



US00D827842S

(12) **United States Design Patent** (10) **Patent No.:** **US D827,842 S**
Bainton et al. (45) **Date of Patent:** **** Sep. 4, 2018**

(54) **SKIN TREATMENT DEVICE WITH ROLLER HEAD**

(56) **References Cited**

U.S. PATENT DOCUMENTS

(71) Applicant: **Reckitt Benckiser (Brands) Limited**,
Slough (GB)

(72) Inventors: **Michael Bainton**, Warwick (GB); **Peter Kay**, Warwick (GB); **Norman Stevenson**, Warwick (GB); **Martin Butler**, Kwun Tong (HK); **ZhiHao Liang**, Guangdong (CN); **Cheung Tsang**, Guangdon (CN)

D377,394 S *	1/1997	Tillman	D24/215
D451,196 S *	11/2001	Block	D24/112
D481,463 S *	10/2003	Cook	D24/200
D484,987 S *	1/2004	Nan	D24/215
D556,332 S *	11/2007	Han	D24/200
D561,343 S *	2/2008	Liang	D24/215
D585,997 S *	2/2009	Adam	D24/107
D594,130 S *	6/2009	Scocimara	D24/133
D637,309 S *	5/2011	Park	D24/215
D638,132 S *	5/2011	Cole	D24/200
D652,919 S *	1/2012	Sherwood	D24/133
D656,620 S *	3/2012	Altshuler	D24/209
D659,843 S *	5/2012	Wang	D24/200
D667,115 S *	9/2012	Caballero	D24/133
D695,903 S *	12/2013	Tamsiran	D24/209
D716,446 S *	10/2014	Bitaraf	D24/146
D734,479 S *	7/2015	Youngquist	D24/158
D737,441 S *	8/2015	Presser	D24/146
D738,516 S *	9/2015	Karim	D24/200

(73) Assignee: **RECKITT BENCKISER (BRANDS) LIMITED**, Slough (GB)

(**) Term: **15 Years**

(21) Appl. No.: **29/609,783**

(22) Filed: **Jul. 5, 2017**

(30) **Foreign Application Priority Data**

Jan. 10, 2017 (EM) 003616309-0001

(51) **LOC (11) Cl.** **28-03**

(52) **U.S. Cl.**
USPC **D24/200**

(58) **Field of Classification Search**

USPC D24/107, 133, 147, 186, 200, 209, 210,
D24/211, 214, 215

CPC A61B 5/441; A61B 5/442; A61B 5/443;
A61B 5/444; A61B 5/445; A61B 18/203;
A61B 5/0008; A61B 5/01; A61B 1/227;
A61N 5/0616; A61N 5/062; A61N
5/0613; A61N 2005/0644; A61F 7/007;
A61F 2007/0086; A61F 2007/0087;
G01K 5/22; G01K 13/00

See application file for complete search history.

(Continued)

Primary Examiner — Wan Laymon

Assistant Examiner — Clint A Samuel

(74) *Attorney, Agent, or Firm* — Troutman Sanders LLP;
Ryan Schneider; Chris Davis

(57) **CLAIM**

The ornamental design for a skin treatment device with roller head, as shown and described.

DESCRIPTION

FIG. 1 is a perspective view of our new design for a skin treatment device with roller head;
FIG. 2 is a back elevation view thereof;
FIG. 3 is a front elevation view thereof;
FIG. 4 is a left side elevation view thereof;
FIG. 5 is a right side elevation view thereof;
FIG. 6 is a top plan view thereof; and,
FIG. 7 is a bottom plan view thereof.

1 Claim, 4 Drawing Sheets



(56)

References Cited

U.S. PATENT DOCUMENTS

D742,003	S *	10/2015	Tasar	D24/146
D747,800	S *	1/2016	Dunleavy	D24/133
D759,261	S *	6/2016	Son	D24/215
D770,635	S *	11/2016	Cole	D24/200
D772,419	S *	11/2016	Courtion	D24/200
D773,061	S *	11/2016	Loebel	D24/200
D780,933	S *	3/2017	Uchida	D24/200
D791,960	S *	7/2017	Guanying	D24/209
D795,423	S *	8/2017	Chen	D24/133
D797,287	S *	9/2017	de Albuquerque	D24/146
D799,694	S *	10/2017	Mori	D24/133
D802,784	S *	11/2017	Lee	D24/215
D819,221	S *	5/2018	Lei	D24/200
2006/0030908	A1 *	2/2006	Powell	A61N 5/0616 607/88
2006/0047330	A1 *	3/2006	Whatcott	A61N 5/0616 607/89
2011/0257521	A1 *	10/2011	Fraden	A61B 5/01 600/438
2012/0197357	A1 *	8/2012	Dewey	A61B 18/203 607/89
2013/0030422	A1 *	1/2013	Krishnan, Sr.	A61N 5/0616 606/9
2013/0030505	A1 *	1/2013	Parent	A61N 5/0616 607/89
2013/0030506	A1 *	1/2013	Bartolone	A61N 5/0616 607/89
2013/0035746	A1 *	2/2013	Bouboulis	A61N 5/0603 607/89
2014/0121631	A1 *	5/2014	Bean	A61N 5/0616 604/500

* cited by examiner

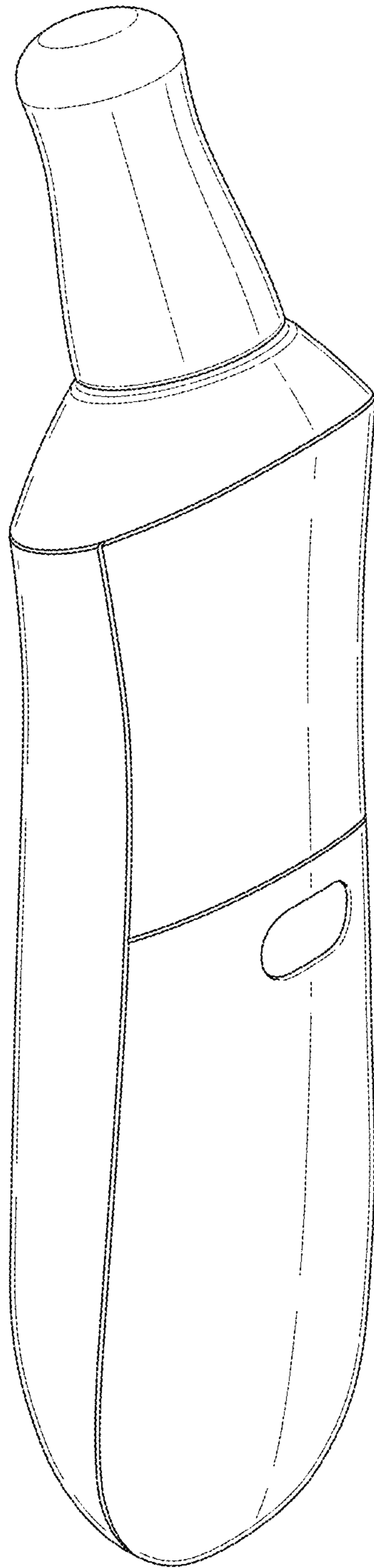


Fig. 1

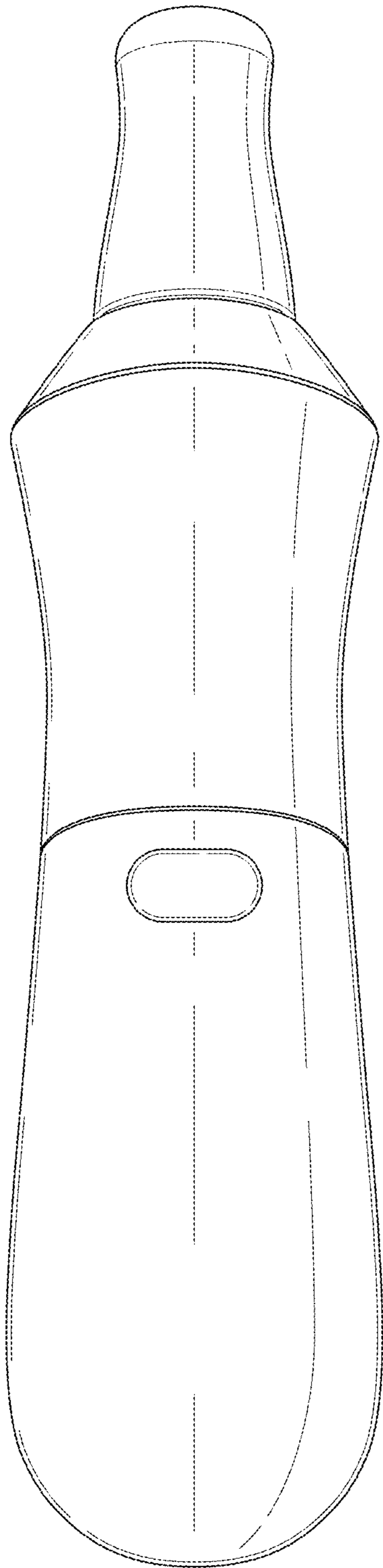


Fig. 2

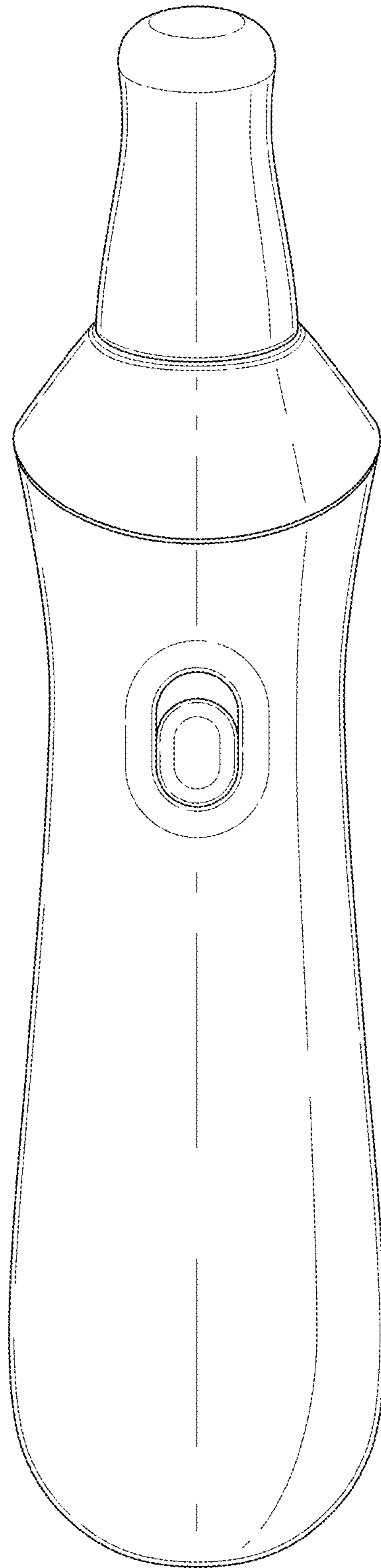


Fig. 3

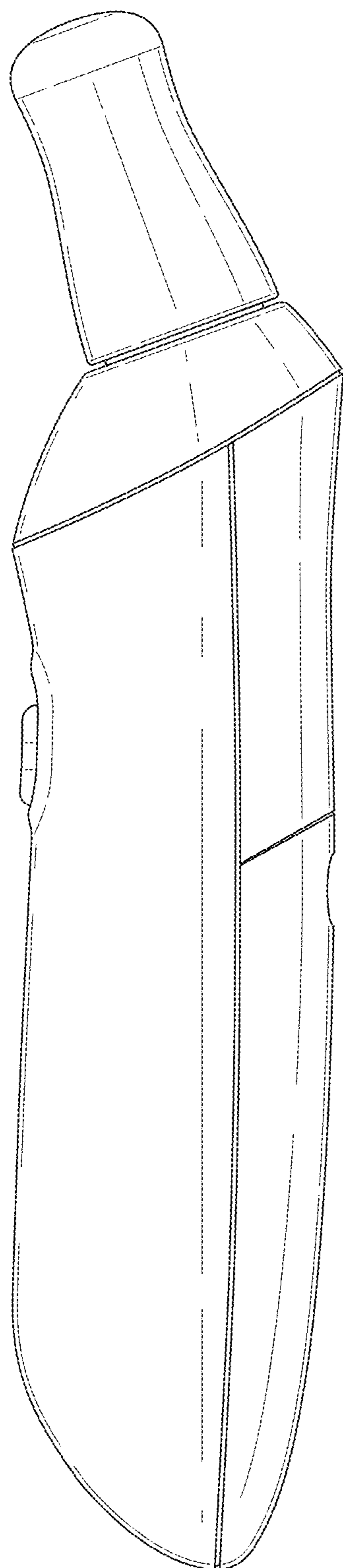


Fig. 4

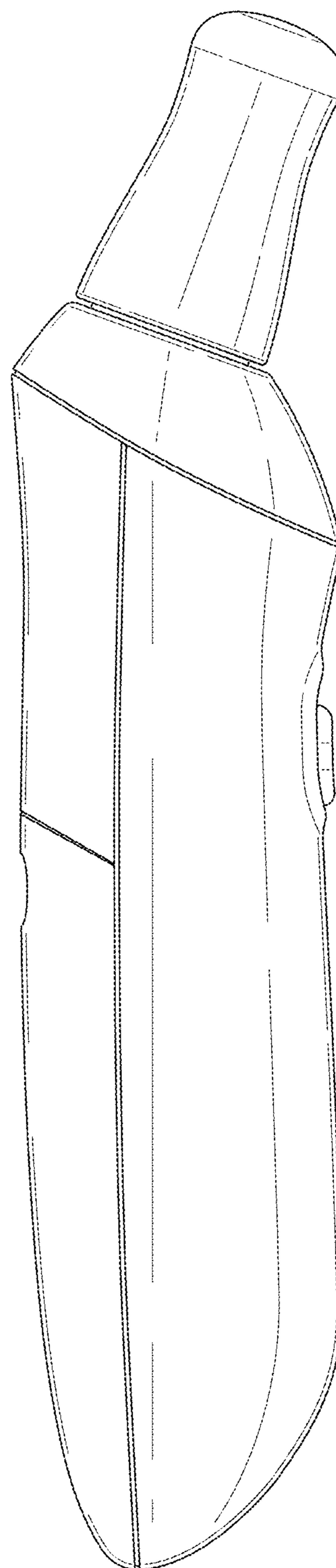


Fig. 5

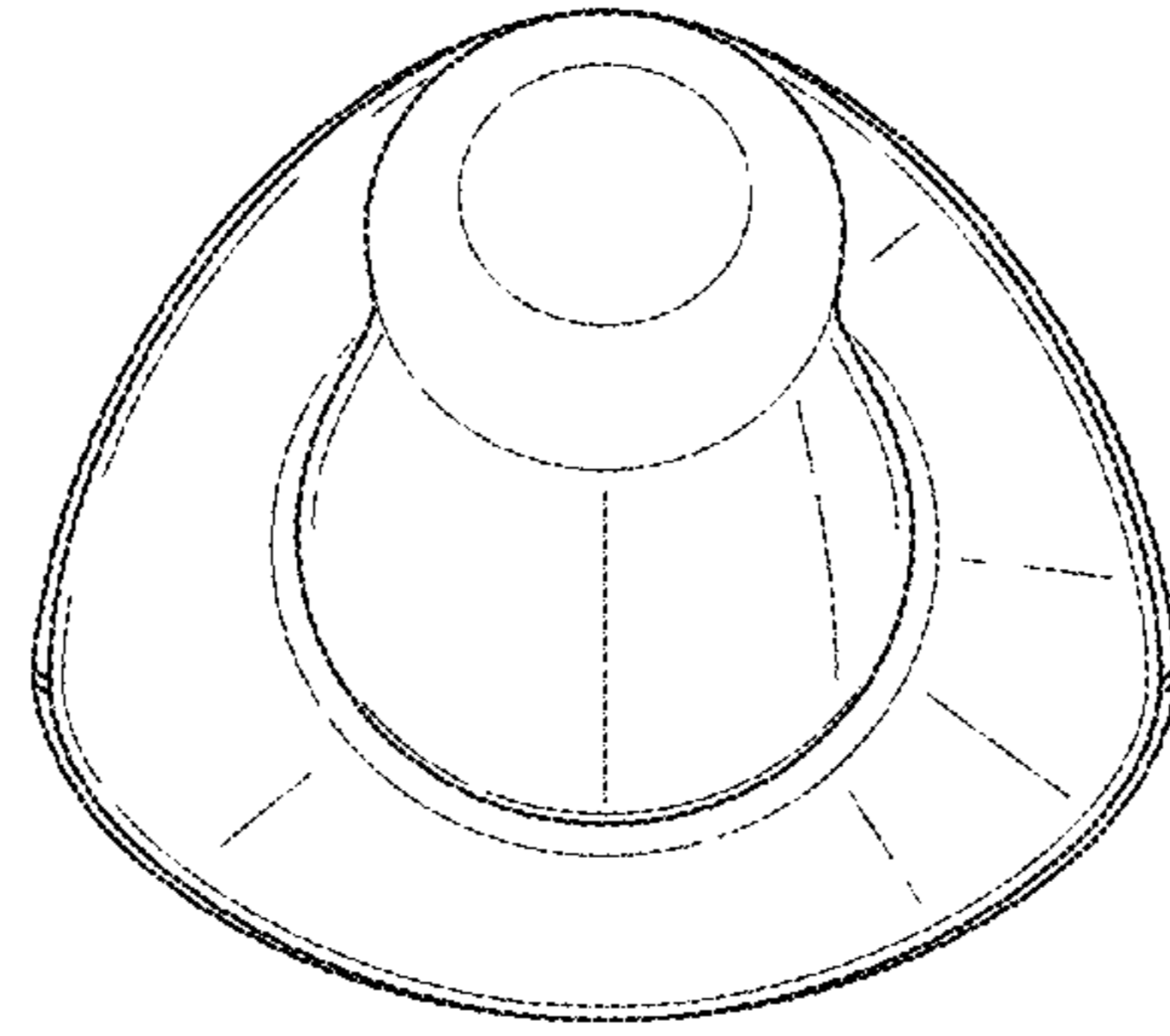


Fig. 6

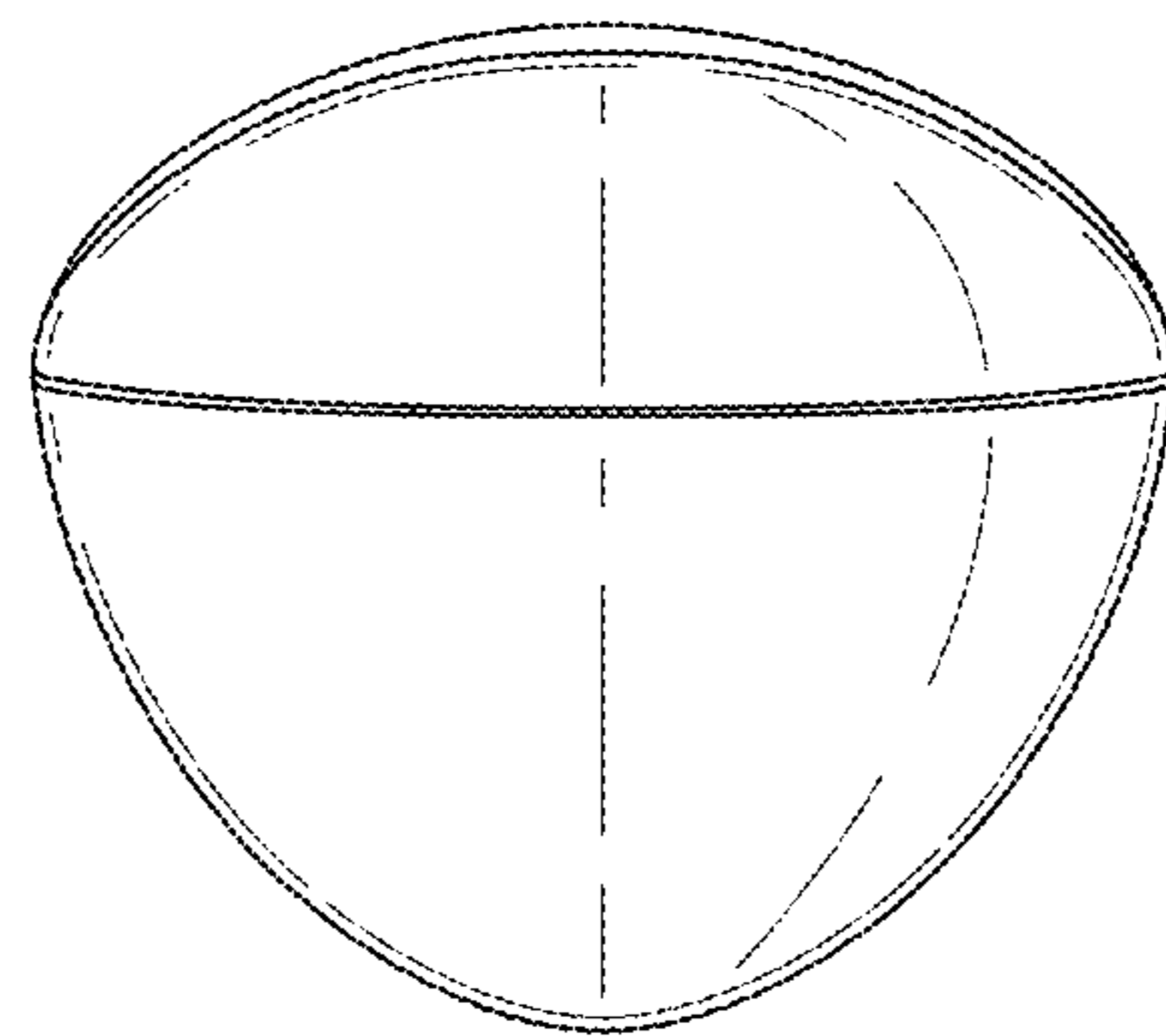


Fig. 7

UNITED STATES PATENT AND TRADEMARK OFFICE
CERTIFICATE OF CORRECTION

PATENT NO. : D827,842 S
APPLICATION NO. : 29/609783
DATED : September 4, 2018
INVENTOR(S) : Michael Bainton et al.

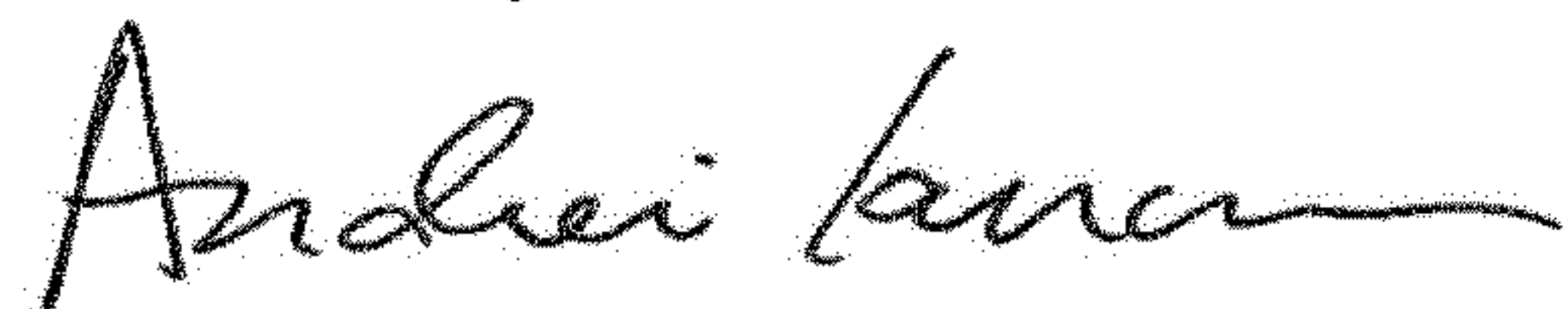
Page 1 of 1

It is certified that error appears in the above-identified patent and that said Letters Patent is hereby corrected as shown below:

On the Title Page

Item (72) Inventors, please replace “Cheung Tsang, Guangdon (CN)” with - Cheung Tsang,
Guangdong (CN) -

Signed and Sealed this
Sixth Day of November, 2018



Andrei Iancu
Director of the United States Patent and Trademark Office