



US00D827839S

(12) **United States Design Patent** (10) **Patent No.:** **US D827,839 S**  
**Vogel et al.** (45) **Date of Patent:** **\*\* Sep. 4, 2018**

(54) **MEDICAL DEVICE**  
(71) Applicant: **DermaGenesis, LLC**, Miami, FL (US)  
(72) Inventors: **Richard Vogel**, Miami, FL (US); **David Vogel**, Miami, FL (US); **Kobi Kor**, Ramat Hasharon (IL)  
(73) Assignee: **DERMAGENESIS LLC**, Miami, FL (US)  
(\*\*) Term: **15 Years**  
(21) Appl. No.: **29/615,647**  
(22) Filed: **Aug. 30, 2017**  
(51) **LOC (11) Cl.** ..... **24-02**  
(52) **U.S. Cl.**  
USPC ..... **D24/186**  
(58) **Field of Classification Search**  
USPC ..... D24/127, 133, 146, 147, 184, 108, 112, D24/117, 118, 130, 135, 137, 138, 140, D24/158, 159, 160, 172, 173, 174, 175, D24/176, 185, 186, 231  
CPC ..... A61L 27/362; A61L 27/60; A61B 17/322; A61B 10/00; A61B 5/0059; A61B 5/445; A61B 5/72; A61B 2017/00747; A61B 2017/00761; G06T 2207/10072; G06T 2207/20036; A61H 23/0263; A61H 59/0057  
See application file for complete search history.

D663,459 S \* 7/2012 Wauters ..... D26/68  
D700,964 S \* 3/2014 Krishnan ..... D10/81  
D746,465 S \* 12/2015 Du ..... D24/158  
D747,461 S \* 1/2016 Tam ..... D24/110.1  
D756,517 S \* 5/2016 Sagalovich ..... D24/137  
D785,788 S \* 5/2017 Nguyen ..... D24/127  
D796,050 S \* 8/2017 Nishikawa ..... D24/186  
D802,116 S \* 11/2017 Smutney ..... D24/110  
D816,215 S \* 4/2018 Dolgin ..... D24/127  
D822,214 S \* 7/2018 Iles ..... D24/186  
D822,216 S \* 7/2018 Barker ..... D24/186  
D822,217 S \* 7/2018 Sebban ..... D24/186

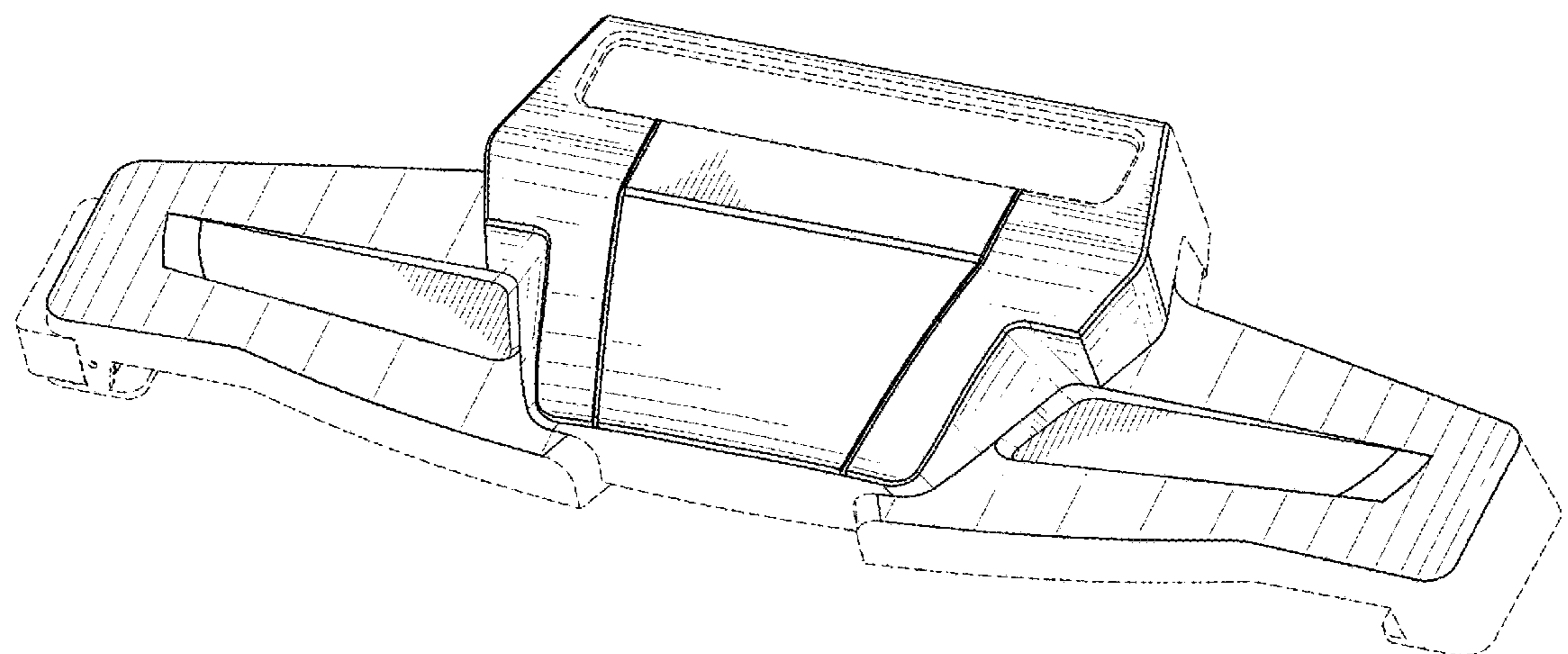
\* cited by examiner  
*Primary Examiner* — Cathron C Brooks  
*Assistant Examiner* — Samantha Q. Lawrence  
(74) *Attorney, Agent, or Firm* — W&C IP

(57) **CLAIM**  
What is claimed is the ornamental design for medical device, as shown and described.

**DESCRIPTION**  
FIG. 1 is a first perspective view of a medical device. FIG. 2 is a second perspective view of the medical device. FIG. 3 is a front elevational view of the medical device. FIG. 4 is an enlarged left side elevational view of the medical device. FIG. 5 is an enlarged right side elevational view of the medical device. FIG. 6 is a top plan view of the medical device; and, FIG. 7 is a bottom plan view of the medical device. The broken lines depict portions of the medical device that form no part of the claimed design.

(56) **References Cited**  
U.S. PATENT DOCUMENTS  
D636,082 S \* 4/2011 Cote ..... D24/147  
D660,962 S \* 5/2012 Detry ..... D24/146

**1 Claim, 7 Drawing Sheets**



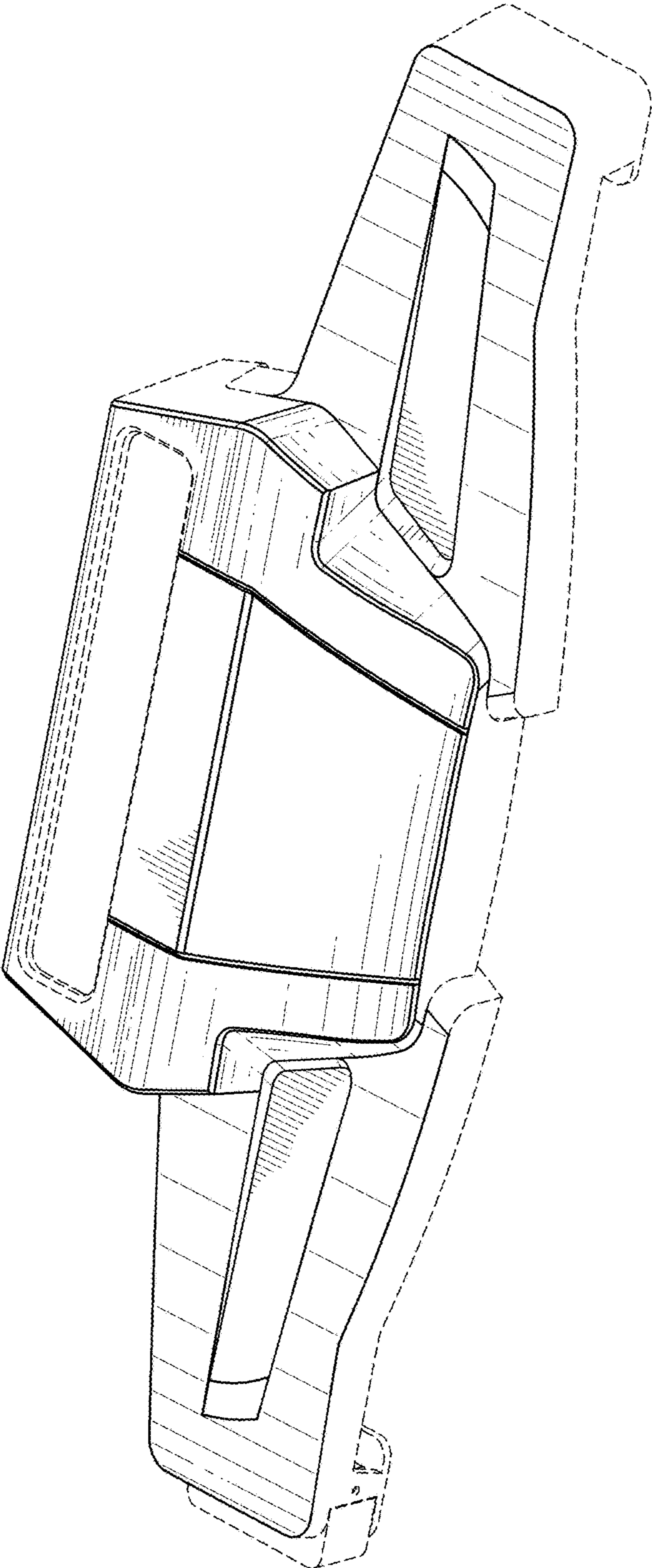


FIG.1

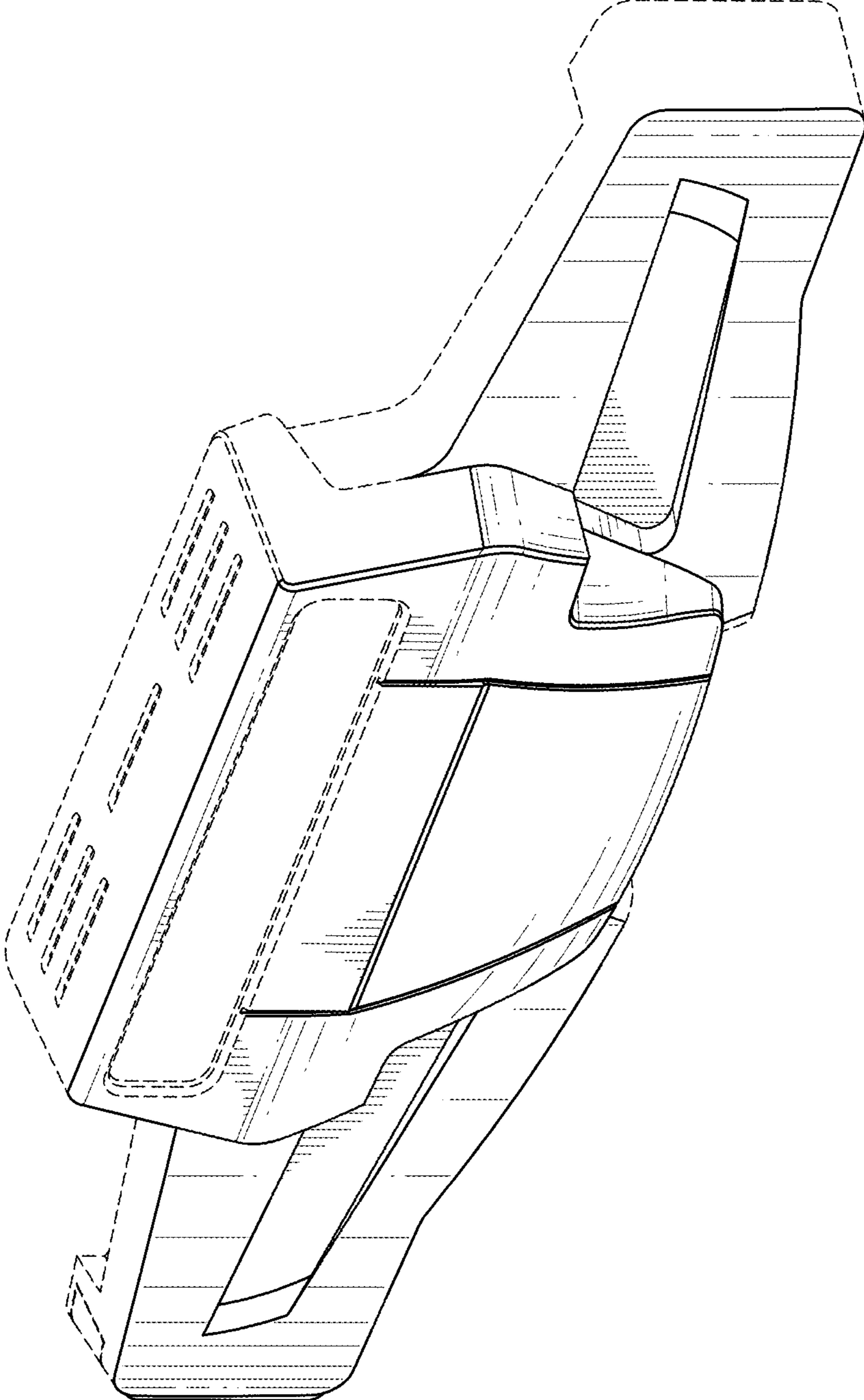


FIG. 2

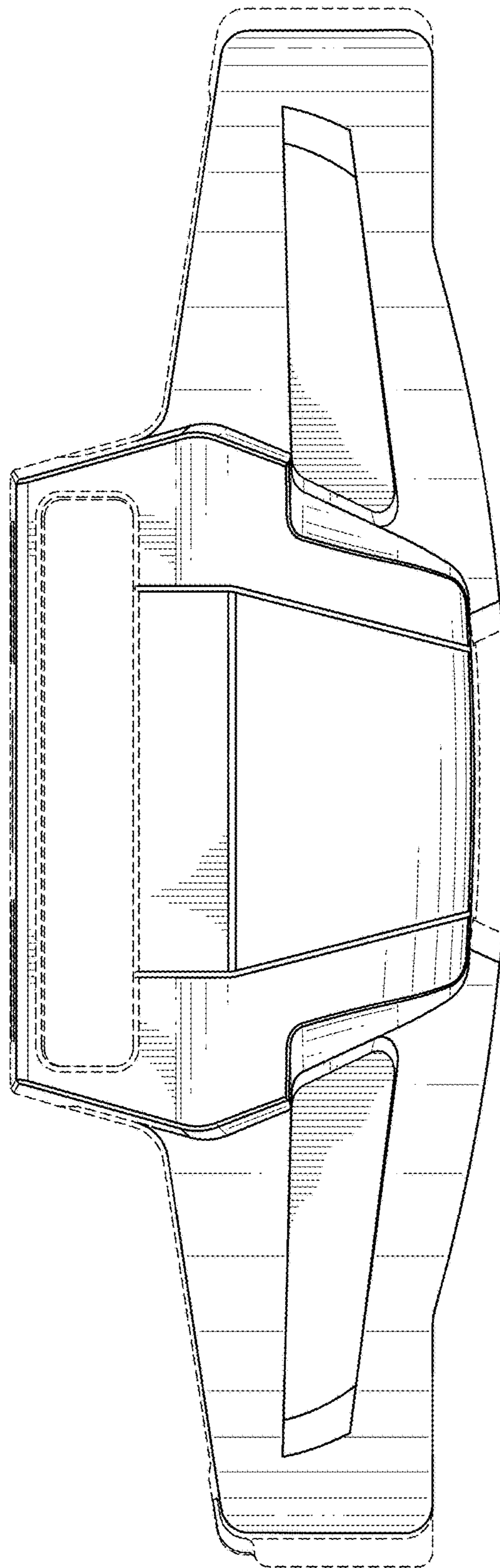


FIG. 3

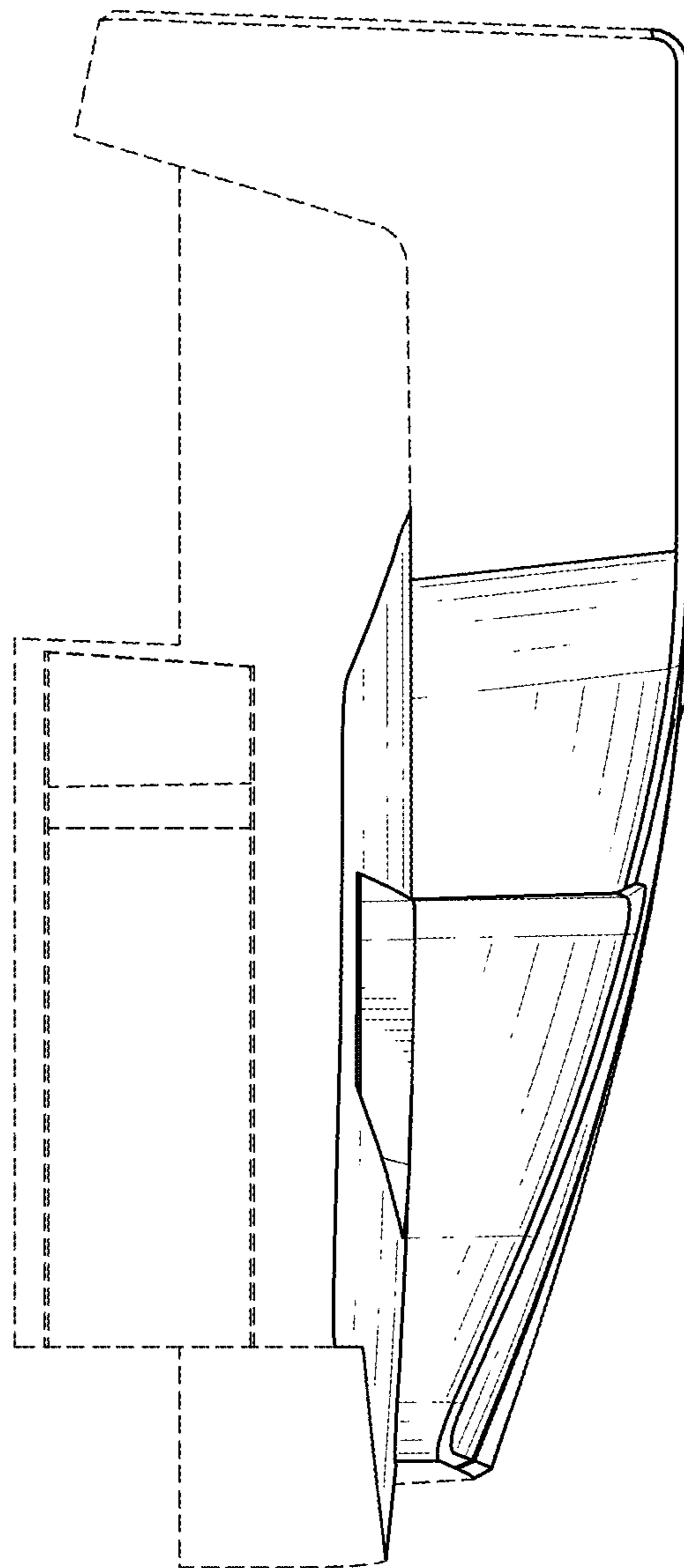


FIG.4

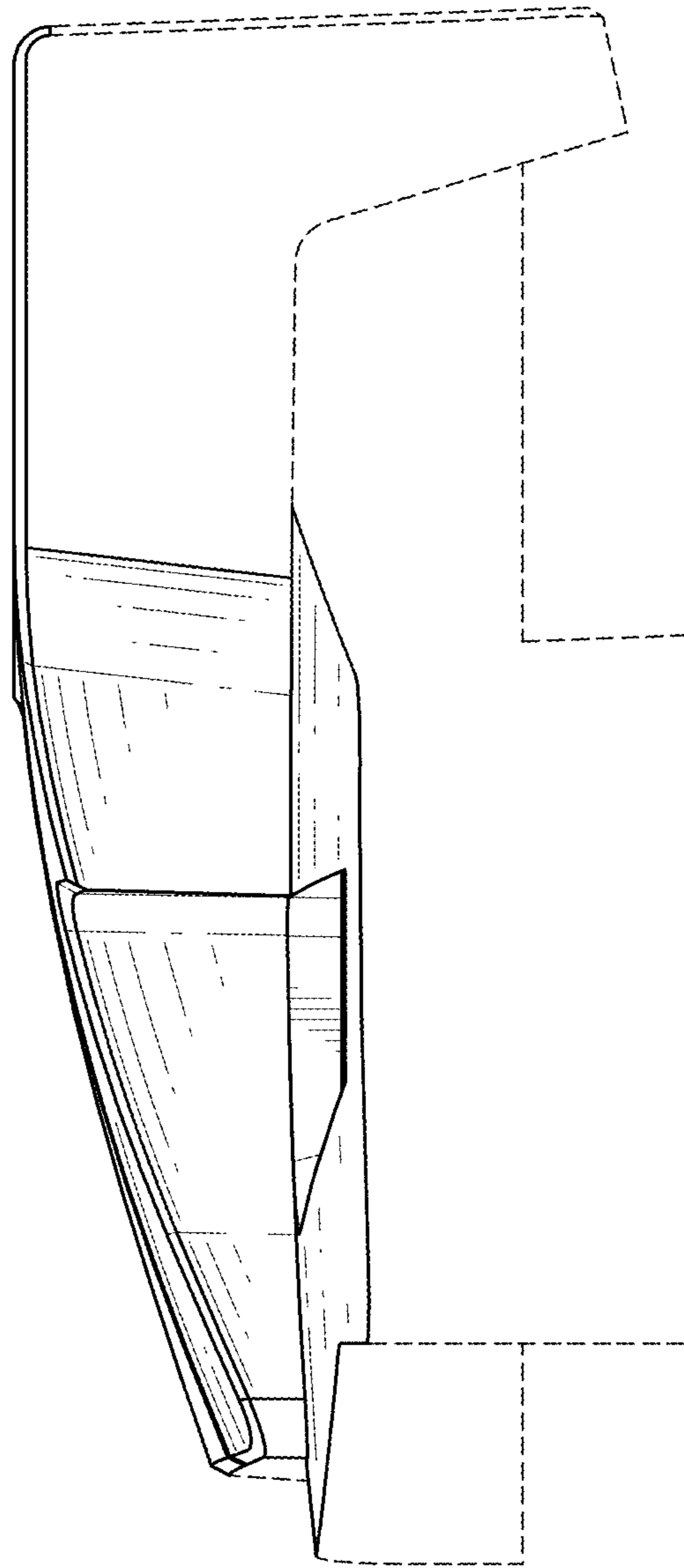


FIG. 5

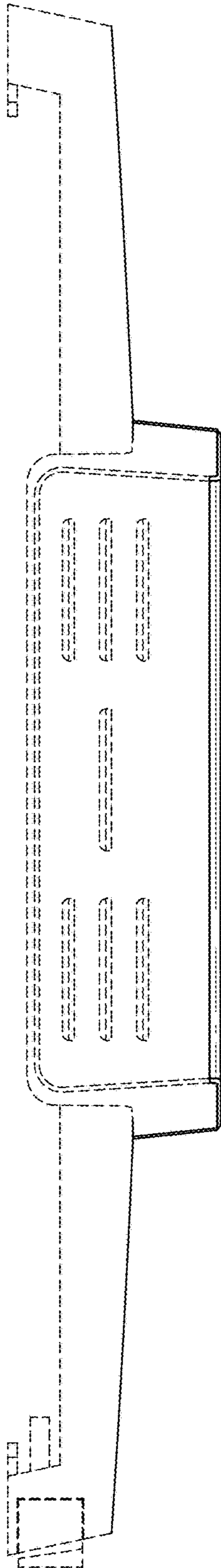


FIG. 6

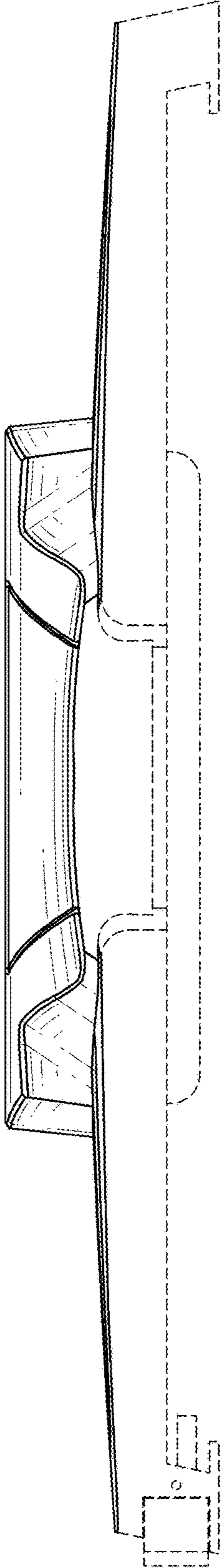


FIG. 7