



US00D827837S

(12) **United States Design Patent**  
**Pascal et al.**

(10) **Patent No.:** **US D827,837 S**  
(45) **Date of Patent:** **\*\* Sep. 4, 2018**

(54) **DIGITAL DENTAL X-RAY**  
(71) Applicant: **E2V SEMICONDUCTORS**, Saint Egreve (FR)  
(72) Inventors: **Nathalie Pascal**, Le Sappey en Chartreuse (FR); **David Perennez**, Grenoble (FR)  
(73) Assignee: **TELEDYNE E2V SEMICONDUCTORS SAS**, Saint-Egrève (FR)

D504,722 S \* 5/2005 Cianciosi ..... D24/158  
D624,189 S \* 9/2010 Rutt ..... D24/158  
D629,524 S \* 12/2010 Zeller ..... D24/158  
7,972,060 B2 \* 7/2011 Guichard ..... A61B 6/145  
250/370.09  
2006/0257816 A1 \* 11/2006 Klemola ..... A61B 6/145  
433/29  
2009/0034687 A1 \* 2/2009 Ayraud ..... A61B 6/145  
378/168  
2010/0107398 A1 \* 5/2010 Girard ..... A61B 6/145  
29/525

(\*\*) Term: **15 Years**

\* cited by examiner

(21) Appl. No.: **29/584,965**

*Primary Examiner* — Anhdao Doan

(22) Filed: **Nov. 18, 2016**

(74) *Attorney, Agent, or Firm* — Baker & Hostetler LLP

(30) **Foreign Application Priority Data**

Nov. 17, 2016 (EM) ..... 003467109-0001

(51) **LOC (11) Cl.** ..... **24-01**

(52) **U.S. Cl.**  
USPC ..... **D24/186; D24/158**

(58) **Field of Classification Search**  
USPC ..... D24/185, 186, 187, 107, 108, 158-161, D24/152, 176, 177  
CPC ..... A61B 2019/0248; A61B 2019/025; A61B 8/42; G03B 42/42; G03B 42/025; G03B 42/042

See application file for complete search history.

(56) **References Cited**

**U.S. PATENT DOCUMENTS**

D361,619 S \* 8/1995 Phleps ..... D24/158  
D478,666 S \* 8/2003 Cianciosi ..... D24/158

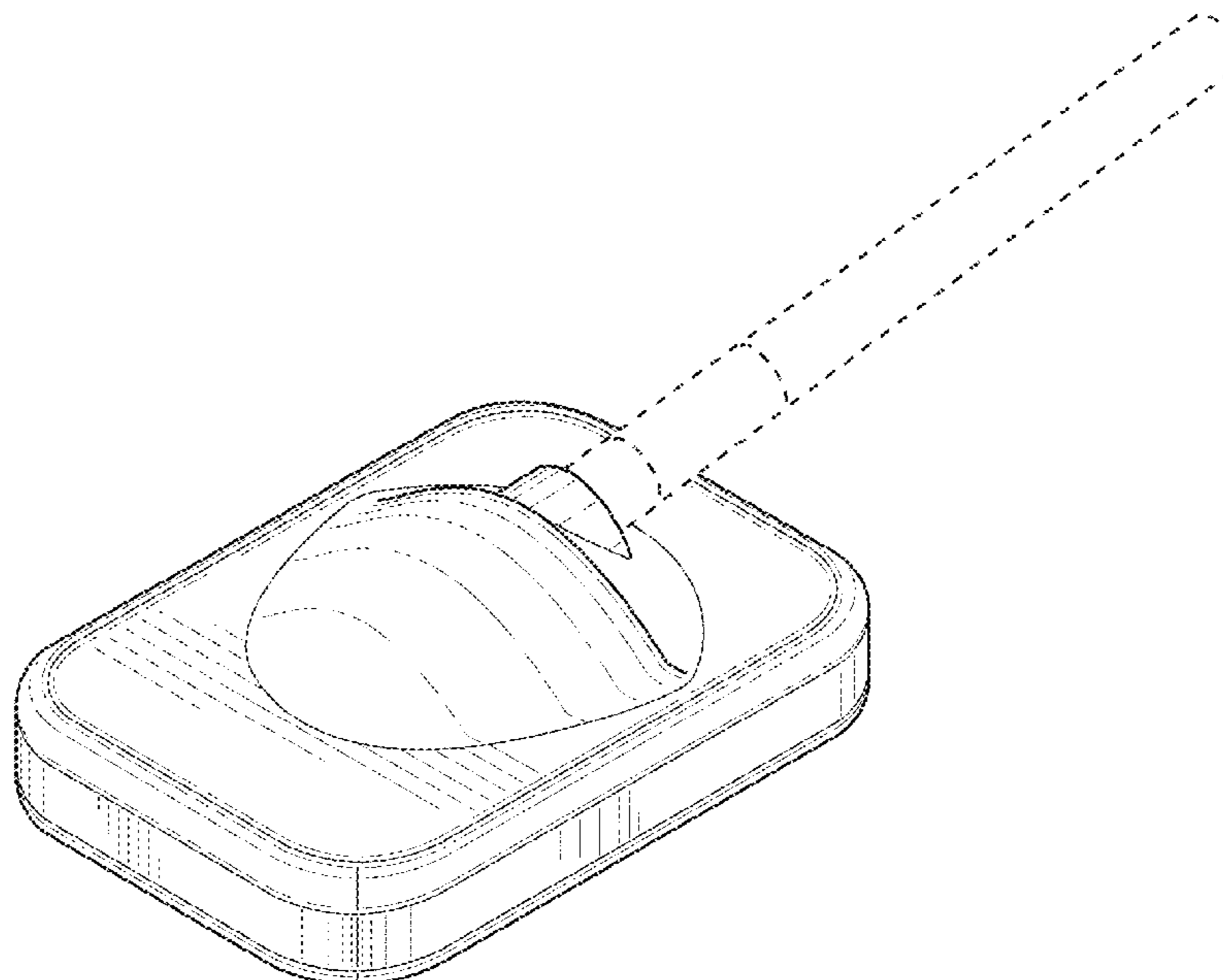
(57) **CLAIM**

The ornamental design for a digital dental X-ray, as shown and described.

**DESCRIPTION**

FIG. 1 is a front left view of a digital dental X-ray showing our new design;  
FIG. 2 is a right side view thereof;  
FIG. 3 is a left side view thereof;  
FIG. 4 is a front view thereof;  
FIG. 5 is a rear view thereof;  
FIG. 6 is a top view thereof; and,  
FIG. 7 is a bottom view thereof.  
The broken lines represent environmental structure and form no part of the claimed design.

**1 Claim, 4 Drawing Sheets**



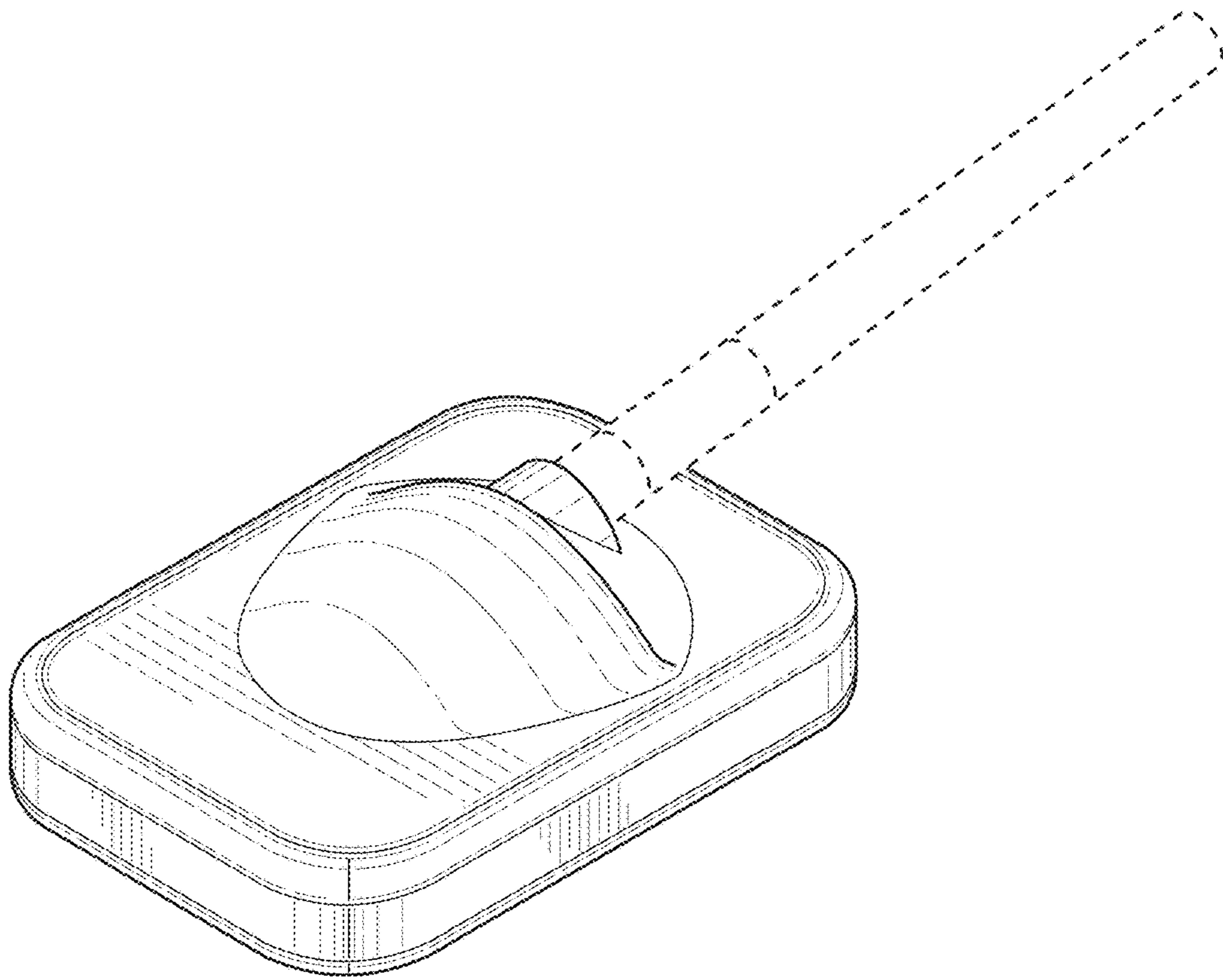


FIG. 1

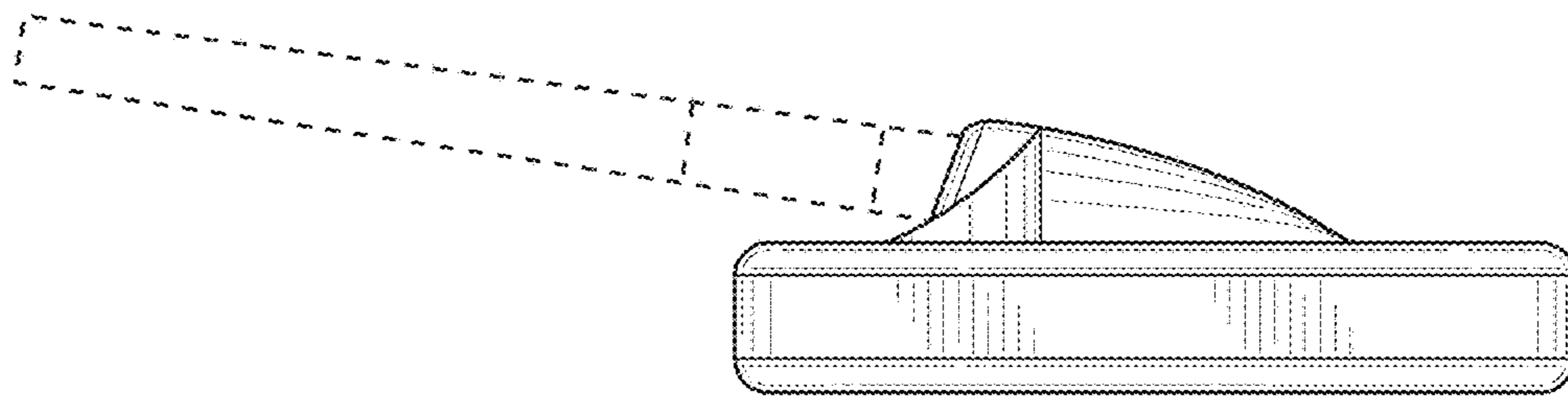


FIG. 2

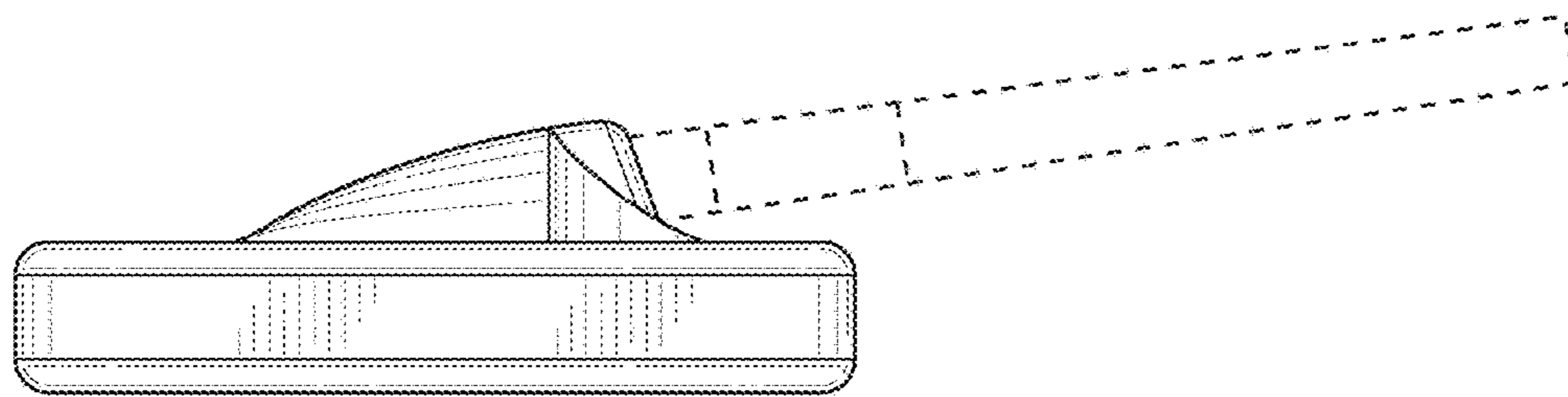


FIG. 3

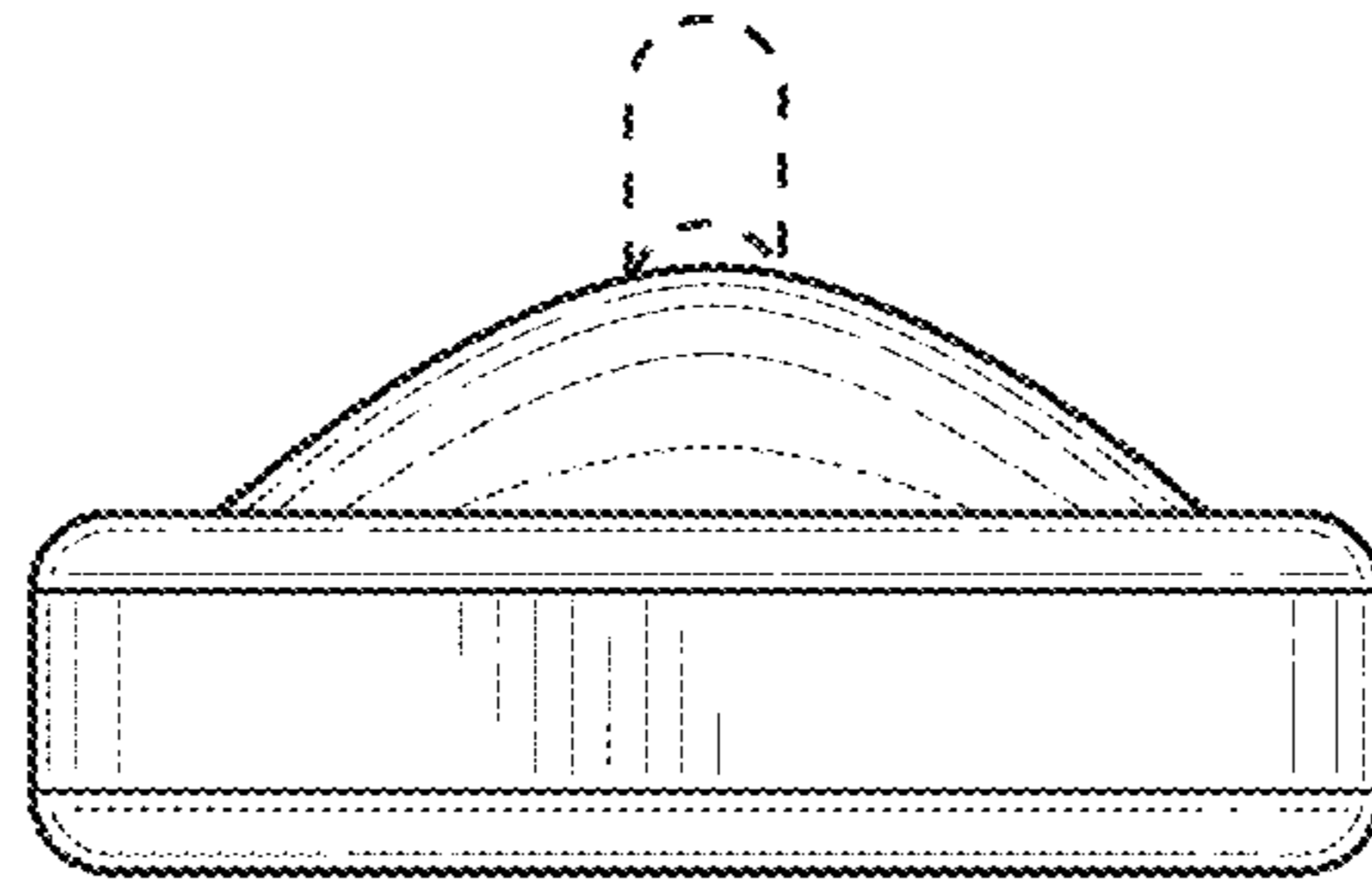


FIG. 4

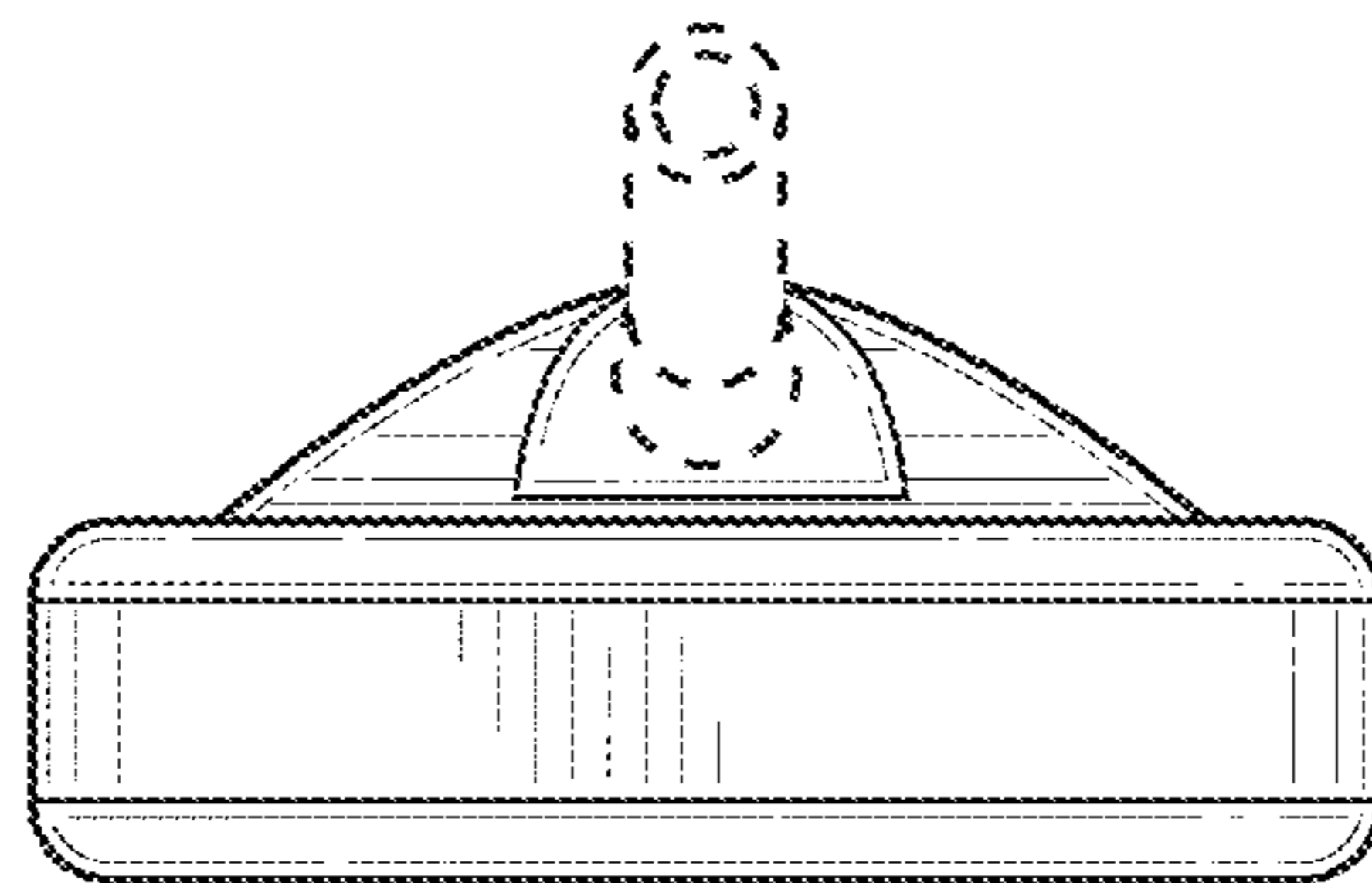


FIG. 5

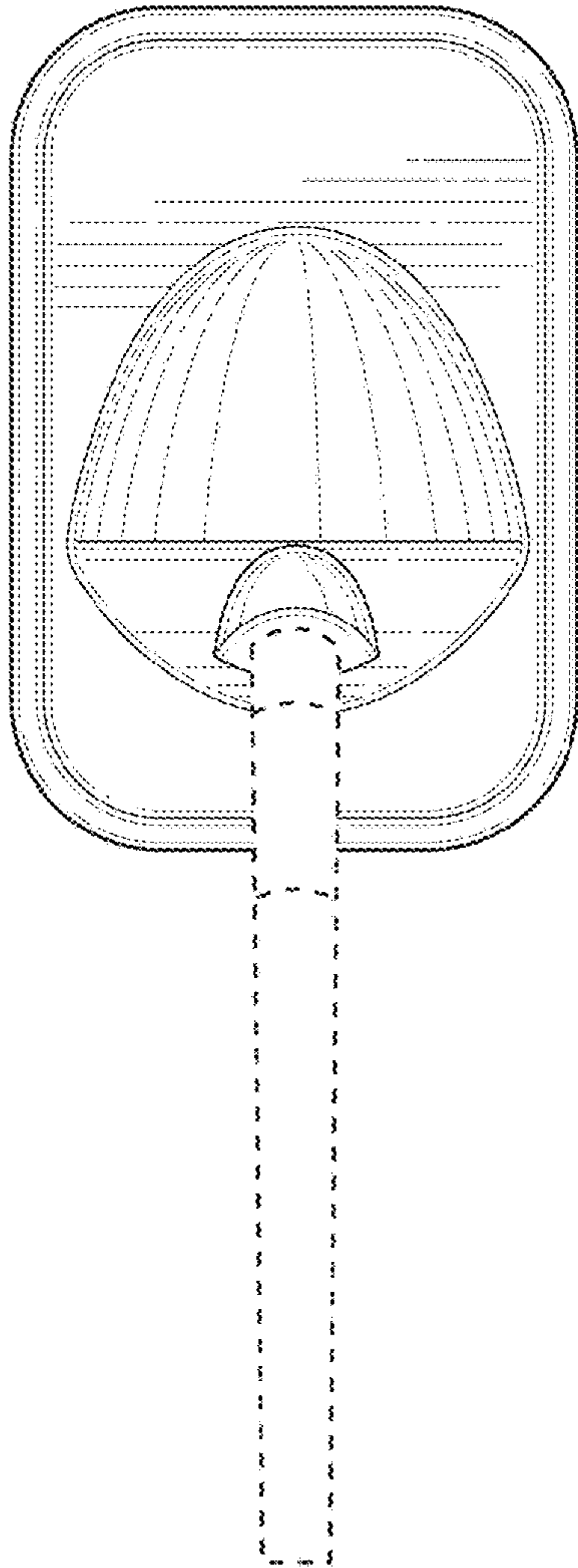


FIG. 6

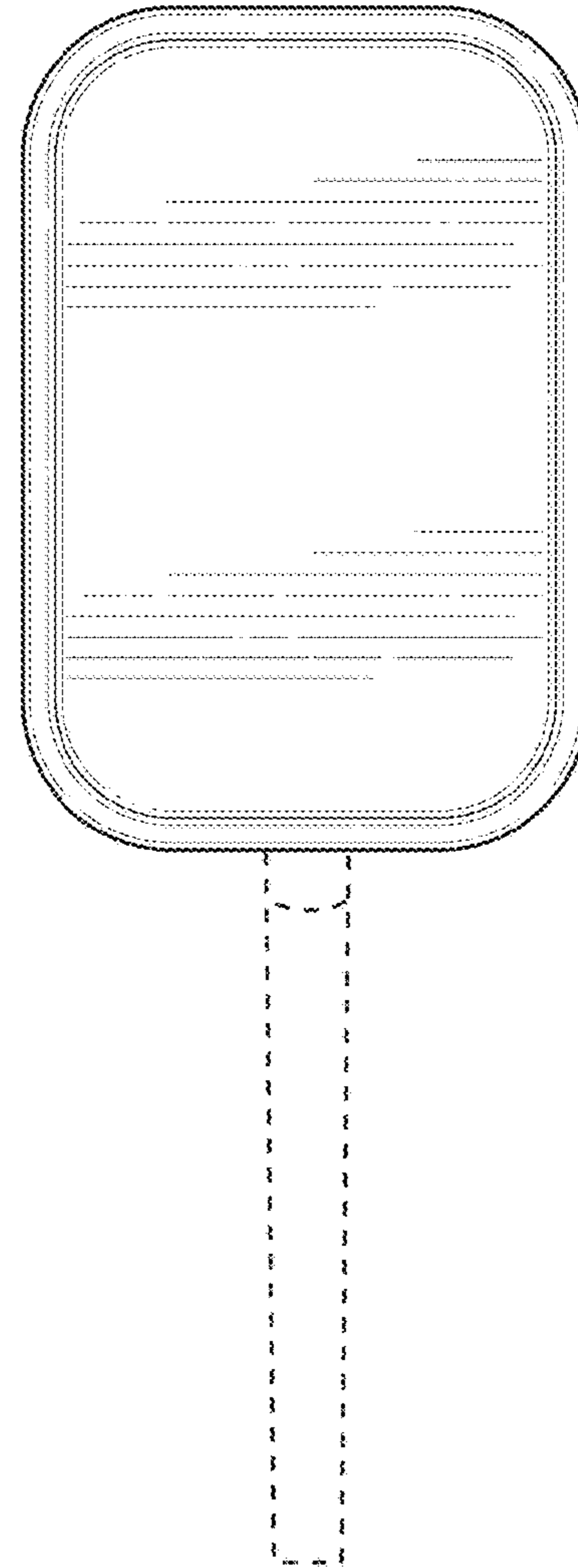


FIG. 7