



US00D827835S

(12) **United States Design Patent**
Bocala

(10) **Patent No.:** **US D827,835 S**
(45) **Date of Patent:** **** Sep. 4, 2018**

(54) **ORAL SLEEP APNEA AND SNORING
DEVICE**

(71) Applicant: **Philip Bocala**, San Diego, CA (US)

(72) Inventor: **Philip Bocala**, San Diego, CA (US)

(**) Term: **15 Years**

(21) Appl. No.: **29/594,807**

(22) Filed: **Feb. 22, 2017**

(51) **LOC (11) Cl.** **24-02**

(52) **U.S. Cl.**
USPC **D24/180**

(58) **Field of Classification Search**
USPC D24/180-181, 176
CPC A61F 5/566; A61F 5/56; Y10S 602/902;
A61C 7/36
See application file for complete search history.

(56) **References Cited**

U.S. PATENT DOCUMENTS

7,810,502 B1 *	10/2010	Nguyen	A61F 5/566 128/848
D639,440 S *	6/2011	Raad	D24/180
8,517,029 B2 *	8/2013	Nelissen	A61F 5/566 128/848
D704,843 S *	5/2014	Singh	D24/180
2013/0112210 A1 *	5/2013	Stein	A61F 5/566 128/848
2015/0182374 A1 *	7/2015	Stenberg	A61F 5/566 128/848
2015/0272773 A1 *	10/2015	Rico	A61F 5/566 128/848

* cited by examiner

Primary Examiner — Wan Laymon

(74) *Attorney, Agent, or Firm* — D. Whitlow Bivens;
Musick, Peeler + Garrett, LLP

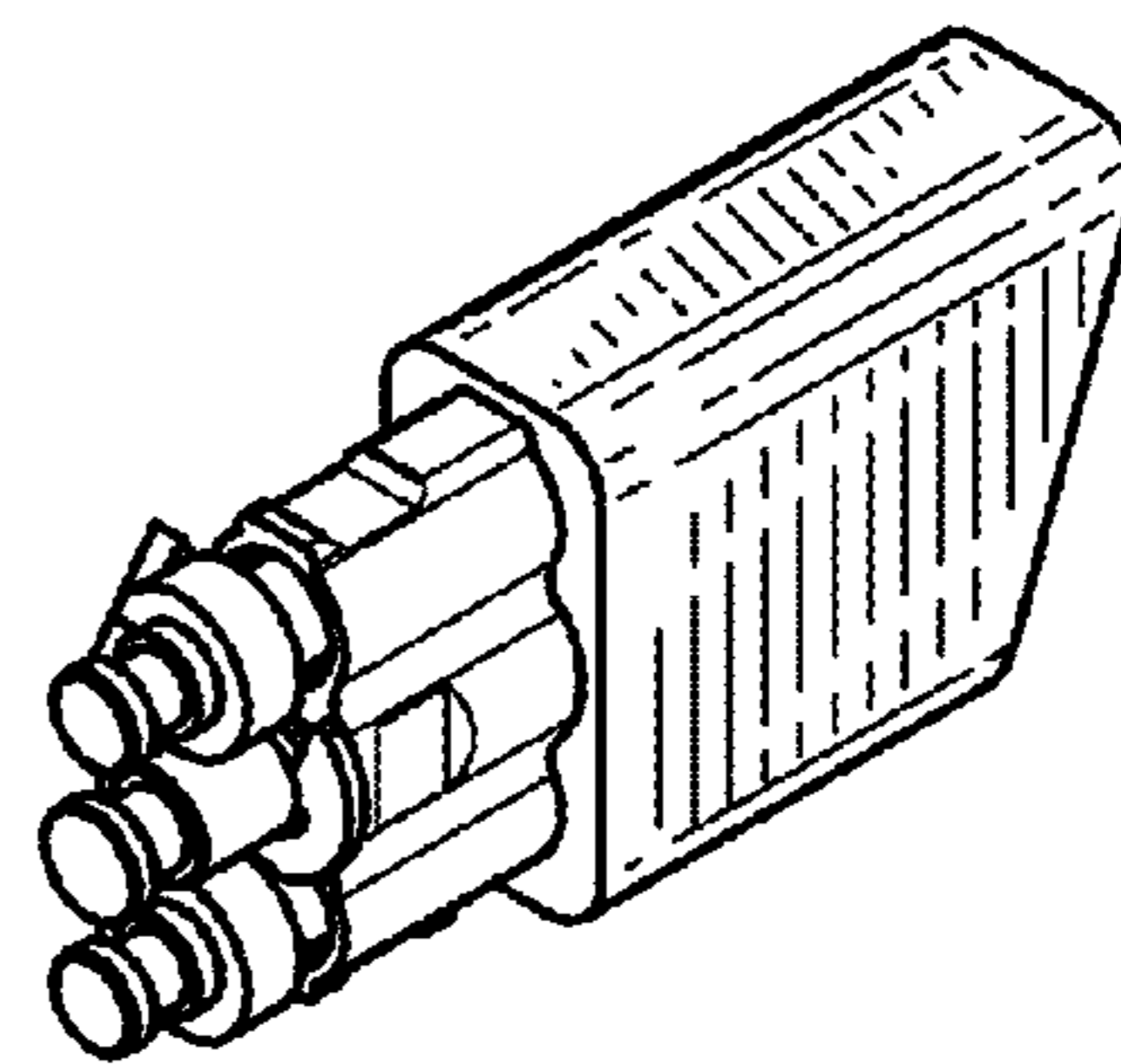
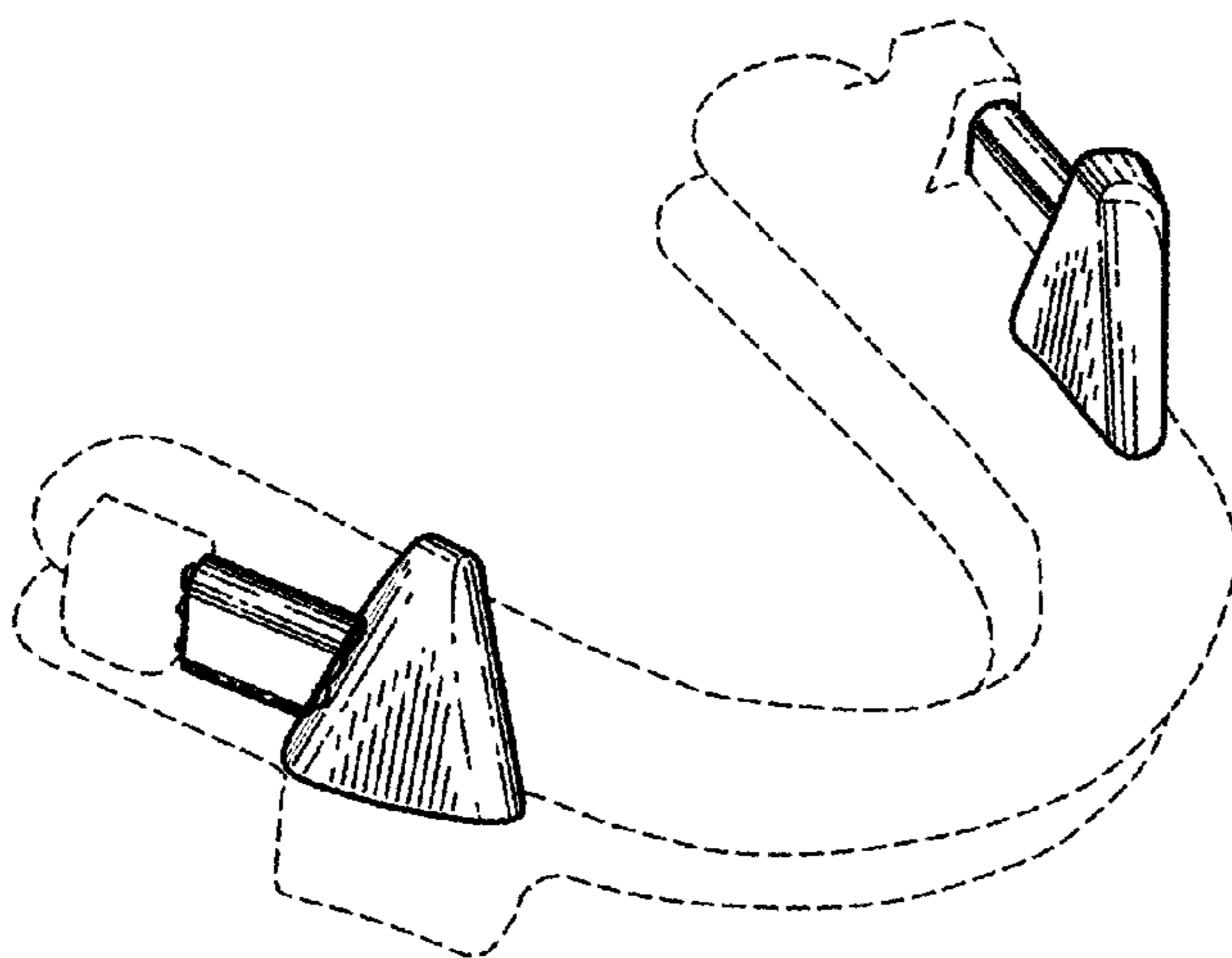
(57) **CLAIM**

The ornamental design for an oral sleep apnea and snoring device, as shown and described.

DESCRIPTION

FIG. 1 is a perspective view of an oral sleep apnea and snoring device showing my new design;
 FIG. 2 is front view thereof;
 FIG. 3 is a side view thereof;
 FIG. 4 is a top plan view thereof;
 FIG. 5 is a bottom plan view thereof;
 FIG. 6 is a rear view thereof;
 FIG. 7 is a perspective view of a first component thereof;
 FIG. 8 is a perspective view of a second component thereof;
 FIG. 9 is a perspective view of a third component thereof;
 FIG. 10 is a side view of the third component thereof shown in FIG. 9;
 FIG. 11 is a front view of the third component thereof shown in FIGS. 9 & 10 and a bottom portion of a fourth component shown in FIGS. 14-19;
 FIG. 12 is a top plan view of the third component thereof shown in FIGS. 9-11;
 FIG. 13 is a bottom view of the third component thereof shown in FIGS. 9-12 and a bottom portion of a fourth component thereof shown in FIGS. 14-19;
 FIG. 14 is a perspective view of a fourth component thereof;
 FIG. 15 is a side view of a fourth component thereof;
 FIG. 16 is a top plan view of a fourth component thereof;
 FIG. 17 is a rear view of a fourth component thereof;
 FIG. 18 is a front view of a fourth component thereof; and,
 FIG. 19 is a bottom plan view of a fourth component thereof.
 In the drawings, the broken lines depict environmental subject matter only and form no part of the claimed design.

1 Claim, 3 Drawing Sheets



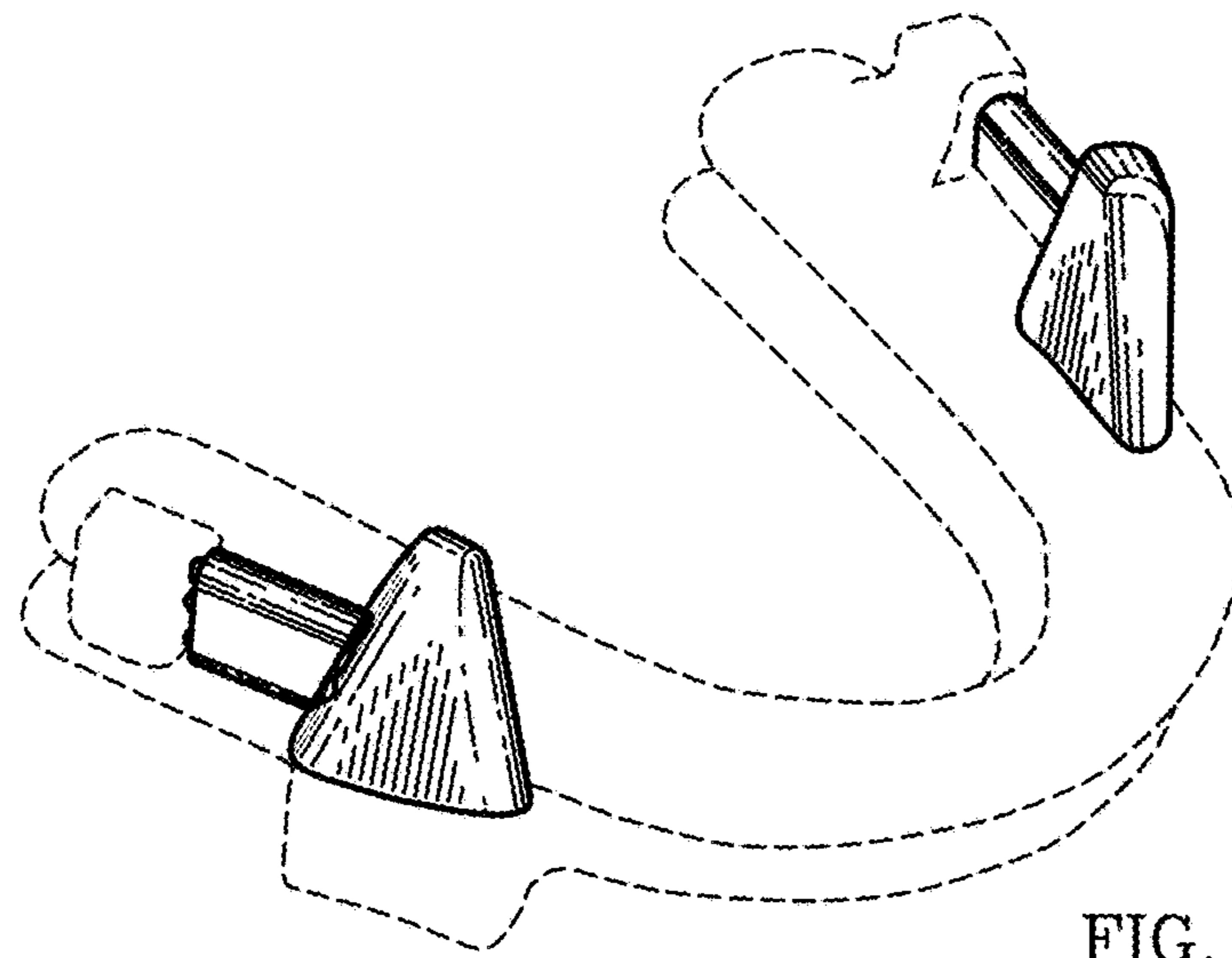


FIG. 1

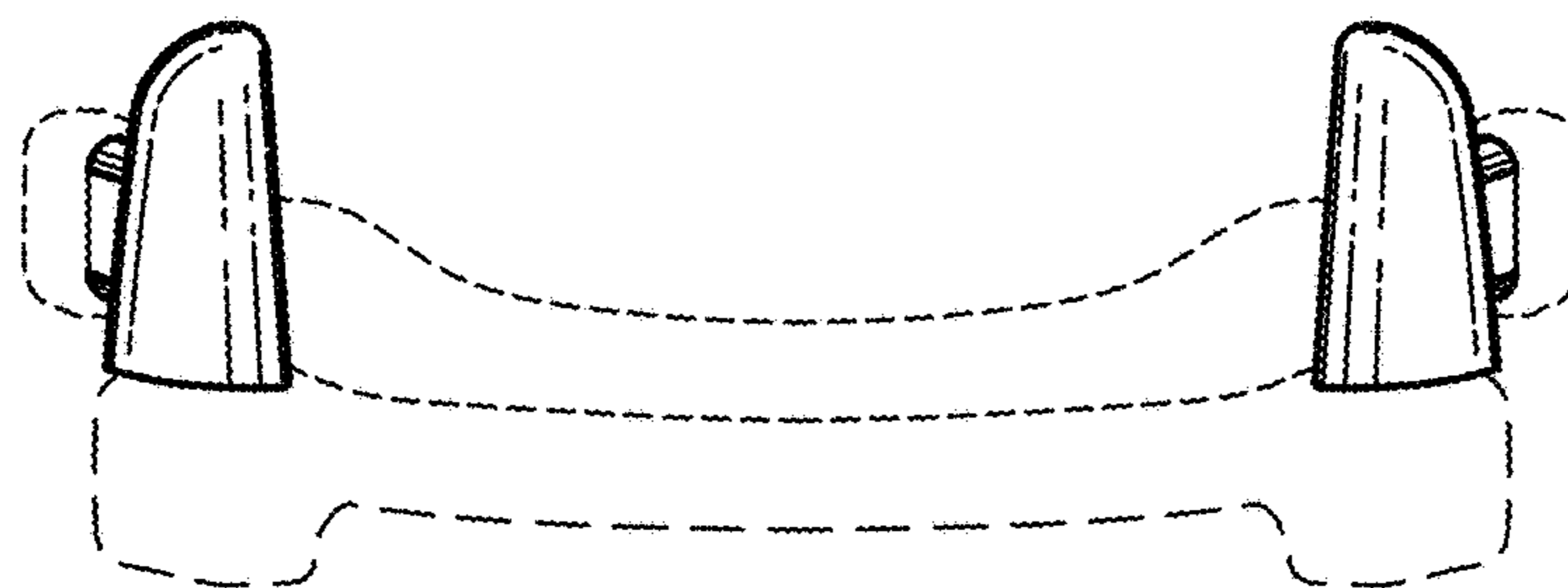


FIG. 2

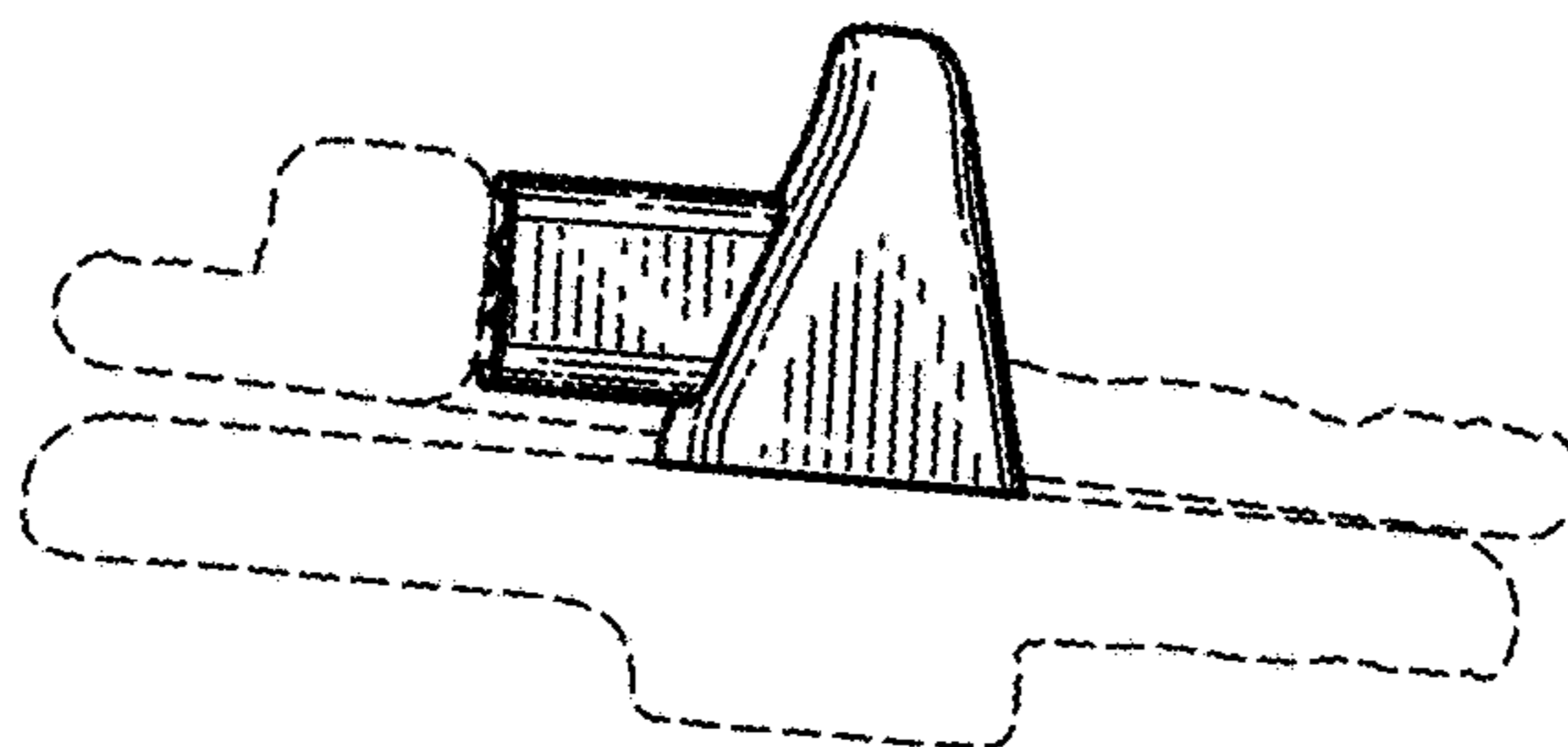


FIG. 3

FIG. 4

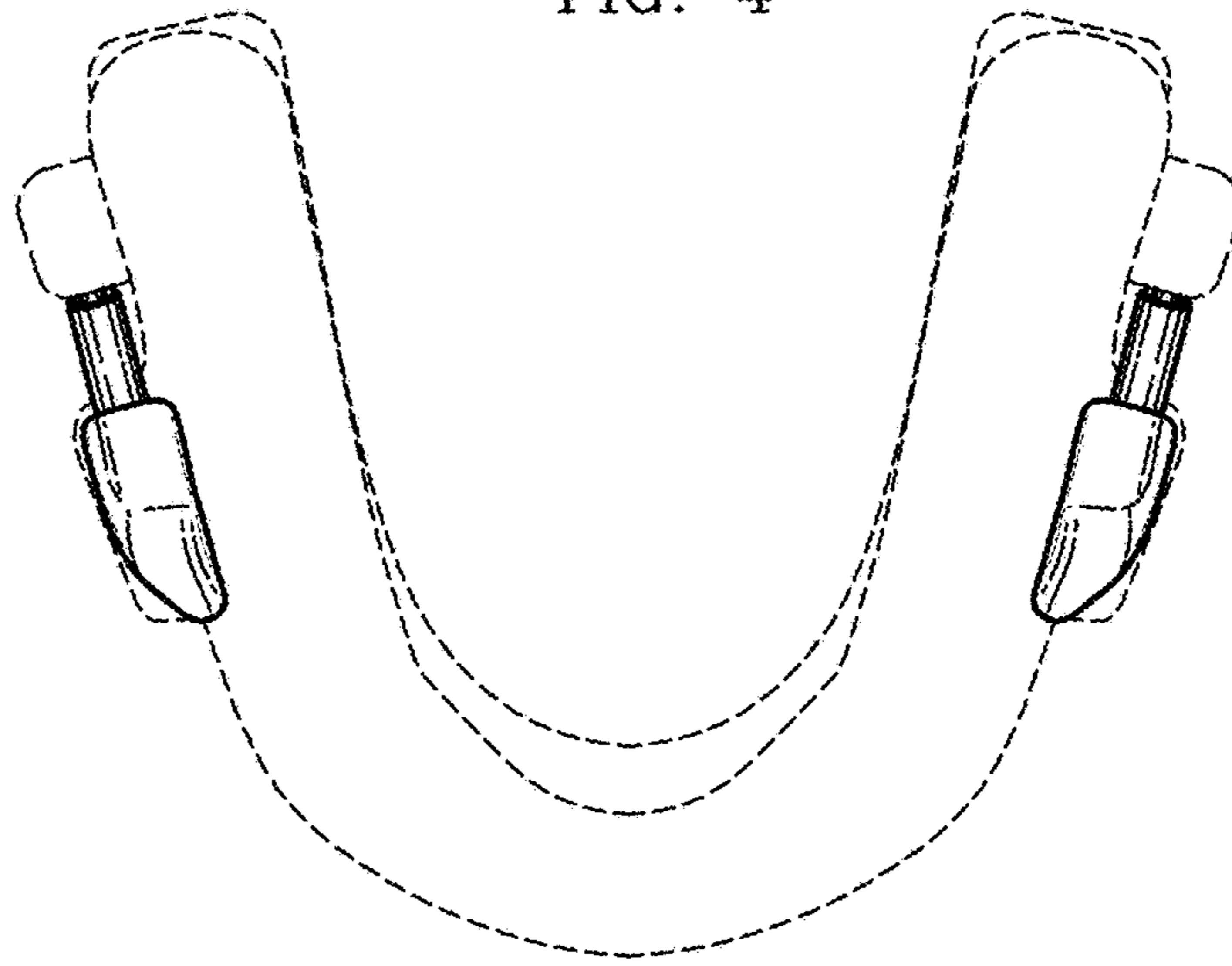


FIG. 5

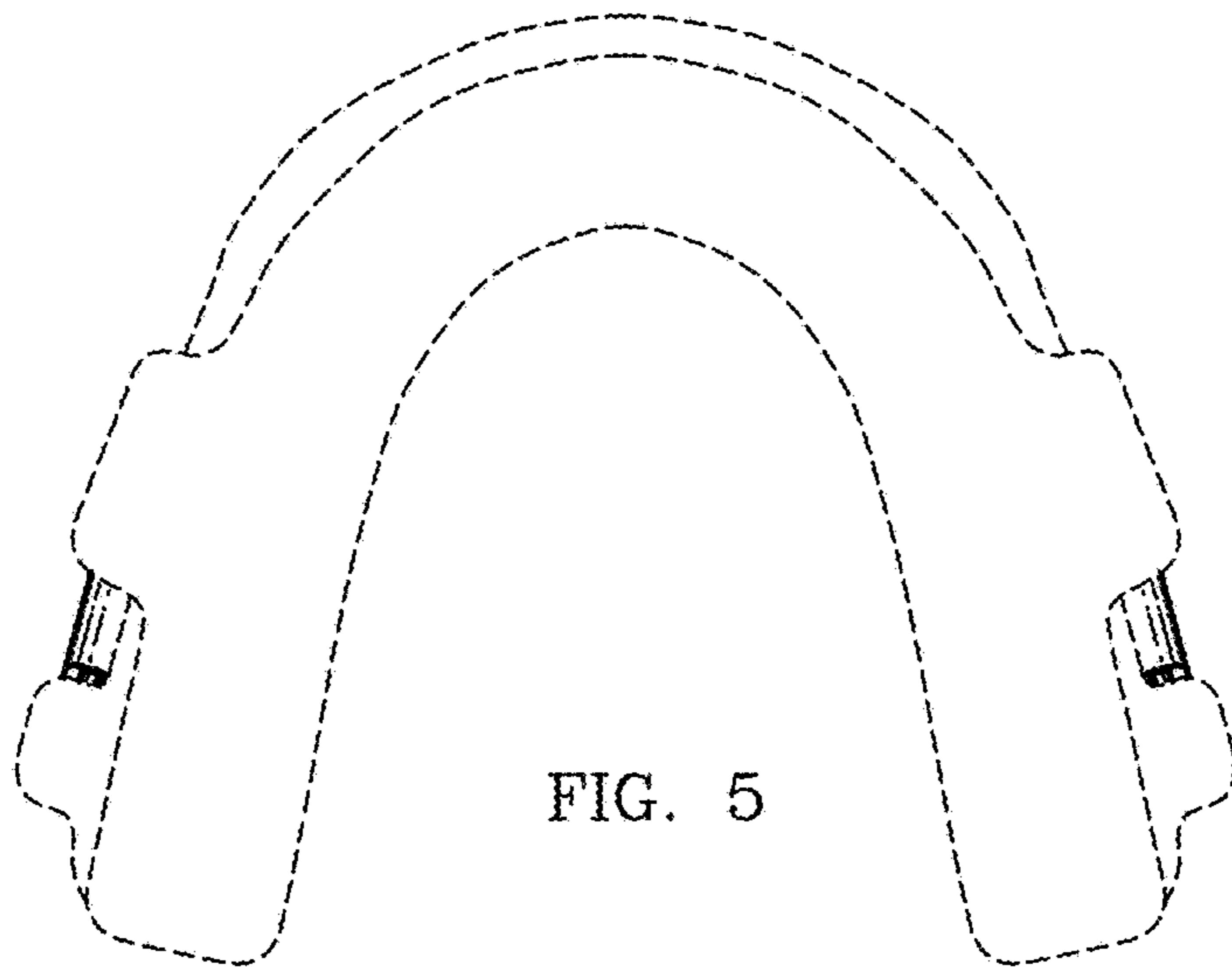


FIG. 6

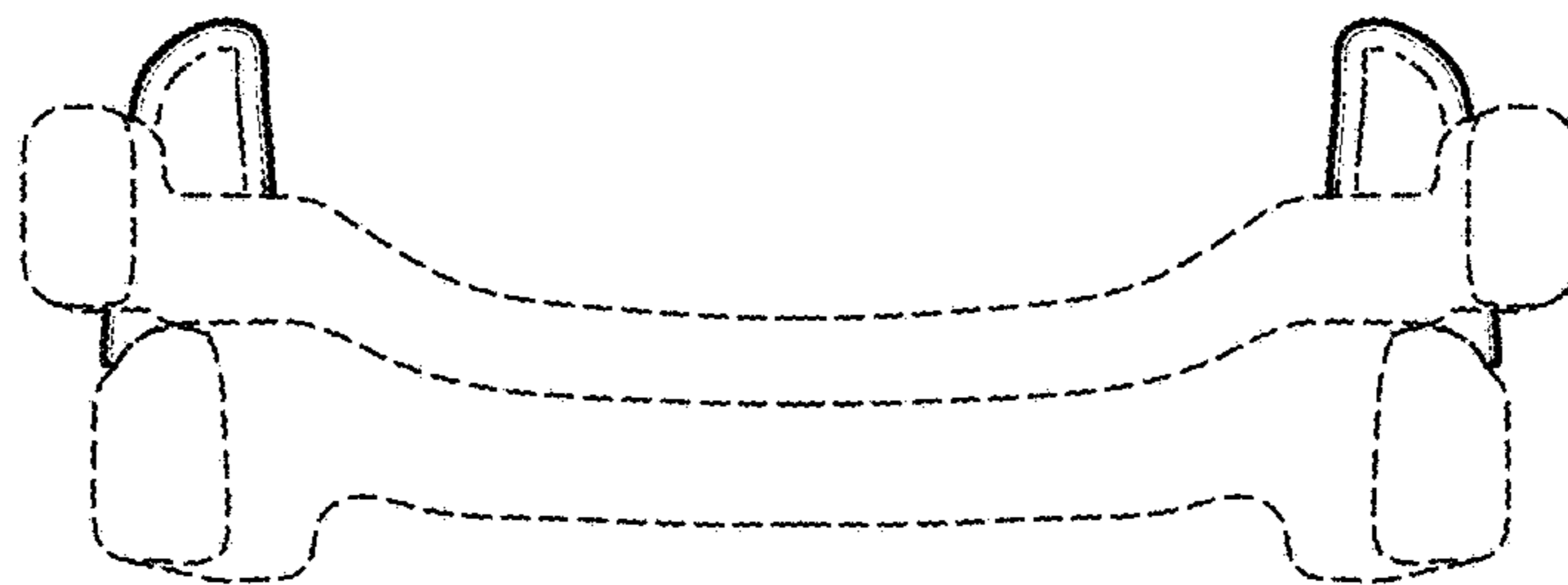


FIG. 12

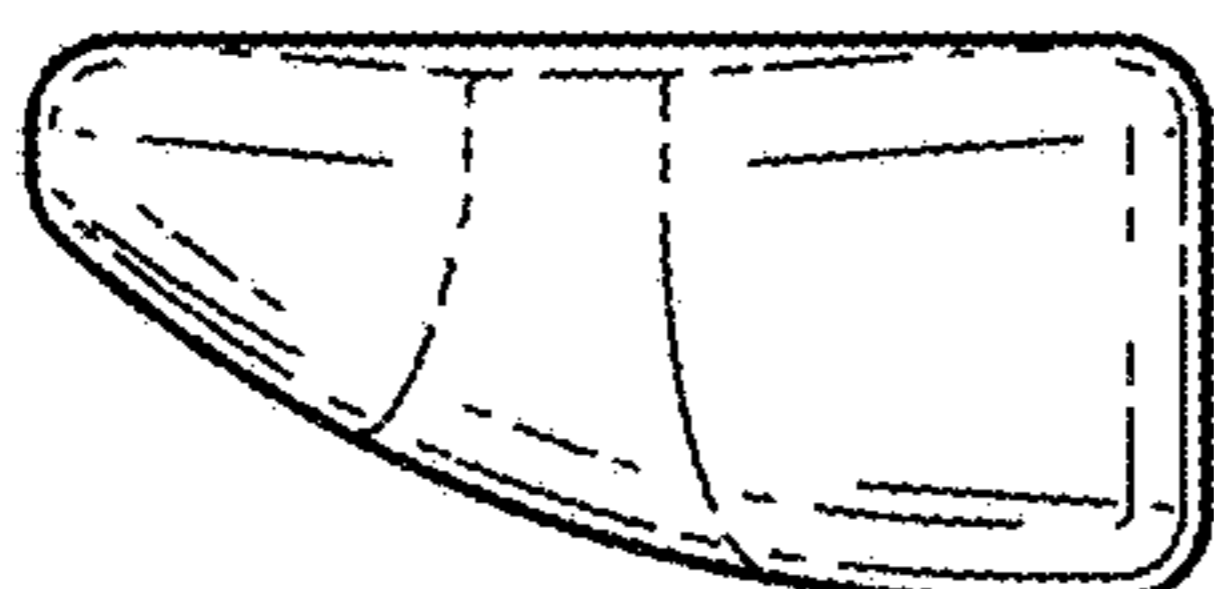


FIG. 9

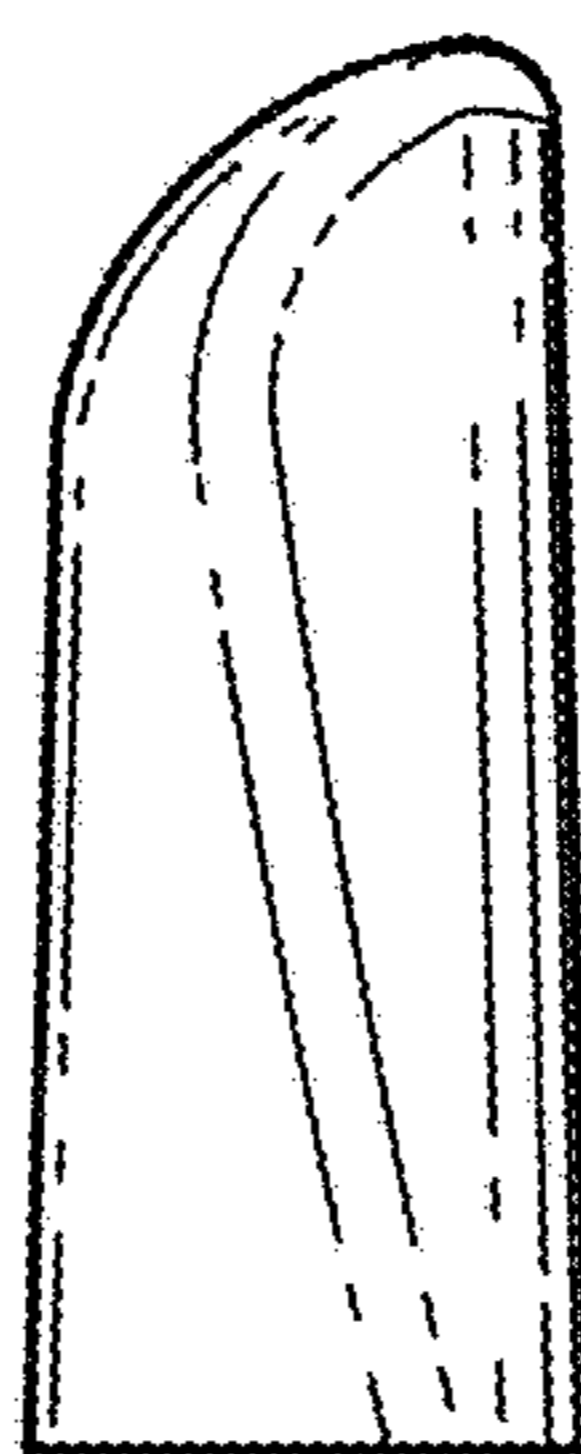
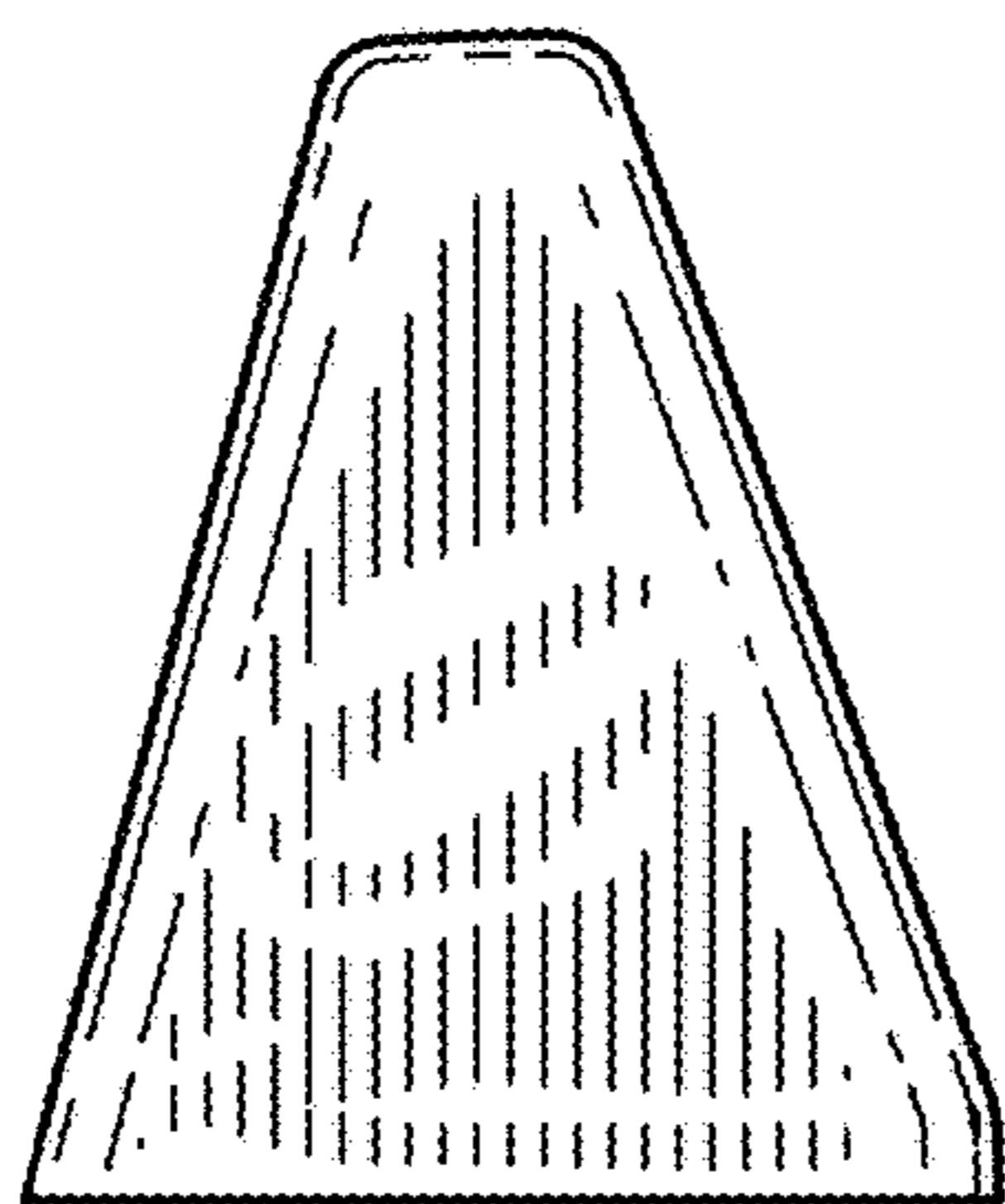
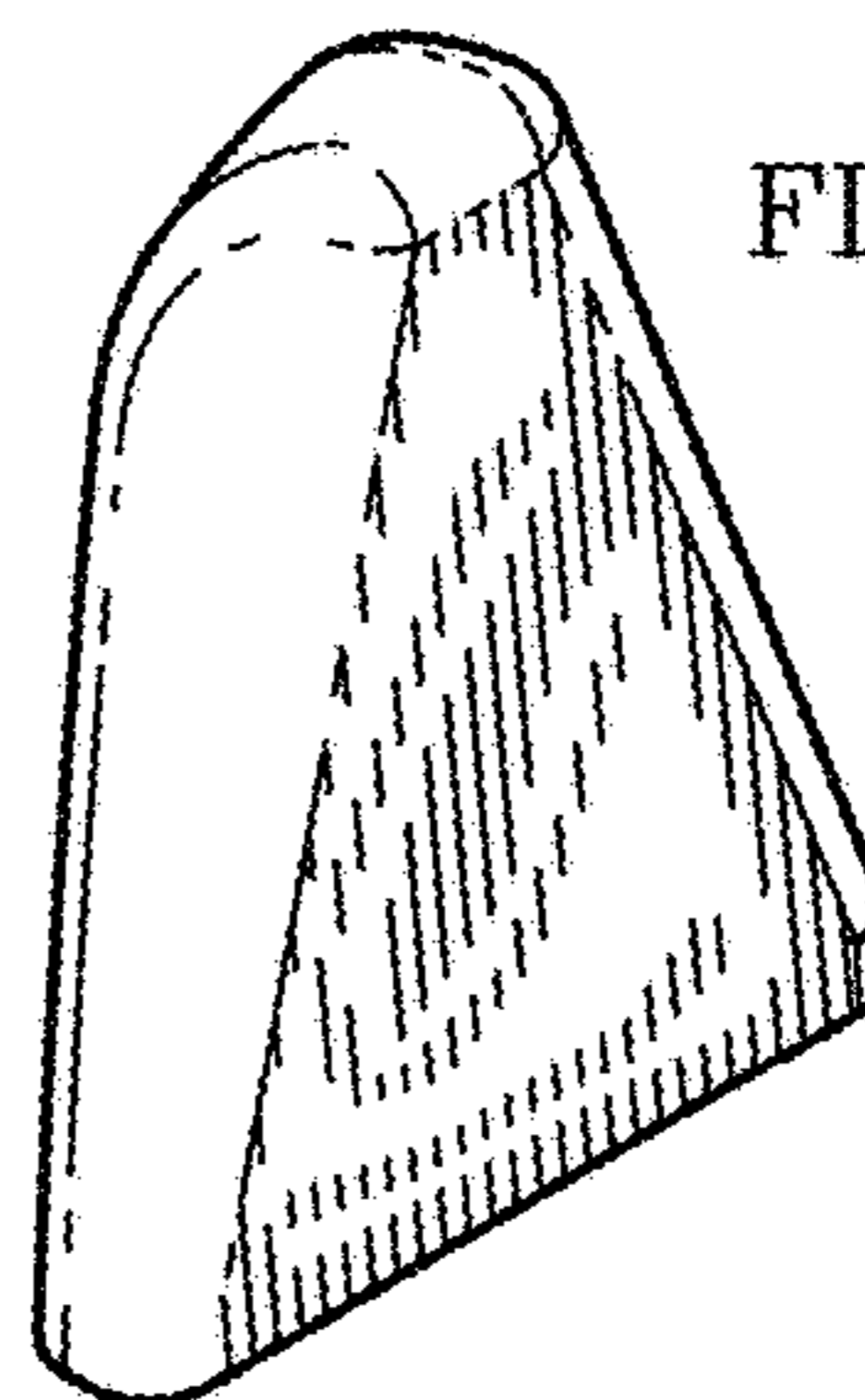


FIG. 10

FIG. 11

FIG. 14

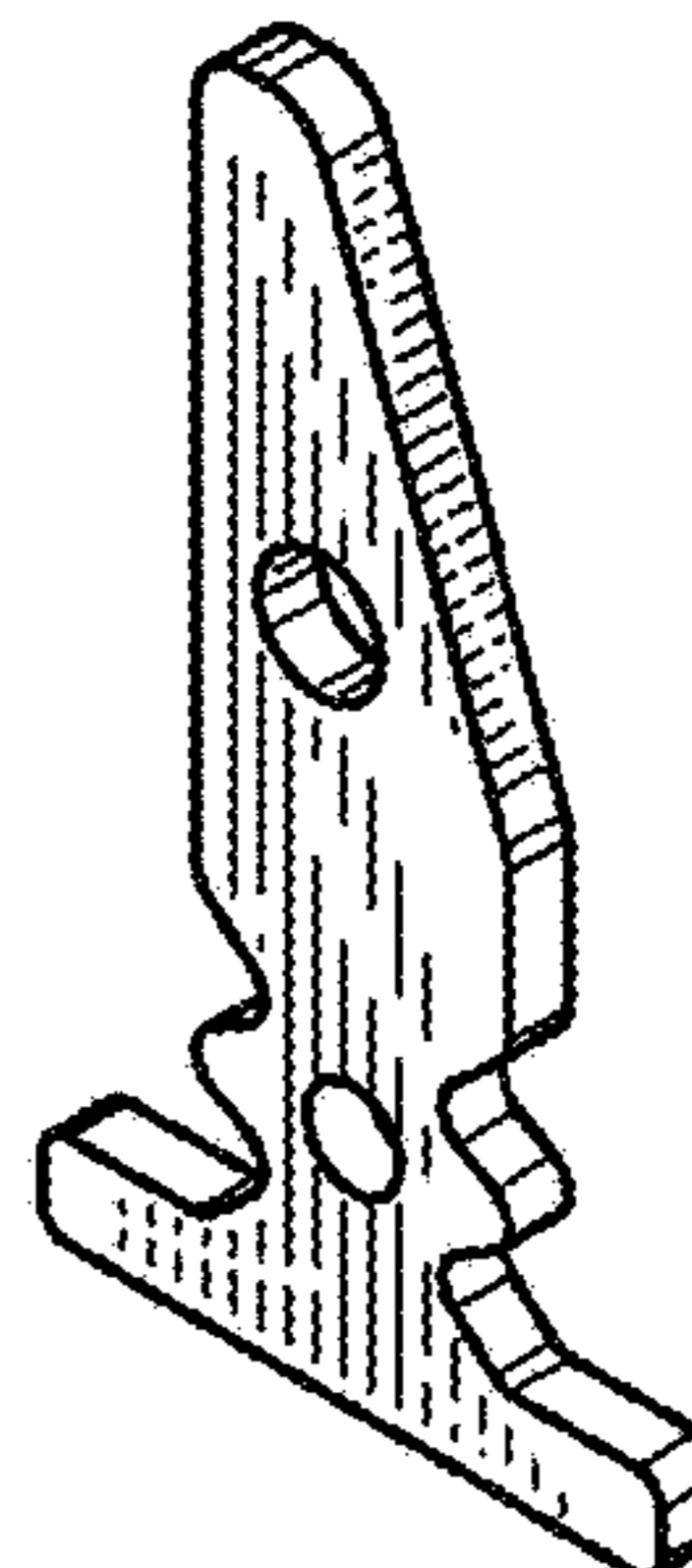
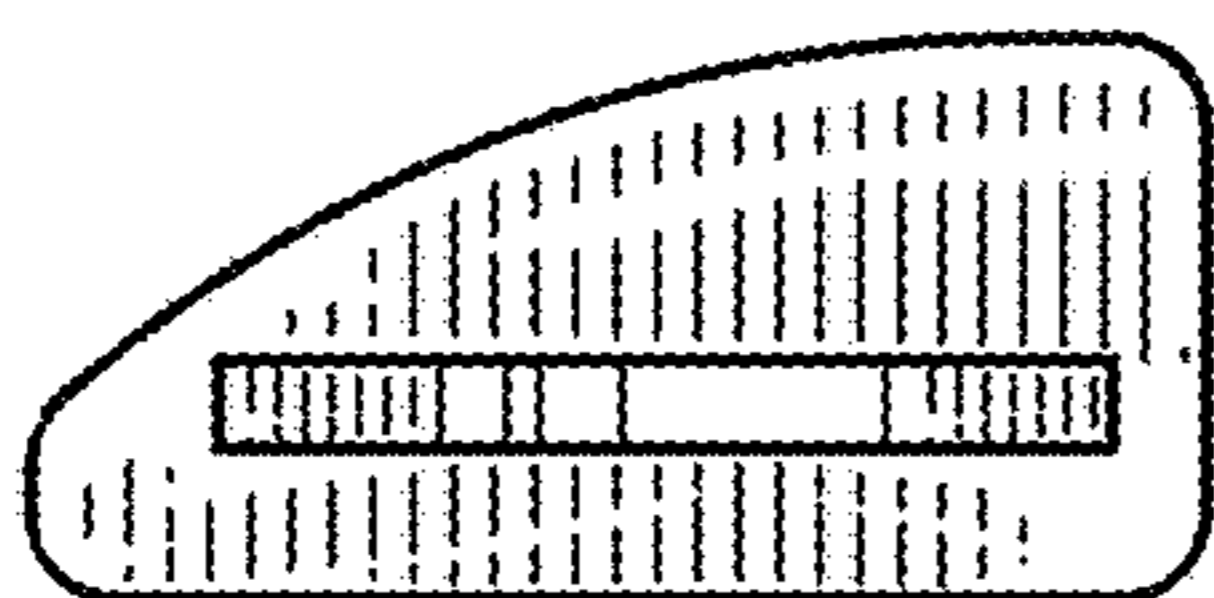


FIG. 13



FIG. 16

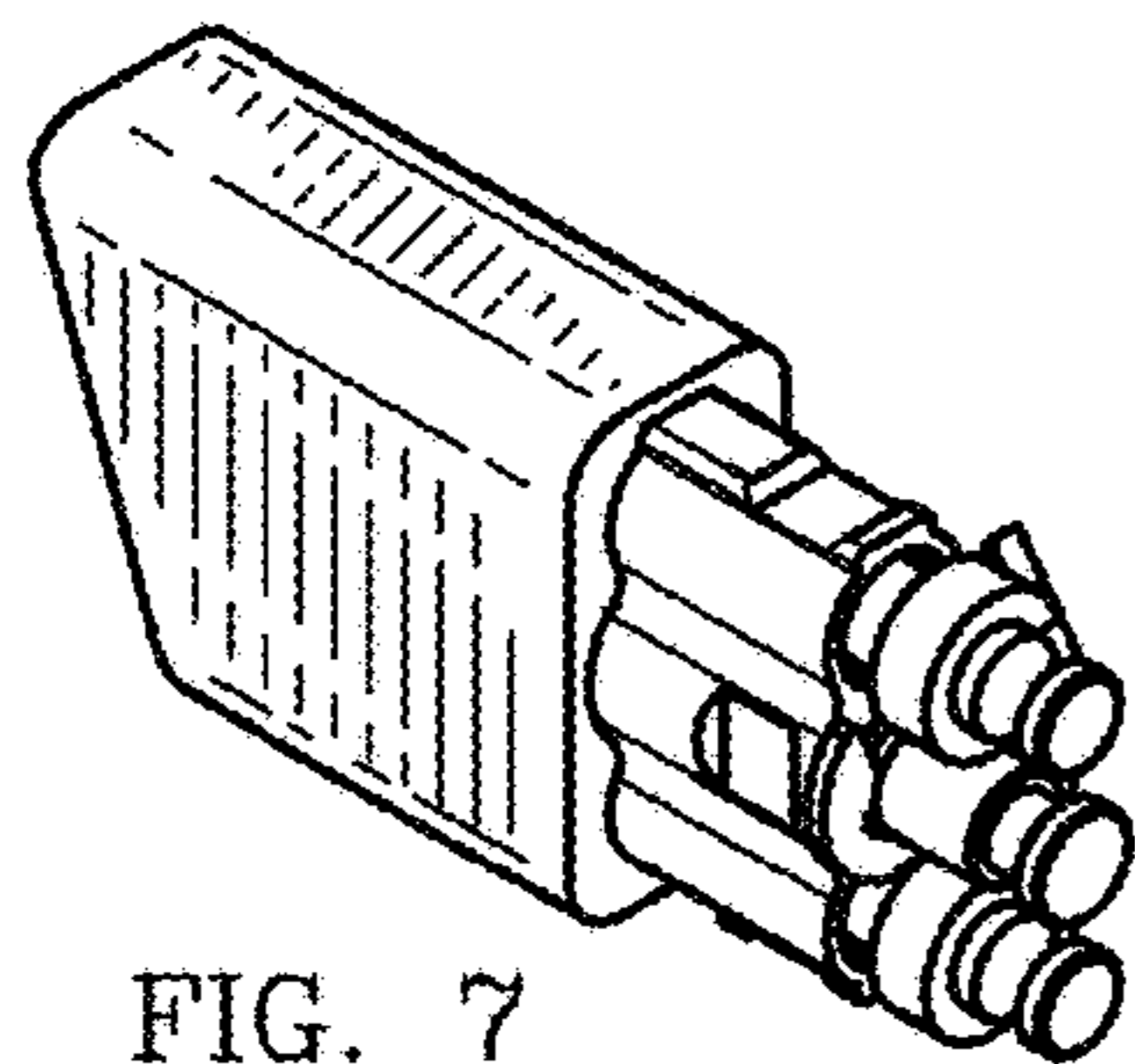


FIG. 7

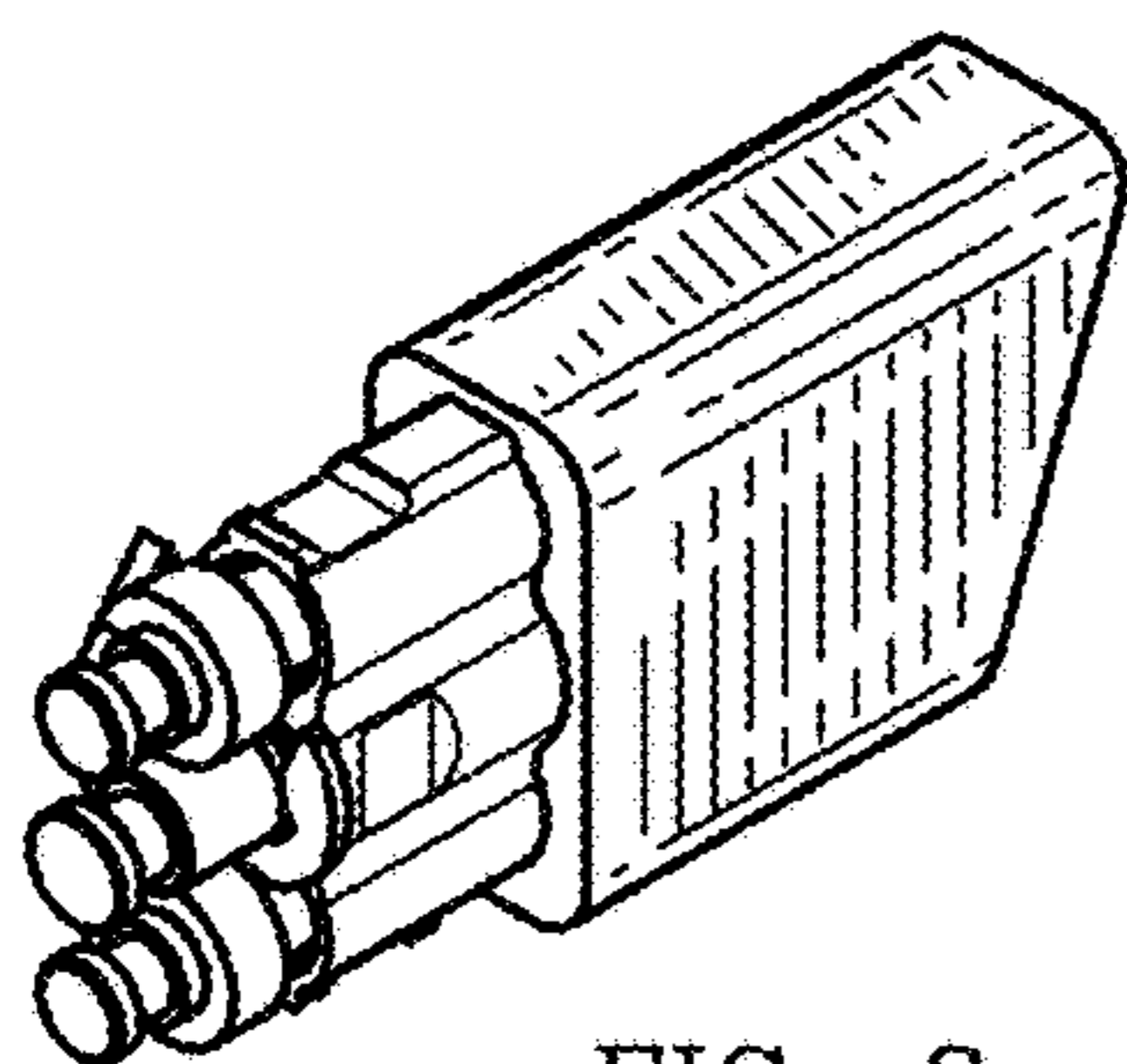


FIG. 8



FIG. 17

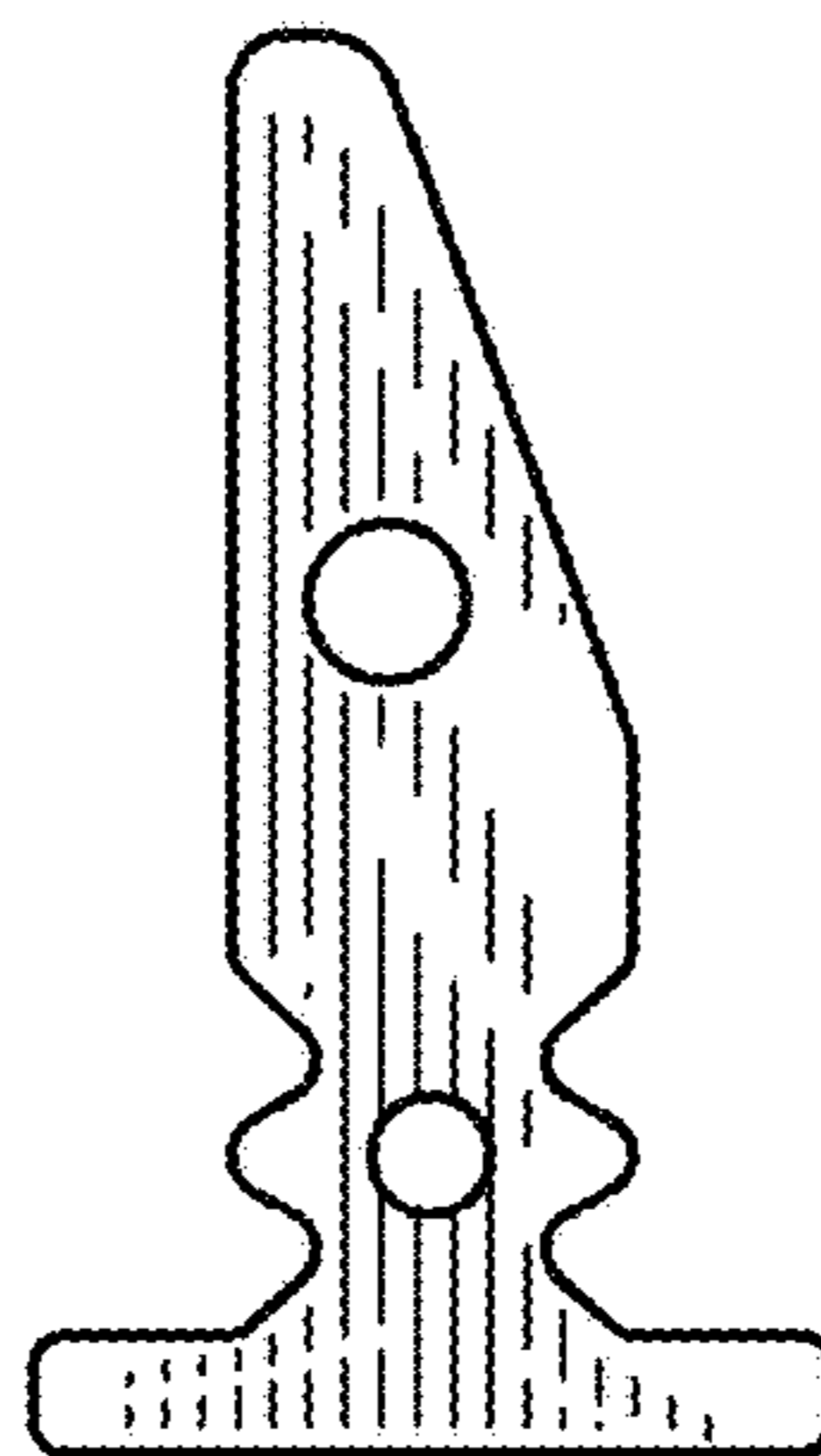


FIG. 15



FIG. 18



FIG. 19