



US00D827832S

(12) **United States Design Patent** (10) **Patent No.:** **US D827,832 S**
Fischer et al. (45) **Date of Patent:** **** Sep. 4, 2018**

(54) **AUTOMATED EXTERNAL DEFIBRILLATOR**

(71) Applicant: **KONINKLIJKE PHILIPS N.V.**,
Eindhoven (NL)

(72) Inventors: **Kurt Vincent Fischer; Christian James Richard; Eric Grant Halsne**

(73) Assignee: **KONINKLIJKE PHILIPS N.V.**,
Eindhoven (NL)

(**) Term: **15 Years**

(21) Appl. No.: **35/502,331**

(22) Filed: **Jul. 22, 2016**

(80) **Hague Agreement Data**

Int. Filing Date: **Jul. 22, 2016**
Int. Reg. No.: **DM/092019**
Int. Reg. Date: **Jul. 22, 2016**
Int. Reg. Pub. Date: **Jan. 27, 2017**

(30) **Foreign Application Priority Data**

Mar. 9, 2016 (EM) 003020692-0001

(51) **LOC (11) Cl.** **24-02**

(52) **U.S. Cl.**
USPC **D24/167**

(58) **Field of Classification Search**
USPC D24/107, 165-168, 186, 187; D10/75;
D3/203.1
CPC A61N 1/39; A61N 1/3968; A61N 1/3993;
A61N 1/046; A61N 1/0484
See application file for complete search history.

(56) **References Cited**

U.S. PATENT DOCUMENTS

D490,156 S * 5/2004 Fischer D24/167
D625,013 S * 10/2010 Kawamura D24/167

D679,017 S * 3/2013 London D24/167
D690,818 S * 10/2013 Pastrick D24/167
D717,442 S * 11/2014 Kaib D24/167
D764,670 S * 8/2016 Finch D24/167
D781,425 S * 3/2017 Dascoli D24/167
D783,169 S * 4/2017 Anderson D24/167
2006/0142805 A1 * 6/2006 Katzman A61B 50/30
607/5
2013/0102936 A1 * 4/2013 Halsne A61H 31/005
601/41
2013/0213840 A1 * 8/2013 Halsne A61N 1/3968
206/363

* cited by examiner

Primary Examiner — George D. Kirschbaum
Assistant Examiner — Jennifer L. Watkins

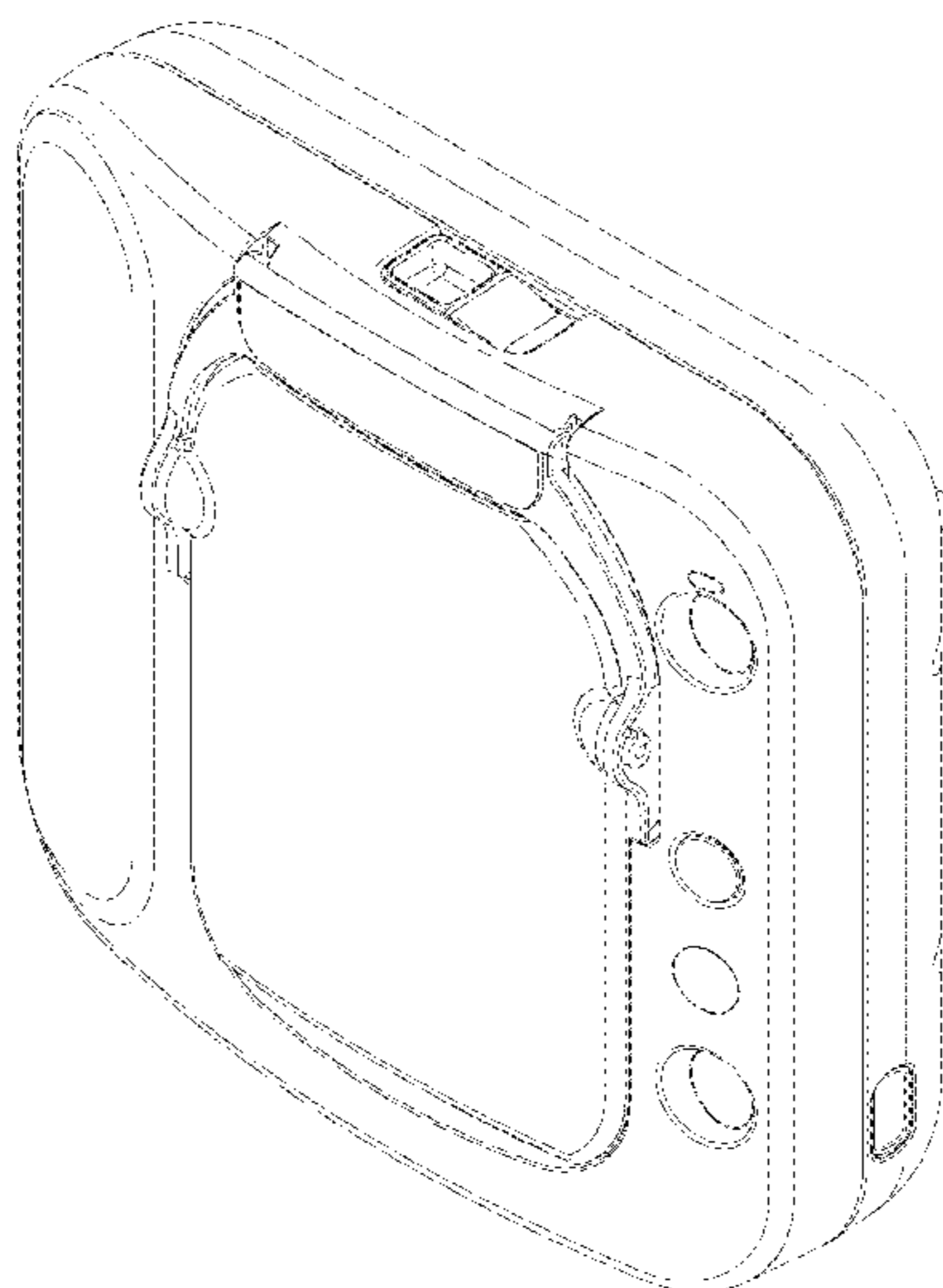
(57) **CLAIM**

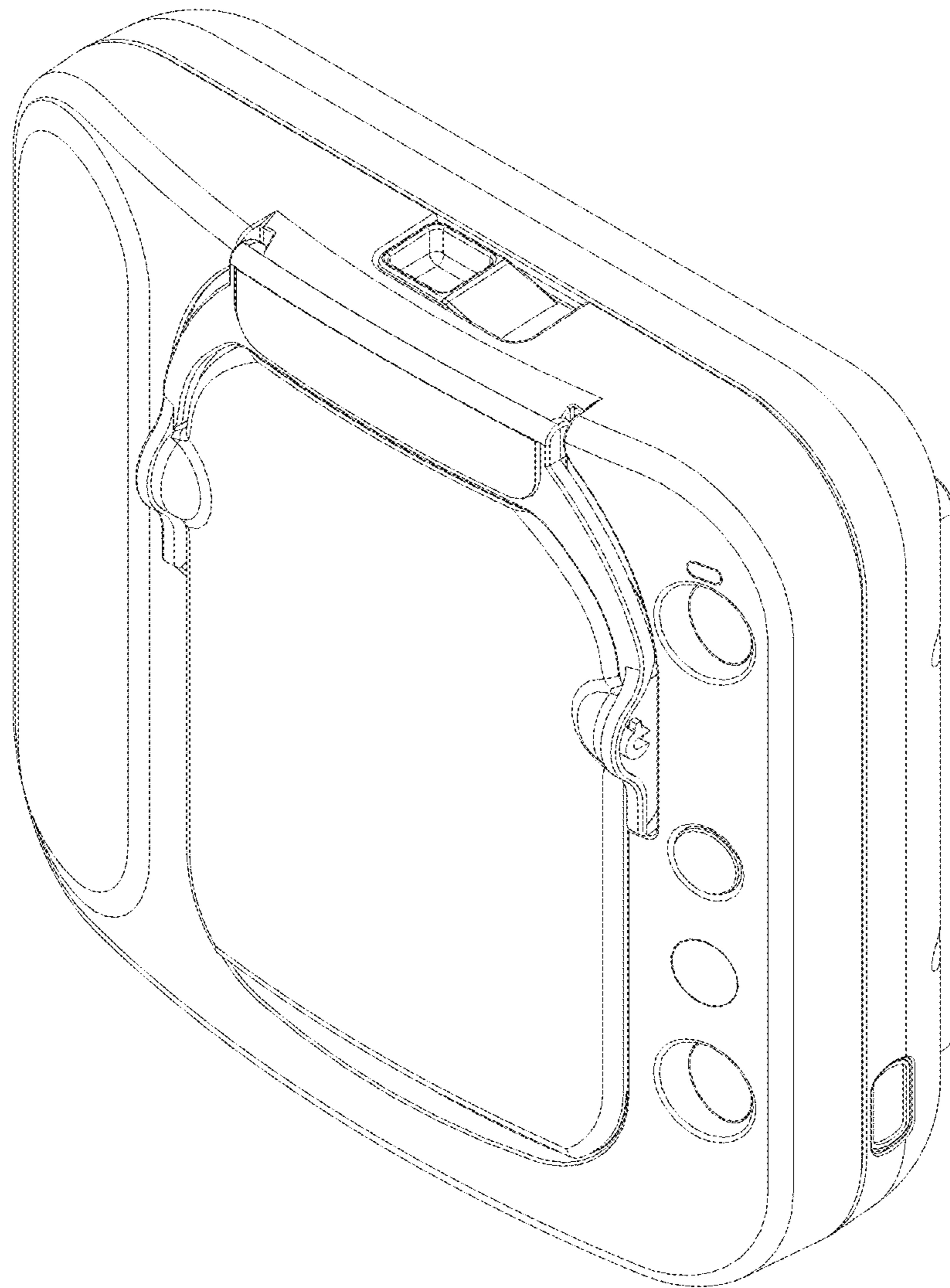
The ornamental design for an automated external defibrillator, as shown and described.

DESCRIPTION

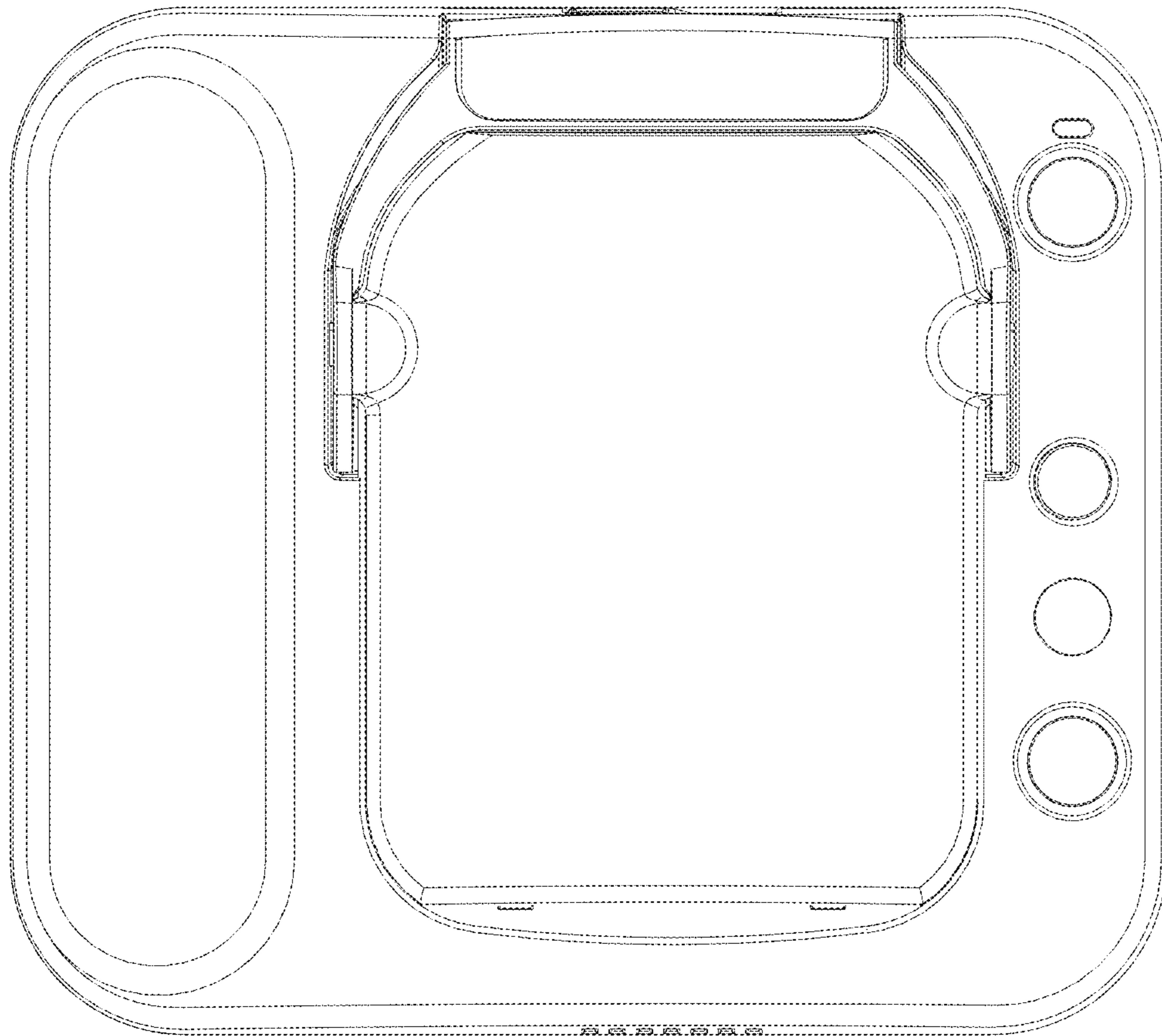
1. Automated external defibrillator
1.1 is a perspective view showing the automated external defibrillator of our design;
1.2 is a front elevational view thereof;
1.3 is a rear elevational view thereof;
1.4 is a right side elevational view thereof;
1.5 is a left side elevational view thereof;
1.6 is a top plan view thereof; and
1.7 is a bottom plan view thereof.
The portions of the automated external defibrillator shown in broken lines are included for the purpose of illustrating portions of the automated external defibrillator and form no part of the claimed design.

1 Claim, 5 Drawing Sheets

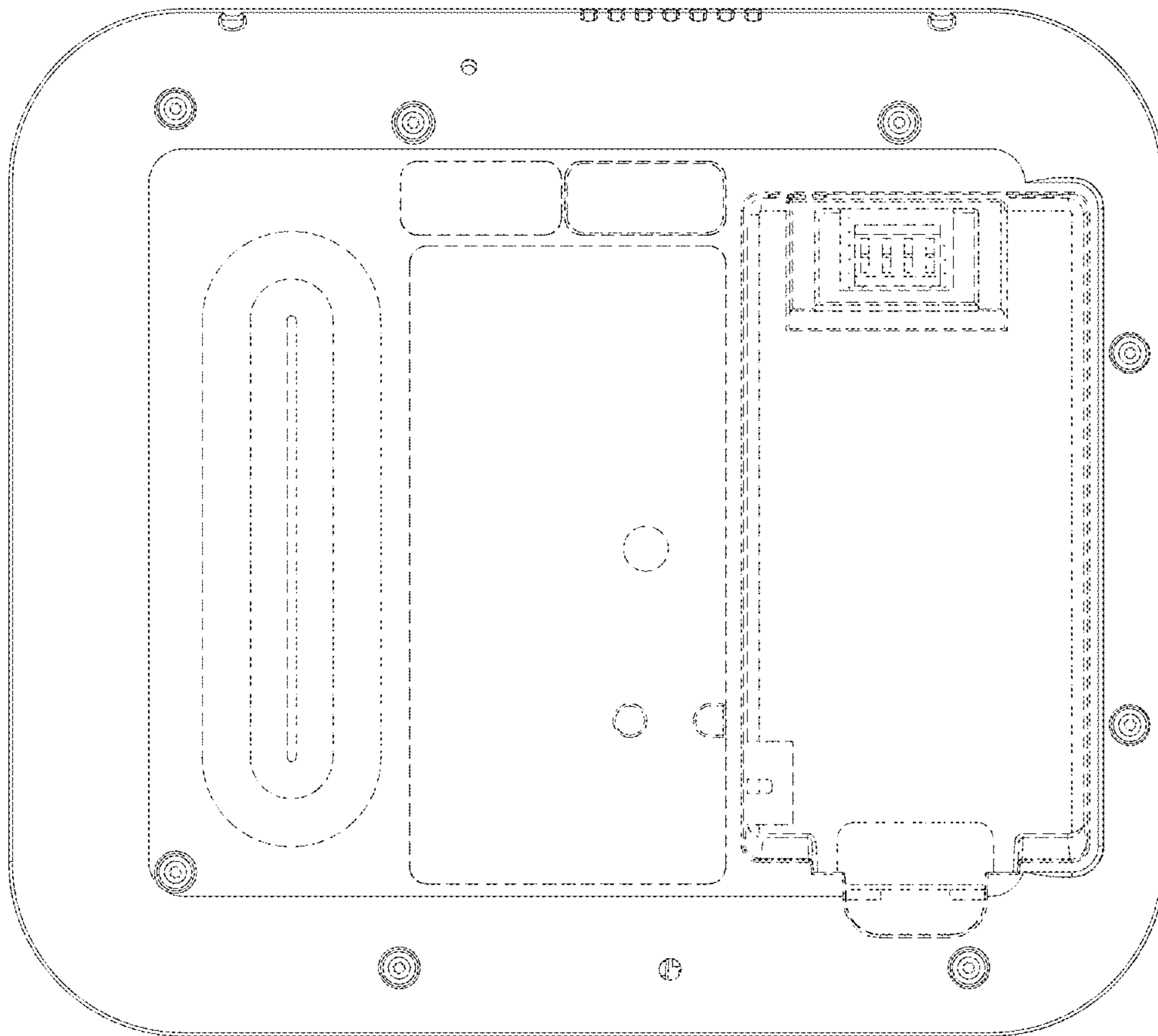




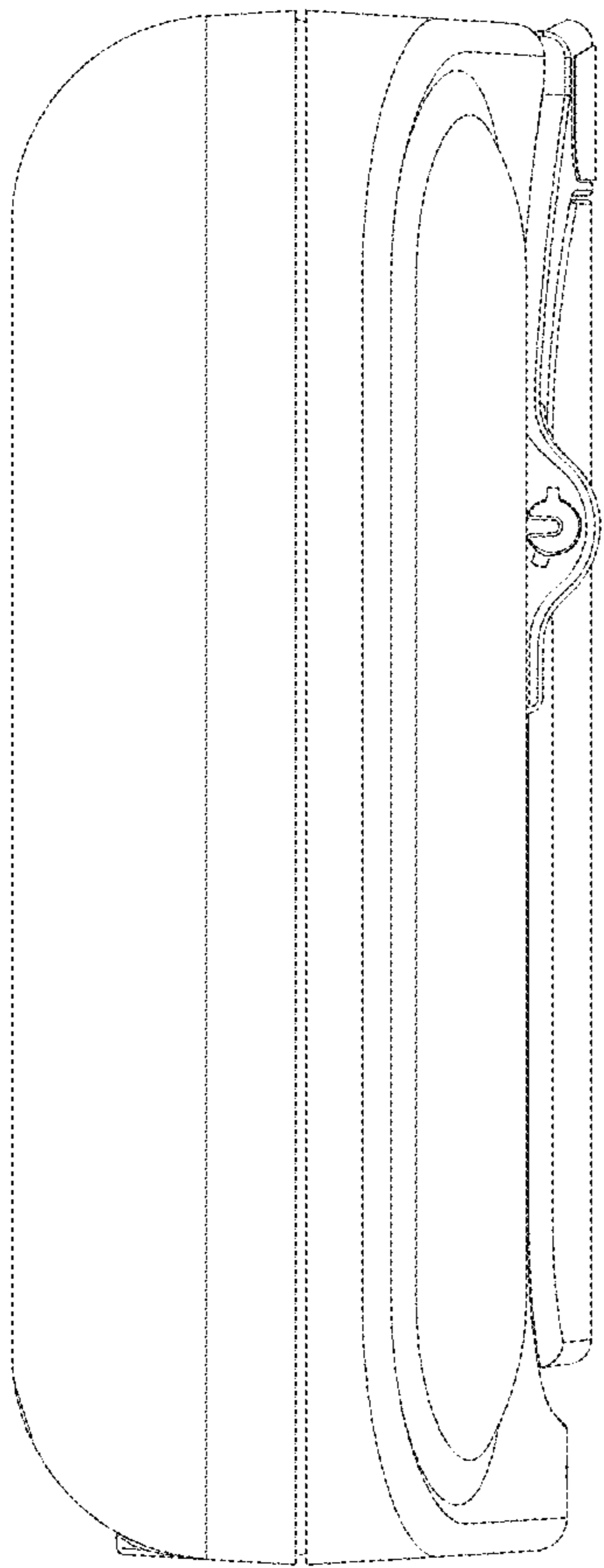
1.1



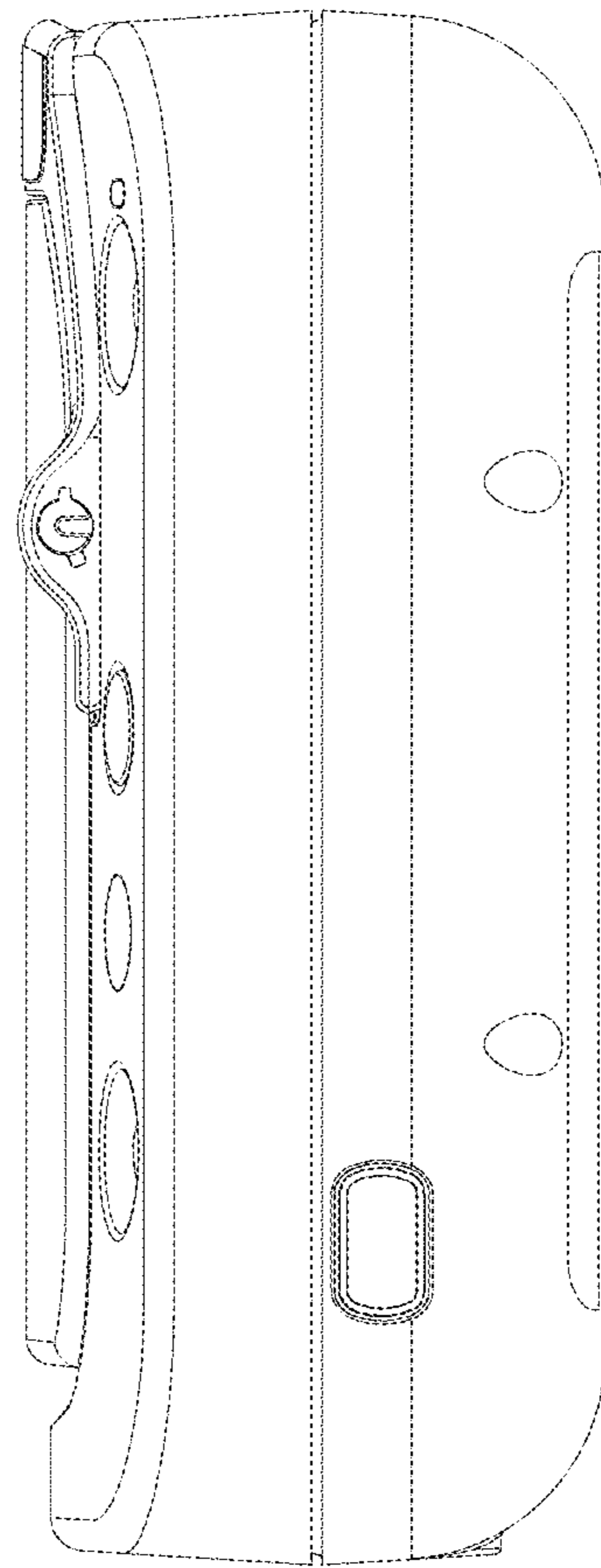
1.2



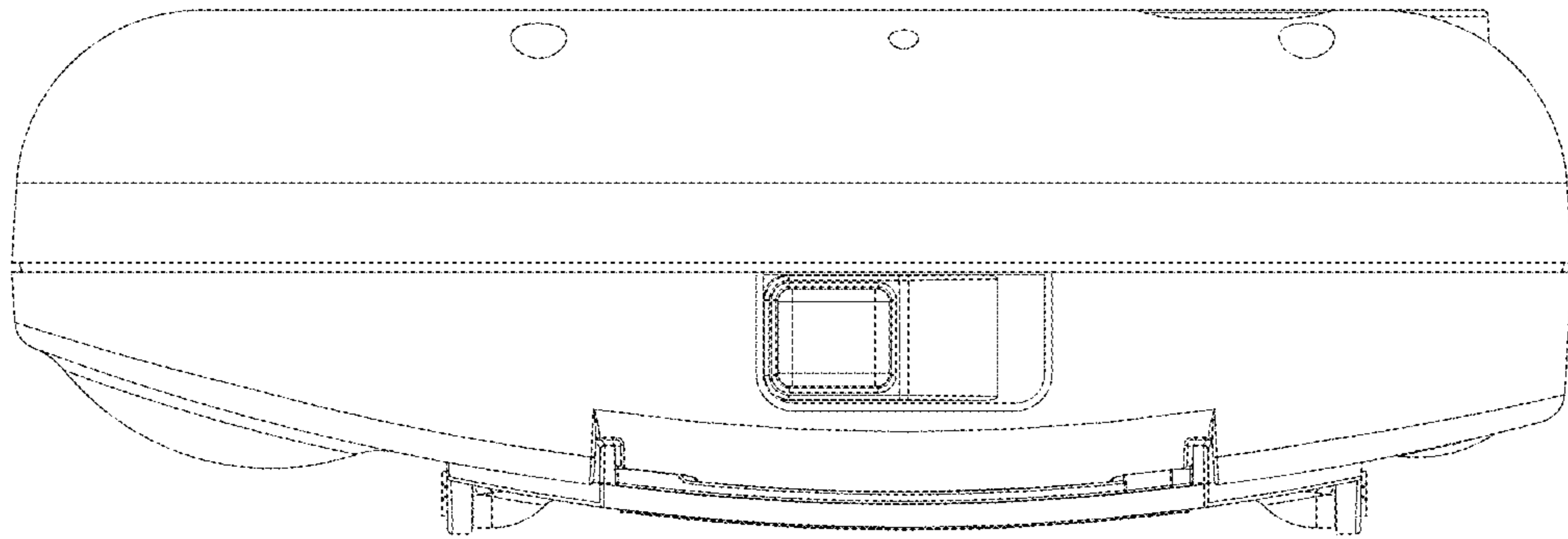
1.3



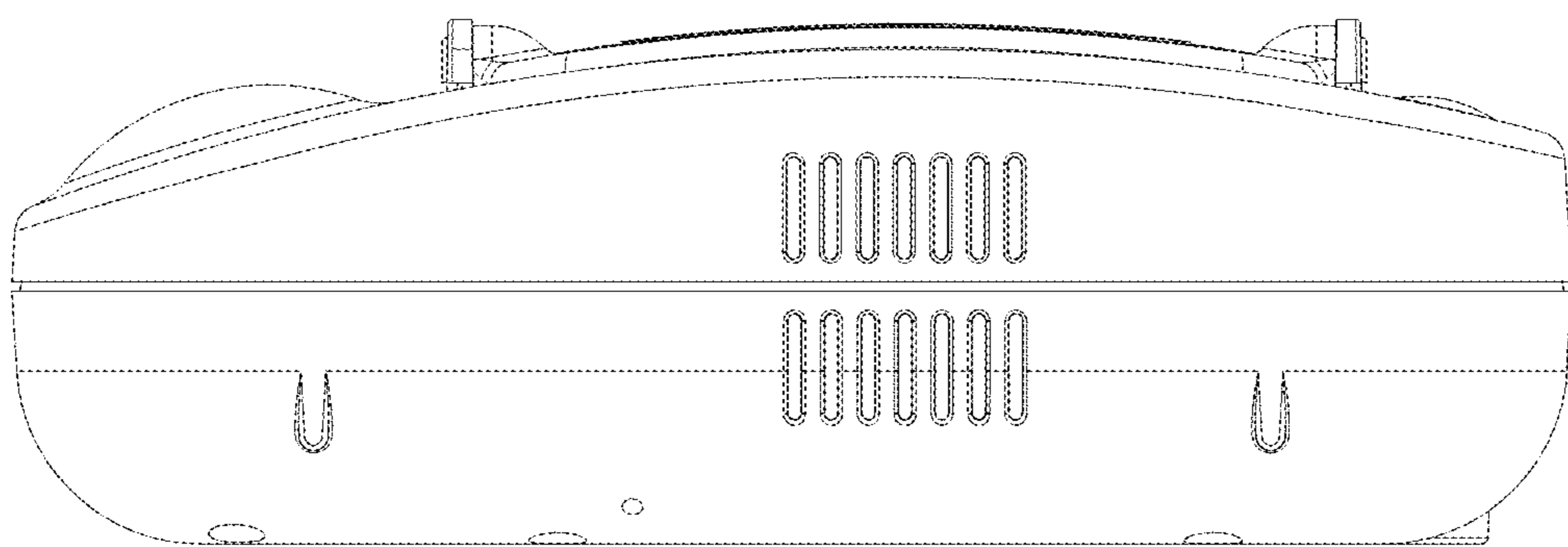
1.4



1.5



1.6



1.7