



US00D827831S

(12) **United States Design Patent**  
**Fong et al.**

(10) **Patent No.:** **US D827,831 S**  
(45) **Date of Patent:** **\*\* Sep. 4, 2018**

(54) **HEALTH MONITORING WRIST WEARABLE**

2220/00–2220/89; A63B 2225/02; A61B  
5/681; A61B 5/6824; A61B 5/6825; A61B  
5/6826

(71) Applicant: **Verily Life Sciences LLC**, Mountain  
View, CA (US)

See application file for complete search history.

(72) Inventors: **Shannon C. Fong**, San Francisco, CA  
(US); **John Lapetina**, Los Altos Hills,  
CA (US); **Michael Jastrzebski**,  
Newark, CA (US)

(56) **References Cited**

U.S. PATENT DOCUMENTS

D767,566	S	*	9/2016	Morgenroth	.....	D14/344
D794,631	S	*	8/2017	Solomon	.....	D10/38
D805,406	S	*	12/2017	Register	.....	D10/30
D806,581	S	*	1/2018	Register	.....	D10/30

(73) Assignee: **Verily Life Sciences LLC**, Mountain  
View, CA (US)

\* cited by examiner

(\*\*) Term: **15 Years**

*Primary Examiner* — Antoine Duval Davis

(21) Appl. No.: **29/599,502**

(74) *Attorney, Agent, or Firm* — Christensen O'Connor  
Johnson Kindness PLLC

(22) Filed: **Apr. 4, 2017**

(51) **LOC (11) Cl.** ..... **24-01**

(52) **U.S. Cl.**

USPC ..... **D24/167**; D10/70; D10/78; D10/97;  
D10/98; D10/30; D14/344; D24/186

(57) **CLAIM**

We claim the ornamental design of a health monitoring wrist  
wearable, as shown and described.

(58) **Field of Classification Search**

USPC ..... D10/30–39, 65, 70, 78, 97, 98;  
D14/138 R, 203.5, 203.6, 341, 344, 347;  
D24/167, 168, 186

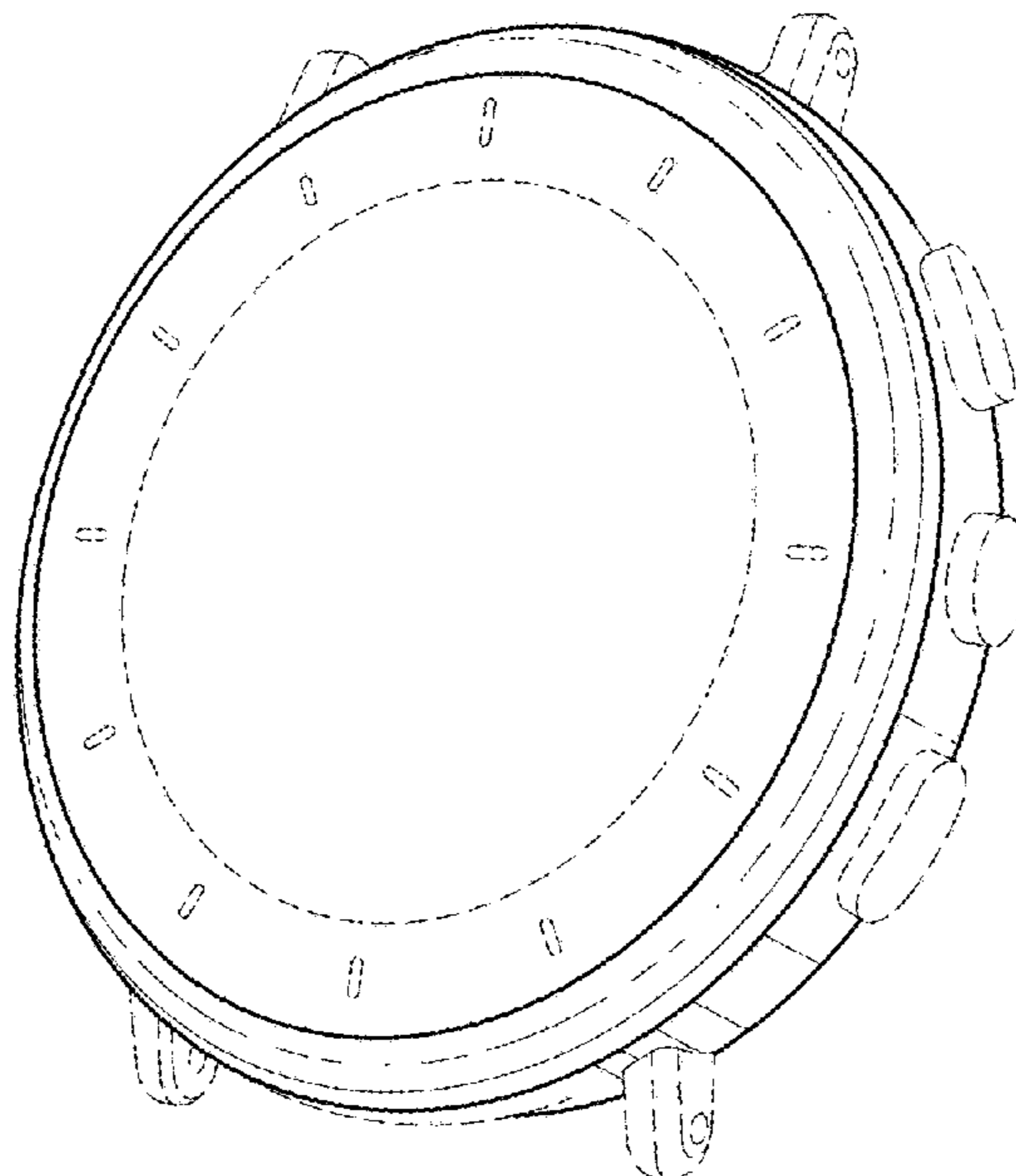
CPC ..... G04B 19/00–19/34; G04B 21/12; G04B  
23/12; G04B 37/00–37/228; G04B  
47/00–47/068; G01C 17/00; G01C  
21/00–21/3697; G01C 22/00–22/025;  
G01C 23/00–23/005; G06F 19/3481;  
G06F 3/00–3/027; G01P 1/00–1/26; G01P  
15/00–15/18; A63B 24/00–2024/0096;  
A63B 2213/00; A63B 69/0028; A63B  
2071/0658–2071/0666; A63B

**DESCRIPTION**

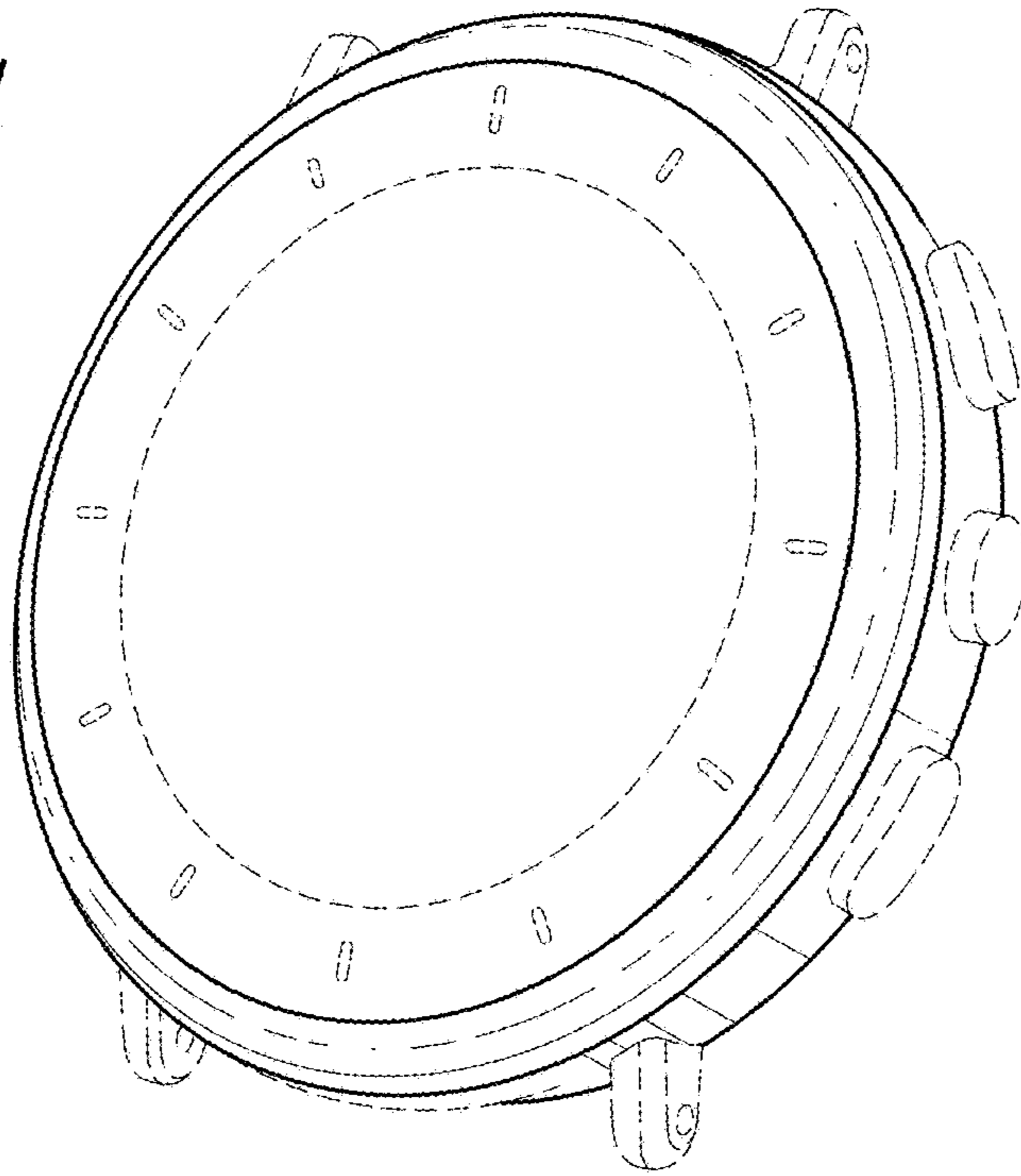
FIG. 1 is a front right perspective view of a health moni-  
toring wrist wearable in accordance with an embodiment;  
FIG. 2 is a rear left perspective view thereof;  
FIG. 3 is a front elevation view thereof;  
FIG. 4 is a rear elevation view thereof;  
FIG. 5 is a left side elevation view thereof;  
FIG. 6 is a right side elevation view thereof;  
FIG. 7 is a top plan view thereof; and,  
FIG. 8 is a bottom plan view thereof.

All portions of the drawings shown in dashed lines are for  
illustrative purposes only and form no part of the claimed  
design.

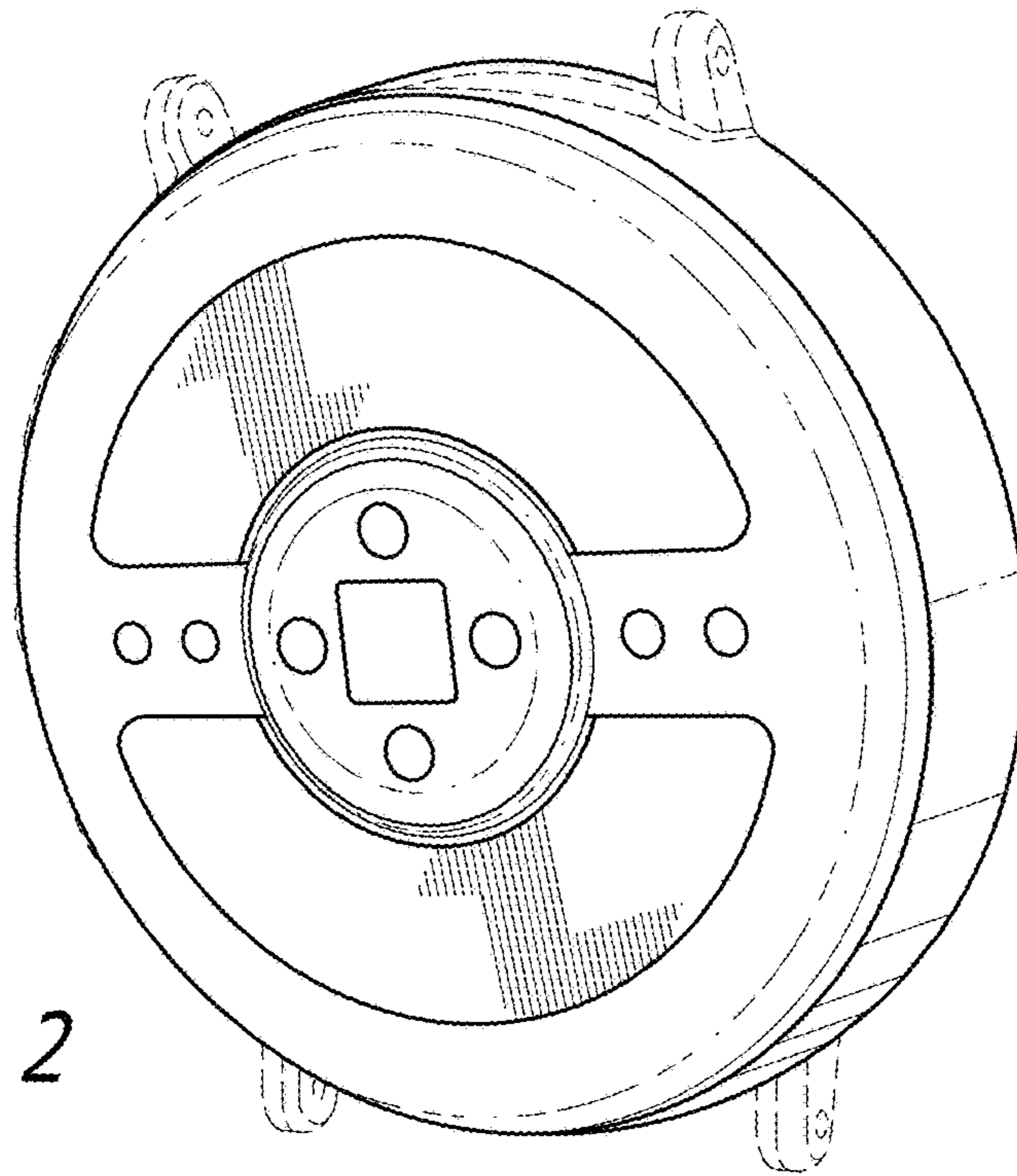
**1 Claim, 3 Drawing Sheets**



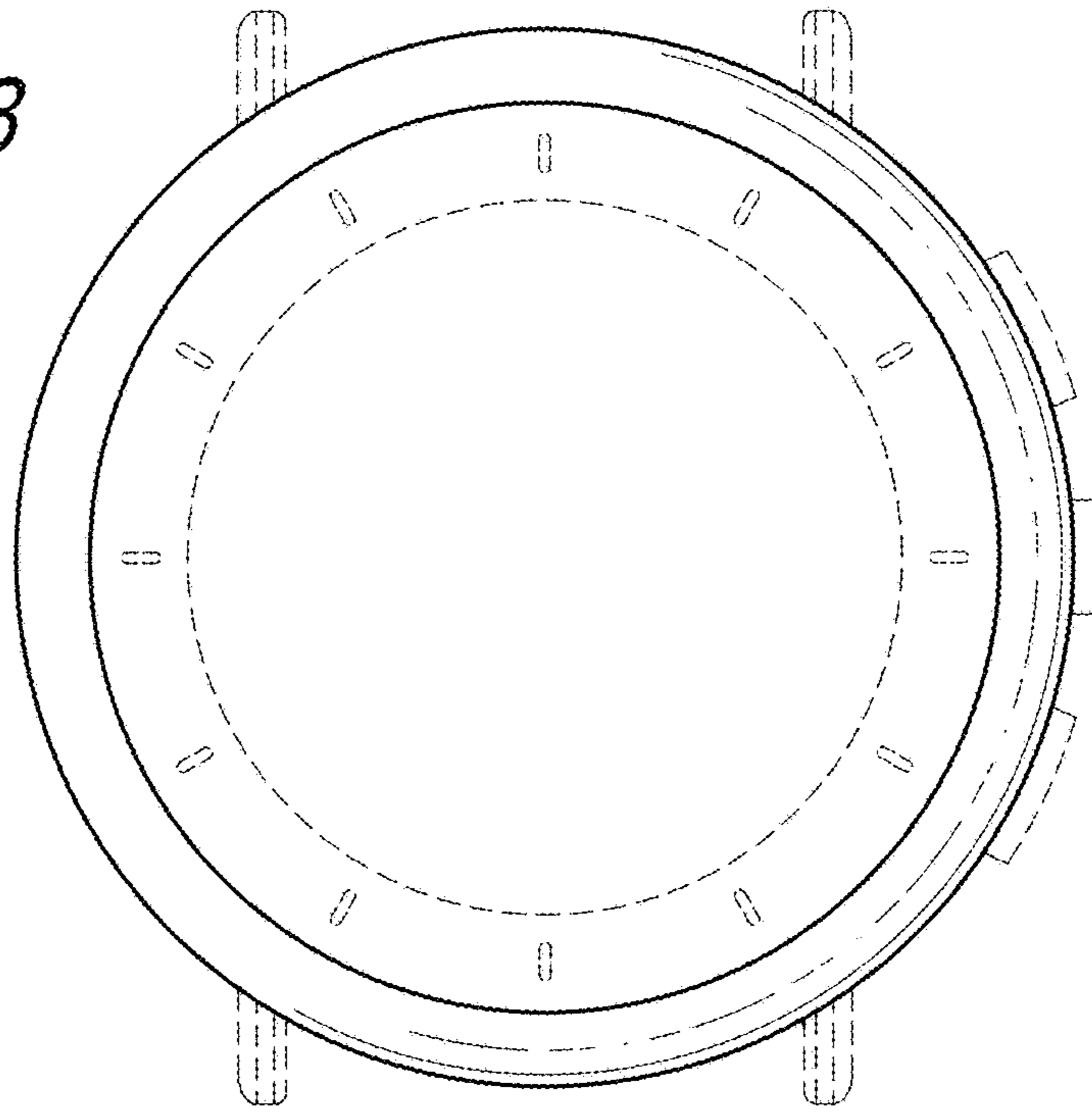
*FIG. 1*



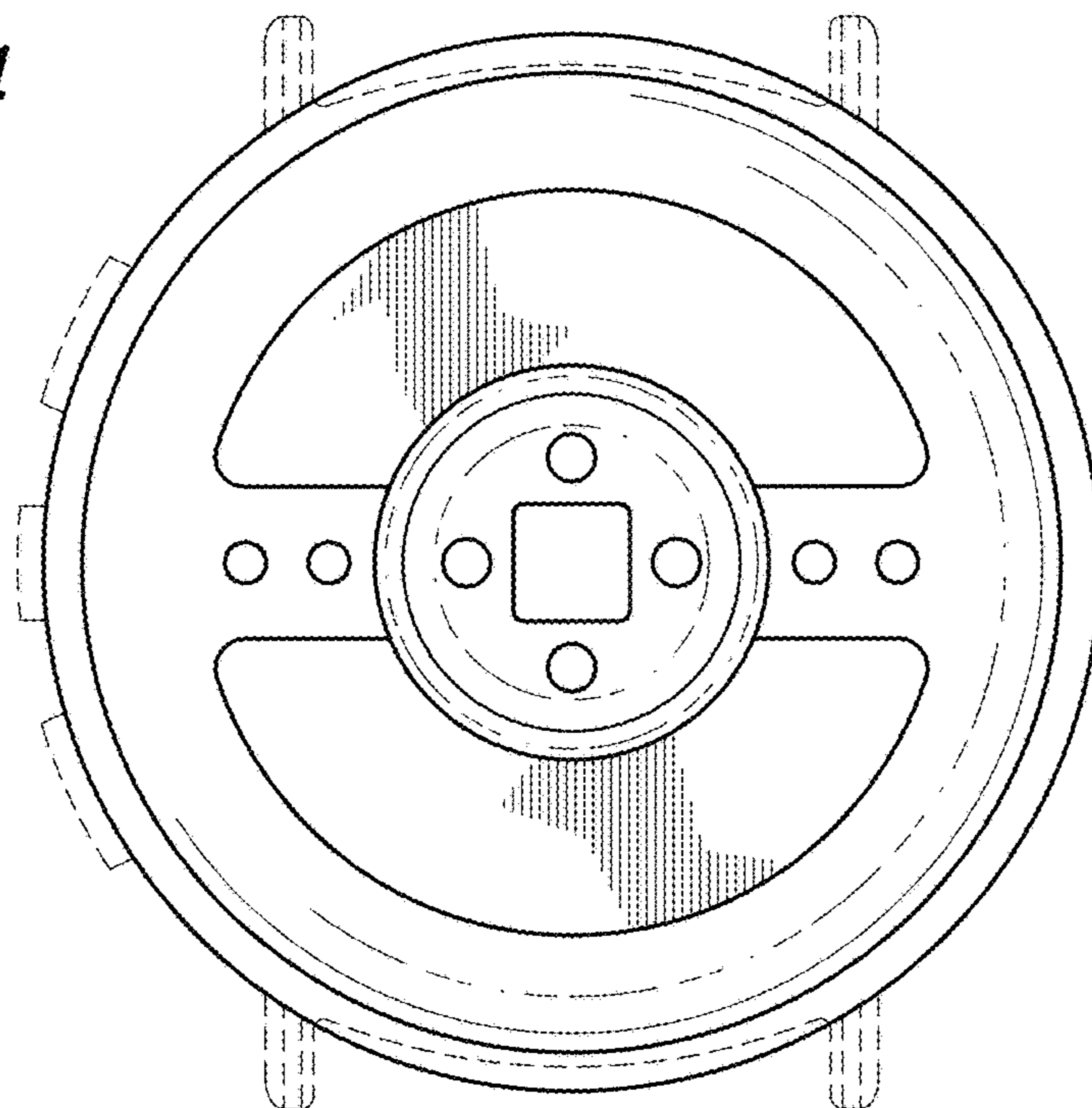
*FIG. 2*

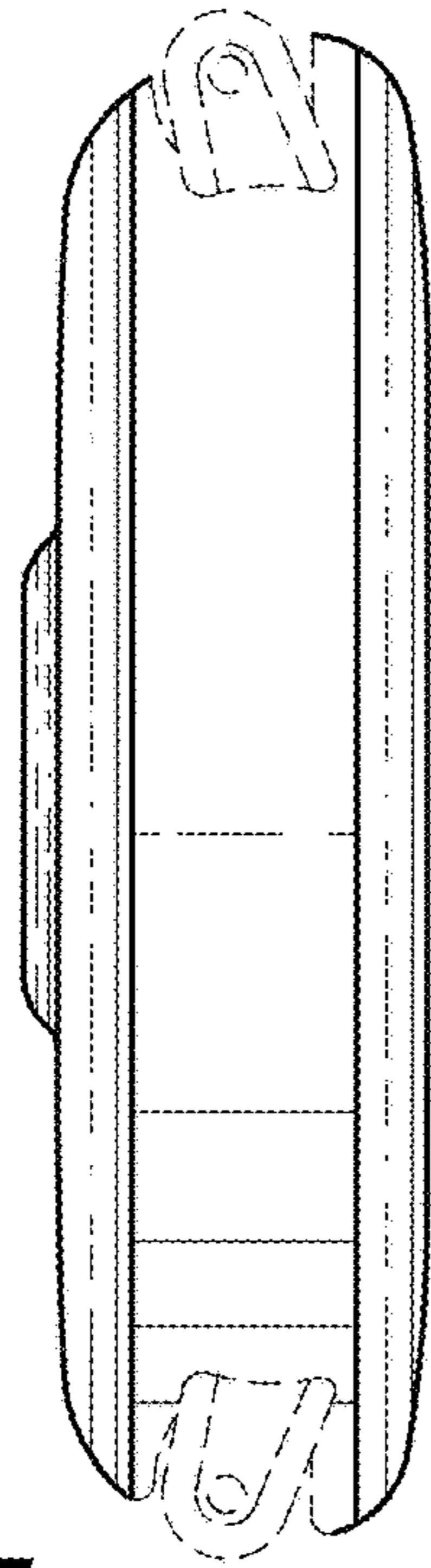


*FIG. 3*

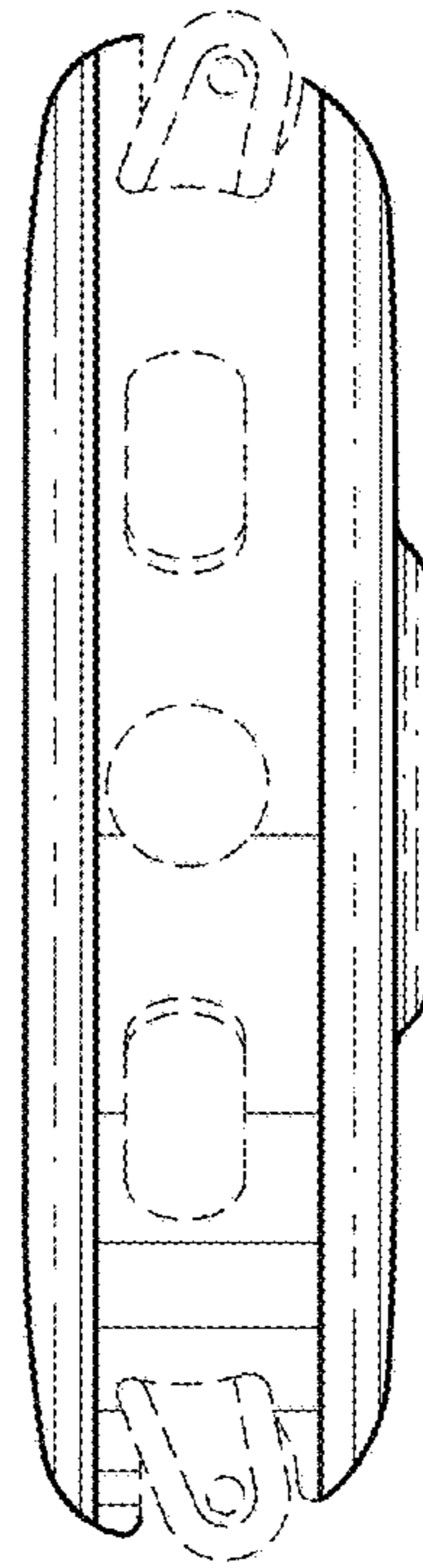


*FIG. 4*

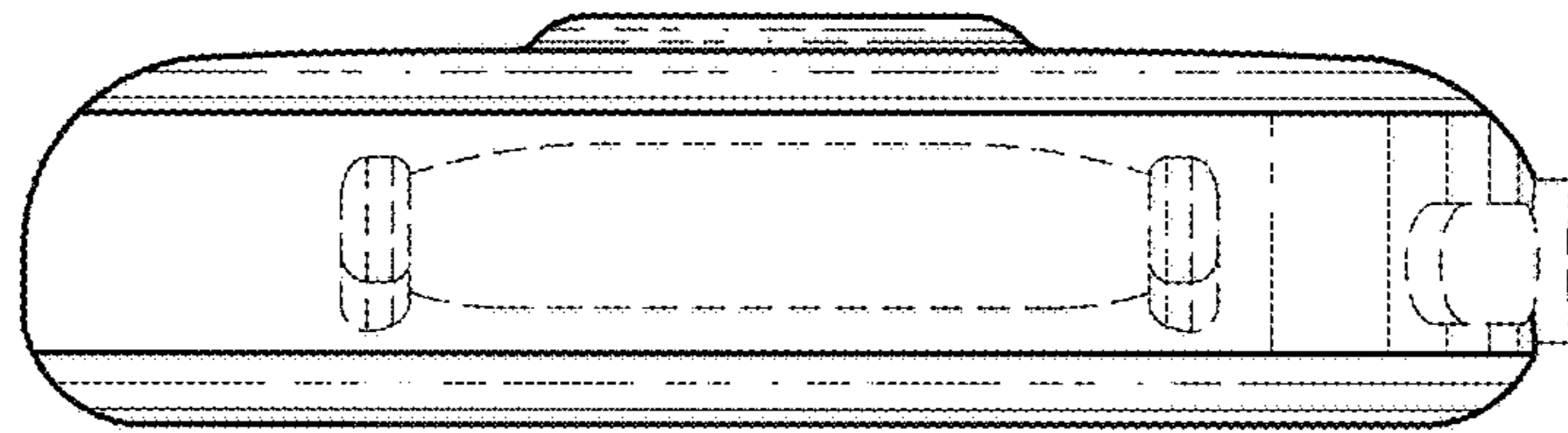




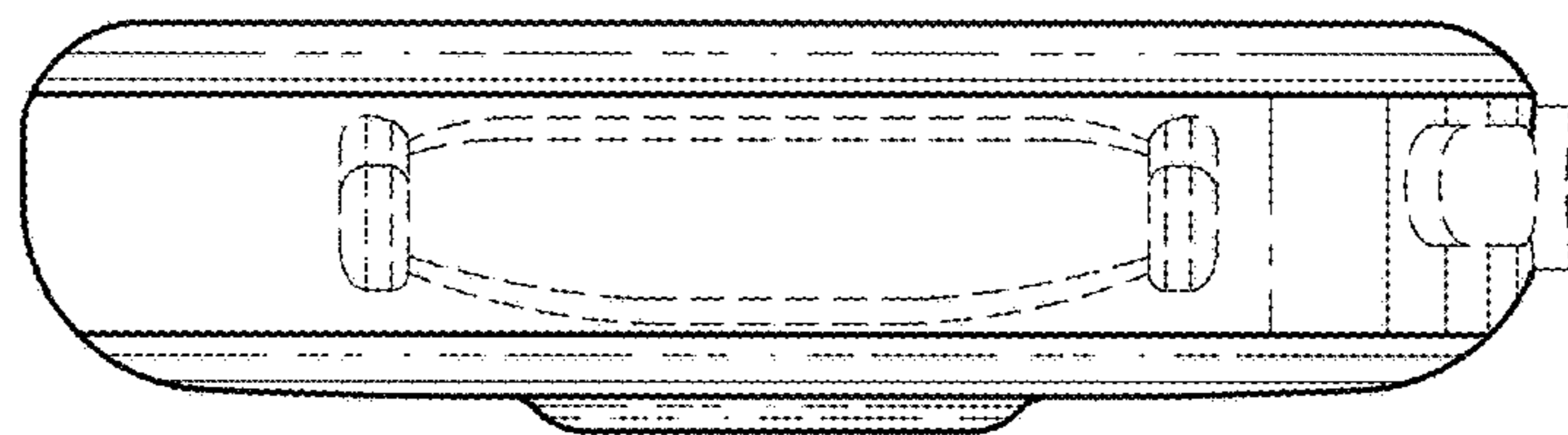
*FIG. 5*



*FIG. 6*



*FIG. 7*



*FIG. 8*