



US00D827830S

(12) **United States Design Patent** (10) **Patent No.:** **US D827,830 S**  
**Aidehag** (45) **Date of Patent:** **\*\* Sep. 4, 2018**

(54) **SPIROMETER**

(71) Applicant: **NuvoAir AB**, Stockholm (SE)  
(72) Inventor: **Fredrik Aidehag**, Stockholm (SE)  
(73) Assignee: **NuvoAir AB**, Stockholm (SE)  
(\*\*) Term: **15 Years**  
(21) Appl. No.: **29/615,732**

OTHER PUBLICATIONS

Mdspiro. <URL: <https://mdspiro.com/spiro-home-monitor>> Visited May 23, 2018. SpiroV Home Monitor.\*

*Primary Examiner* — Thomas Johannes  
*Assistant Examiner* — Lauren McVey  
(74) *Attorney, Agent, or Firm* — Tucker Ellis LLP

(57) **CLAIM**

The ornamental design for a spirometer, as shown and described.

**DESCRIPTION**

(22) Filed: **Aug. 30, 2017**

(30) **Foreign Application Priority Data**

Mar. 2, 2017 (EM) ..... 003780576

(51) **LOC (11) Cl.** ..... **24-02**

(52) **U.S. Cl.**  
USPC ..... **D24/164**

(58) **Field of Classification Search**  
USPC ..... D24/110.5, 133, 164, 186, 165  
CPC ..... A61B 5/091; A61B 5/093; A61B 5/09;  
A61B 5/087  
See application file for complete search history.

(56) **References Cited**

U.S. PATENT DOCUMENTS

D377,089 S \* 12/1996 Starr ..... D24/110.1  
5,989,917 A \* 11/1999 McAleer ..... B01L 99/00  
422/403  
D449,891 S \* 10/2001 Moro ..... D24/165  
D498,535 S \* 11/2004 Genau ..... D24/186  
D508,862 S \* 8/2005 Behar ..... D10/104.1  
D546,952 S \* 7/2007 May ..... D24/186

(Continued)

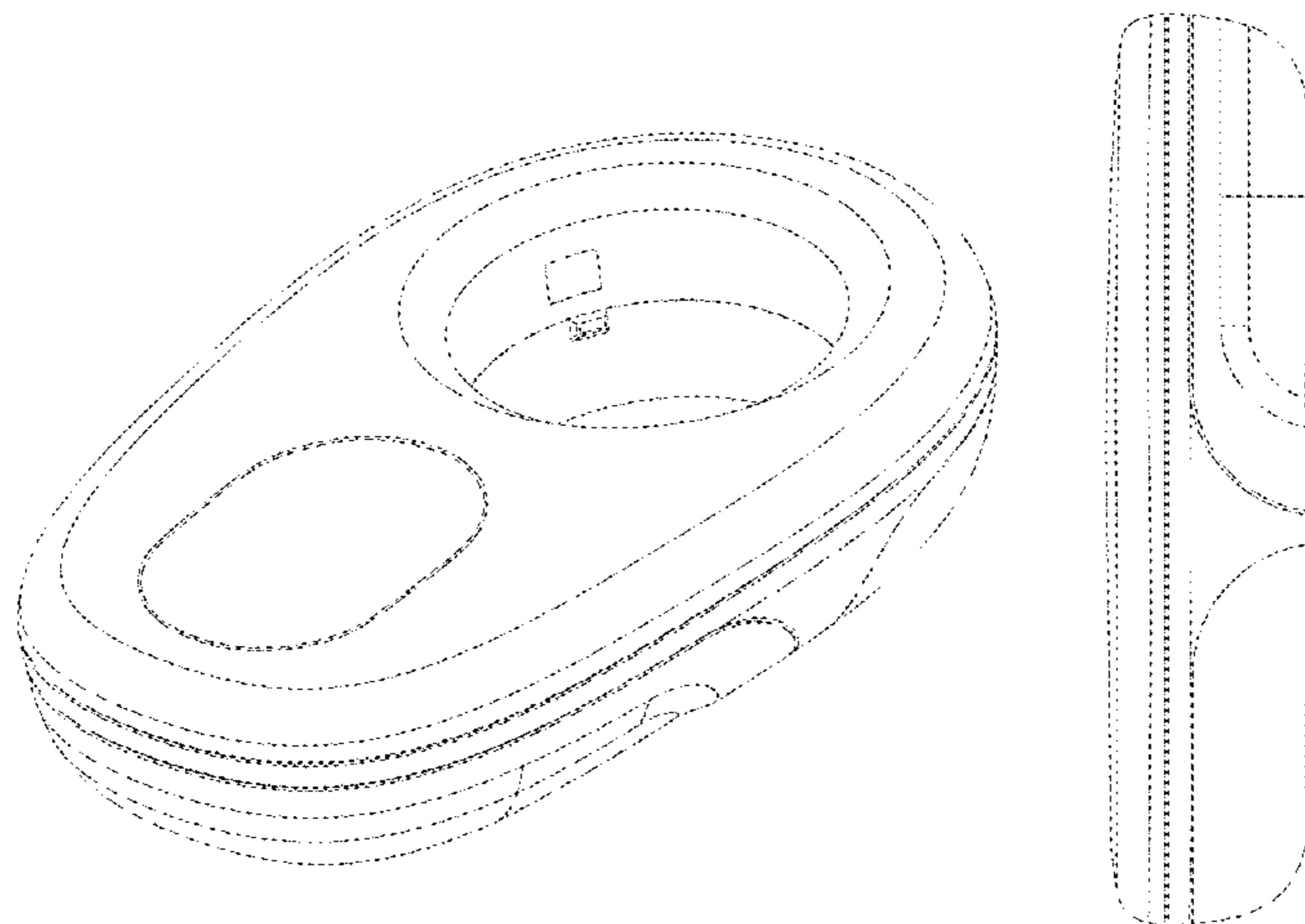
FOREIGN PATENT DOCUMENTS

WO WO 2011018788 A1 \* 2/2011 ..... A61B 5/087

FIG. 1 is a front perspective view of a first embodiment of a spirometer, showing my new design; FIG. 2 is a rear perspective view thereof; FIG. 3 is a front elevation view thereof; FIG. 4 is a rear elevation view thereof; FIG. 5 is a left side elevation view thereof; FIG. 6 is a right side elevation view thereof; FIG. 7 is a bottom plan view thereof; FIG. 8 is a front perspective view of a second embodiment of a spirometer, showing my new design; FIG. 9 is a rear perspective view thereof; FIG. 10 is a front elevation view thereof; FIG. 11 is a rear elevation view thereof; FIG. 12 is a left side elevation view thereof; FIG. 13 is a right side elevation view thereof; FIG. 14 is a bottom plan view thereof; FIG. 15 is a front perspective view of a third embodiment of a spirometer, showing my new design; FIG. 16 is a rear perspective view thereof; FIG. 17 is a front elevation view thereof; FIG. 18 is a rear elevation view thereof; FIG. 19 is a left side elevation view thereof; FIG. 20 is a right side elevation view thereof; and, FIG. 21 is a bottom plan view thereof.

The broken lines are for the purpose of illustrating portions of the spirometer and form no part of the claimed design. The wire frame lines shown throughout the views are intended to indicate surface contour.

**1 Claim, 12 Drawing Sheets**



(56)

**References Cited**

U.S. PATENT DOCUMENTS

D556,900 S \* 12/2007 Guney ..... D24/110.1  
D597,211 S \* 7/2009 Ewing ..... D24/187  
D628,105 S \* 11/2010 Lee ..... D10/96  
D630,313 S \* 1/2011 Pidgeon ..... D24/108  
D757,275 S \* 5/2016 Lee ..... D24/187  
D815,292 S \* 4/2018 Goldman ..... D24/186  
2017/0265778 A1\* 9/2017 Reichlyn ..... A61B 5/091

\* cited by examiner

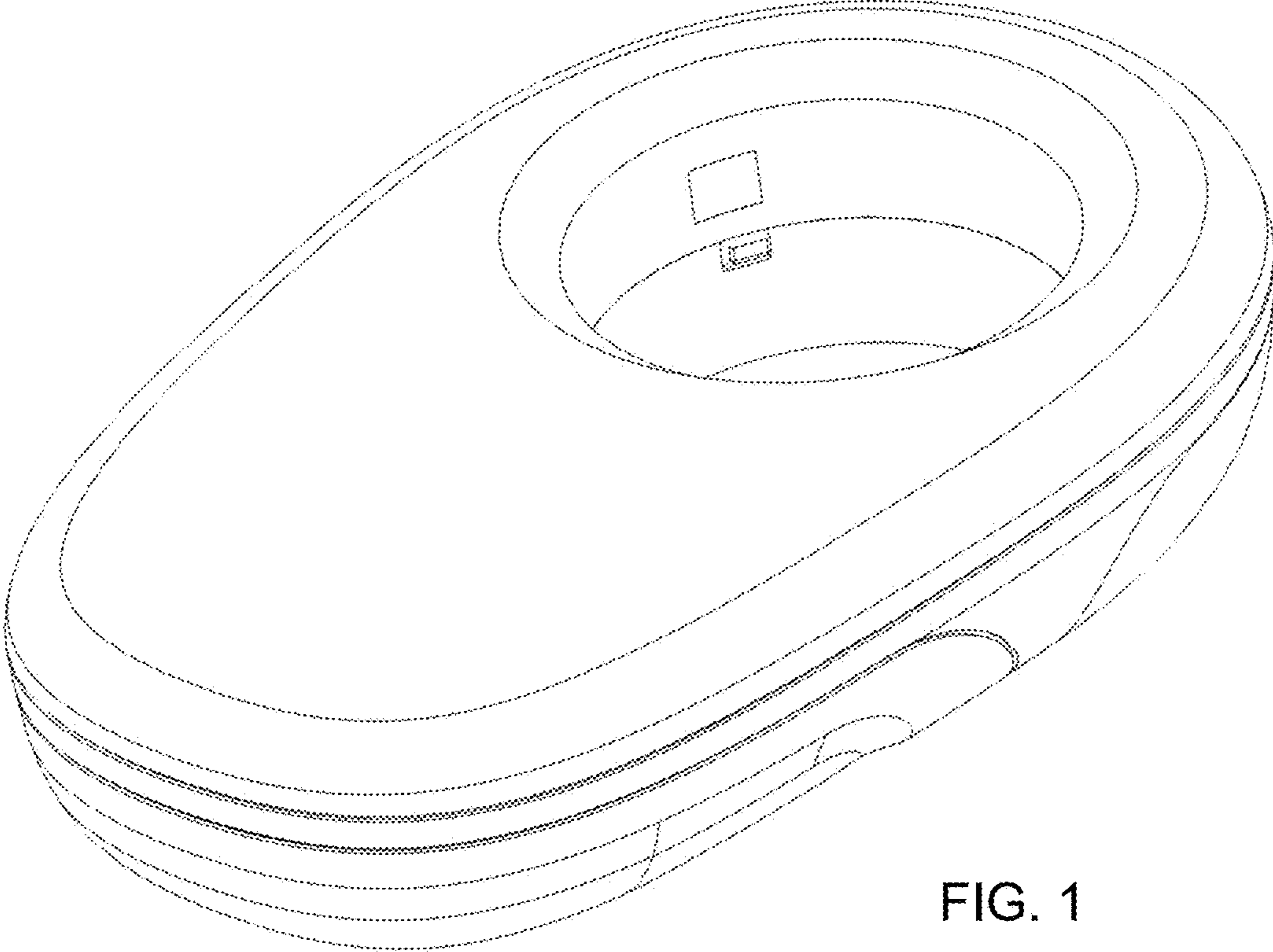


FIG. 1

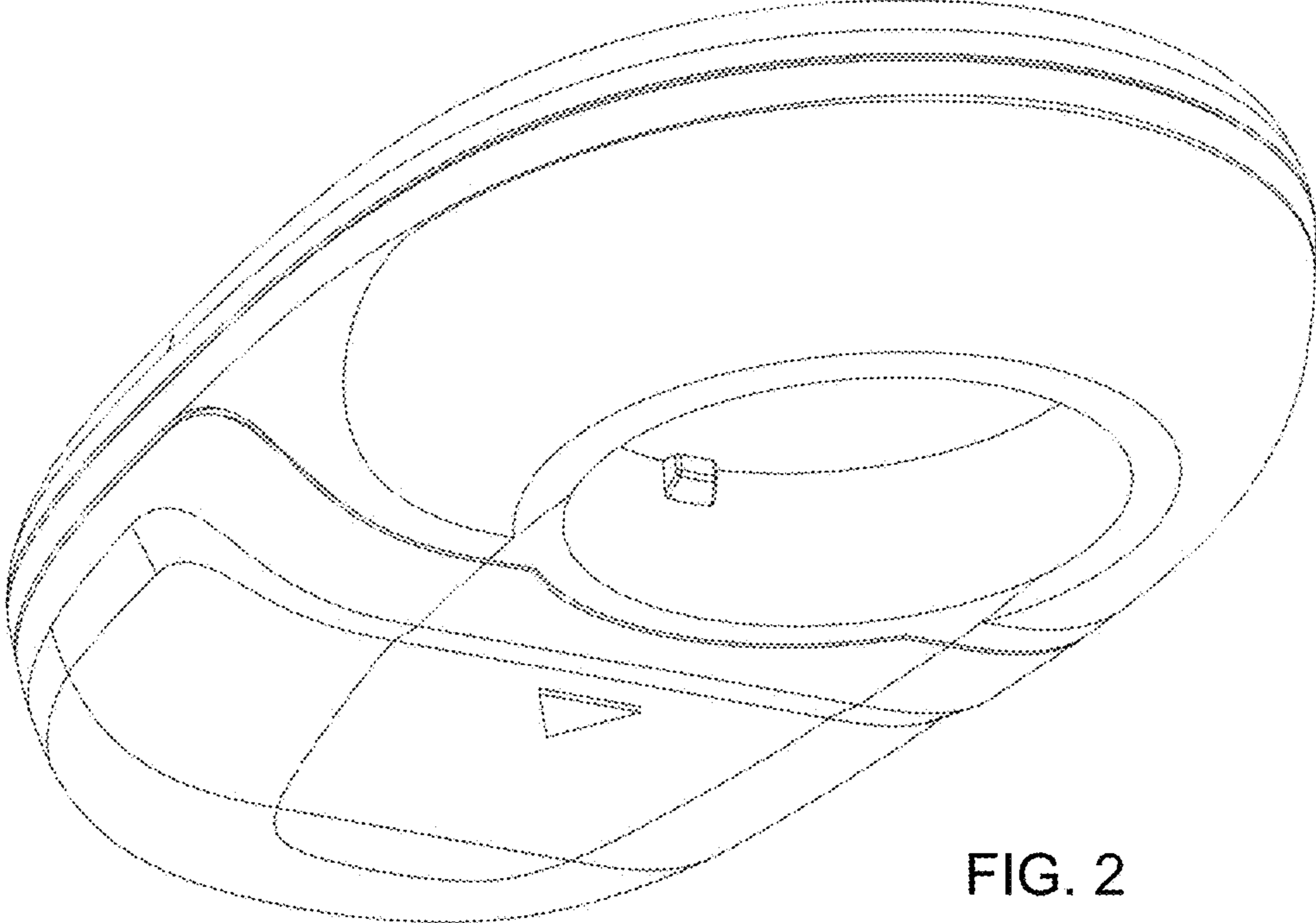


FIG. 2

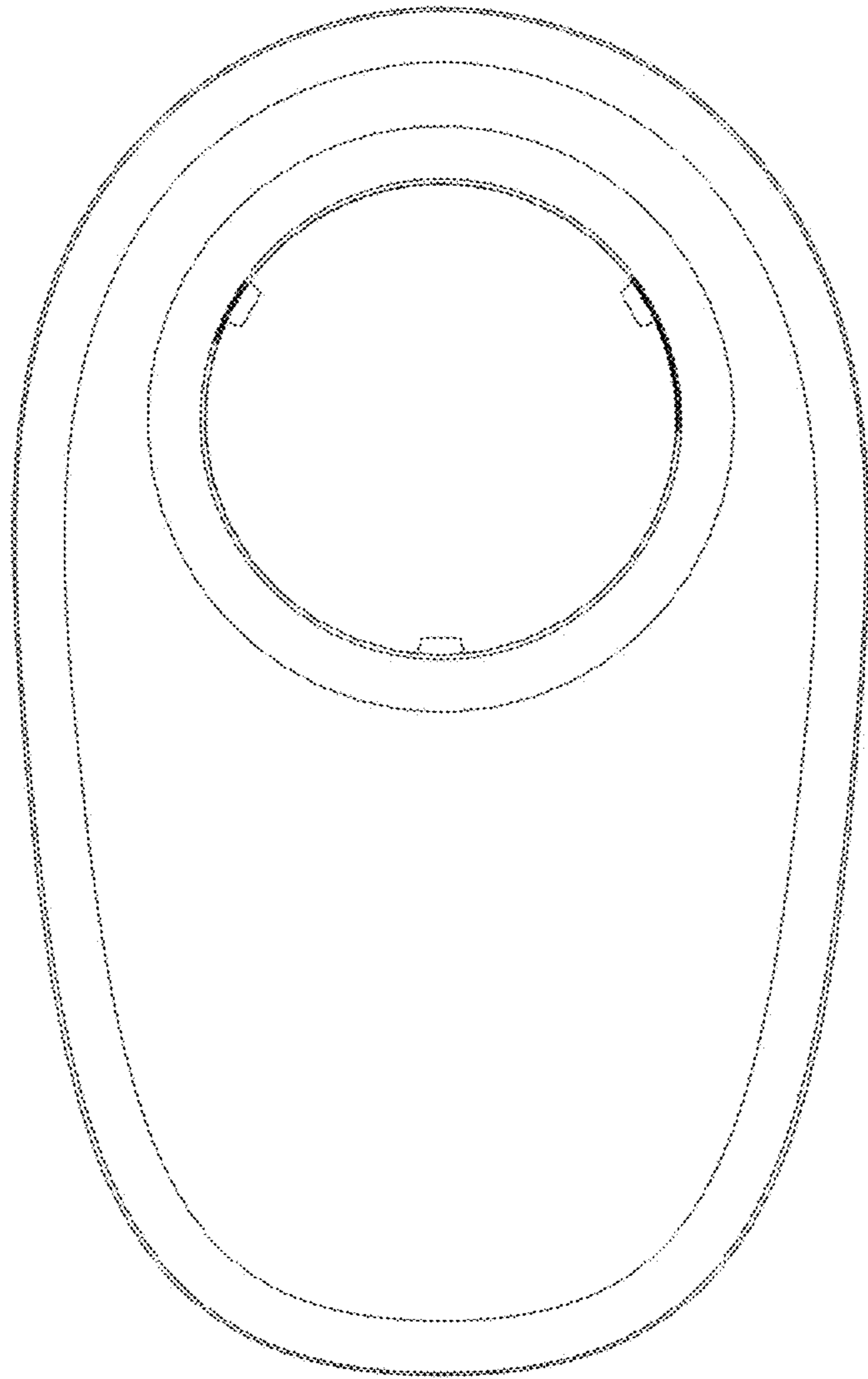


FIG. 3

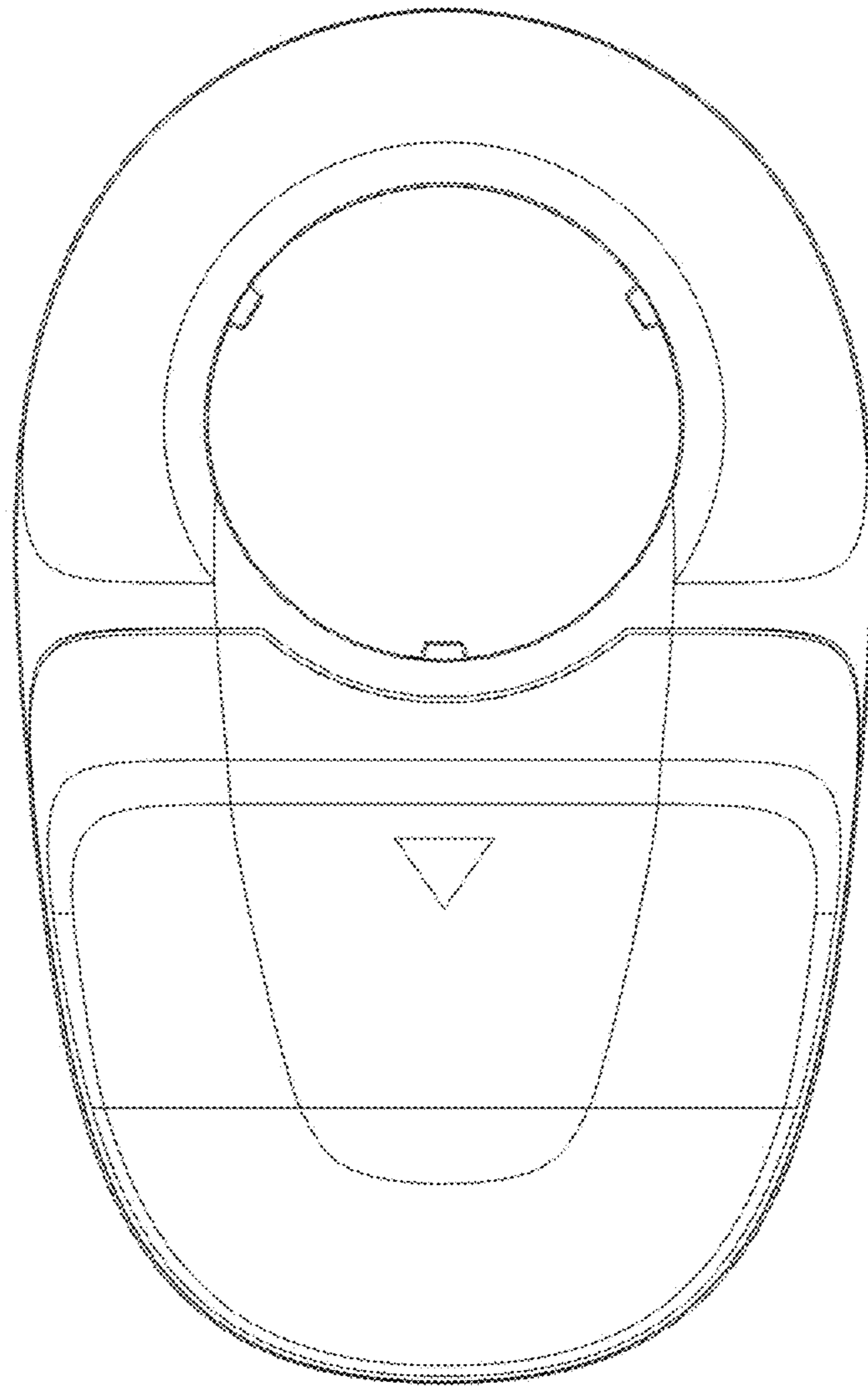


FIG. 4

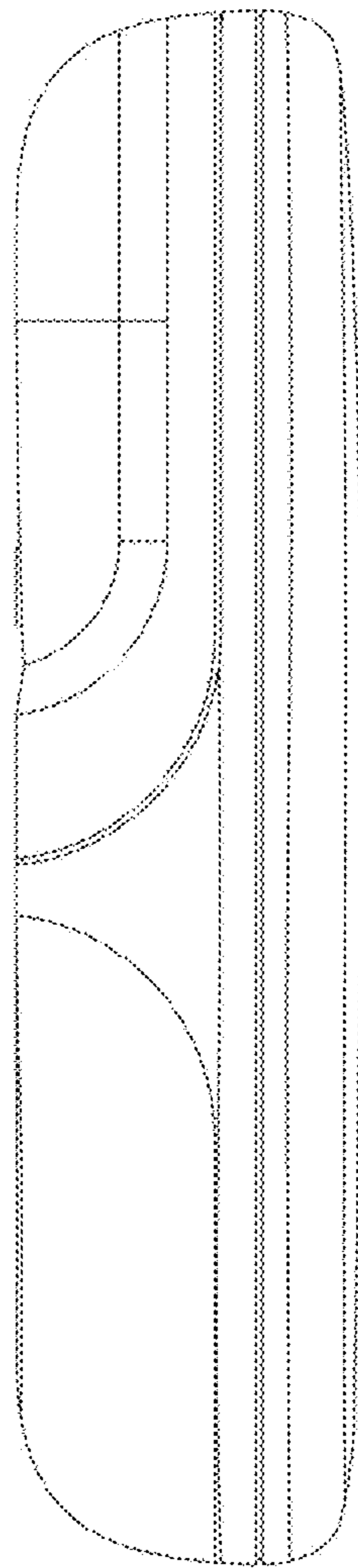


FIG. 5

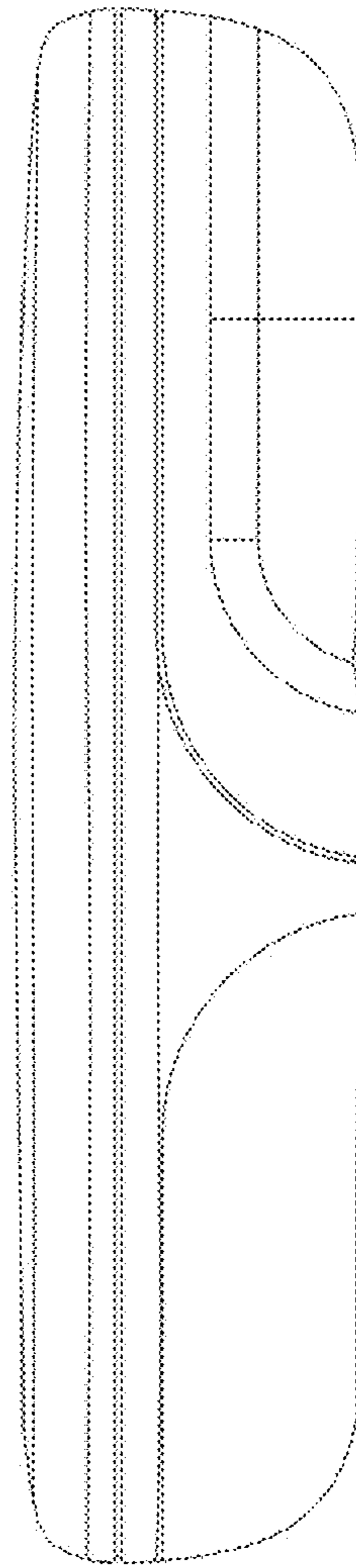


FIG. 6

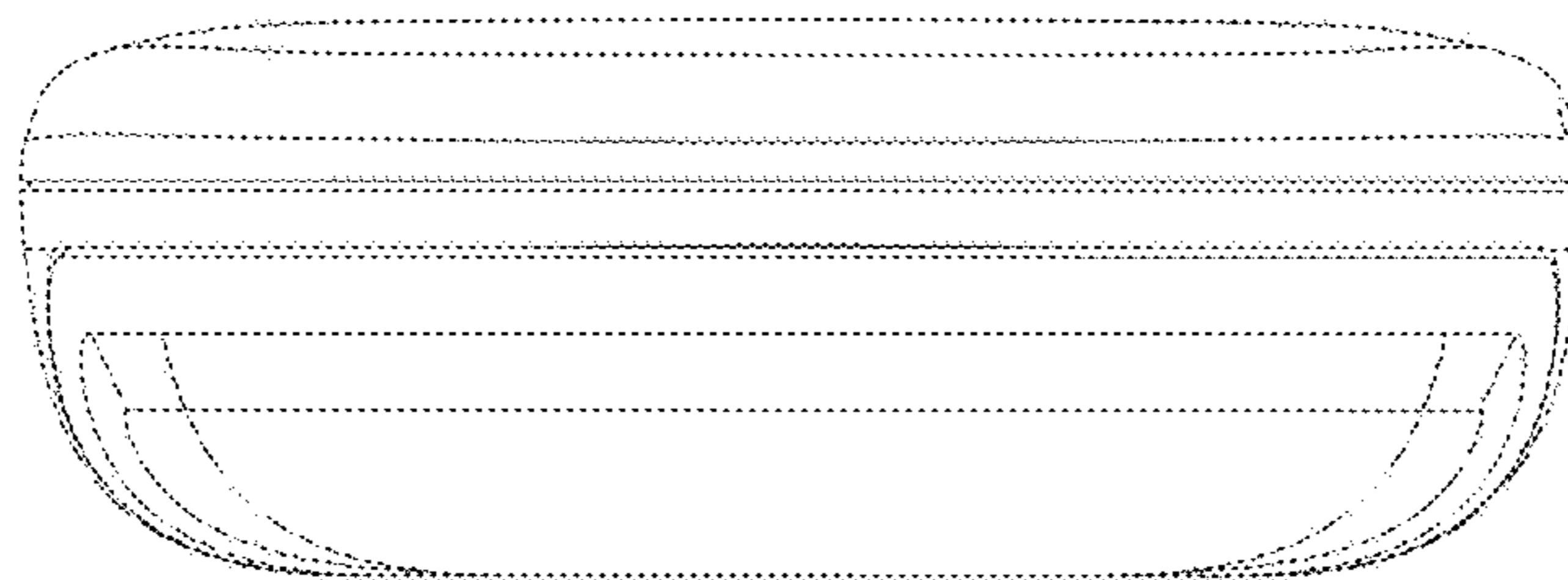


FIG. 7

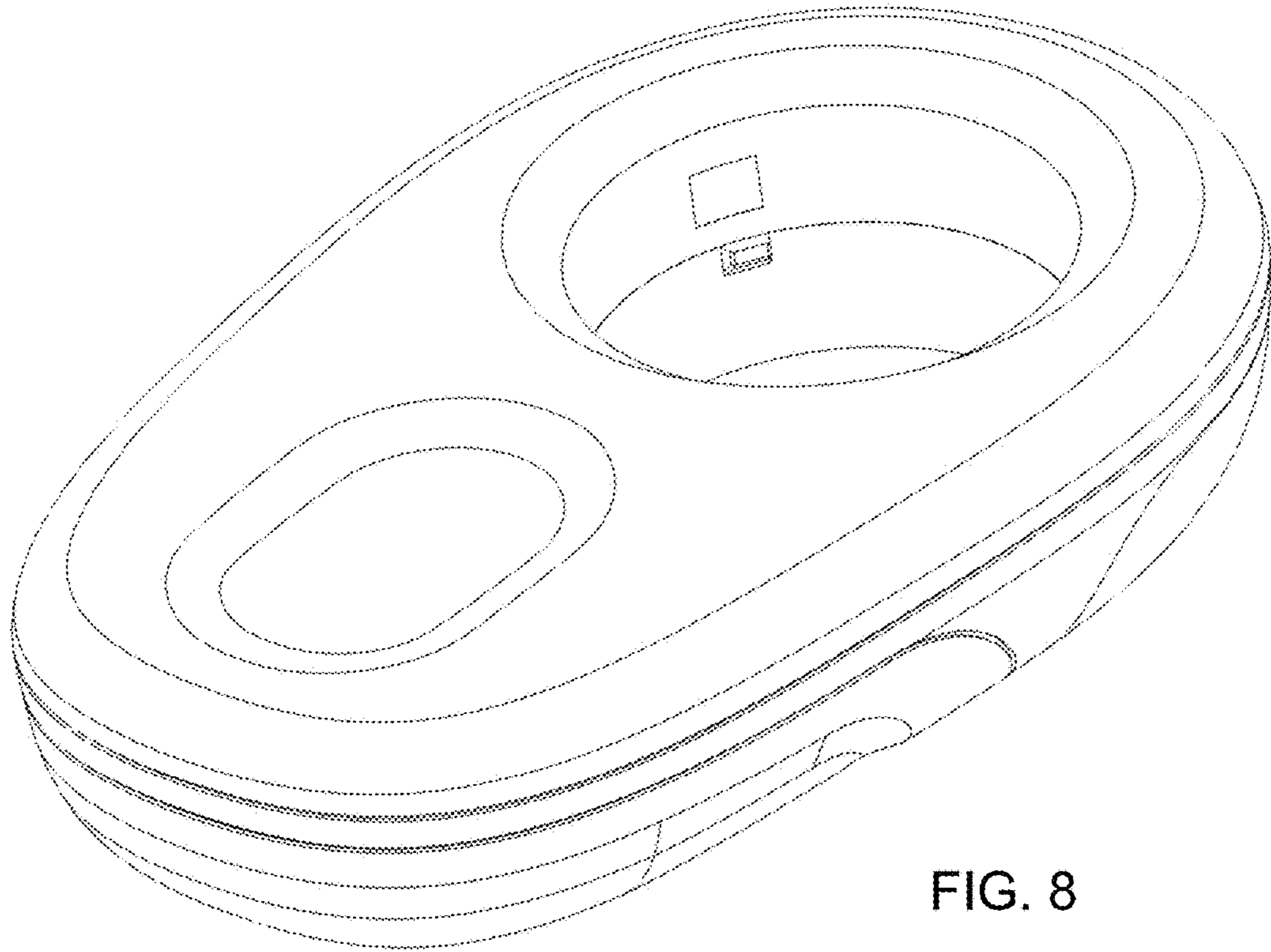


FIG. 8

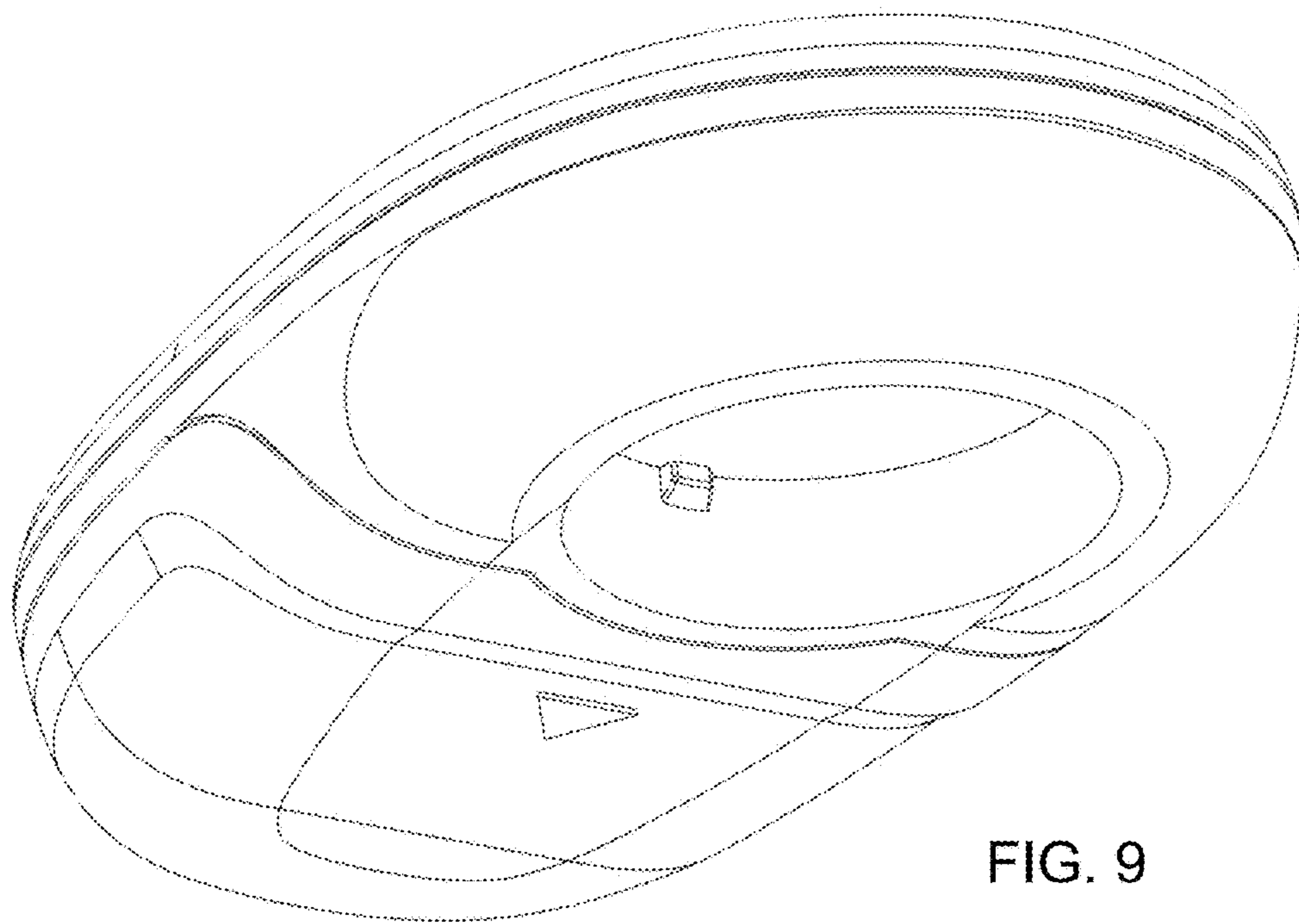


FIG. 9

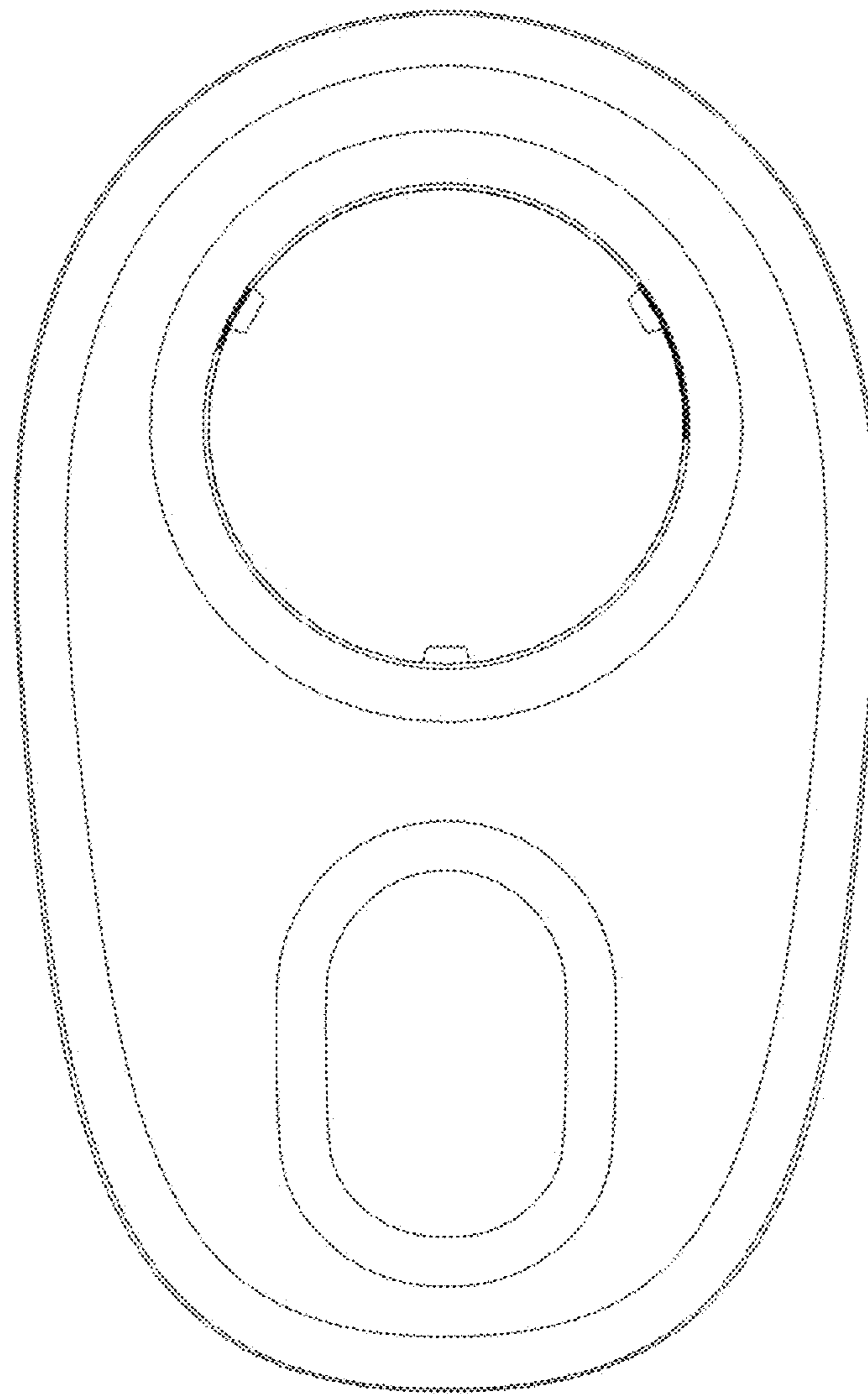


FIG. 10



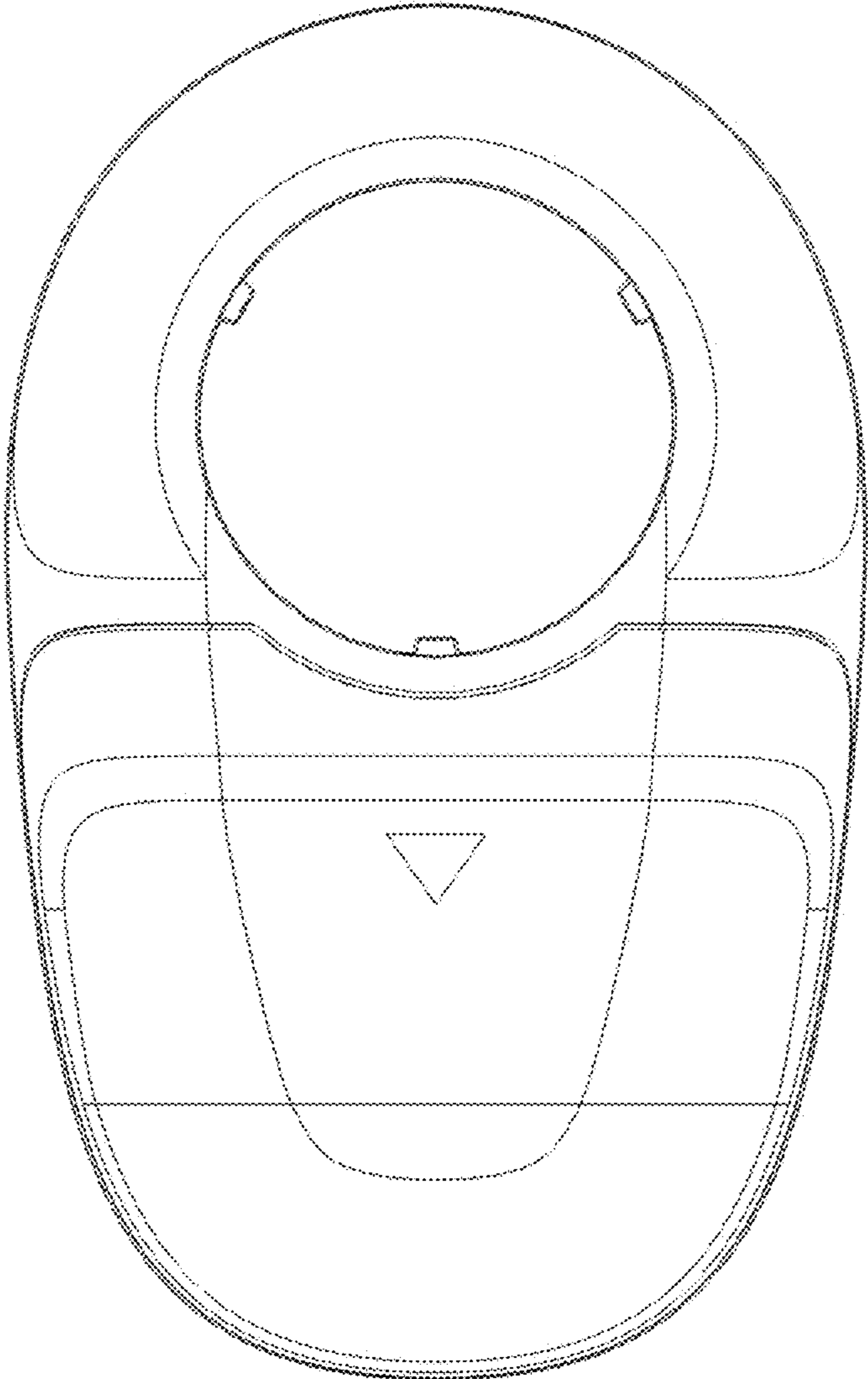


FIG. 11

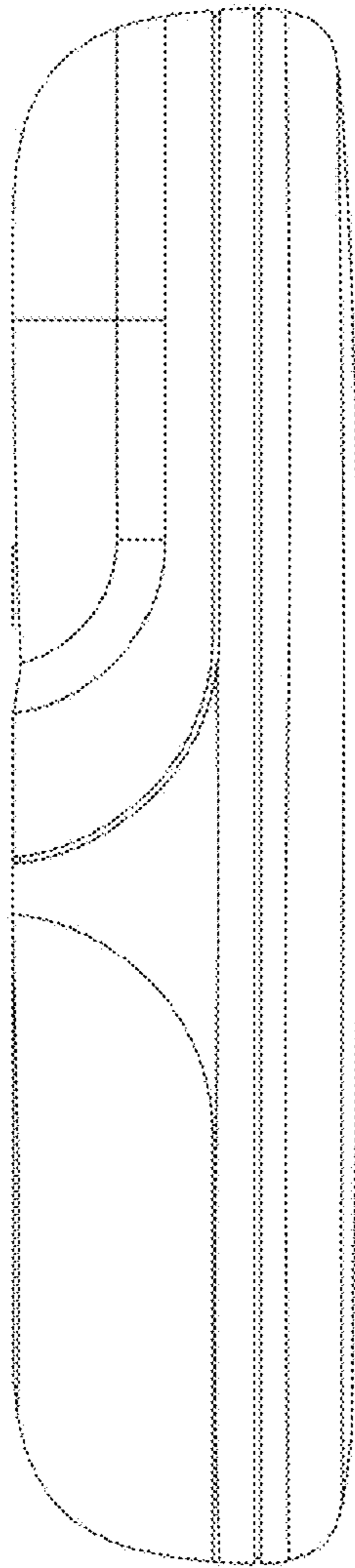


FIG. 12

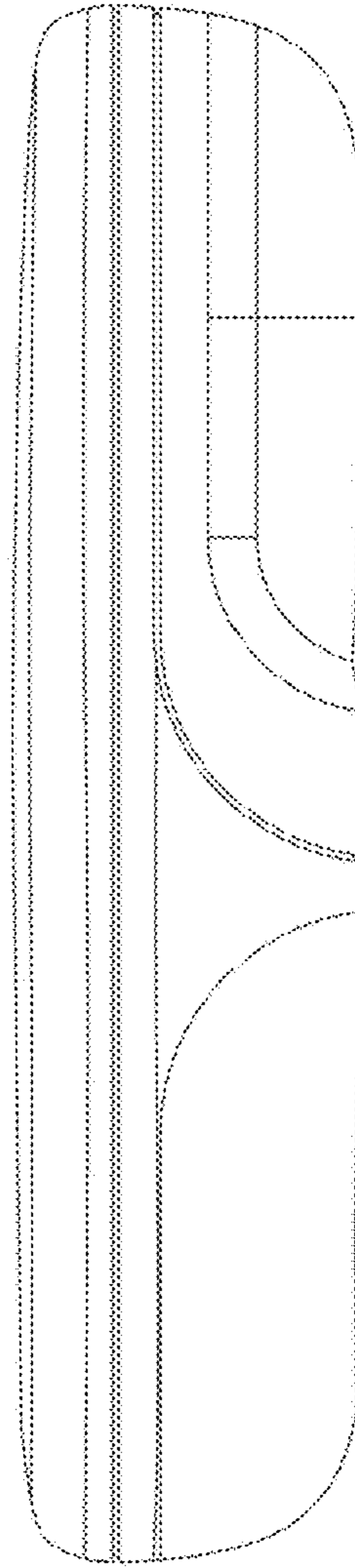


FIG. 13

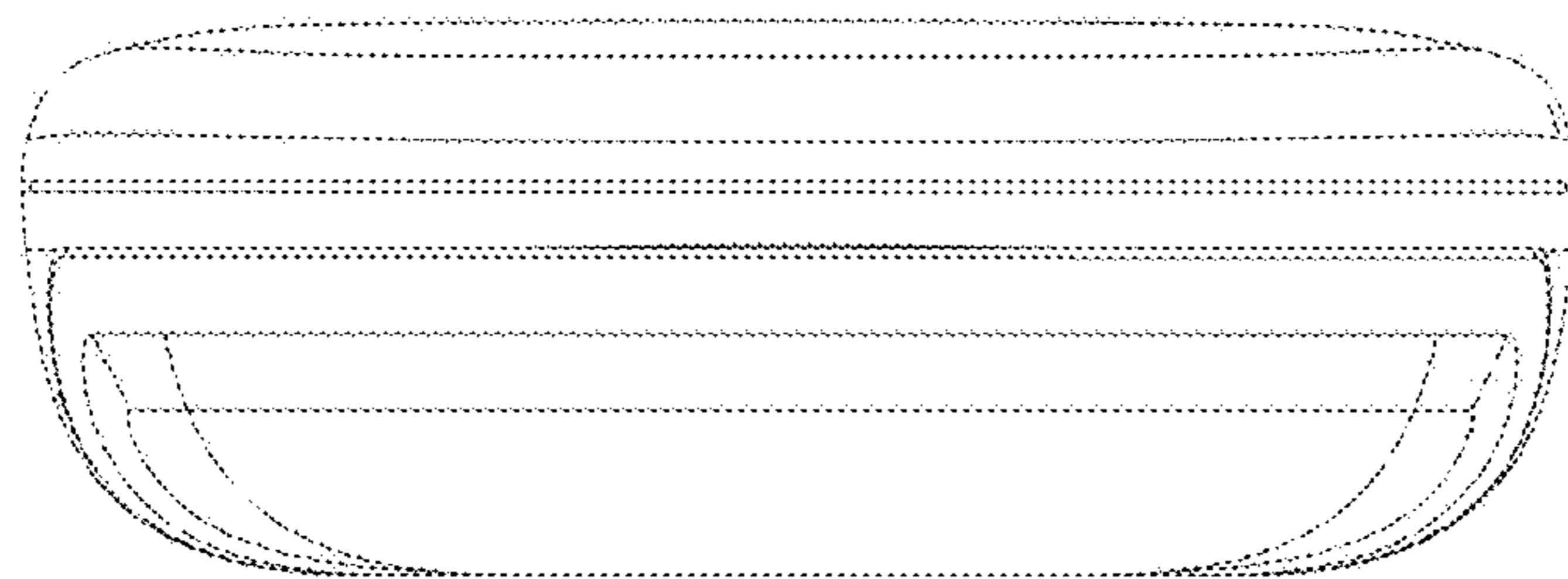


FIG. 14

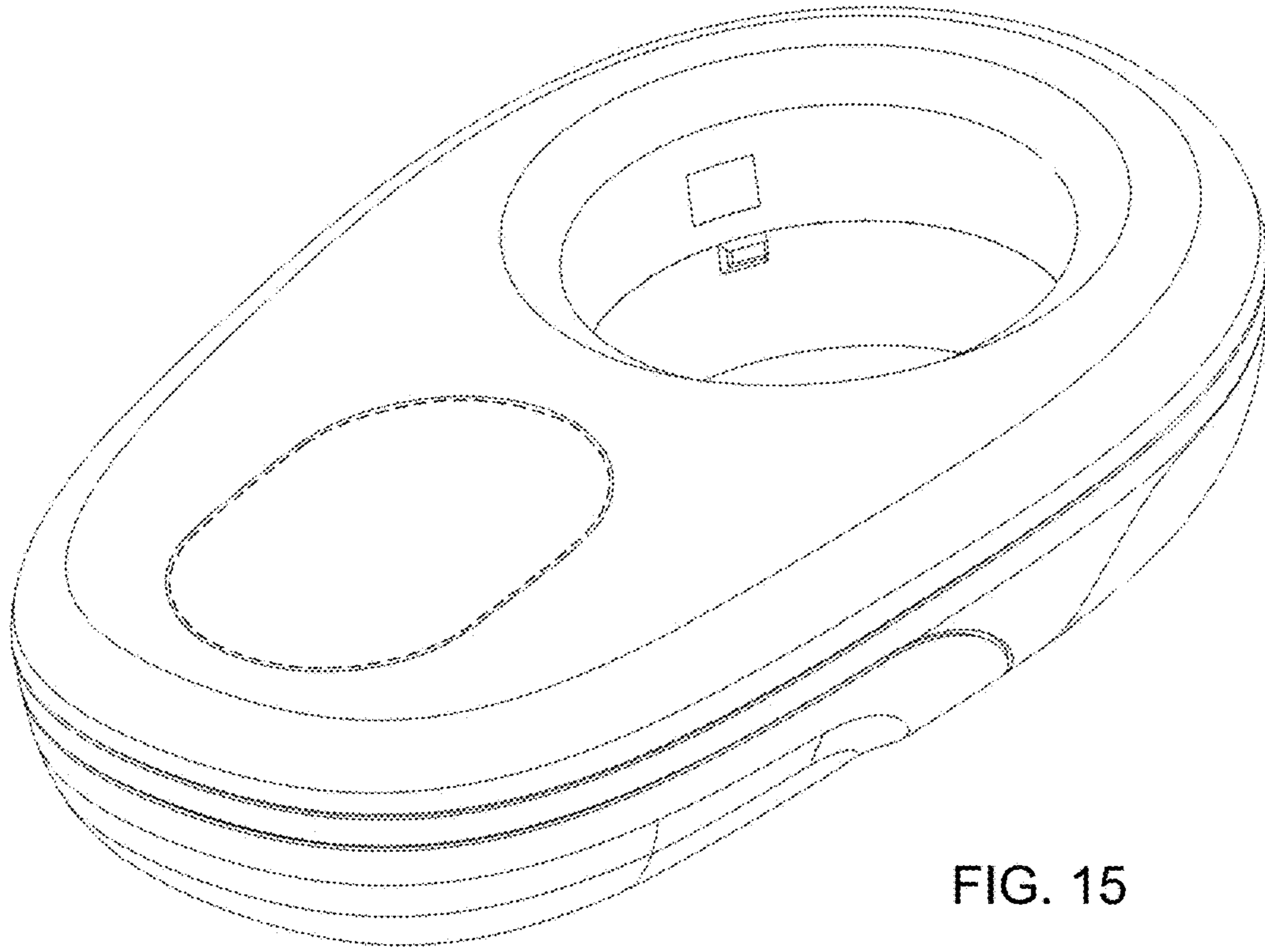


FIG. 15

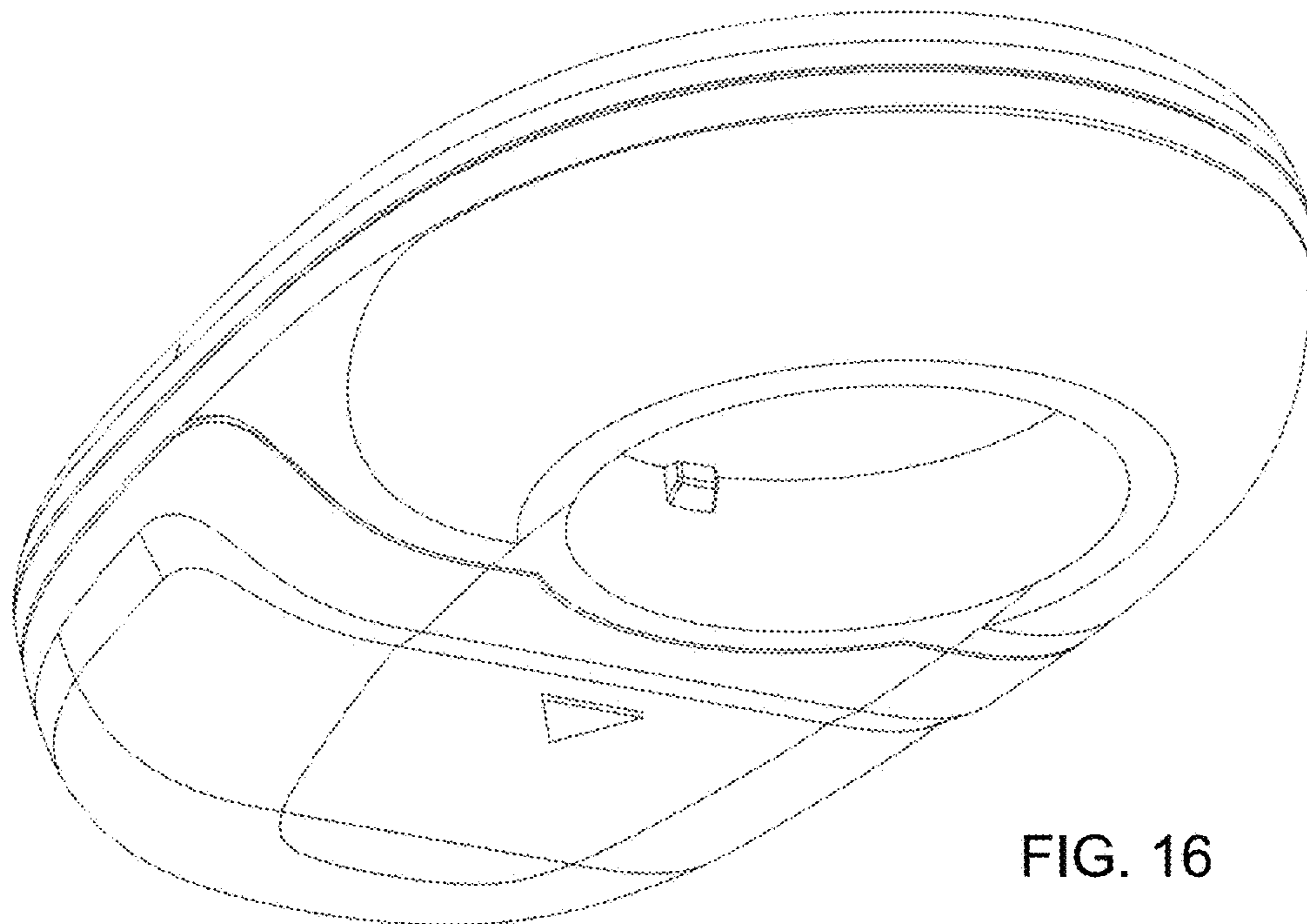


FIG. 16

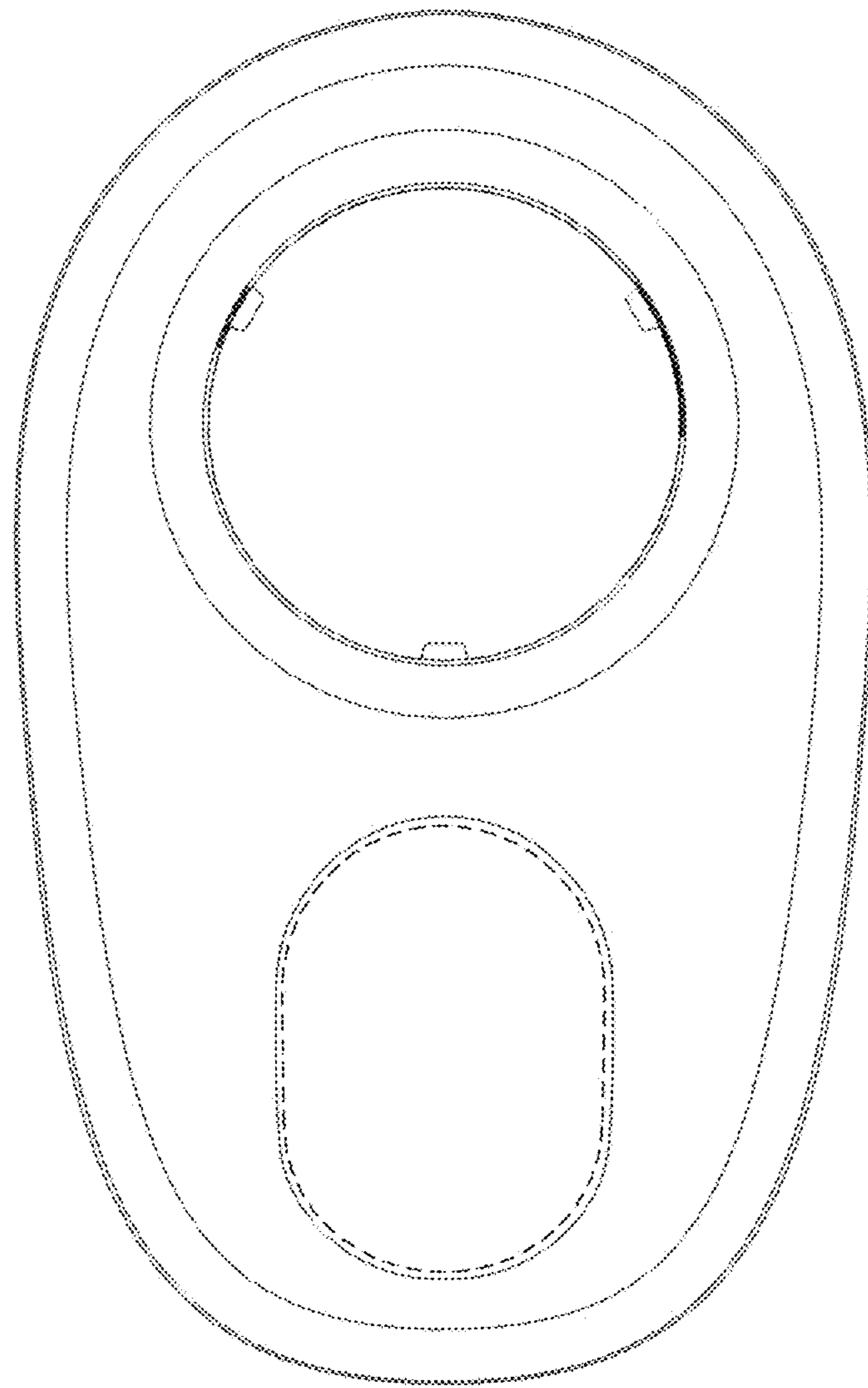


FIG. 17

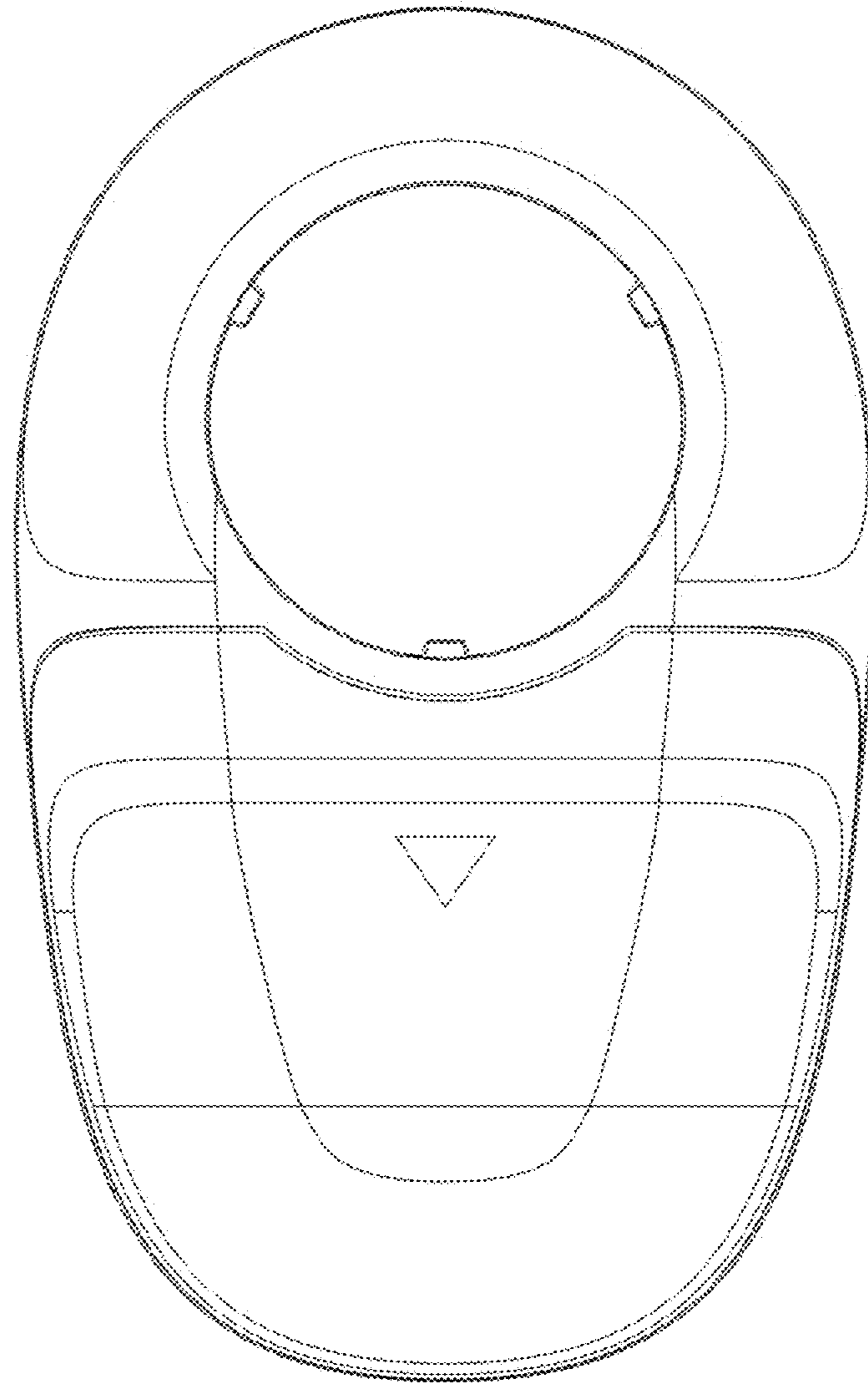


FIG. 18

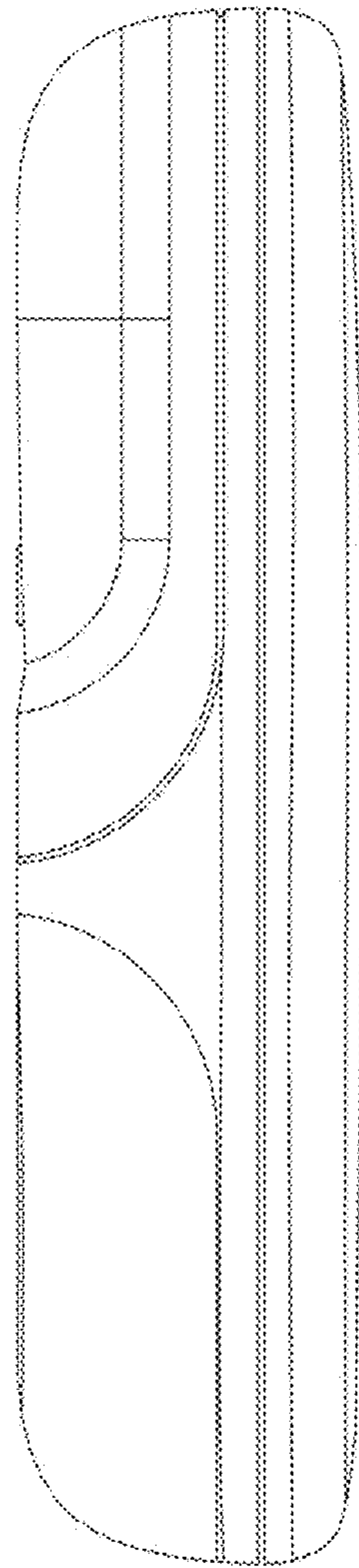


FIG. 19

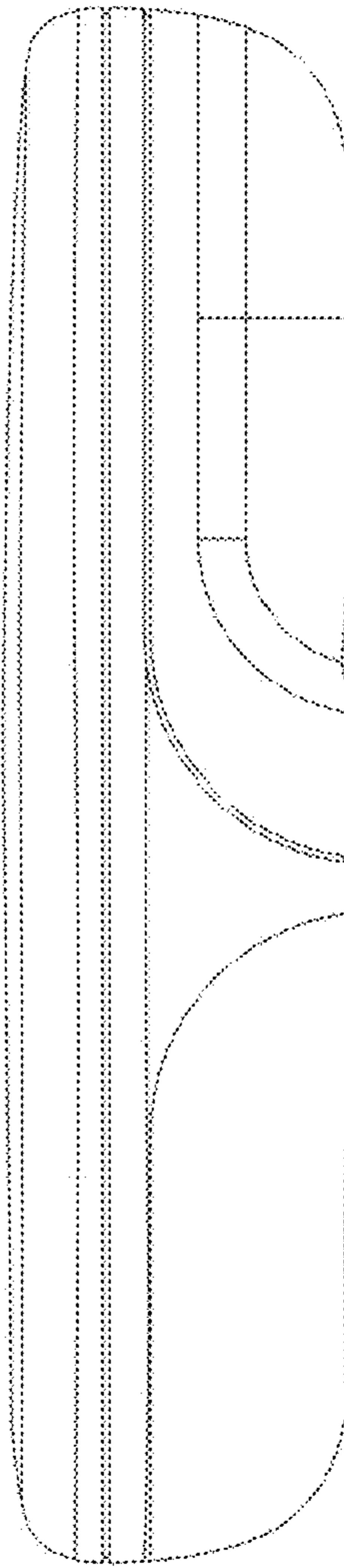


FIG. 20

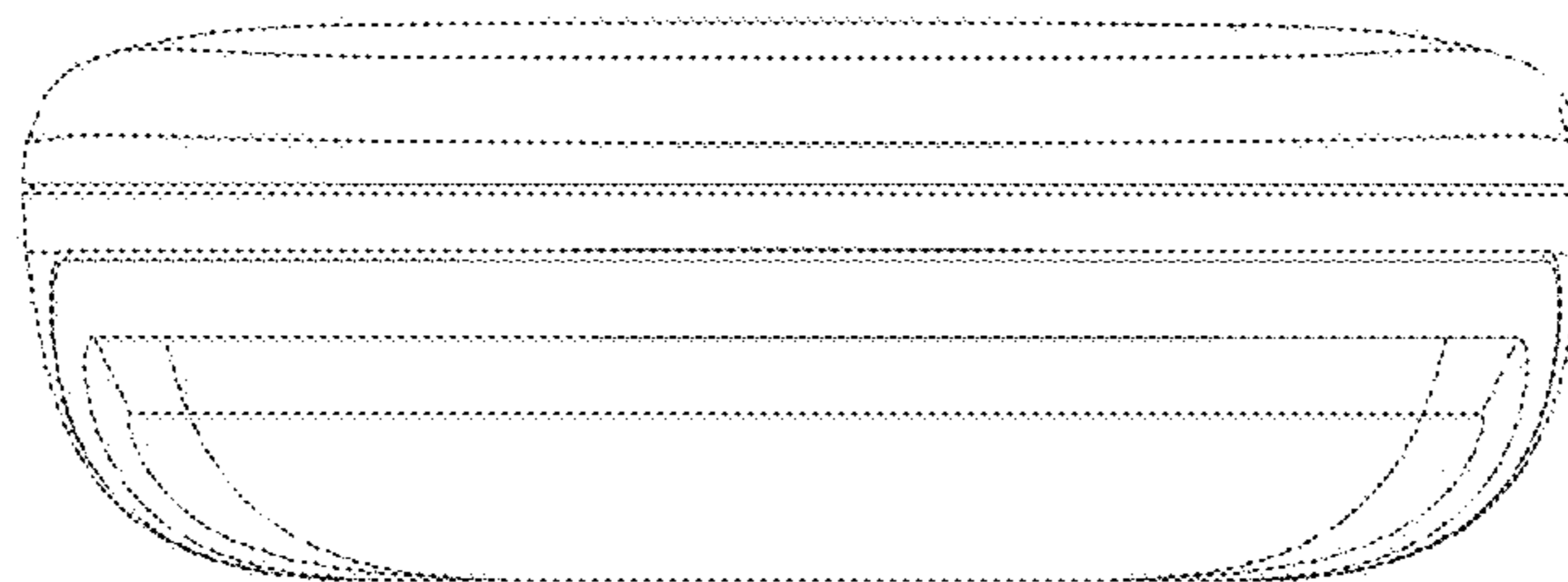


FIG. 21