



US00D827829S

(12) **United States Design Patent**
Meng

(10) **Patent No.:** **US D827,829 S**

(45) **Date of Patent:** **** Sep. 4, 2018**

(54) **PERSONAL MEDICAL DEVICE**

(71) Applicant: **PMD Healthcare**, Allentown, PA (US)

(72) Inventor: **Wayne Meng**, Fogelsville, PA (US)

(73) Assignee: **PMD HEALTHCARE**, Allentown, PA (US)

(**) Term: **15 Years**

(21) Appl. No.: **29/600,905**

(22) Filed: **Apr. 17, 2017**

(51) **LOC (11) Cl.** **24-00**

(52) **U.S. Cl.**
USPC **D24/164**

(58) **Field of Classification Search**

USPC D24/110, 110.5, 110.6, 164
CPC A61B 5/08; A61B 5/0803; A61B 5/0806;
A61B 5/0809; A61B 5/0813; A61B
5/0816; A61B 5/082; A61B 5/0823; A61B
5/0826; A61B 5/083; A61B 5/0833; A61B
5/0836; A61B 5/085; A61B 5/087; A61B
5/0871; A61B 5/0873; A61B 5/0875;
A61B 5/0878; A61B 5/09; A61B 5/091;
A61B 5/093; A61B 5/0935; A61B 5/095;
A61B 5/097; A61B 5/682

See application file for complete search history.

(56) **References Cited**

U.S. PATENT DOCUMENTS

6,367,475 B1 * 4/2002 Kofoed A61B 5/087
128/200.24
6,824,520 B2 * 11/2004 Orr A61B 5/087
600/529
D693,468 S * 11/2013 Meng D24/164

* cited by examiner

Primary Examiner — Antoine Duval Davis

(74) *Attorney, Agent, or Firm* — FisherBroyles, LLP

(57) **CLAIM**

The ornamental design for the personal medical device, as shown and described.

DESCRIPTION

FIG. 1 is a perspective view of a personal medical device showing my new design;

FIG. 2 is a front side view thereof;

FIG. 3 is a back side view thereof;

FIG. 4 is a right side view thereof;

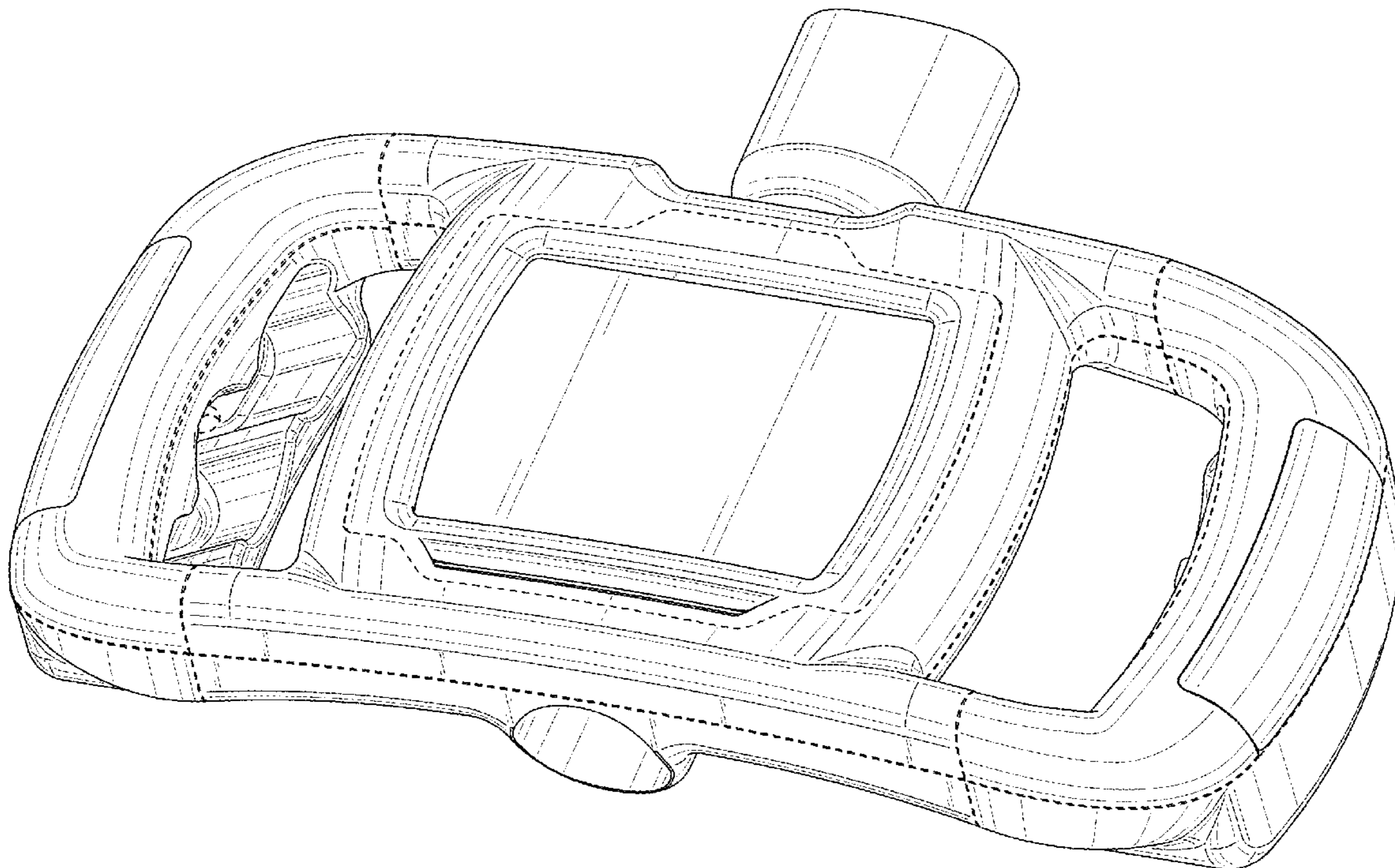
FIG. 5 is a left side view thereof;

FIG. 6 is a top view thereof; and,

FIG. 7 is a bottom view thereof.

The broken lines shown herein are for illustrative purposes only and form no part of the claimed design.

1 Claim, 7 Drawing Sheets



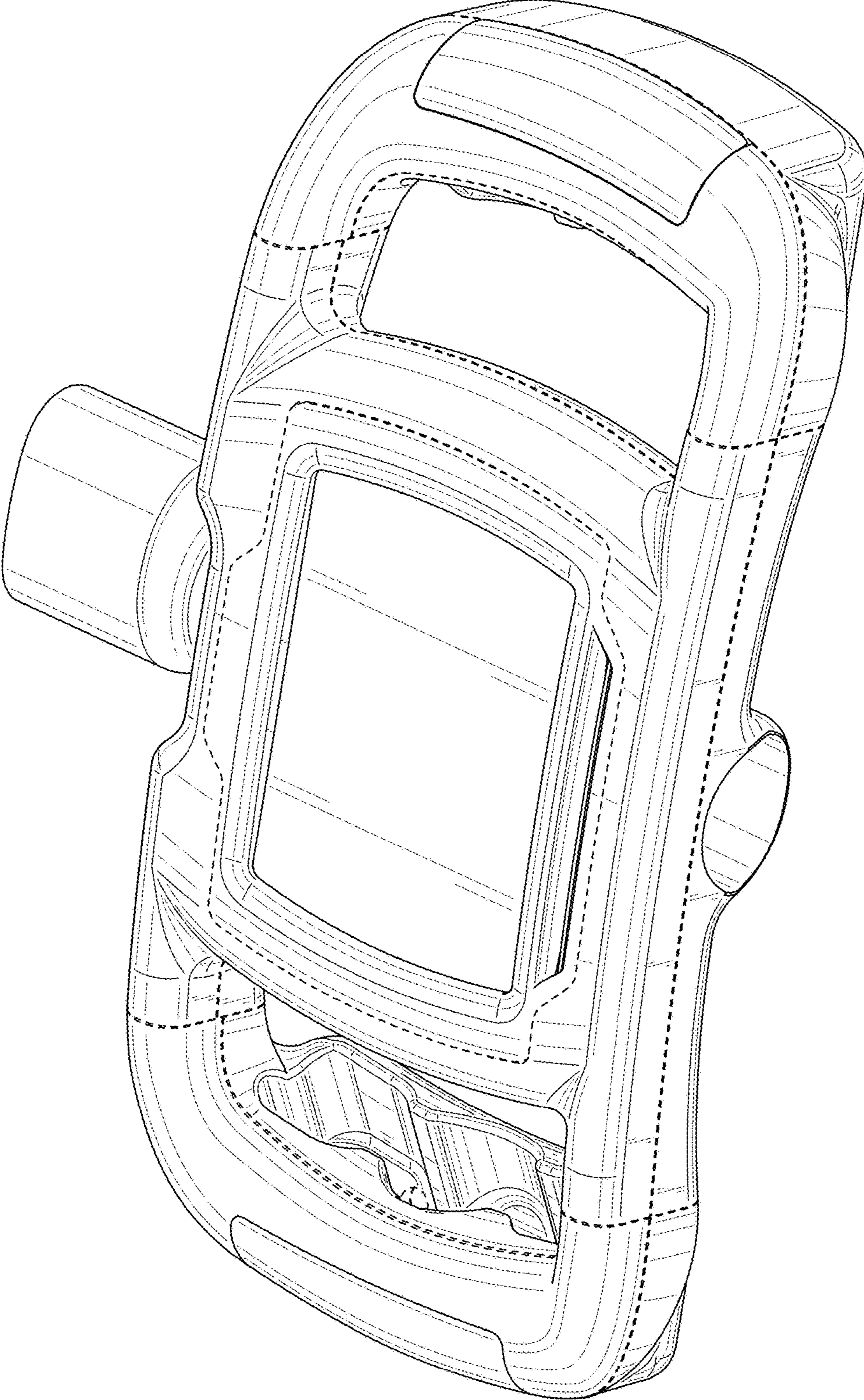


FIG. 1

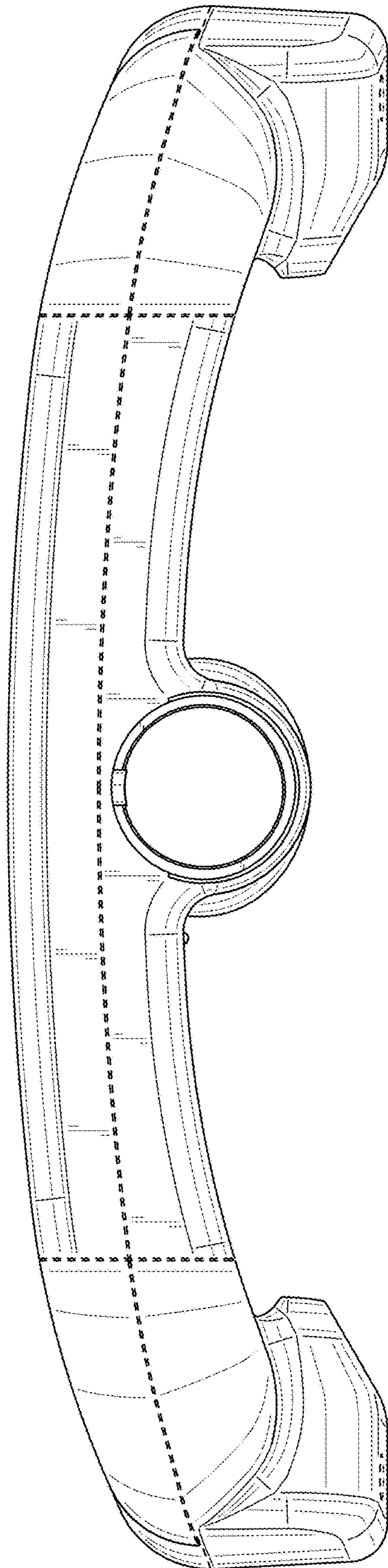


FIG. 2

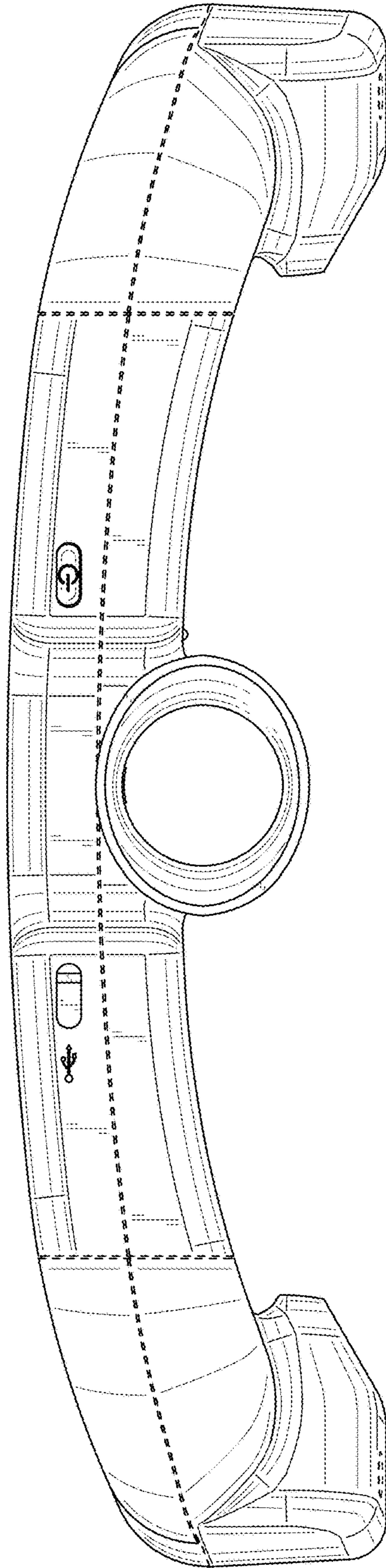


FIG. 3

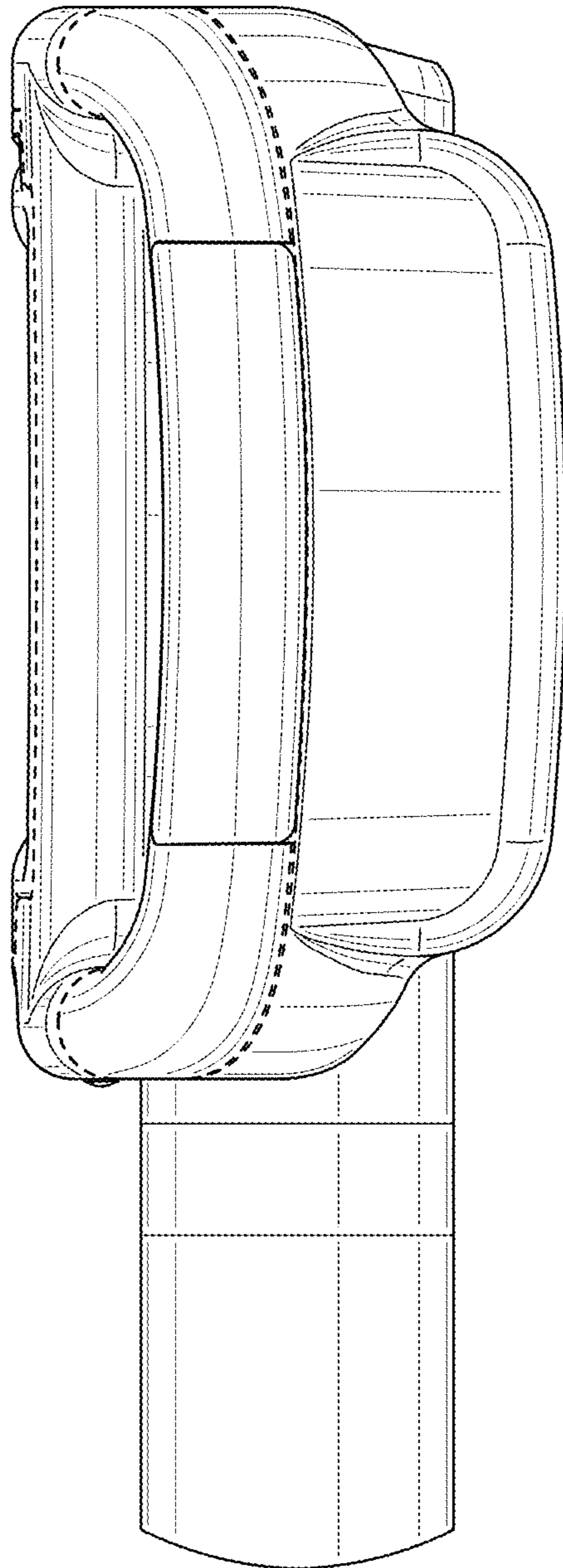


FIG. 4

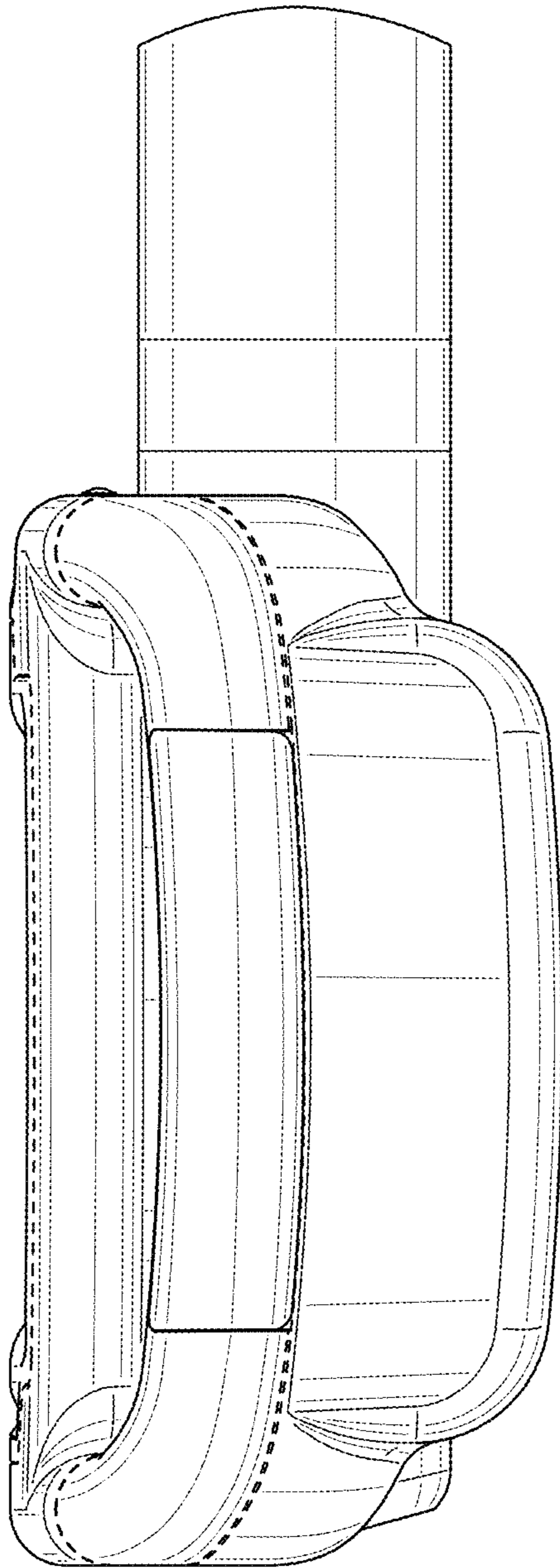


FIG. 5

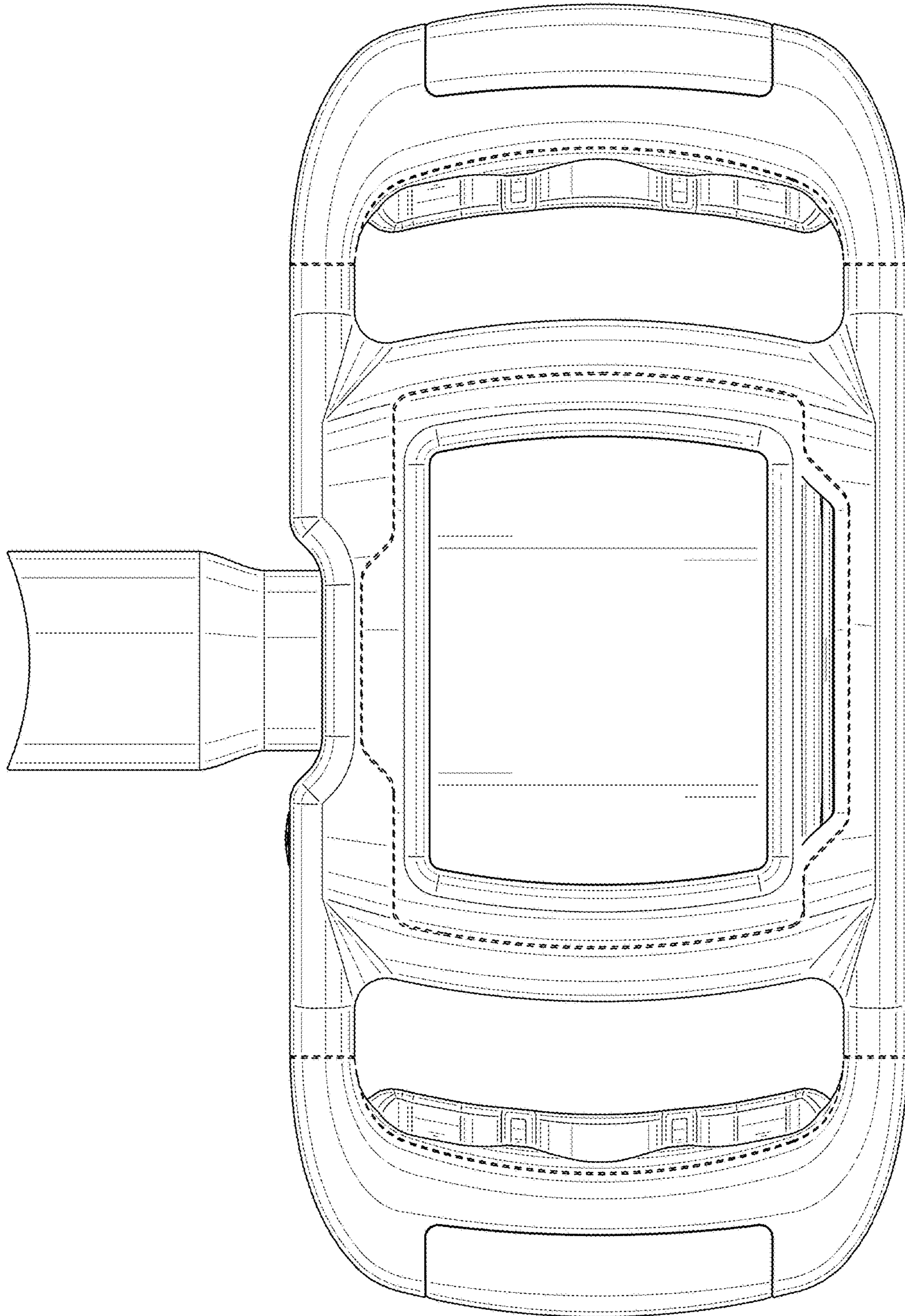


FIG. 6

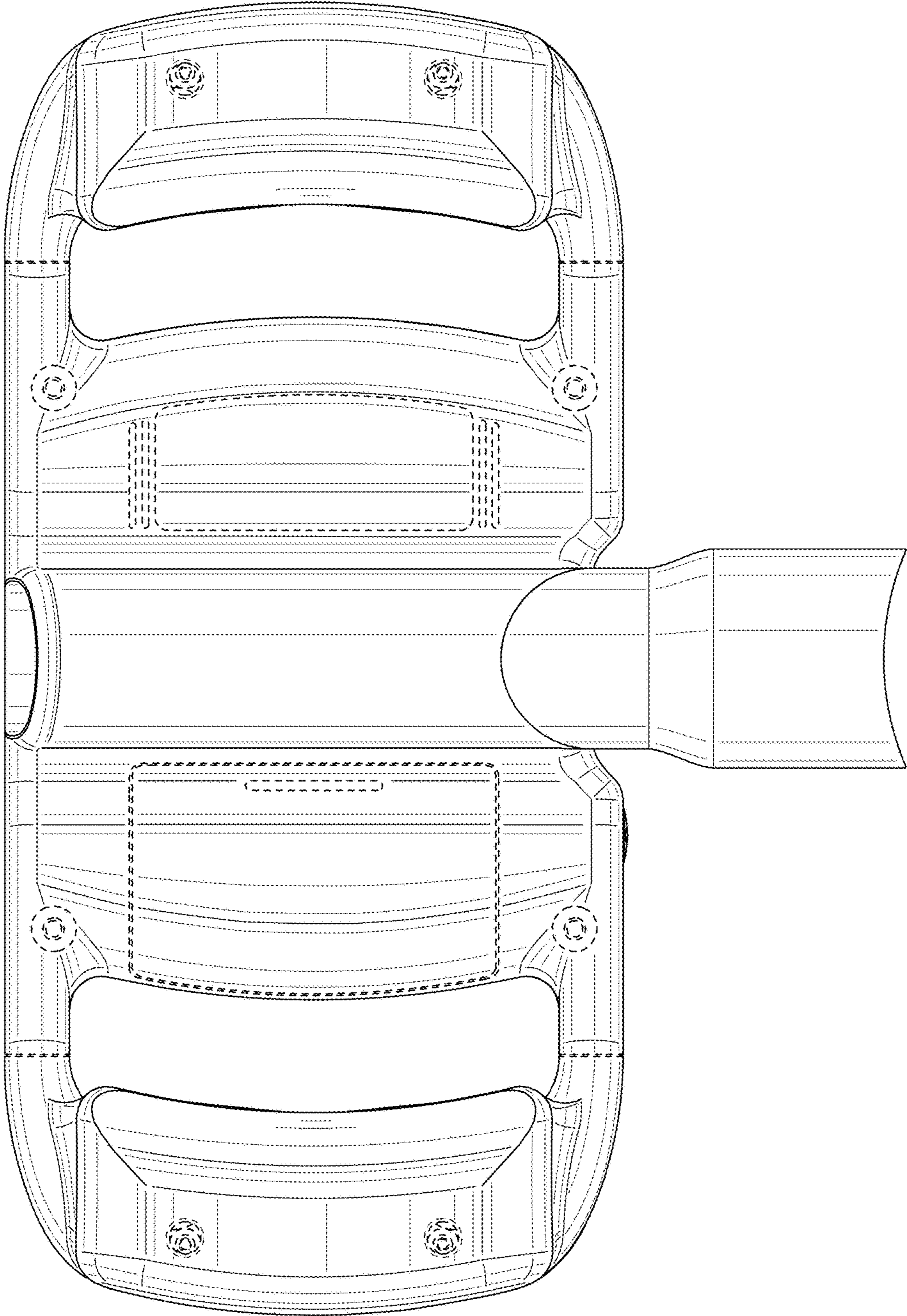


FIG. 7