



US00D827827S

(12) **United States Design Patent** (10) **Patent No.:** **US D827,827 S**
Canfield et al. (45) **Date of Patent:** **** Sep. 4, 2018**

- (54) **FACIAL IMAGING BOOTH**
- (71) Applicant: **Canfield Scientific, Incorporated**, Parsippany, NJ (US)
- (72) Inventors: **Douglas Comrie Canfield**, Millburn, NJ (US); **Daniel Eric DiGregorio**, Little Falls, NJ (US); **James Paul Dornbusch**, Califon, NJ (US); **Stefan Assenov Kirov**, Morristown, NJ (US)
- (73) Assignee: **Canfield Scientific, Incorporated**, Parsippany, NJ (US)
- (**) Term: **15 Years**
- (21) Appl. No.: **29/566,702**
- (22) Filed: **Jun. 2, 2016**
- (51) **LOC (11) Cl.** **24-01**
- (52) **U.S. Cl.**
USPC **D24/158**
- (58) **Field of Classification Search**
USPC D24/107, 158–161, 185, 186, 187, 231; D16/215; D25/16
CPC A61B 5/441–5/445; A61B 5/0071; A61B 5/0072; A61B 5/0073; A61B 5/0059; A61B 5/2252; A61B 5/6888
See application file for complete search history.

(56) **References Cited**
U.S. PATENT DOCUMENTS

D548,326 S *	8/2007	Asai	D24/107
D564,663 S *	3/2008	Udagawa	D24/158
D590,507 S *	4/2009	Krishnan	D24/186
D743,553 S *	11/2015	Curiel	D24/158
D757,939 S *	5/2016	Tsujita	D24/158
2004/0125996 A1 *	7/2004	Eddowes	A61B 5/0059 382/128

2008/0079843 A1 *	4/2008	Pote	A61B 5/0059 348/371
2010/0309300 A1 *	12/2010	Chhibber	A61B 5/0059 348/77
2014/0243685 A1 *	8/2014	Patwardhan	A61B 5/44 600/476

OTHER PUBLICATIONS

VISIA Facial Imaging Booth, Catalog, Canfield Imaging Systems, Feb. 2003.
 OMNIA Facial Imaging System, Brochure, Canfield Imaging Systems, Feb. 2005.

* cited by examiner

Primary Examiner — Anhdao Doan

(74) Attorney, Agent, or Firm — Brosemer, Kolefas & Assoc. LLC

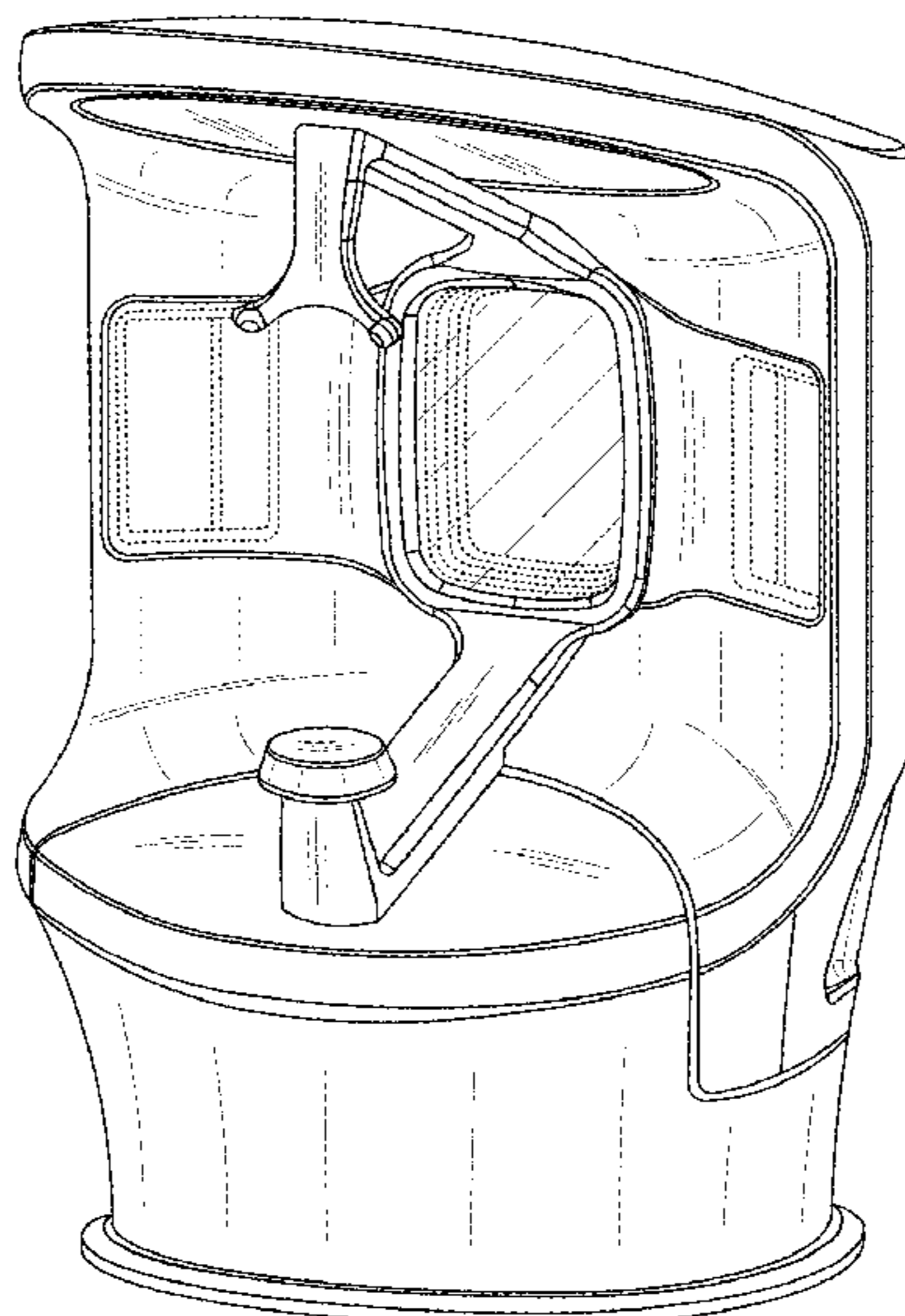
(57) **CLAIM**

The ornamental design for a facial imaging booth, as shown and described.

DESCRIPTION

FIG. 1 is a front view of a facial imaging booth showing the new design;
 FIG. 2 is a right side view thereof;
 FIG. 3 is a left side view thereof;
 FIG. 4 is a top view thereof;
 FIG. 5 is a rear view thereof;
 FIG. 6 is an isometric view as seen from the top, front and right side thereof;
 FIG. 7 is an additional front view thereof, in a rotated configuration;
 FIG. 8 is an additional isometric view as seen from the top, front and right side thereof, in the rotated configuration; and,
 FIG. 9 is a bottom view thereof.
 The broken lines illustrate portions of the facial imaging booth that form no part of the claimed design.

1 Claim, 9 Drawing Sheets



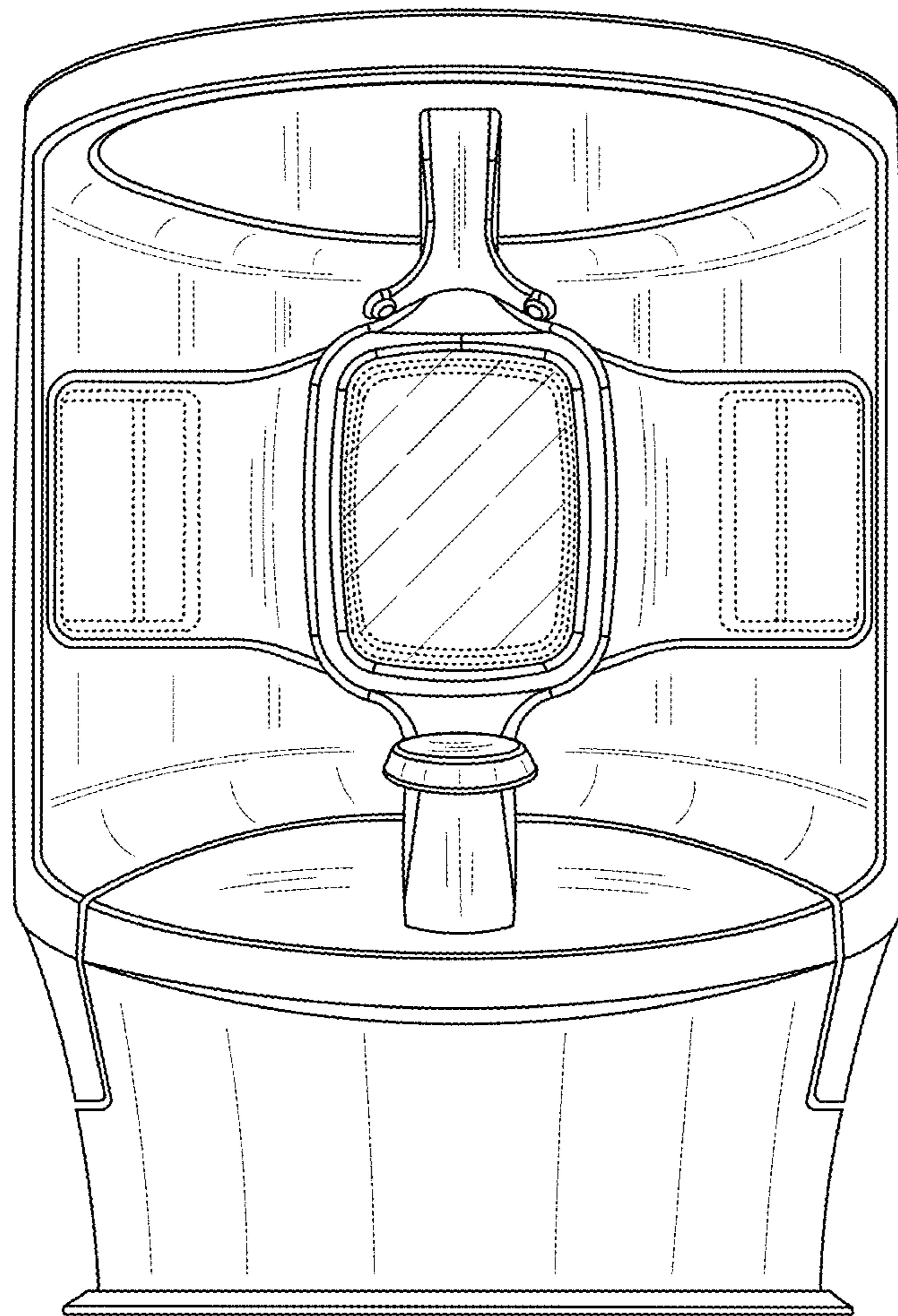


FIG. 1

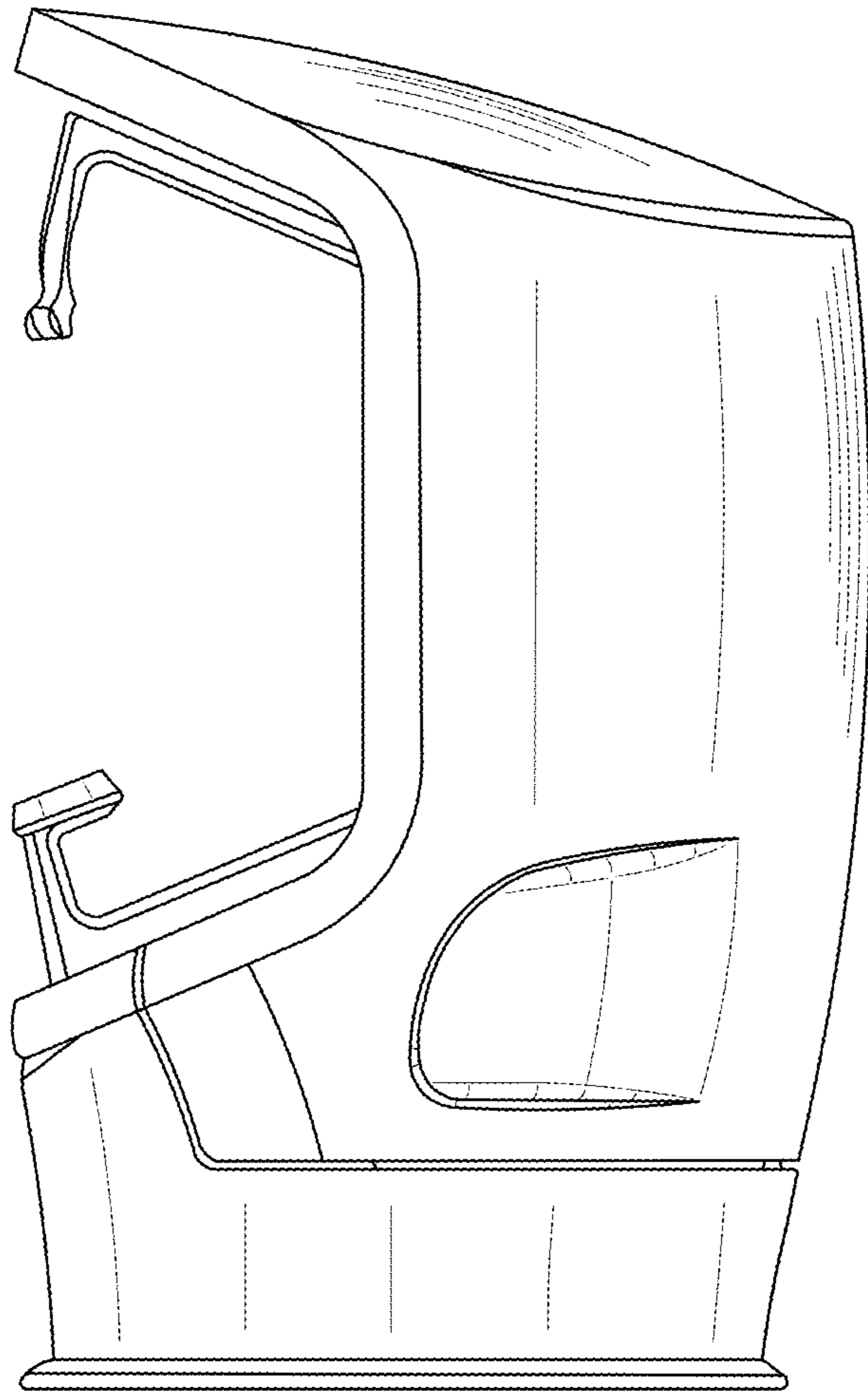


FIG. 2

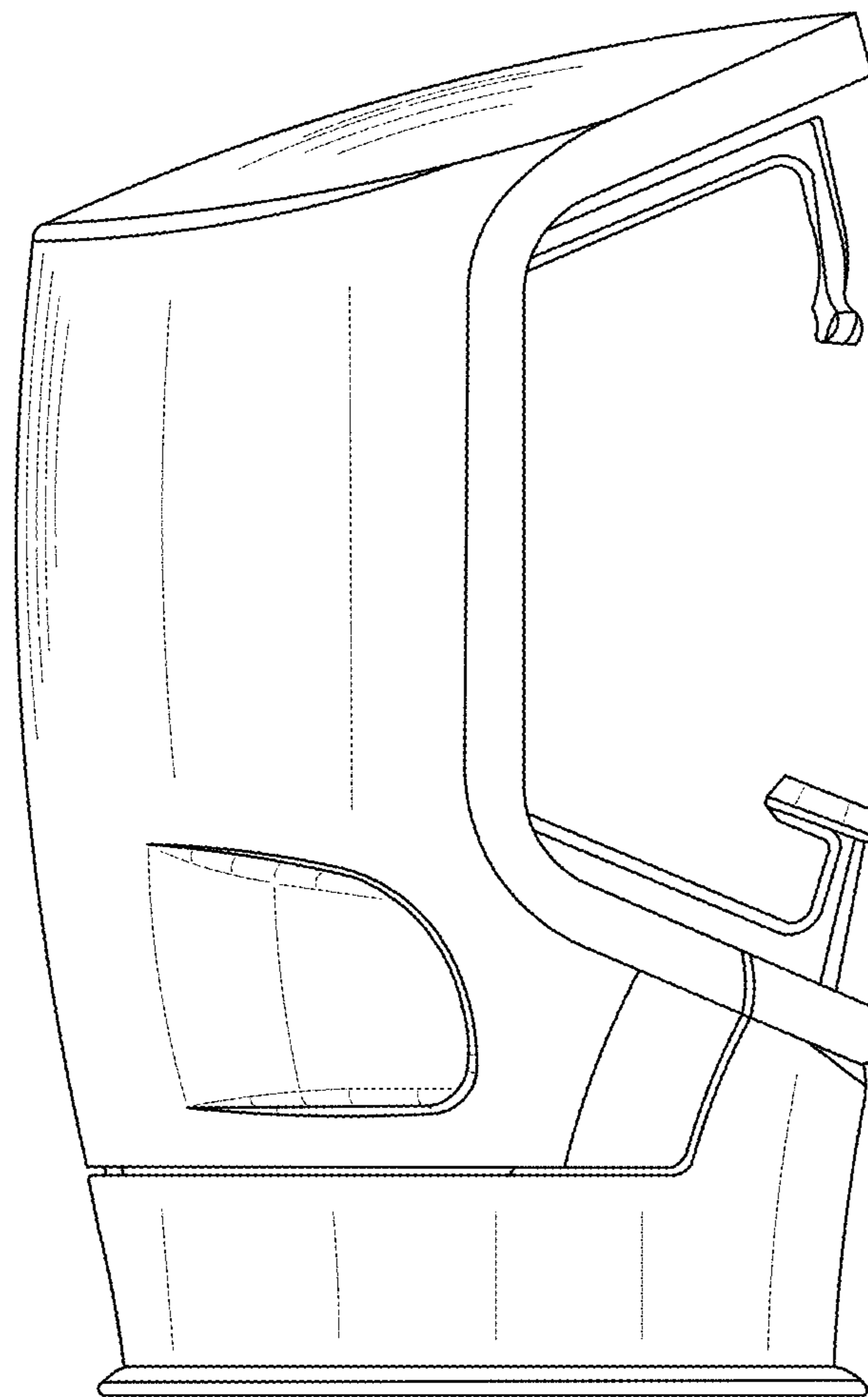


FIG. 3

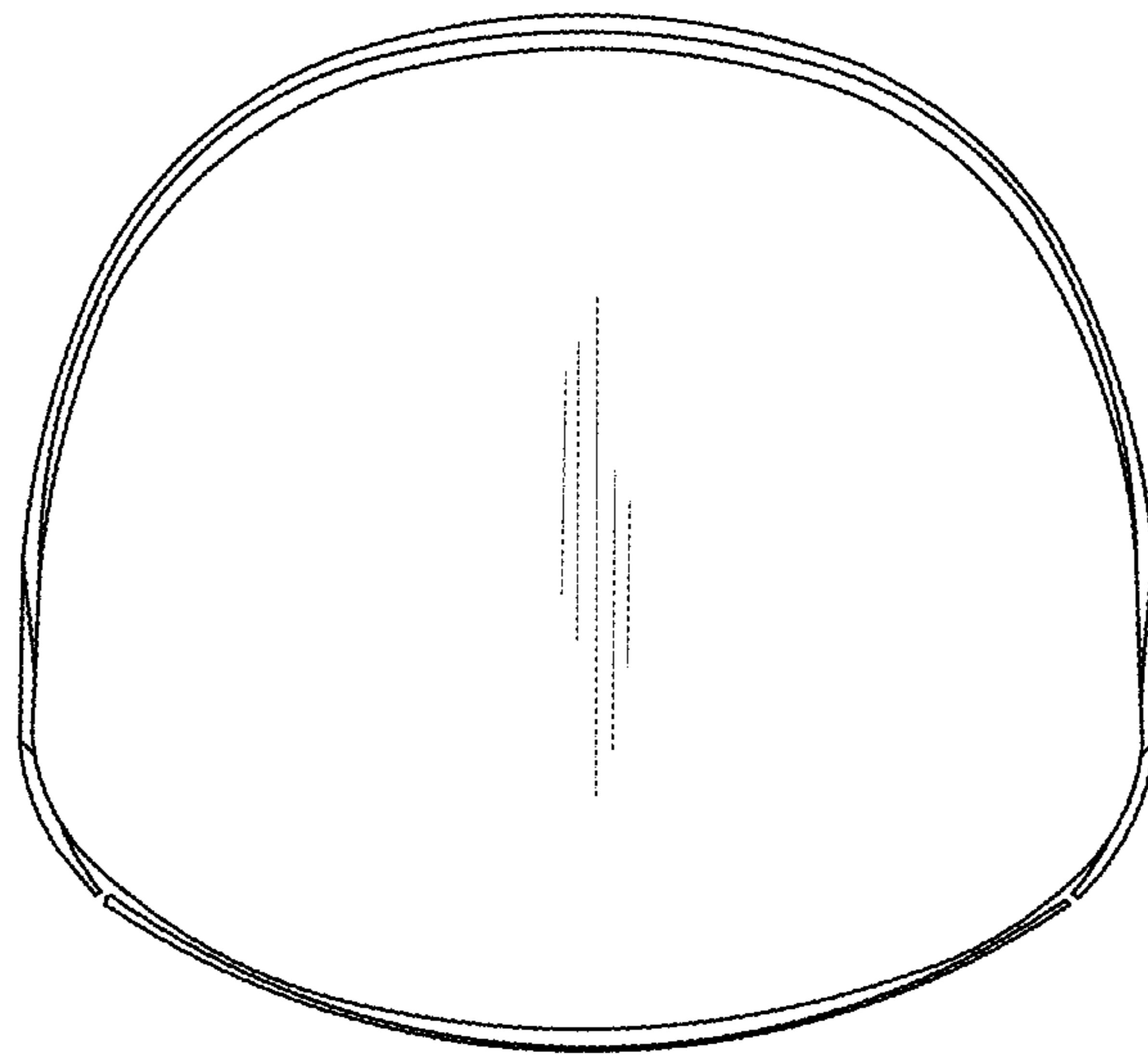


FIG. 4

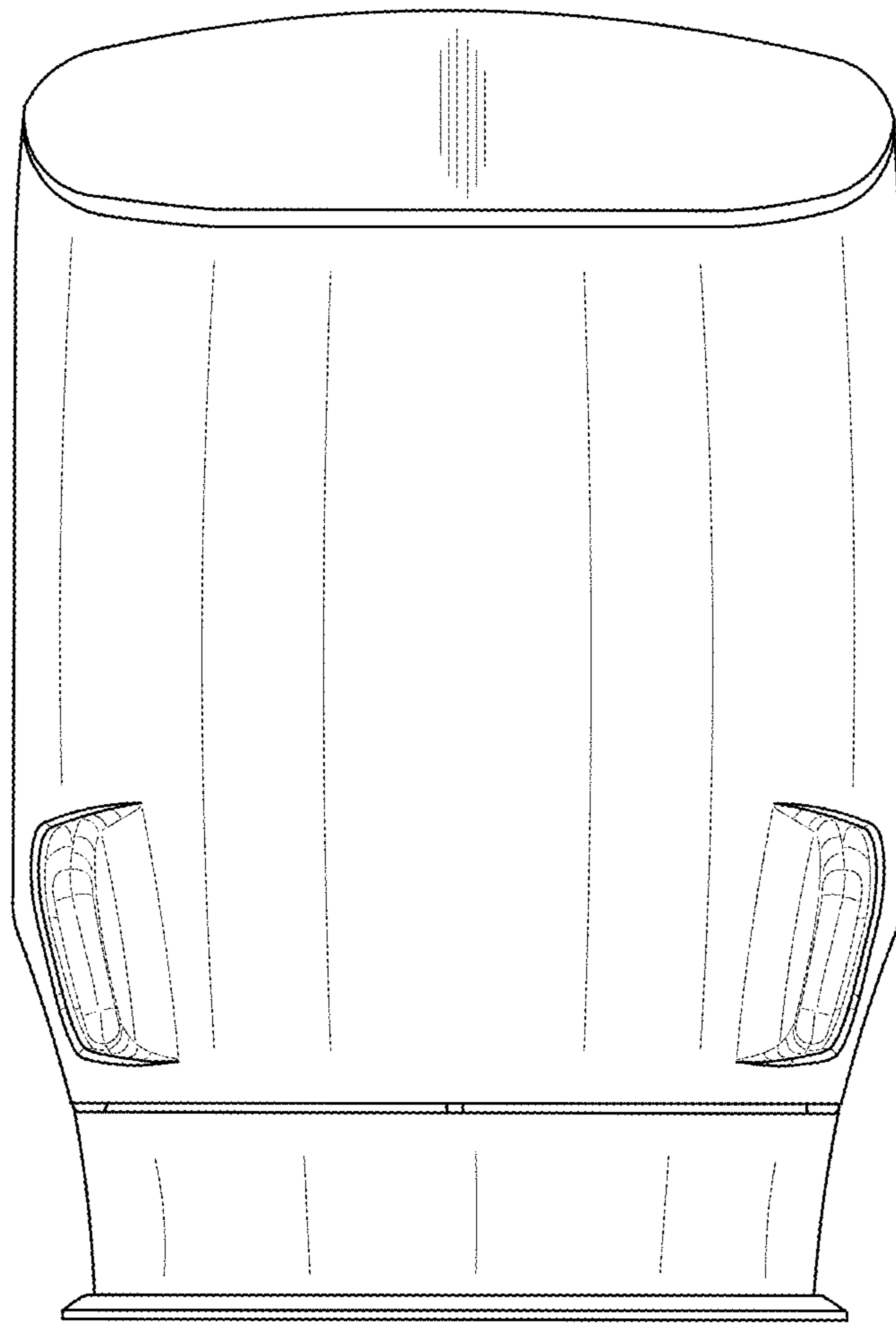


FIG. 5

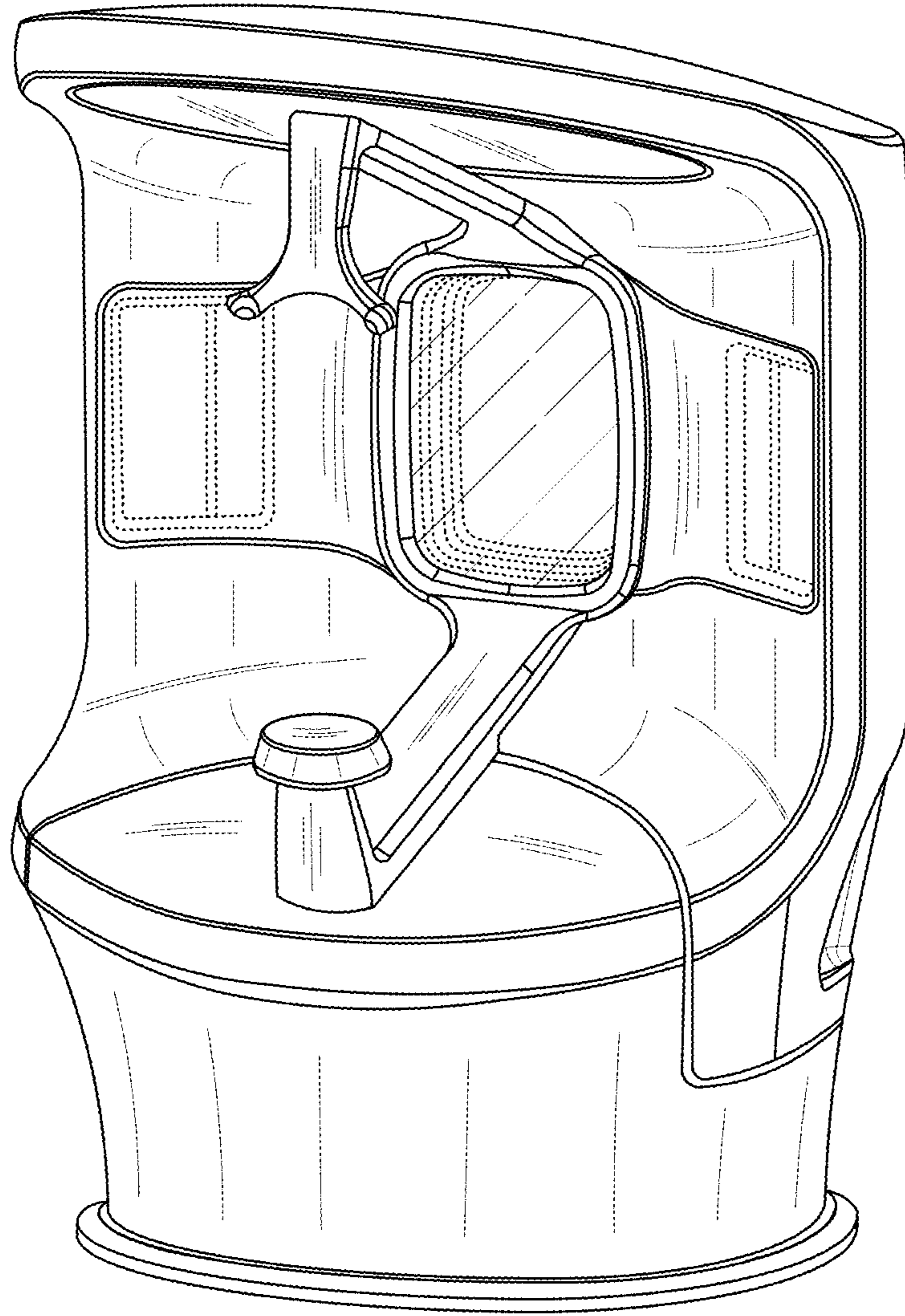


FIG. 6

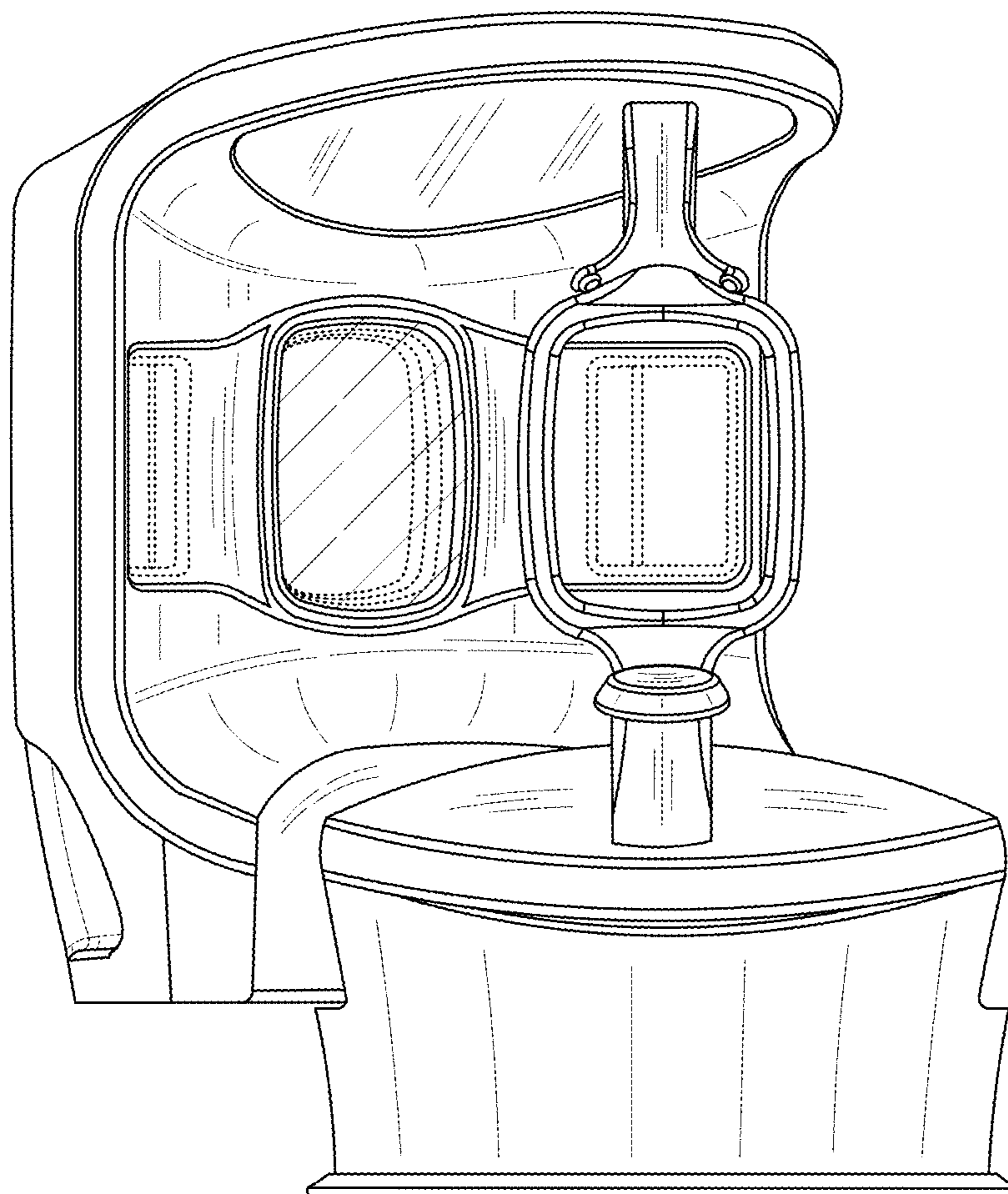


FIG. 7

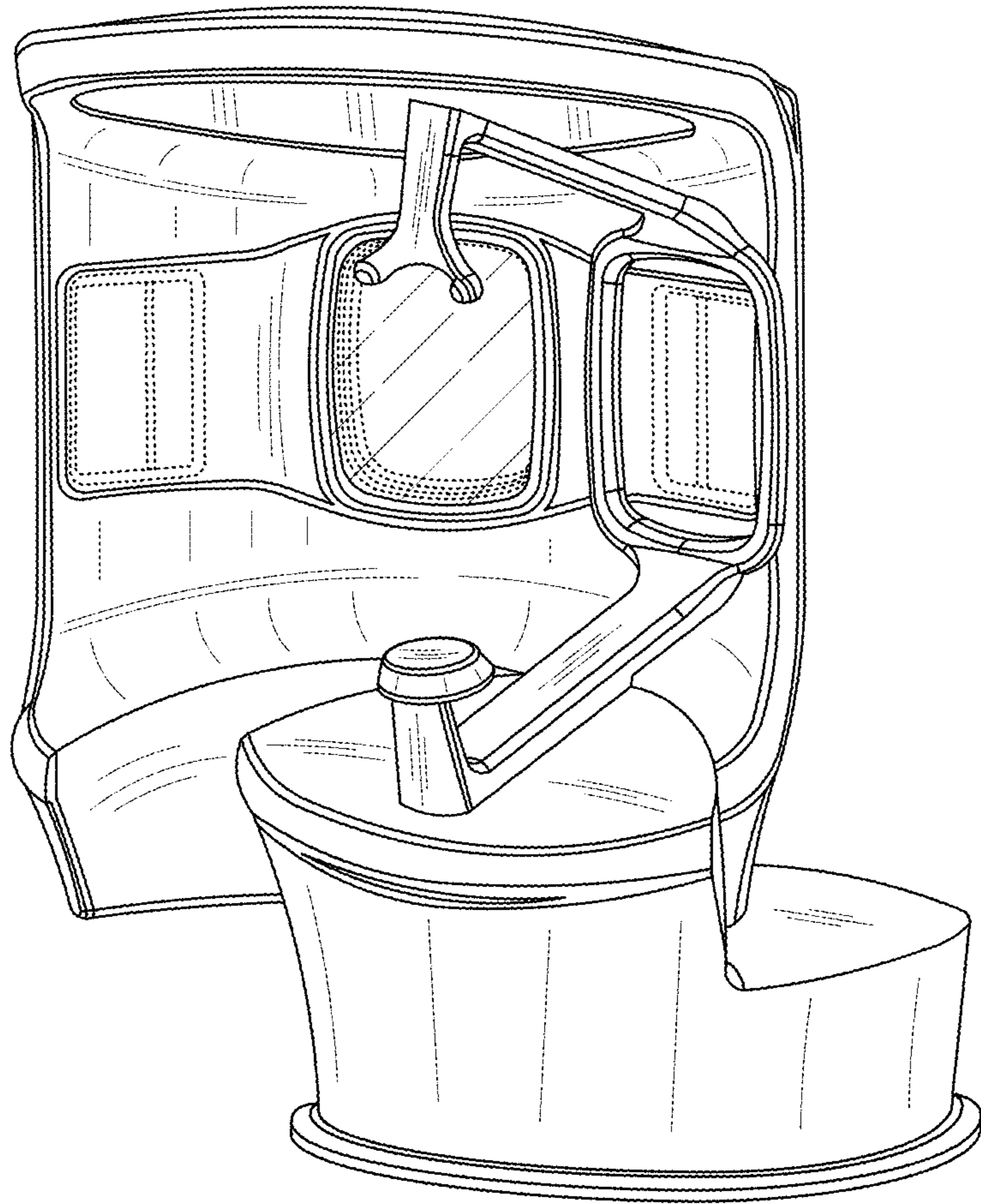


FIG. 8

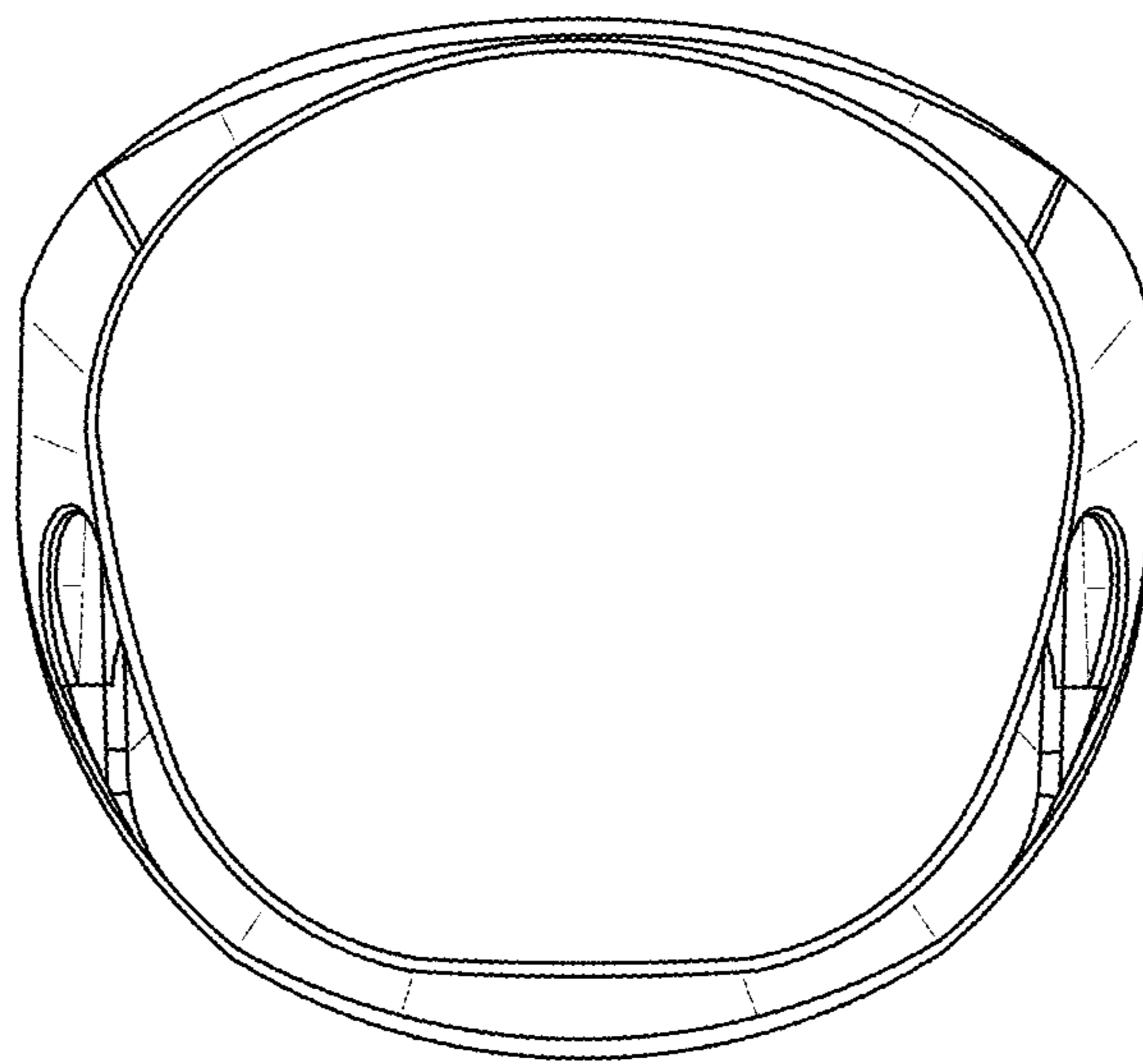


FIG. 9