

US00D827826S

(12) **United States Design Patent** (10) **Patent No.:** **US D827,826 S**  
**Emanuelli** (45) **Date of Patent:** **\*\* Sep. 4, 2018**

(54) **ROOT PART FOR A DENTAL IMPLANT**

5,470,230 A 11/1995 Daftary et al.  
5,704,239 A 1/1998 Beals et al.  
5,725,581 A 3/1998 Bråmark

(71) Applicant: **Silvio Franco Emanuelli**, Sanremo (IT)

(Continued)

(72) Inventor: **Silvio Franco Emanuelli**, Sanremo (IT)

(\*\*) Term: **15 Years**

(21) Appl. No.: **29/621,872**

(22) Filed: **Oct. 12, 2017**

FOREIGN PATENT DOCUMENTS

AU 753575 B2 10/2002  
DE 19625975 A1 1/1998

(Continued)

*Primary Examiner* — Charles D Hanson

(74) *Attorney, Agent, or Firm* — Condo Roccia Koptiw LLP

**Related U.S. Application Data**

(63) Continuation of application No. 29/595,378, filed on Feb. 28, 2017, now Pat. No. Des. 803,403, which is a continuation of application No. 29/553,881, filed on Feb. 5, 2016, now Pat. No. Des. 783,822.

(51) **LOC (11) Cl.** ..... **24-02**

(52) **U.S. Cl.**  
USPC ..... **D24/156**

(58) **Field of Classification Search**  
USPC ..... D24/155, 156  
See application file for complete search history.

(56) **References Cited**

U.S. PATENT DOCUMENTS

- 2,721,387 A 10/1955 Ashuckian
- 2,857,670 A 10/1958 Kiernan, Jr.
- 3,708,883 A 1/1973 Flander
- D296,362 S 6/1988 Branemark
- 5,035,619 A 7/1991 Daftary
- 5,073,111 A 12/1991 Daftary
- 5,145,372 A 9/1992 Daftary et al.
- 5,246,370 A 9/1993 Coatoam
- 5,297,963 A 3/1994 Daftary
- 5,342,199 A 8/1994 Gillespie
- 5,344,457 A 9/1994 Pilliar et al.
- 5,427,526 A 6/1995 Fernandes
- 5,431,567 A 7/1995 Daftary

(57) **CLAIM**

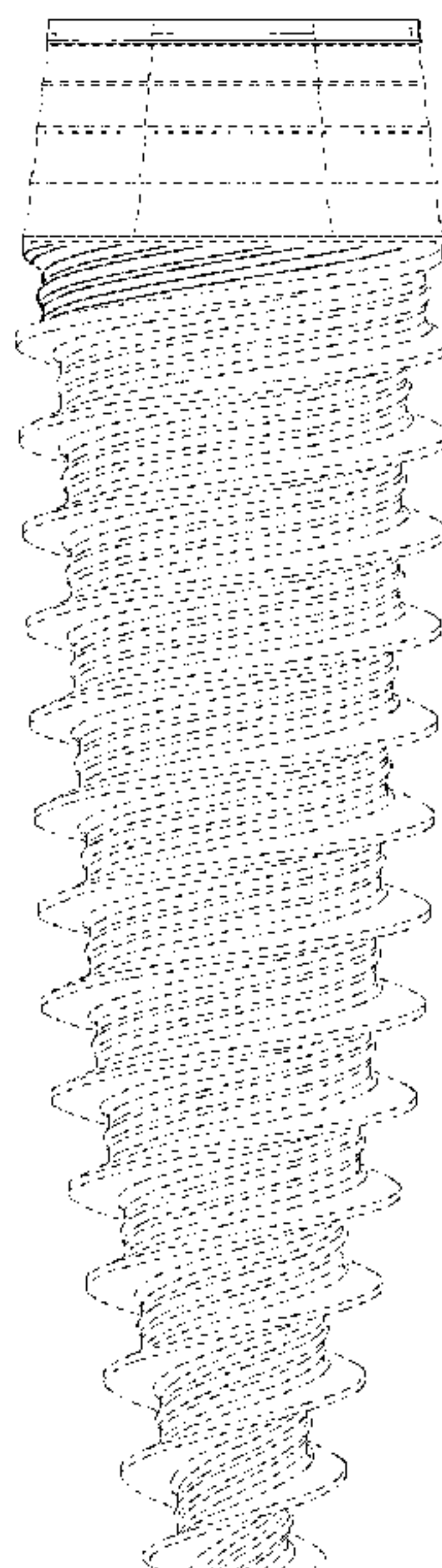
The ornamental design for a root part for a dental implant, as shown and described.

**DESCRIPTION**

This application is also related to U.S. patent application Ser. No. 29/553,916, filed on Feb. 5, 2016 and entitled “Post Part for a Dental Implant,” U.S. patent application Ser. No. 29/553,886, filed on Feb. 5, 2016 and entitled “Post Part for a Dental Implant,” U.S. patent application Ser. No. 29/553,904, filed on Feb. 5, 2016 and entitled “Post Part for a Dental Implant,” U.S. patent application Ser. No. 29/553,912, filed on Feb. 5, 2016 and entitled “Root Part for a Dental Implant,” and U.S. patent application Ser. No. 29/553,896, filed on Feb. 5, 2016 and entitled “Root Part for a Dental Implant.”

FIG. 1 is a perspective view of a root part for a dental implant showing my new design;  
FIG. 2 is a side view thereof;  
FIG. 3 is a side view thereof;  
FIG. 4 is a side view thereof;  
FIG. 5 is a side view thereof;  
FIG. 6 is a top view thereof; and,  
FIG. 7 is a bottom view thereof.

**1 Claim, 4 Drawing Sheets**



(56)

References Cited

U.S. PATENT DOCUMENTS

5,749,732 A 5/1998 Sendax  
 5,759,034 A 6/1998 Daftary  
 5,810,590 A 9/1998 Fried et al.  
 5,810,592 A 9/1998 Daftary  
 5,890,902 A 4/1999 Sopian  
 5,947,732 A 9/1999 Beaty et al.  
 5,967,783 A 10/1999 Ura  
 6,039,568 A 3/2000 Hinds  
 6,083,004 A 7/2000 Misch et al.  
 6,095,817 A 8/2000 Wagner et al.  
 6,099,313 A 8/2000 Doerken et al.  
 6,164,969 A 12/2000 Dinkelacker  
 6,174,167 B1 1/2001 Wohrle  
 6,217,333 B1 4/2001 Ercoli  
 6,220,860 B1 4/2001 Hansson  
 6,231,342 B1 5/2001 Osorio et al.  
 6,261,097 B1 7/2001 Schmutz et al.  
 6,283,754 B1 9/2001 Wohrle  
 D455,833 S 4/2002 Daftary  
 D456,900 S 5/2002 Daftary  
 6,413,089 B1 7/2002 Ashman et al.  
 6,431,867 B1 8/2002 Gittelsohn et al.  
 6,458,134 B1 10/2002 Songer et al.  
 D470,939 S 2/2003 Daftary  
 6,517,543 B1 2/2003 Berrevoets et al.  
 6,527,553 B2 3/2003 Yeung  
 6,527,554 B2 3/2003 Hurson et al.  
 6,537,069 B1 3/2003 Simmons, Jr.  
 6,619,958 B2 9/2003 Beaty et al.  
 6,644,969 B2 11/2003 Kumar  
 D482,957 S 12/2003 Lajeunesse et al.  
 D488,559 S 4/2004 Schuller et al.  
 D490,901 S 6/2004 Schuller et al.  
 6,758,672 B2 7/2004 Porter et al.  
 D493,890 S 8/2004 Schuller et al.  
 6,821,123 B2 11/2004 Andersson et al.  
 6,843,653 B2 1/2005 Carlton  
 6,854,972 B1 2/2005 Elian  
 6,857,874 B2 2/2005 Kim  
 D503,803 S 4/2005 Shalaby et al.  
 D507,650 S \* 7/2005 Teich ..... D24/156  
 D528,210 S \* 9/2006 Boettcher ..... D24/156  
 7,198,488 B2 4/2007 Lang et al.  
 7,207,800 B1 4/2007 Kwan  
 7,207,801 B2 4/2007 Vogt et al.  
 D552,977 S 10/2007 He et al.  
 D556,907 S 12/2007 Rassoli  
 D565,181 S 3/2008 Anitua  
 D577,122 S 9/2008 Aldecoa  
 D578,218 S 10/2008 Purga et al.  
 D583,945 S 12/2008 Aldecoa  
 D588,699 S 3/2009 Aldecoa

D588,700 S 3/2009 Aldecoa  
 D601,703 S 10/2009 Kahdemann  
 D603,512 S 11/2009 Emanuelli  
 D603,513 S 11/2009 Emanuelli  
 D603,514 S 11/2009 Emanuelli  
 D604,413 S \* 11/2009 Ikeya ..... D24/156  
 D604,851 S 11/2009 Ishikawa  
 D605,291 S 12/2009 Ishikawa  
 D606,196 S \* 12/2009 Fares ..... D24/156  
 7,632,096 B2 12/2009 Gittleman  
 D620,117 S 7/2010 Dawson et al.  
 D652,929 S 1/2012 Sibhatu et al.  
 D653,344 S 1/2012 Bar-Shalom  
 D663,032 S \* 7/2012 Mashio ..... D24/156  
 D663,419 S \* 7/2012 Mashio ..... D24/156  
 D666,295 S 8/2012 Hung  
 D668,764 S 10/2012 Lussi et al.  
 D717,435 S 11/2014 Park  
 D717,436 S 11/2014 Park  
 D721,809 S 1/2015 Andersin et al.  
 D725,269 S 1/2015 Chung et al.  
 D733,885 S \* 7/2015 Andersin ..... D24/156  
 D734,466 S 7/2015 Kimron  
 D752,756 S \* 3/2016 Aravena ..... D24/156  
 9,308,061 B2 4/2016 Zipprich  
 D765,856 S 9/2016 Schoene et al.  
 D783,823 S \* 4/2017 Emanuelli ..... D24/156  
 D783,825 S \* 4/2017 Emanuelli ..... D24/156  
 D785,179 S \* 4/2017 Emanuelli ..... D24/156  
 D808,016 S \* 1/2018 Kim ..... D24/156  
 2001/0021498 A1 9/2001 Osorio et al.  
 2003/0031982 A1 2/2003 Abarno  
 2003/0082499 A1 5/2003 Halldin et al.  
 2003/0143514 A1 7/2003 Peltier  
 2004/0259056 A1 12/2004 Holt  
 2005/0164146 A1 7/2005 Cantor  
 2006/0127849 A1 6/2006 Levisman  
 2006/0154203 A1 7/2006 Emanuelli  
 2013/0108984 A1 5/2013 Zipprich  
 2014/0106305 A1 4/2014 Jacoby et al.

FOREIGN PATENT DOCUMENTS

DE 19628464 A1 1/1998  
 DE 19628464 A1 5/2005  
 EP 0867153 B1 5/2005  
 EP 0867153 B1 2/2006  
 FR 2693900 A1 1/1994  
 FR 2788963 A1 8/2000  
 FR 2693900 A1 5/2005  
 FR 2788963 A1 5/2005  
 GB 2139095 A 11/1984  
 WO WO 2001/034056 A1 5/2001  
 WO WO 2003/005928 A1 1/2003

\* cited by examiner



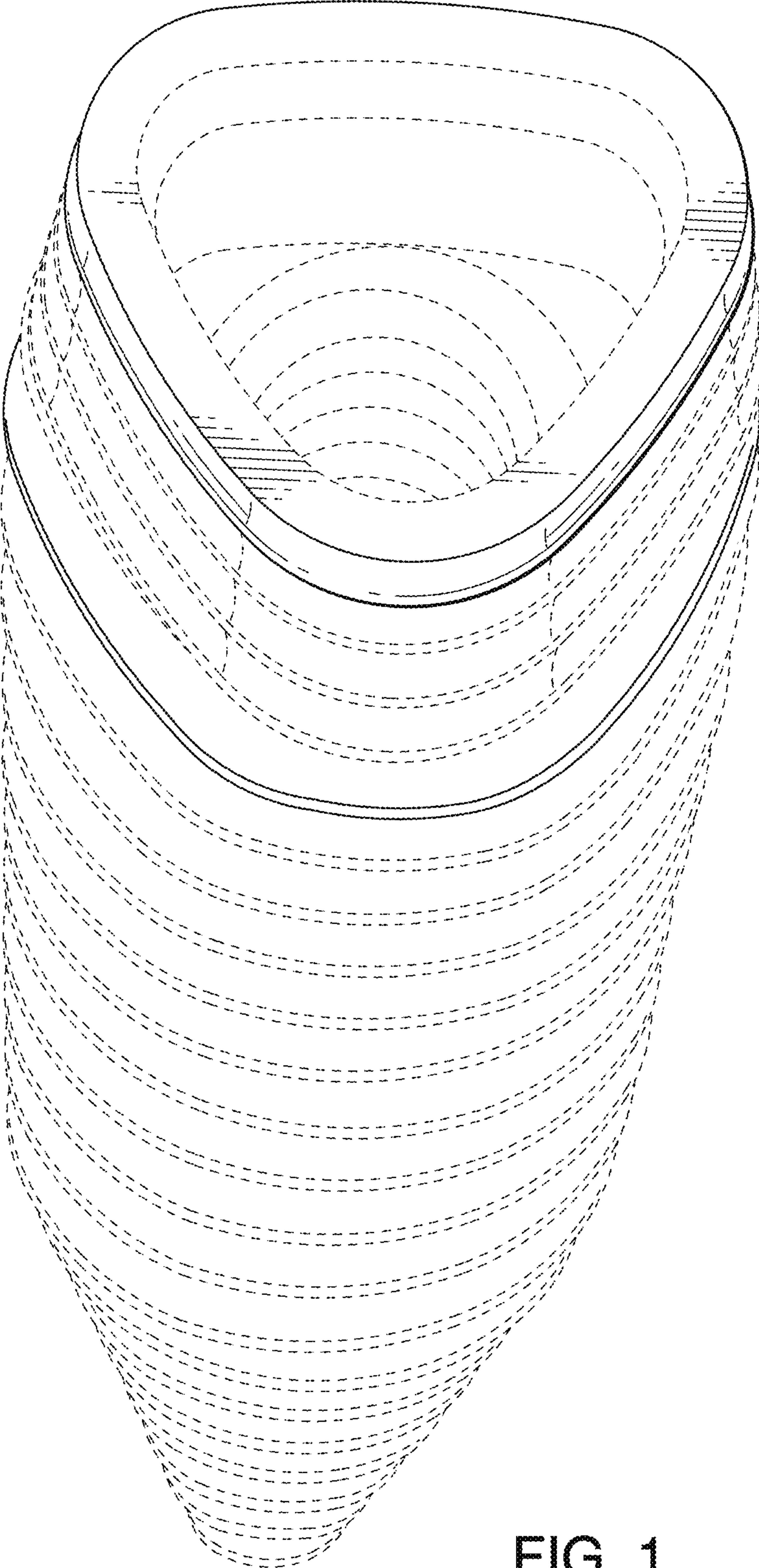


FIG. 1

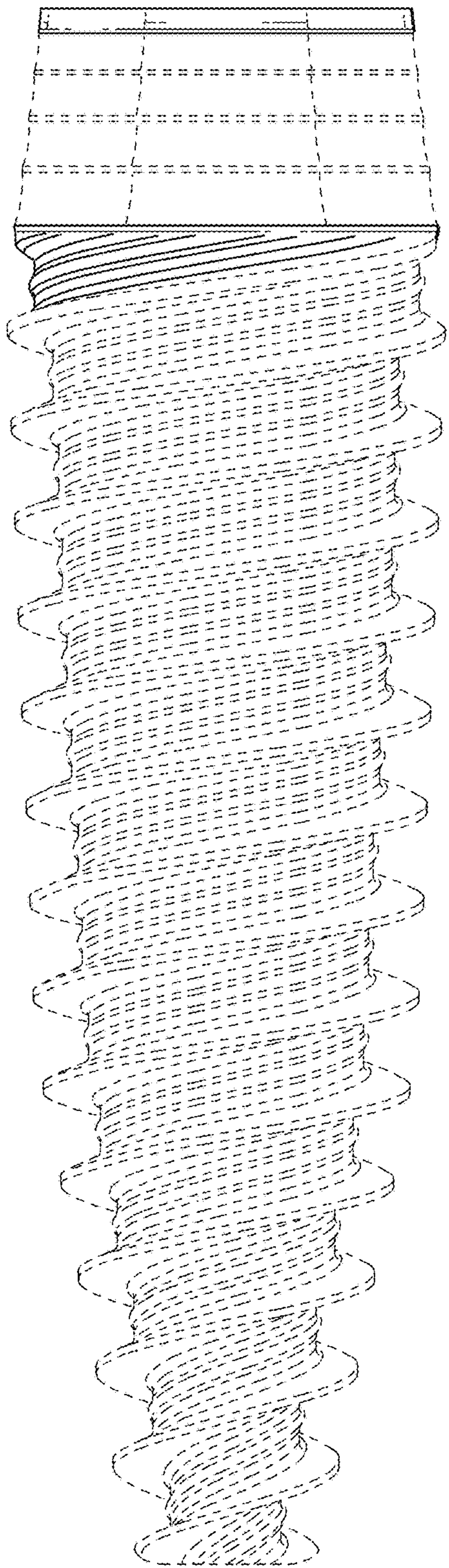


FIG. 2

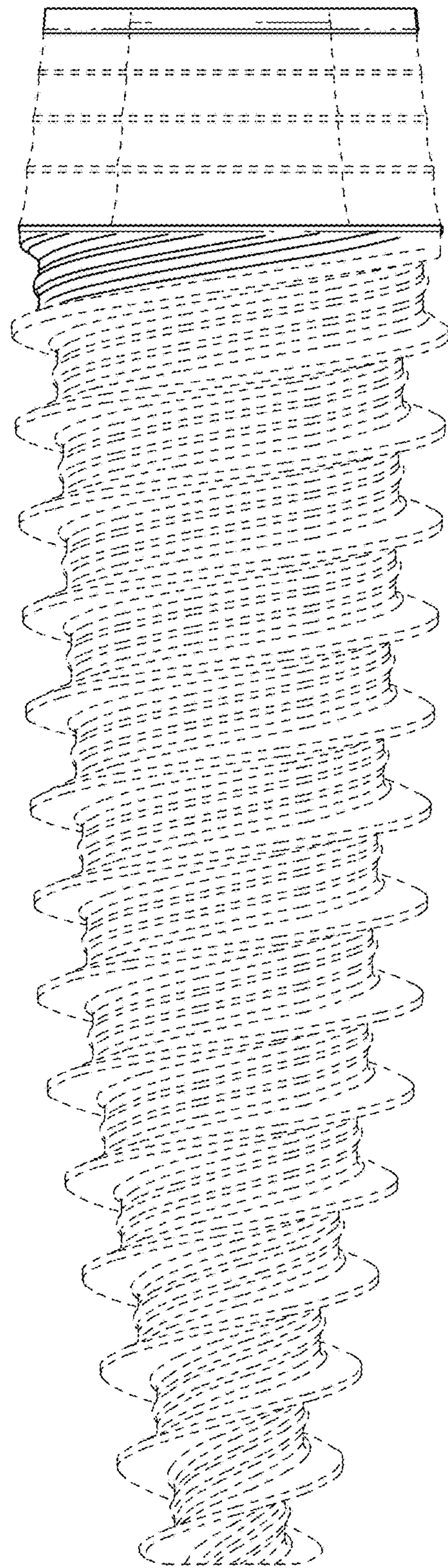


FIG. 3



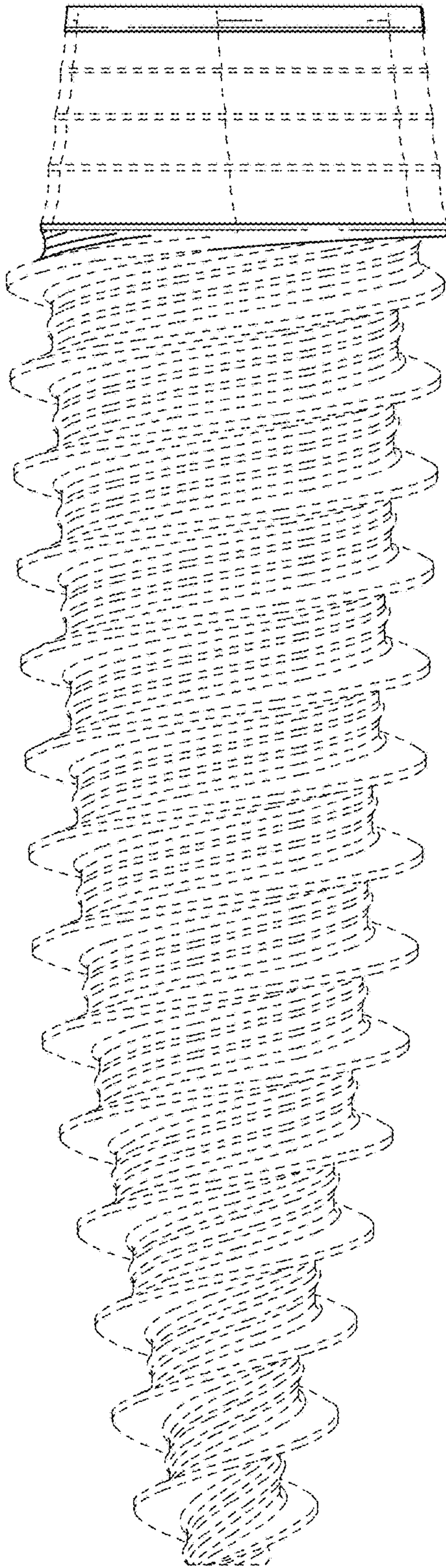


FIG. 4

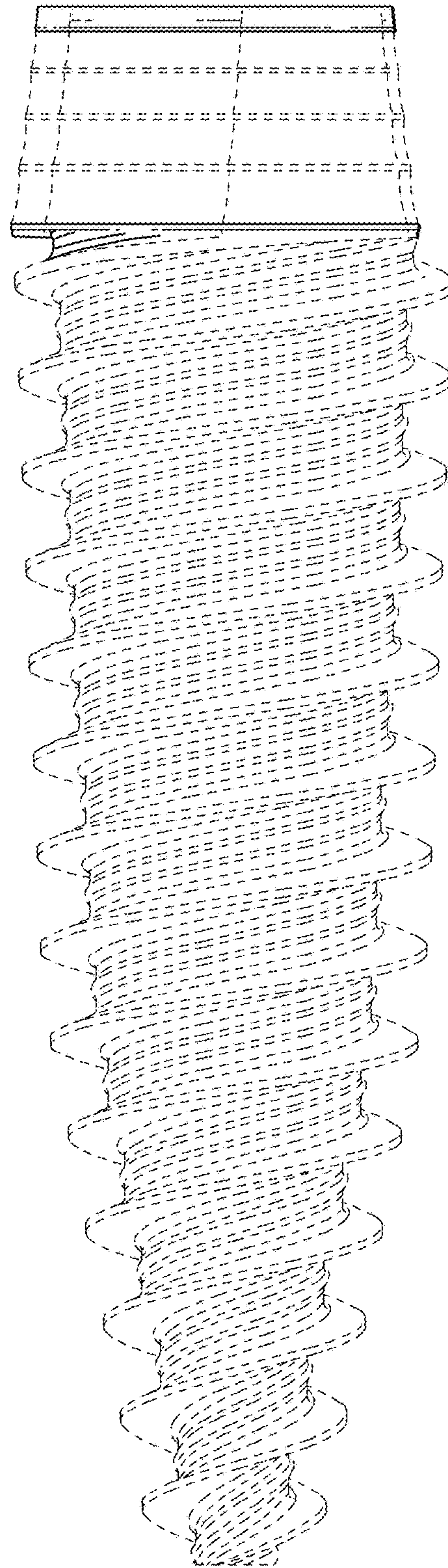


FIG. 5

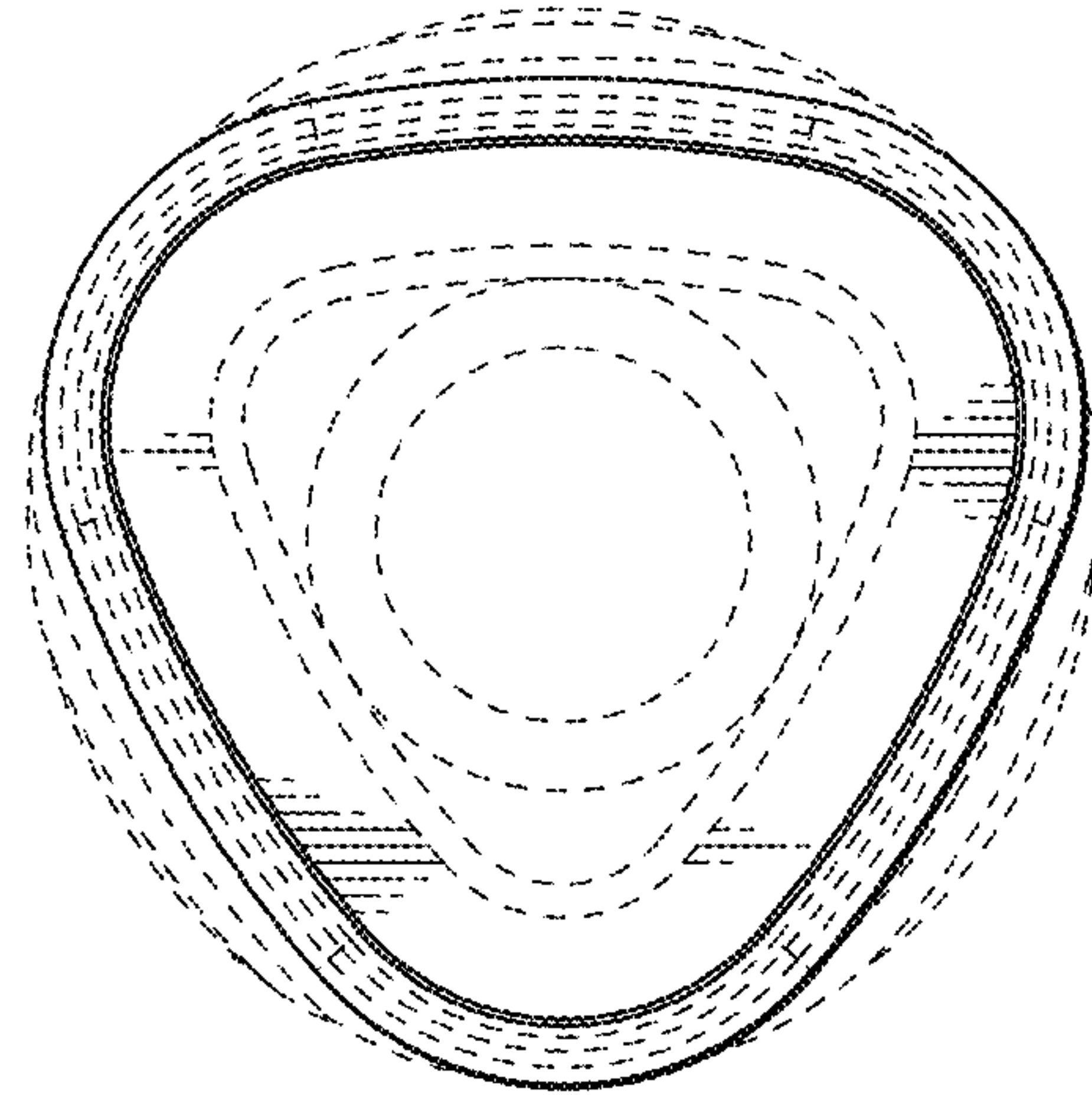


FIG. 6

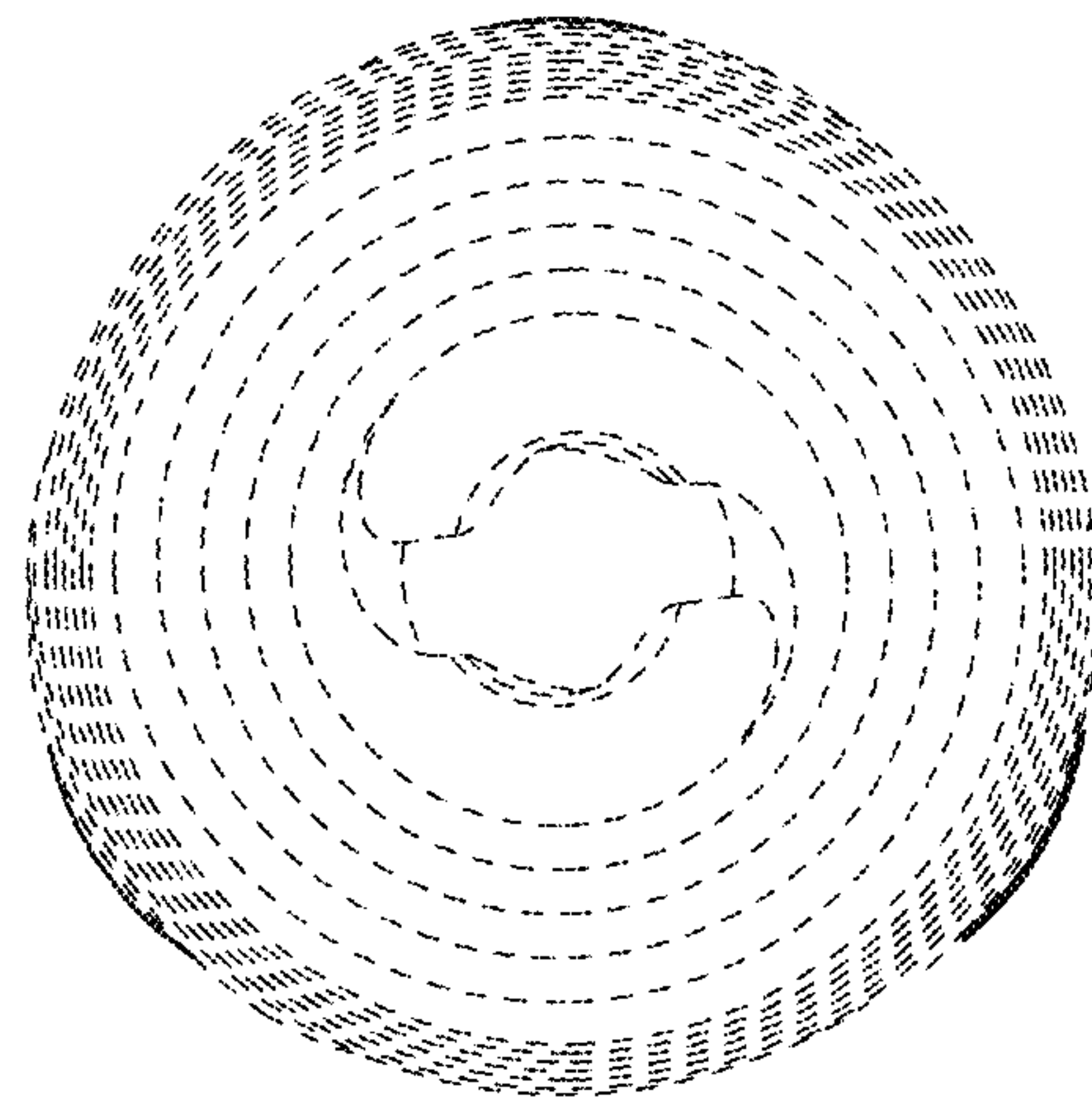


FIG. 7