



US00D827819S

(12) **United States Design Patent** (10) **Patent No.:** **US D827,819 S**
Hillukka et al. (45) **Date of Patent:** **** Sep. 4, 2018**

(54) **CATHETER HANDLE**
(71) Applicant: **St. Jude Medical, Cardiology Division, Inc.**, St. Paul, MN (US)
(72) Inventors: **Brett A. Hillukka**, Hanover, MN (US); **Varun Bansal**, Plymouth, MN (US); **Evan Michael Leingang**, Plymouth, MN (US); **Richard A. Thompson, II**, St. Louis Park, MN (US)

8,906,051 B2 * 12/2014 Mittelberg A61B 17/320783
606/167
D726,906 S * 4/2015 Reed D24/130
D726,908 S 4/2015 Yu et al.
D733,874 S * 7/2015 Yu D24/130
D782,035 S * 3/2017 Bainton D24/113
D782,037 S * 3/2017 Osypka D24/130
D798,446 S * 9/2017 Nino D24/133
D806,861 S * 1/2018 Amano D24/112
D809,137 S * 1/2018 Ratjen D24/130

(Continued)

(73) Assignee: **ST. JUDE MEDICAL, CARDIOLOGY DIVISION, INC.**, St. Paul, MN (US)

FOREIGN PATENT DOCUMENTS

EP 2594308 A1 5/2013
WO 2007001981 A2 1/2007
WO 2015125366 8/2015

(**) Term: **15 Years**

OTHER PUBLICATIONS

(21) Appl. No.: **29/599,891**

International Search Report, Application No. PCT/US2017/026576, dated Jun. 20, 2017, 15 pages.

(22) Filed: **Apr. 7, 2017**

(51) **LOC (11) Cl.** **24-02**

(52) **U.S. Cl.**
USPC **D24/130**

Primary Examiner — David Muller

(74) *Attorney, Agent, or Firm* — Armstrong Teasdale LLP

(58) **Field of Classification Search**
USPC D24/127–131, 112–114, 133, 186;
606/181, 185; 604/264, 523–528, 272,
604/187, 158, 164.01–164.11, 181, 184,
604/227; 600/101, 139, 143;
128/200.24, 207.14, 207.15

CPC A61M 25/00; A61M 39/00; A61M 27/00;
A61M 25/0043; A61M 25/0067; A61M
25/0097; A61F 2/958

See application file for complete search history.

(57) **CLAIM**

The ornamental design for a catheter handle, as shown and described.

DESCRIPTION

FIG. 1 is a perspective view of a catheter handle of our new design.

FIG. 2 is a front elevation thereof.

FIG. 3 is a rear elevation thereof.

FIG. 4 is a left side elevation thereof.

FIG. 5 is a right side elevation thereof.

FIG. 6 is a top plan view thereof; and,

FIG. 7 is a bottom plan view thereof.

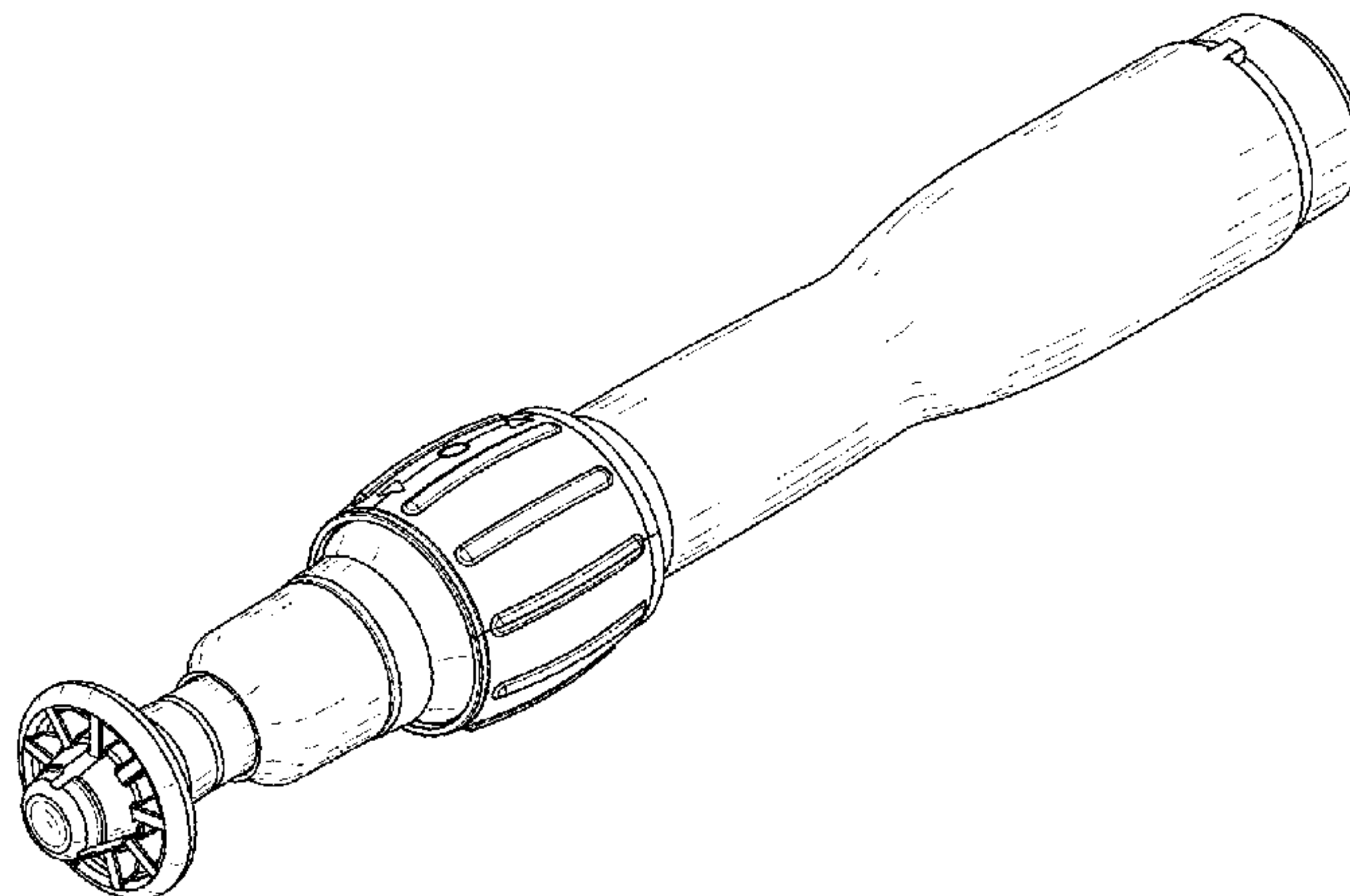
The broken line showing of parts of the drawings is included for the purpose of illustrating use and environment and forms no part of the claimed design.

(56) **References Cited**

U.S. PATENT DOCUMENTS

6,068,629 A 5/2000 Haissaguerre et al.
D553,249 S * 10/2007 Wakisaka D24/186
D580,069 S * 11/2008 Lee D24/114
D581,052 S * 11/2008 Root D24/133
D718,437 S * 11/2014 Osypka D24/127

1 Claim, 7 Drawing Sheets



(56)

References Cited

U.S. PATENT DOCUMENTS

2010/0325296 A1 12/2010 Hamasaki et al.
2014/0207185 A1 7/2014 Groble et al.

* cited by examiner

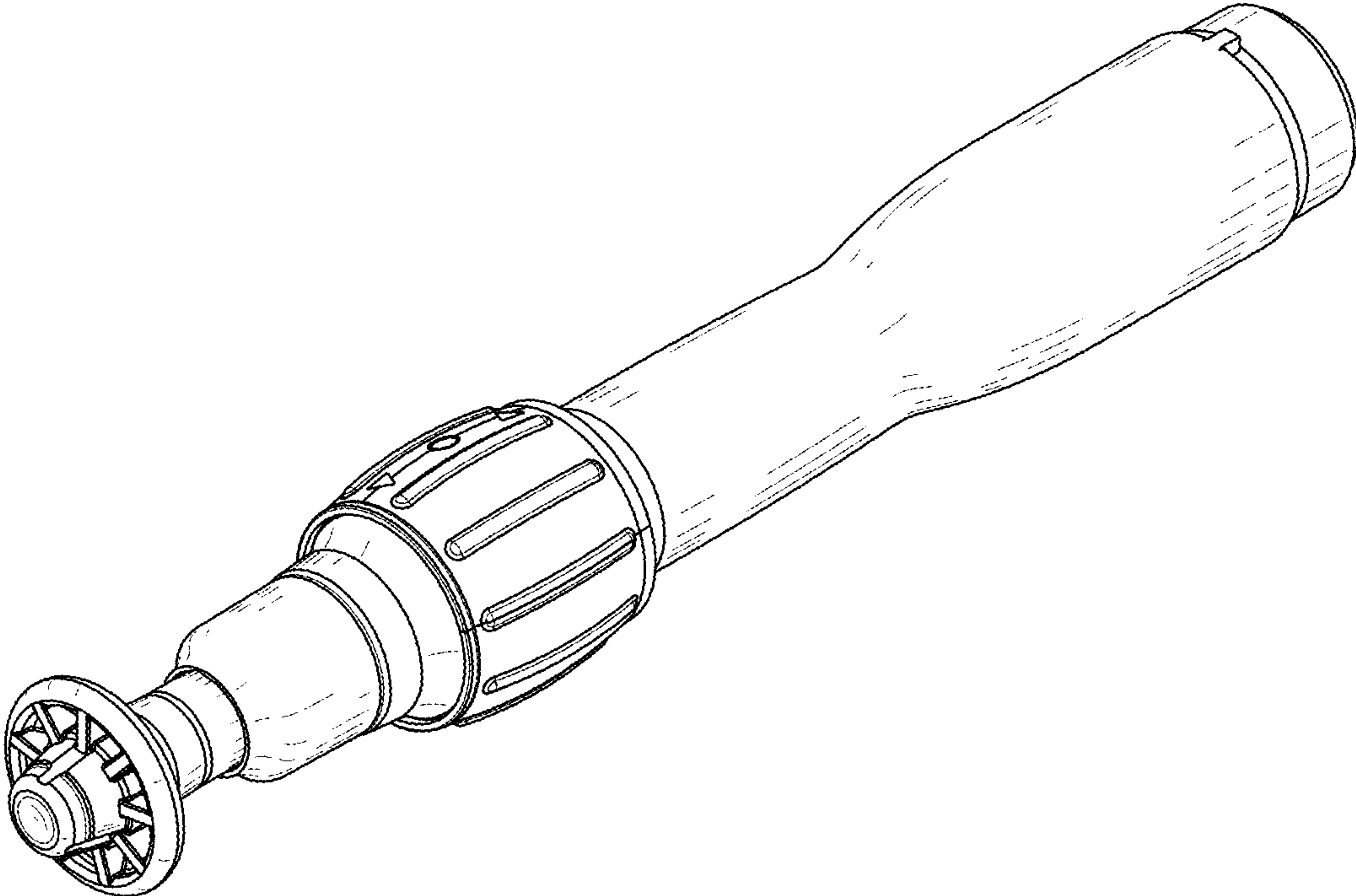


FIG. 1

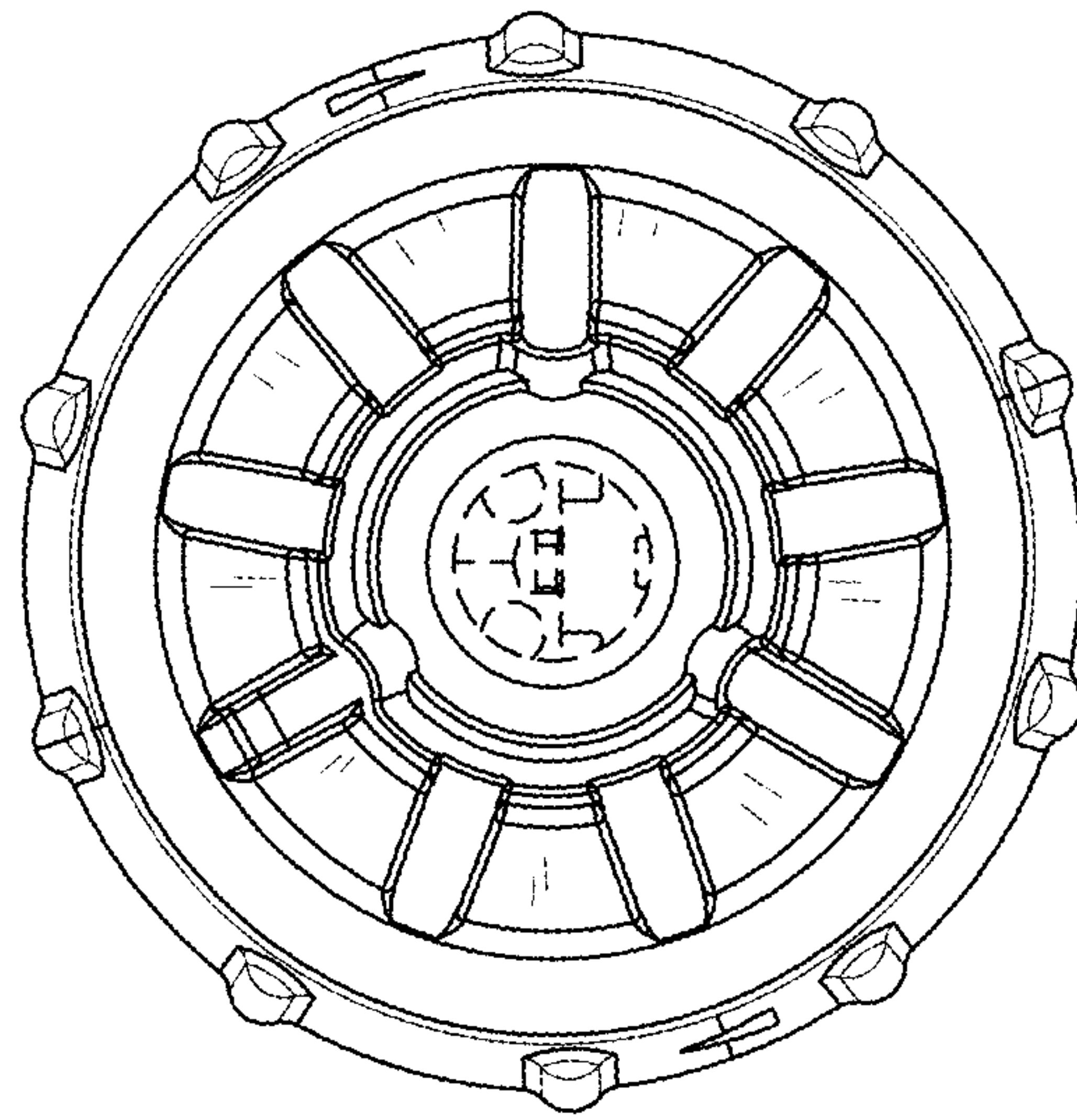


FIG. 2

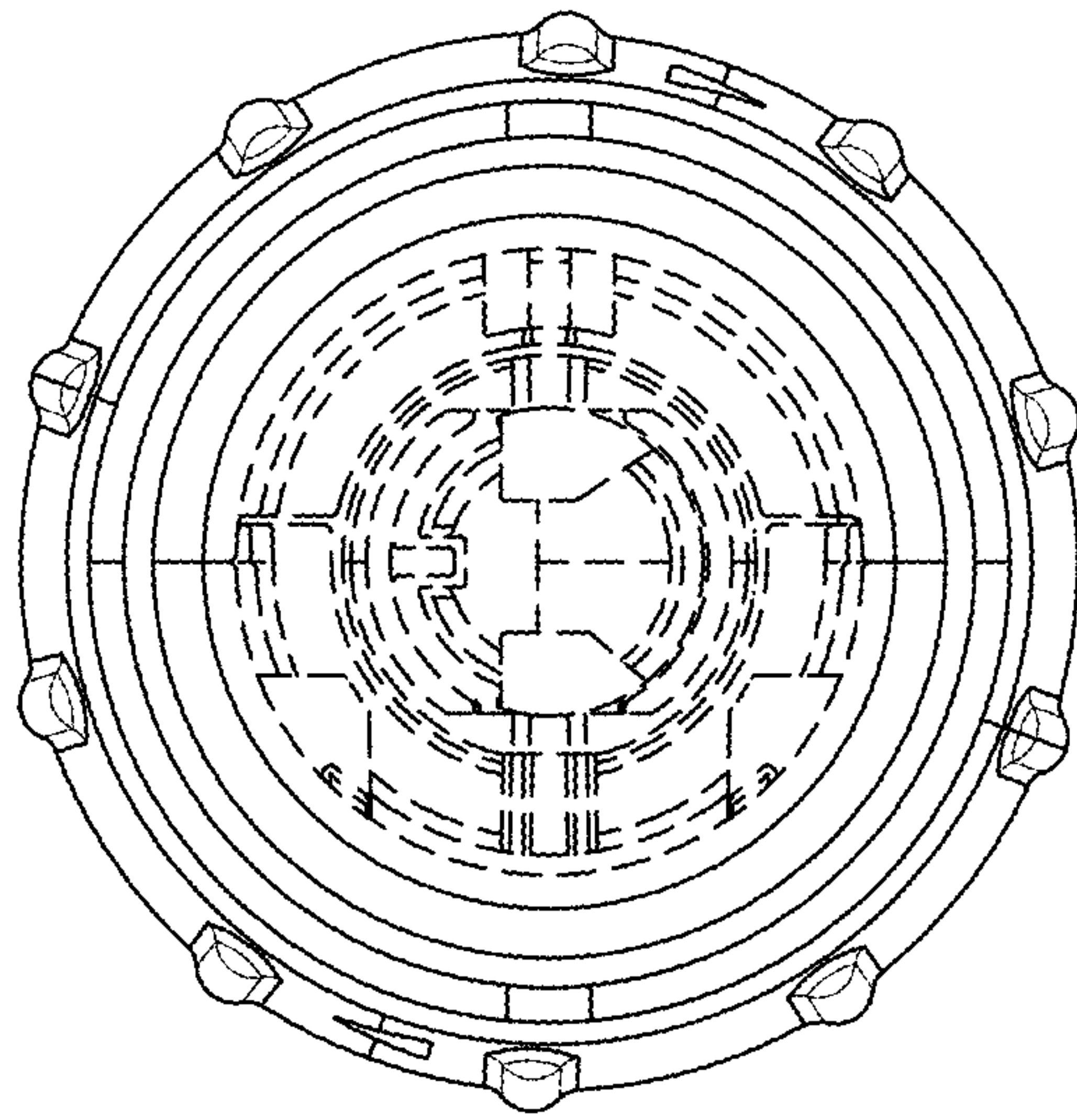


FIG. 3

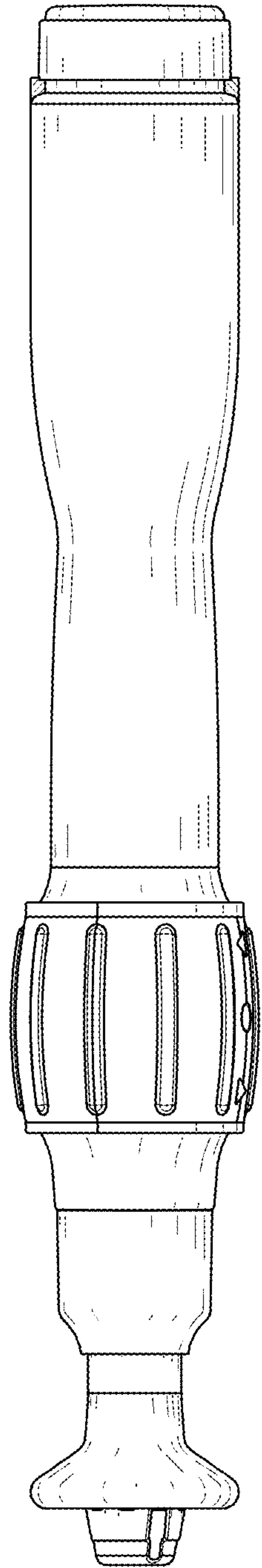


FIG. 4

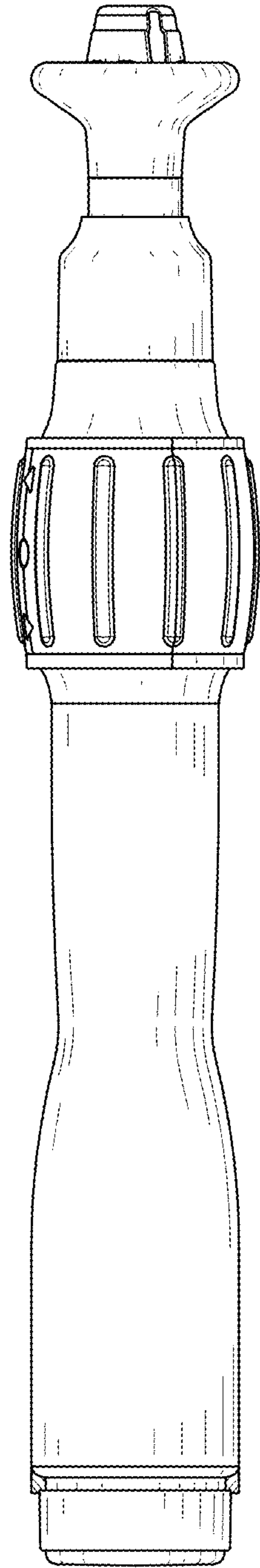


FIG. 5

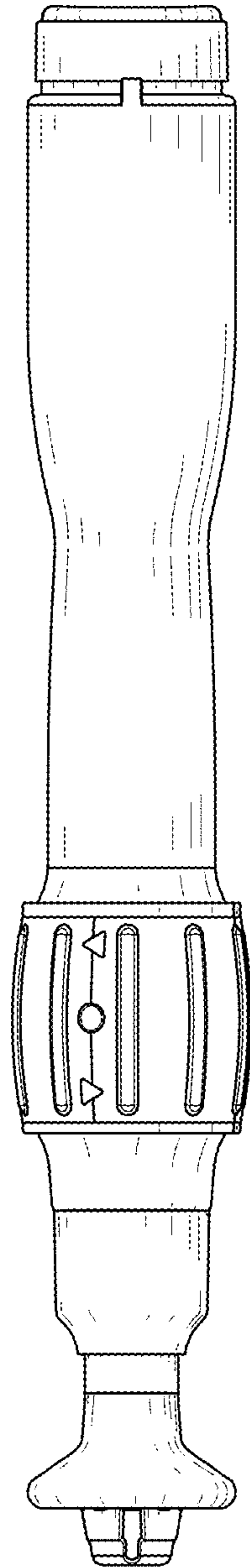


FIG. 6

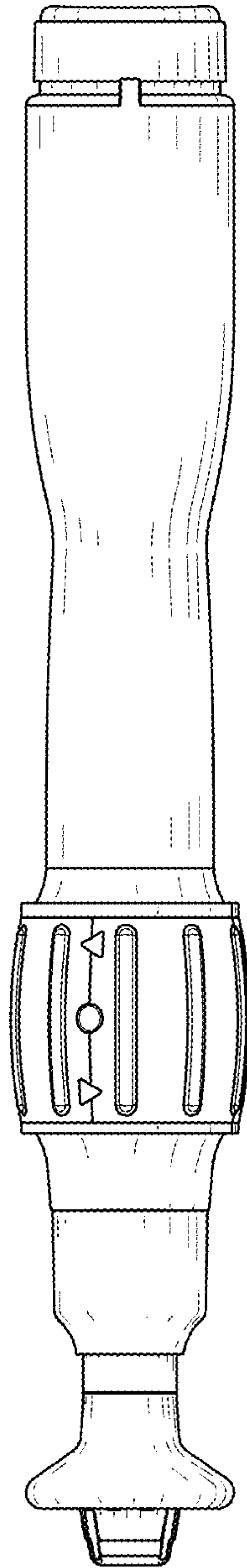


FIG. 7