



US00D827818S

(12) **United States Design Patent** (10) **Patent No.:** **US D827,818 S**  
**Hillukka et al.** (45) **Date of Patent:** **\*\* Sep. 4, 2018**

(54) **CATHETER HANDLE** 8,945,059 B2 \* 2/2015 Loewen ..... A61M 39/0606  
 251/208  
 (71) Applicant: **St. Jude Medical, Cardiology** D726,906 S \* 4/2015 Reed ..... D24/130  
**Division, Inc., St. Paul, MN (US)** D726,908 S \* 4/2015 Yu ..... D24/130  
 8,998,844 B2 \* 4/2015 Reed ..... A61M 25/0136  
 604/528  
 (72) Inventors: **Brett A. Hillukka**, Hanover, MN (US); 9,011,382 B2 \* 4/2015 Nilsson ..... A61M 25/0606  
**Varun Bansal**, Plymouth, MN (US); 604/164.02  
**Evan Michael Leingang**, Plymouth, D733,874 S \* 7/2015 Yu ..... D24/130  
 MN (US); **Richard A. Thompson, II**,  
 St. Louis Park, MN (US) (Continued)

(73) Assignee: **ST. JUDE MEDICAL,**  
**CARDIOLOGY DIVISION, INC.,** St.  
 Paul, MN (US)

(\*\*) Term: **15 Years**

(21) Appl. No.: **29/599,889**  
 (22) Filed: **Apr. 7, 2017**  
 (51) **LOC (11) Cl.** ..... **24-02**  
 (52) **U.S. Cl.**  
 USPC ..... **D24/130**  
 (58) **Field of Classification Search**  
 USPC ..... D24/127–131, 112–114, 133, 186;  
 606/181, 185; 604/264, 523–528, 272,  
 604/187, 158, 164.01–164.11, 181, 184,  
 604/227; 600/101, 139, 143;  
 128/200.24, 207.14, 207.15  
 CPC ..... A61M 5/178; A61M 3/00; A61M 5/20;  
 A61M 5/31; A61M 5/3146; A61M  
 5/3129; A61M 5/3148; A61M 5/315  
 See application file for complete search history.

(56) **References Cited**

U.S. PATENT DOCUMENTS

6,068,629 A 5/2000 Haissaguerre et al.  
 D553,249 S \* 10/2007 Wakisaka ..... D24/186  
 D581,052 S \* 11/2008 Root ..... D24/133  
 D715,429 S \* 10/2014 Yu ..... D24/130  
 D718,437 S \* 11/2014 Osypka ..... D24/127  
 8,906,051 B2 \* 12/2014 Mitelberg ..... A61B 17/32078  
 606/167

FOREIGN PATENT DOCUMENTS

EP 2594308 A1 5/2013  
 WO 2007001981 A2 1/2007  
 WO 2015125366 8/2015

OTHER PUBLICATIONS

International Search Report, Application No. PCT/US2017/026576,  
 dated Jun. 20, 2017, 15 pages.

Primary Examiner — David Muller

(74) Attorney, Agent, or Firm — Armstrong Teasdale LLP

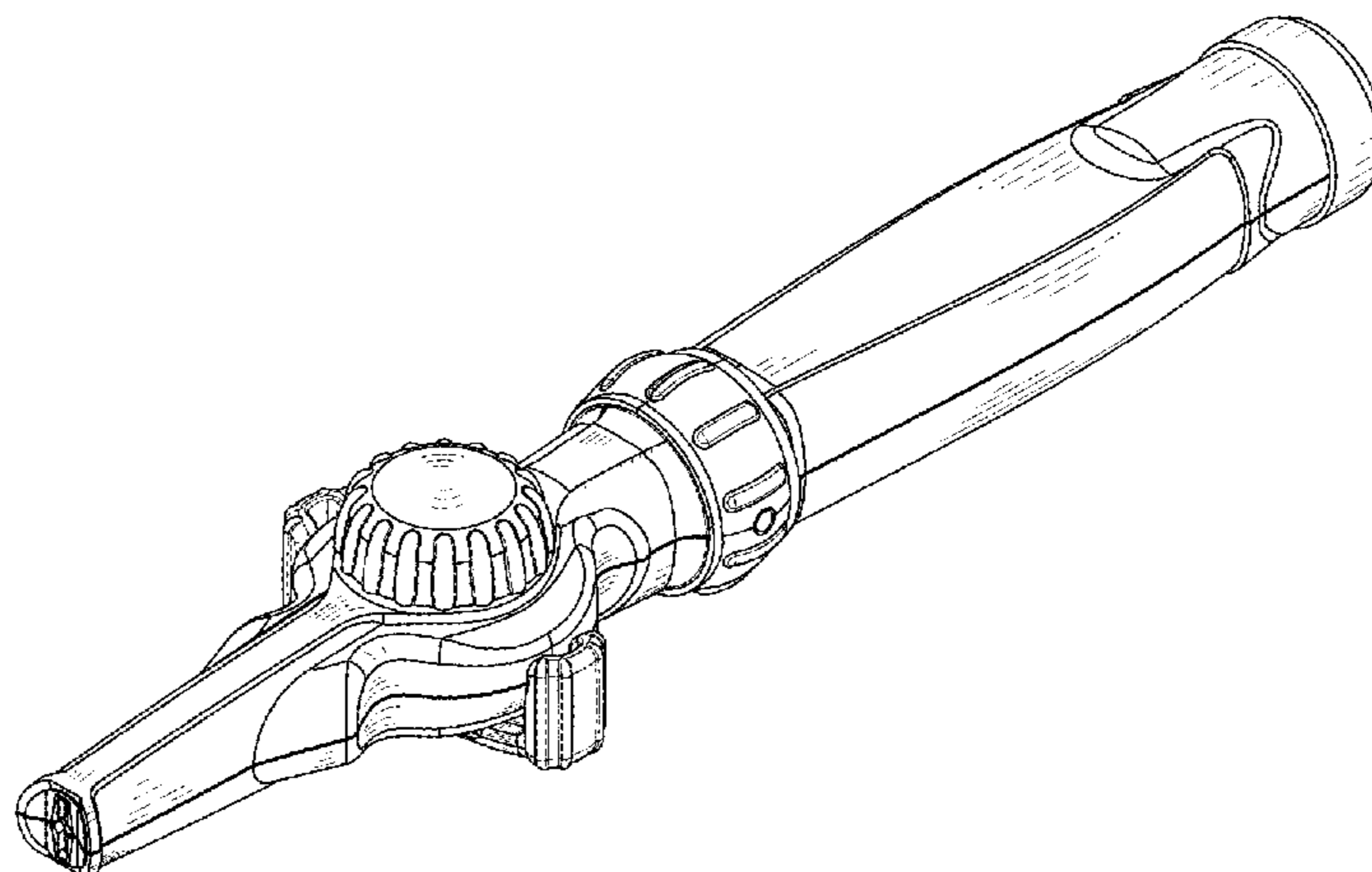
(57) **CLAIM**

The ornamental design for a catheter handle, as shown and  
 described.

**DESCRIPTION**

FIG. 1 is a perspective view of a first embodiment of a  
 catheter handle of our new design.  
 FIG. 2 is a front elevation thereof.  
 FIG. 3 is a rear elevation thereof.  
 FIG. 4 is a left side elevation thereof.  
 FIG. 5 is a right side elevation thereof.  
 FIG. 6 is a top plan view thereof; and,  
 FIG. 7 is a bottom plan view thereof.  
 The broken line showing of parts of the drawings is included  
 for the purpose of illustrating use and environment and  
 forms no part of the claimed design.

**1 Claim, 7 Drawing Sheets**



(56)

**References Cited**

U.S. PATENT DOCUMENTS

D734,457 S \* 7/2015 Yu ..... D24/130  
D751,194 S \* 3/2016 Yu ..... D24/130  
2010/0325296 A1 12/2010 Hamasaki et al.  
2014/0207185 A1 7/2014 Groble et al.

\* cited by examiner

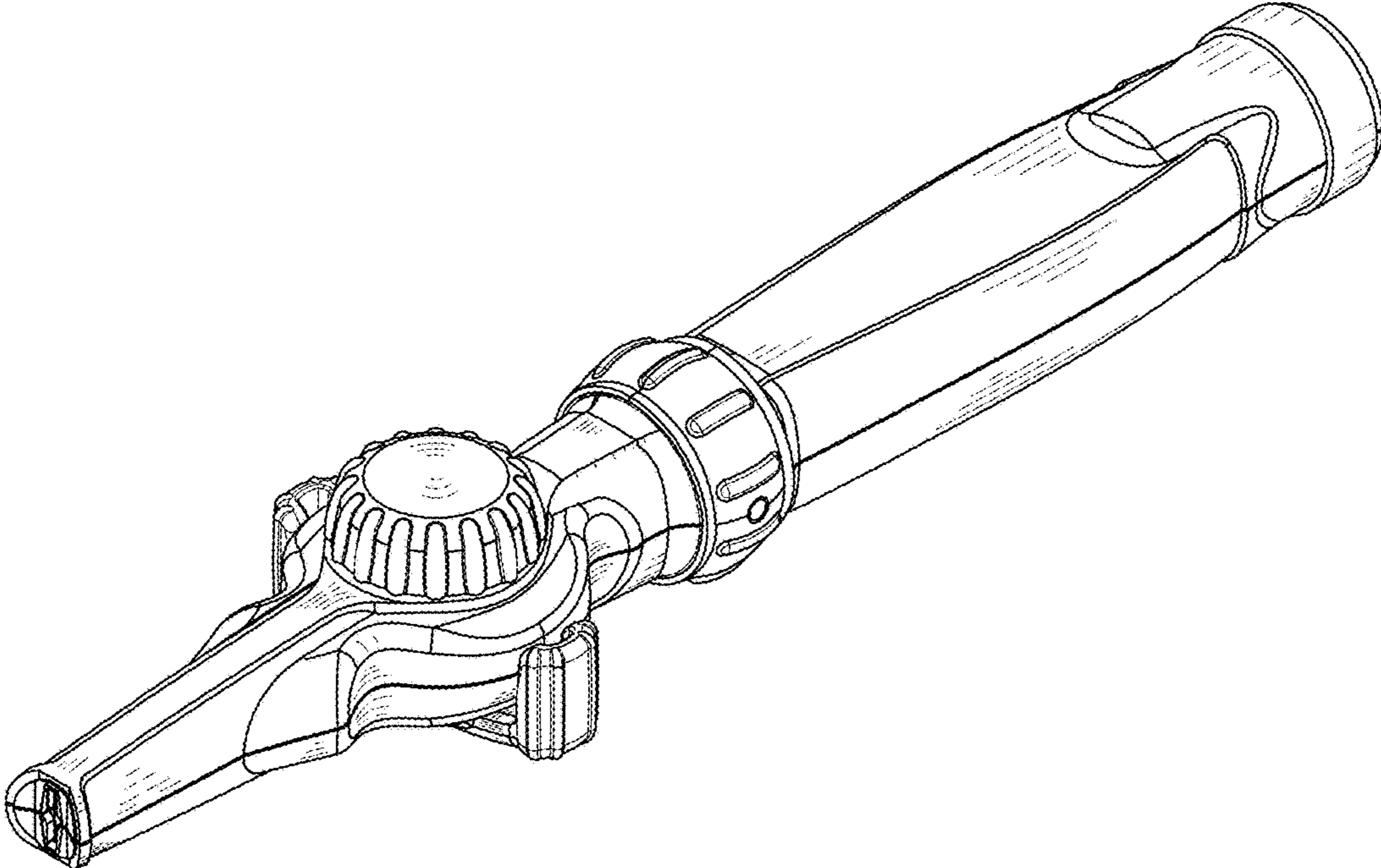


FIG. 1

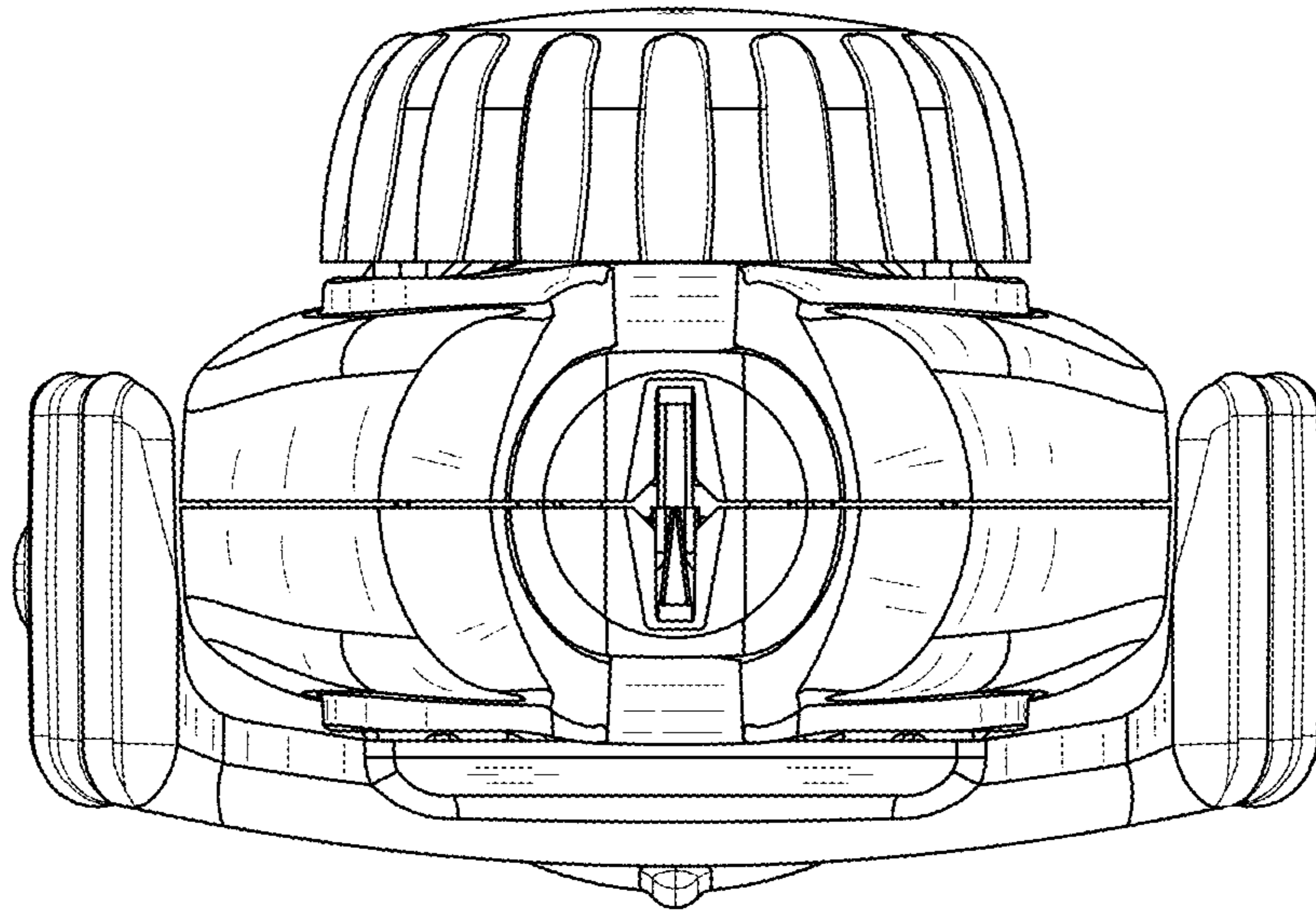


FIG. 2

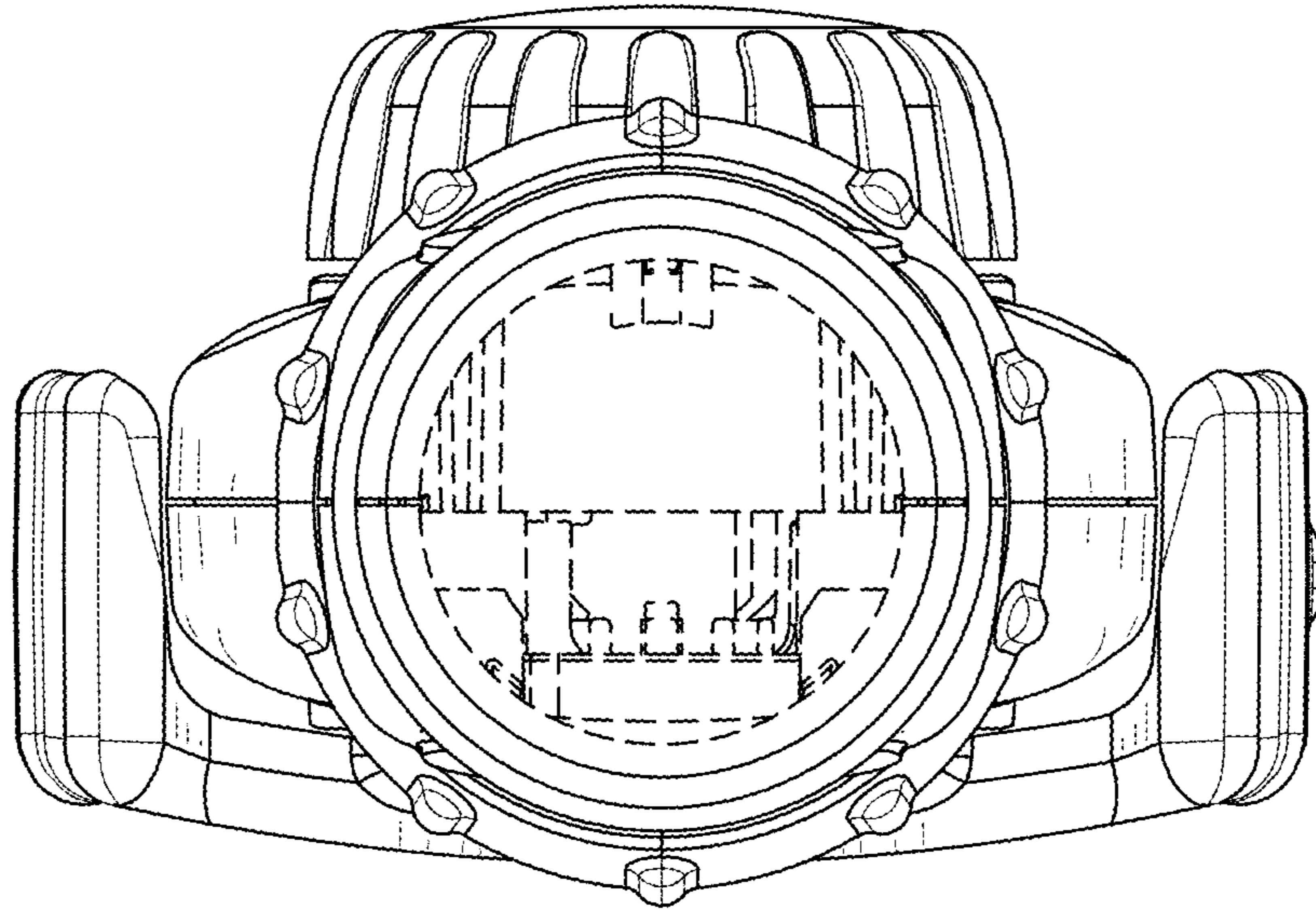


FIG. 3

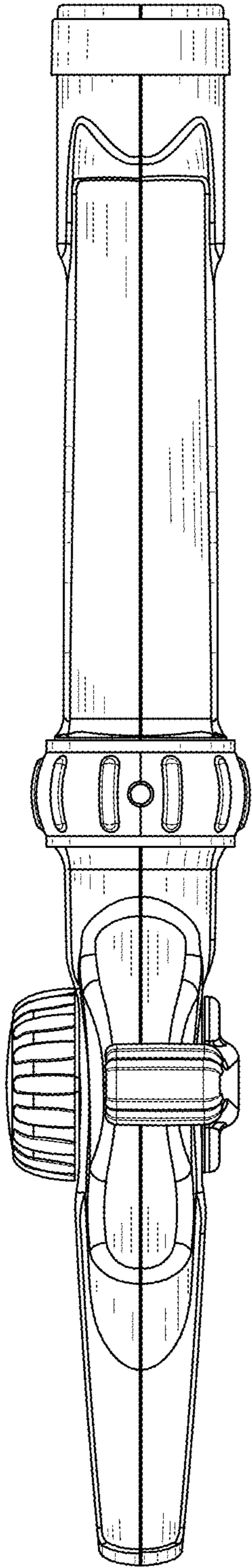


FIG. 4

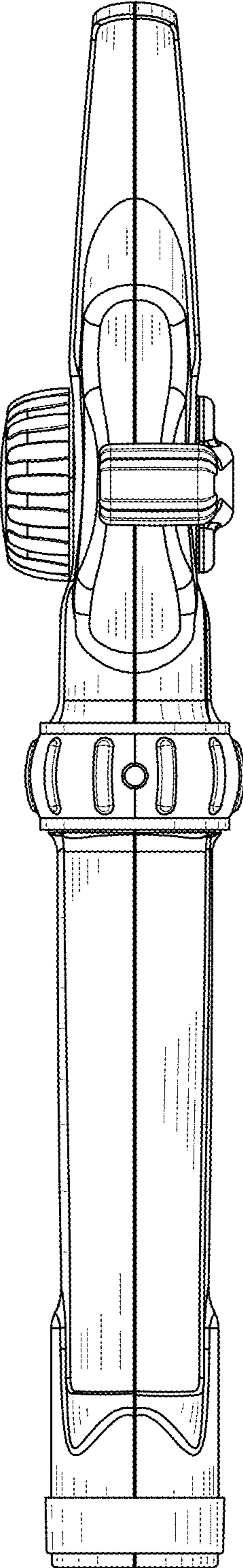


FIG. 5

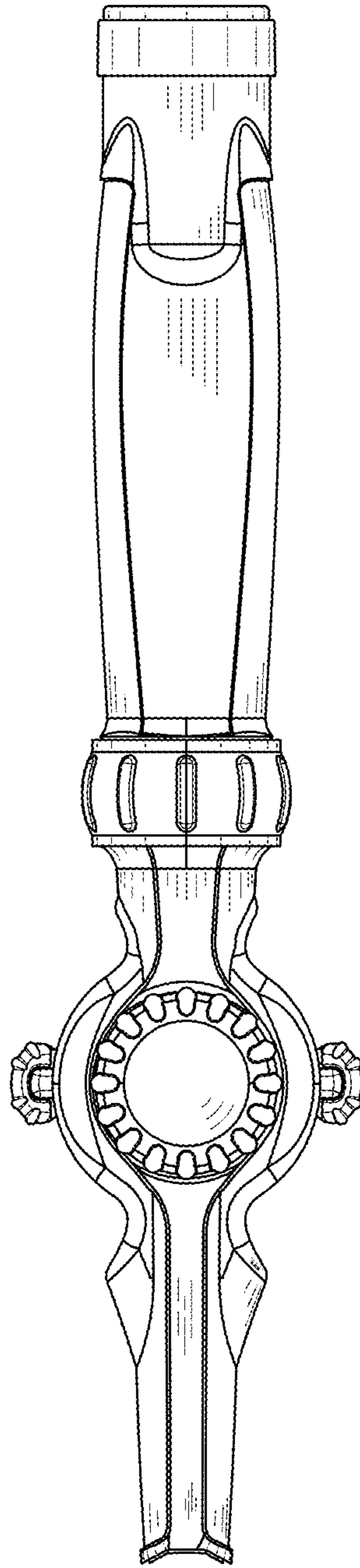


FIG. 6



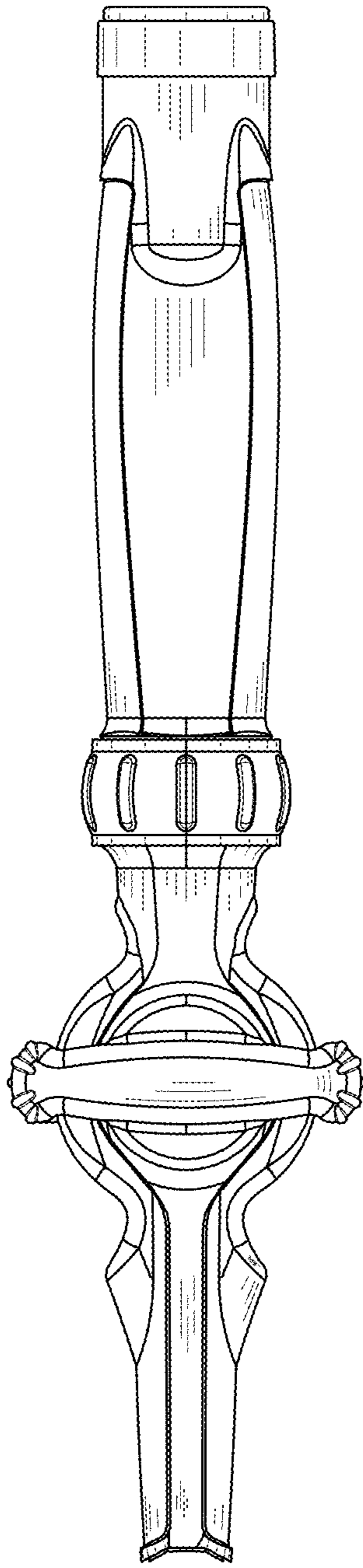


FIG. 7