



US00D827816S

(12) **United States Design Patent** (10) **Patent No.:** **US D827,816 S**
Newman (45) **Date of Patent:** **** Sep. 4, 2018**

(54) **TAMPON CAPSULE**

OTHER PUBLICATIONS

(71) Applicant: **Morgen Newman**, Los Altos Hills, CA (US)

“Cora Subscription Box Review” <https://www.bloglovin.com/blogs/my-subscription-addiction-4557521/cora-subscription-box-review-march-2016-4822287789>. Apr. 5, 2016.*

(72) Inventor: **Morgen Newman**, Los Altos Hills, CA (US)

* cited by examiner

(**) Term: **15 Years**

Primary Examiner — Garth Rademaker

(21) Appl. No.: **29/564,620**

Assistant Examiner — Samantha Q. Lawrence

(22) Filed: **May 13, 2016**

(74) *Attorney, Agent, or Firm* — J. Curtis Edmondson;

(51) **LOC (11) Cl.** **24-04**

Anitha Shankar Narayan; Law Offices of J. Curtis

(52) **U.S. Cl.**

Edmondson

USPC **D24/125**

(58) **Field of Classification Search**

(57) **CLAIM**

USPC D24/124–126; 604/347, 348, 358–361, 604/378, 380, 385.01, 385.22, 385.24, 604/385.25; D5/1, 2, 3, 37, 39, 53, 54, D5/57, 58, 59, 62, 99; D28/7

The ornamental design for a tampon capsule, as shown and described.

CPC A61F 13/704; A61F 13/5616; A61F 13/4758; A61F 13/472; A45D 34/04

DESCRIPTION

See application file for complete search history.

FIG. 1 is an isometric view of a tampon capsule; FIG. 2 is a front side view thereof; a back side view being a mirror image of front side view; FIG. 3 is a top plan view thereof; FIG. 4 is a bottom plan view thereof; FIG. 5 is an exploded view thereof showing the tampon capsule in an open position; and, FIG. 6 is another exploded view thereof showing the tampon capsule in an open position.

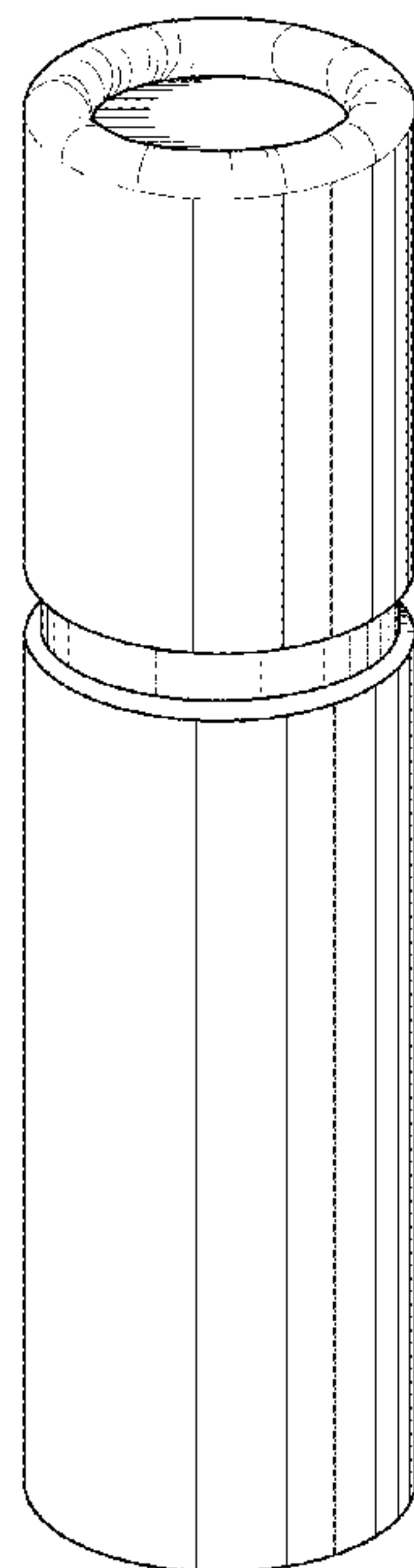
The broken lines shown in FIG. 4 illustrate portions of the tampon capsule that form no part of the claimed design. The broken lines shown in FIG. 5 illustrate environment and form no part of the claimed design.

(56) **References Cited**

U.S. PATENT DOCUMENTS

D306,354 S *	2/1990	Konose	D28/7
D325,264 S *	4/1992	Shinohara	D28/7
D457,624 S *	5/2002	Bernard	D24/124
D656,192 S *	3/2012	Chen	D19/163
D669,122 S *	10/2012	Liu	D19/163
D673,264 S *	12/2012	Kunze	D24/113
D734,539 S *	7/2015	Yeo	D28/7
D745,742 S *	12/2015	Betts	D28/7
D786,498 S *	5/2017	Medioni	D28/7
D789,452 S *	6/2017	Matsumura	D19/163
2011/0150558 A1 *	6/2011	Bissah	A61F 15/001
				401/262

1 Claim, 6 Drawing Sheets



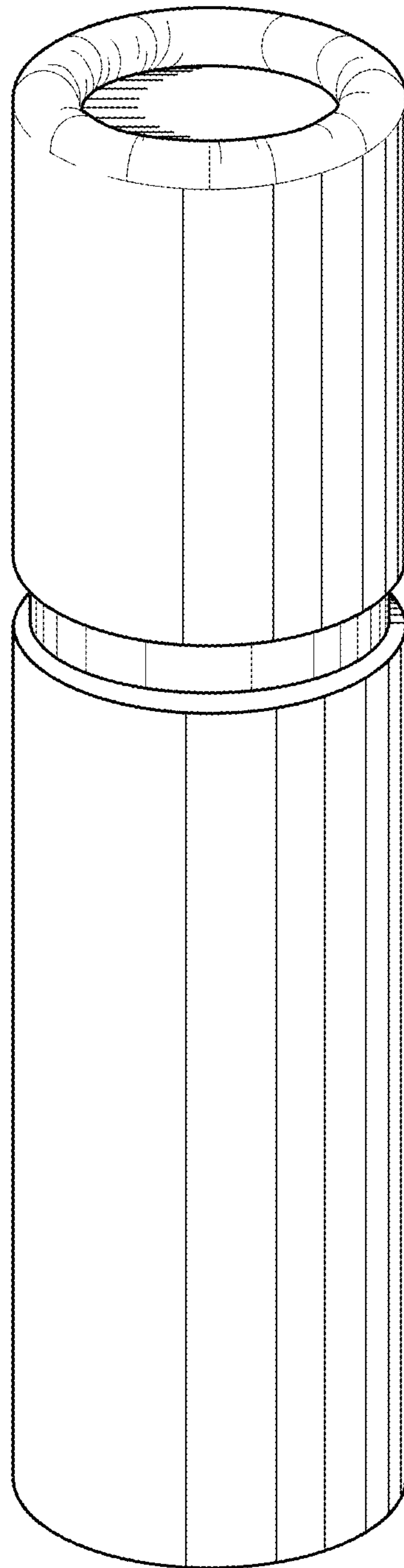


Fig. 1

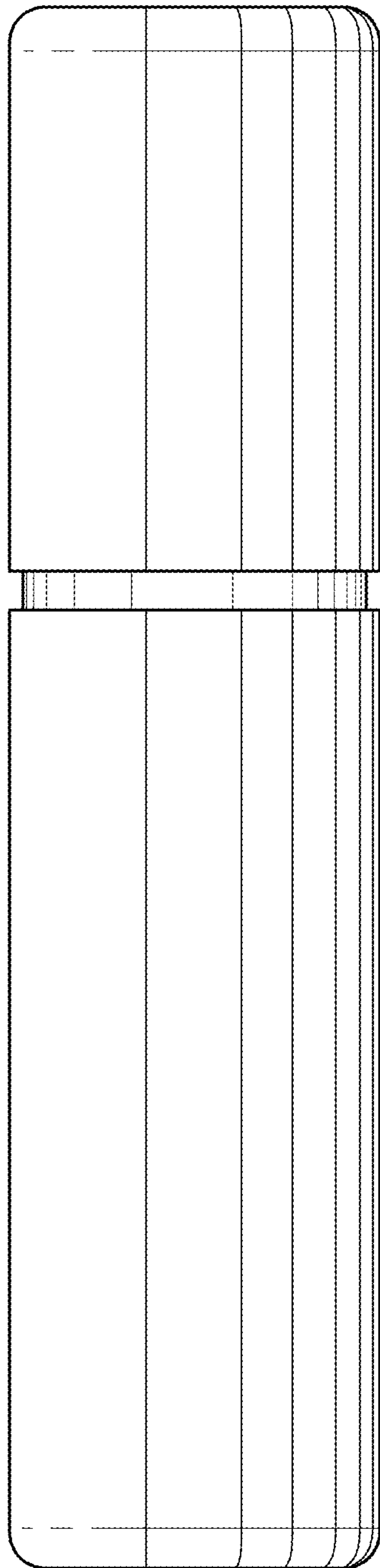


Fig. 2

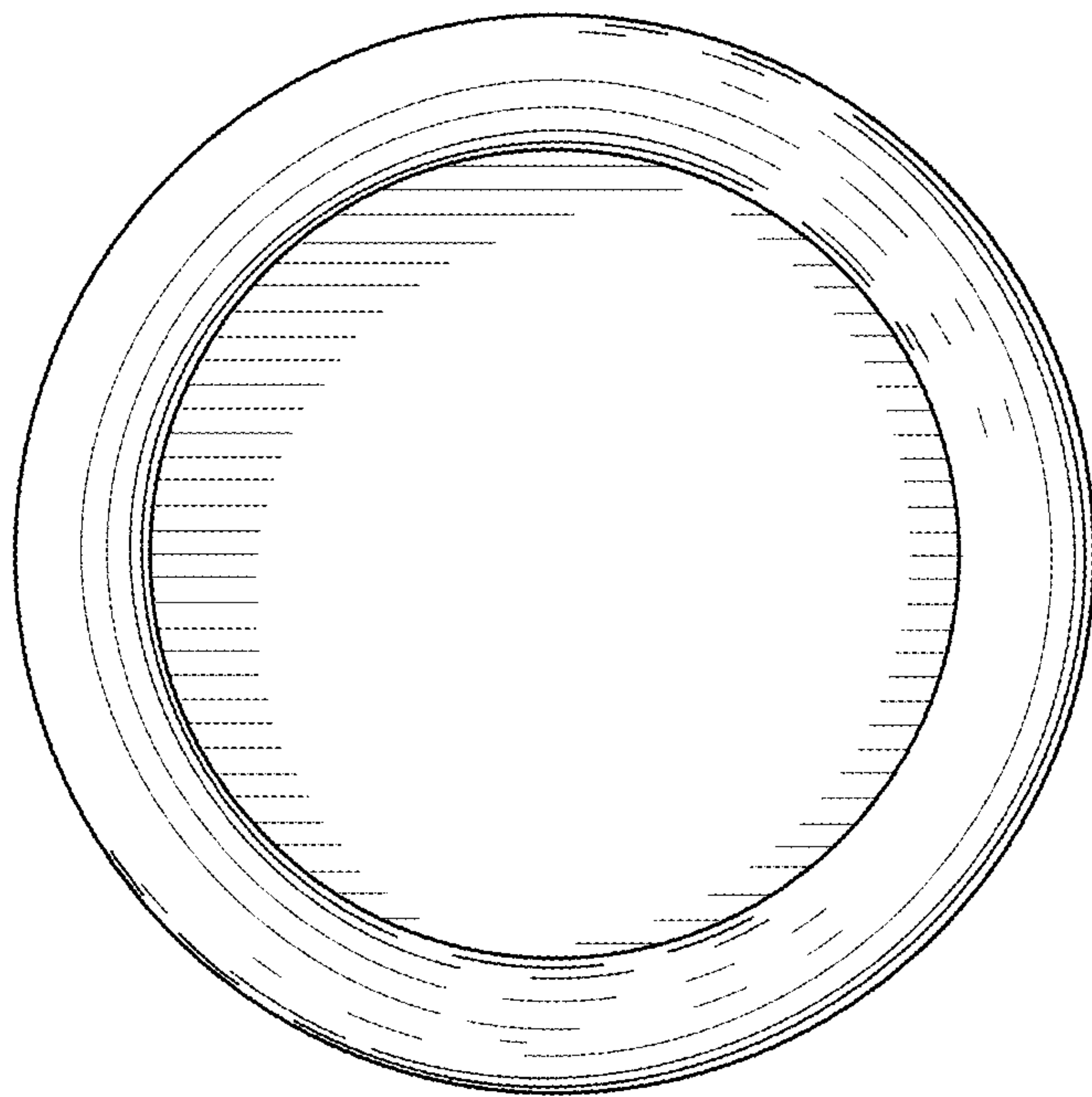


Fig. 3

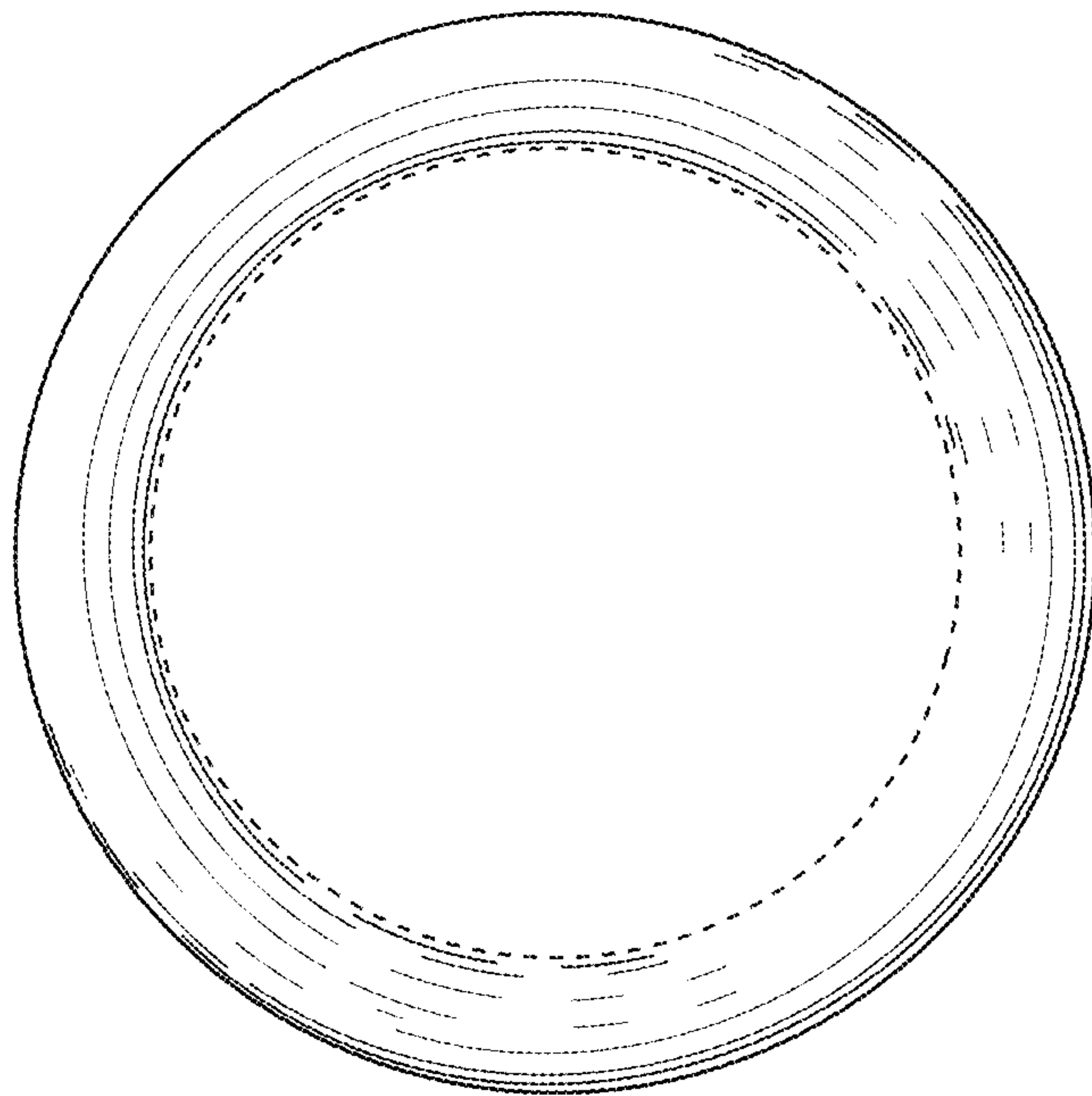


Fig. 4

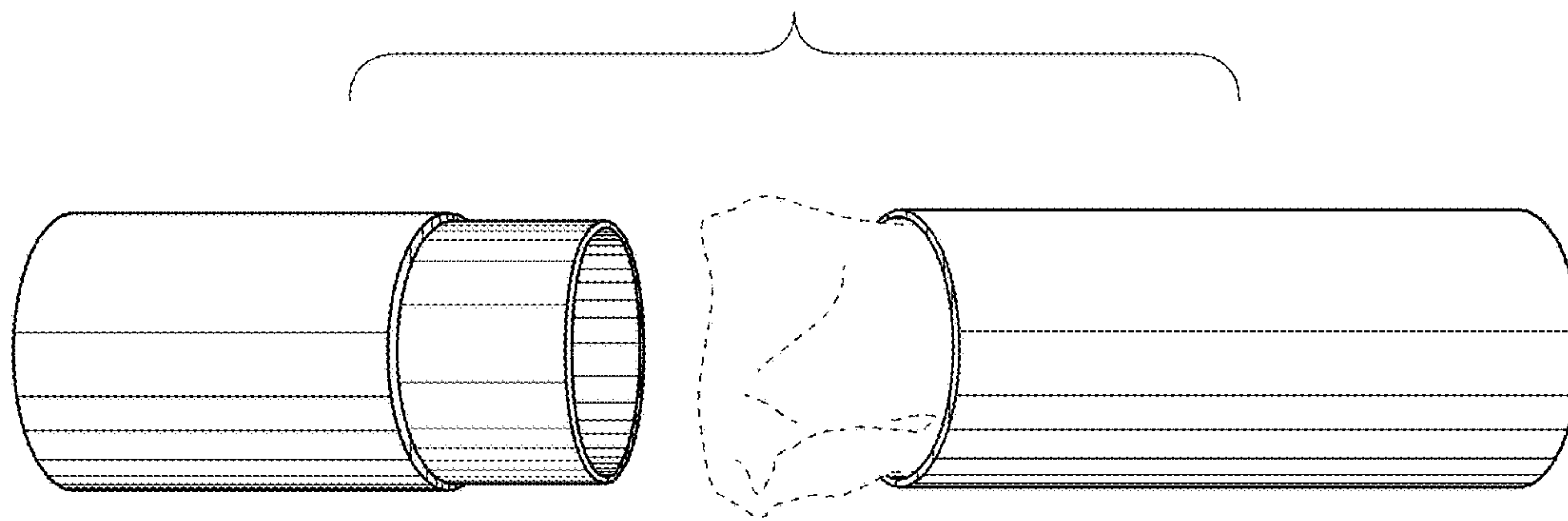


Fig. 5

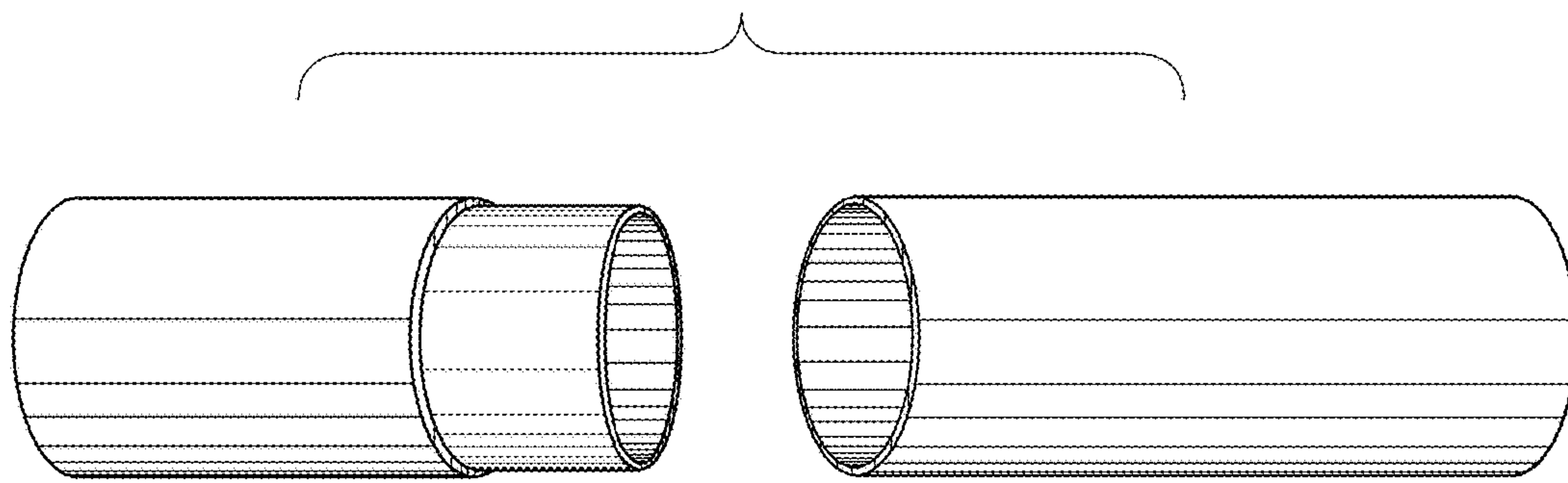


Fig. 6