



US00D827813S

(12) **United States Design Patent** (10) **Patent No.:** **US D827,813 S**
Copland et al. (45) **Date of Patent:** **** Sep. 4, 2018**

(54) **DUAL CHAMBER DISPENSING DEVICE**

(71) Applicant: **Cambium Medical Technologies LLC**,
Atlanta, GA (US)

(72) Inventors: **Ian Copland**, Atlanta, GA (US); **Ashley Reavis**, McDonough, GA (US); **Emily Butts**, Leesburg, GA (US); **Marisa Casola**, Beverly Hills, FL (US); **Nihir Patel**, Roswell, GA (US)

(73) Assignee: **Cambium Medical Technologies LLC**,
Atlanta, GA (US)

(**) Term: **15 Years**

(21) Appl. No.: **29/528,581**

(22) Filed: **May 29, 2015**

(51) **LOC (11) Cl.** **24-02**

(52) **U.S. Cl.**
USPC **D24/112**

(58) **Field of Classification Search**
USPC D9/435, 436, 500–505, 516, 529, 539,
D9/549, 550, 558, 715; D3/203.1–203.5;
(Continued)

(56) **References Cited**

U.S. PATENT DOCUMENTS

D309,493 S * 7/1990 Casberg D23/208
5,234,667 A * 8/1993 Radtke B01L 3/5021
422/548

(Continued)

FOREIGN PATENT DOCUMENTS

WO 2005/030111 A1 4/2005
WO 2005/034861 A2 4/2005

(Continued)

OTHER PUBLICATIONS

International Search Report and Written Opinion for Application
No. PCT/US2016/028866 dated Jul. 15, 2016.

Primary Examiner — Ian Simmons

Assistant Examiner — Keith Frank

(74) *Attorney, Agent, or Firm* — Kilpatrick Townsend &
Stockton LLP

(57) **CLAIM**

The ornamental design for a dual chamber dispensing device, as shown and described.

DESCRIPTION

FIG. 1 is a front perspective view of a first embodiment of a dual chamber dispensing device.

FIG. 2 is a front elevation view of the dual chamber dispensing device of FIG. 1, the rear elevation view being identical to the front elevation view.

FIG. 3 is a right side elevation view of the dual chamber dispensing device of FIG. 1, the left side elevation view being identical to the right side elevation view.

FIG. 4 is a top plan view of the dual chamber dispensing device of FIG. 1.

FIG. 5 is a bottom plan view of the dual chamber dispensing device of FIG. 1.

FIG. 6 is an exploded front elevation view of the dual chamber dispensing device of FIG. 1.

FIG. 7 is a front perspective view of a liquid chamber and dispenser of the dual chamber dispensing device of FIG. 1.

FIG. 8 is a bottom perspective view of the liquid chamber and dispenser of the dual chamber dispensing device of FIG. 1.

FIG. 9 is a front elevation view of the liquid chamber and dispenser of the dual chamber dispensing device of FIG. 1, the rear elevation view being identical to the front elevation view shown in FIG. 9, it being understood that the front and rear elevation views of the liquid chamber and dispenser are identical to the views of the liquid chamber and dispenser shown in FIGS. 2 and 6, it being further understood that the right and left side elevation views of the liquid chamber and dispenser are identical to the view of the liquid chamber and dispenser shown in FIG. 3.

FIG. 10 is a top plan view of the liquid chamber and dispenser of the dual chamber dispensing device of FIG. 1.

(Continued)

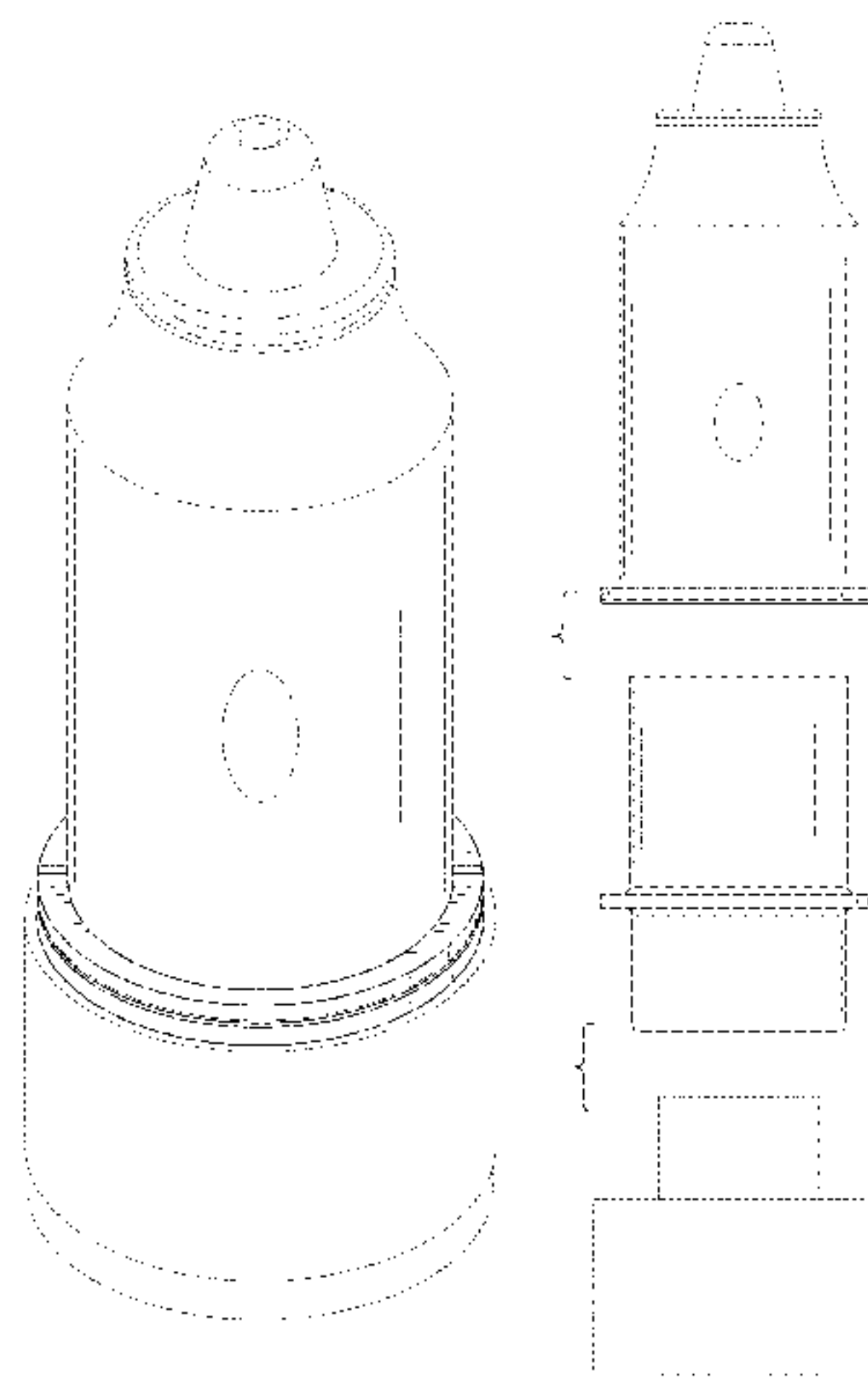


FIG. 11 is a bottom plan view of the liquid chamber and dispenser of the dual chamber dispensing device of FIG. 1. FIG. 12 is a front perspective view of a frangible connector portion of the dual chamber dispensing device of FIG. 1, with the frangible material removed.

FIG. 13 is a bottom perspective view of the frangible connector portion of the dual chamber dispensing device of FIG. 1, with the frangible material removed.

FIG. 14 is a front elevation view of the frangible connector portion of the dual chamber dispensing device of FIG. 1, the rear, right side, and left side elevation views being identical the front elevation view shown in FIG. 14, it being understood that the front, rear, right side, and left side elevation views of the frangible connector portion are identical to the view of the frangible connector portion shown in FIG. 6.

FIG. 15 is a top plan view of the frangible connector portion of the dual chamber dispensing device of FIG. 1, with the frangible material removed.

FIG. 16 is a bottom plan view of the frangible connector portion of the dual chamber dispensing device of FIG. 1, with the frangible material removed.

FIG. 17 is a front perspective view of a second embodiment of a dual chamber dispensing device.

FIG. 18 is a front elevation view of the dual chamber dispensing device of FIG. 17, the rear elevation view being identical to the front elevation view.

FIG. 19 is a right side elevation view of the dual chamber dispensing device of FIG. 17, the left side elevation view being identical to the right side elevation view.

FIG. 20 is a top plan view of the dual chamber dispensing device of FIG. 17.

FIG. 21 is a bottom plan view the dual chamber dispensing device of FIG. 17.

FIG. 22 is an exploded front elevation view of the dual chamber dispensing device of FIG. 17.

FIG. 23 is a front perspective view of a frangible connector portion of the dual chamber dispensing device of FIG. 17, with the frangible material removed.

FIG. 24 is a bottom perspective view of the frangible connector portion of the dual chamber dispensing device of FIG. 17, with the frangible material removed.

FIG. 25 is a front elevation view of the frangible connector portion of the dual chamber dispensing device of FIG. 17, the rear, right side, and left side elevation views being identical the front elevation view shown in FIG. 25, it being understood that the front, rear, right side, and left side elevation views of the frangible connector portion are identical to the view of the frangible connector portion shown in FIG. 22.

FIG. 26 is a top plan view of the frangible connector portion of the dual chamber dispensing device of FIG. 17, with the frangible material removed.

FIG. 27 is a bottom plan view of the frangible connector portion of the dual chamber dispensing device of FIG. 17, with the frangible material removed.

FIG. 28 is a front perspective view of a dry chamber of the dual chamber dispensing device of FIG. 17.

FIG. 29 is a front elevation view of the dry chamber of the dual chamber dispensing device of FIG. 17, the rear, right side, and left side elevation views being identical the front elevation view shown in FIG. 29, it being understood that the front, rear, right side, and left side elevation views of the dry chamber are identical to the view of the dry chamber shown in FIG. 22; and,

FIG. 30 is a top plan view of the dry chamber of the dual chamber dispensing device of FIG. 17, it being understood that the bottom plan view of the dry chamber is identical to the view shown in FIG. 21.

In the drawings, details shown in broken lines form no part of the claimed design. The dash-dot lines in FIGS. 12, 15, 23, and 26 represent unclaimed lines on the frangible connector portion.

1 Claim, 25 Drawing Sheets

(58) **Field of Classification Search**

USPC D28/4, 76, 88; D19/66, 162; D24/121, D24/224
CPC .. B65D 83/0005; B65D 83/005; B65D 83/00; B65D 47/18; B65D 1/20; B05C 17/0053
See application file for complete search history.

(56) **References Cited**

U.S. PATENT DOCUMENTS

5,257,984	A *	11/1993	Kelley	B01L 3/5021 422/918
D352,875	S *	11/1994	Story	D18/18
5,513,768	A *	5/1996	Smith	B01L 3/50825 215/278
5,604,101	A *	2/1997	Hanley	B01L 3/50825 435/6.16
D379,490	S *	5/1997	O'Dougherty	D23/208
D425,625	S *	5/2000	Niermann	D24/122
D438,591	S *	3/2001	Froeber	D23/207
D562,137	S *	2/2008	Florio	D28/89
D580,069	S *	11/2008	Lee	D24/114
7,775,849	B2 *	8/2010	Wong	A63H 23/10 124/65
D687,304	S *	8/2013	Tanner	D24/121
D692,773	S *	11/2013	Kim	D9/690
D716,965	S *	11/2014	Fruscella	D24/224
D751,921	S *	3/2016	Lam	D9/504
D767,159	S *	9/2016	Maas	D24/224
D770,853	S *	11/2016	Gschwandtl	D7/510
2008/0283439	A1	11/2008	Sullivan et al.	

FOREIGN PATENT DOCUMENTS

WO	2007/038773	A1	4/2007
WO	2008/11548	A2	9/2008

* cited by examiner

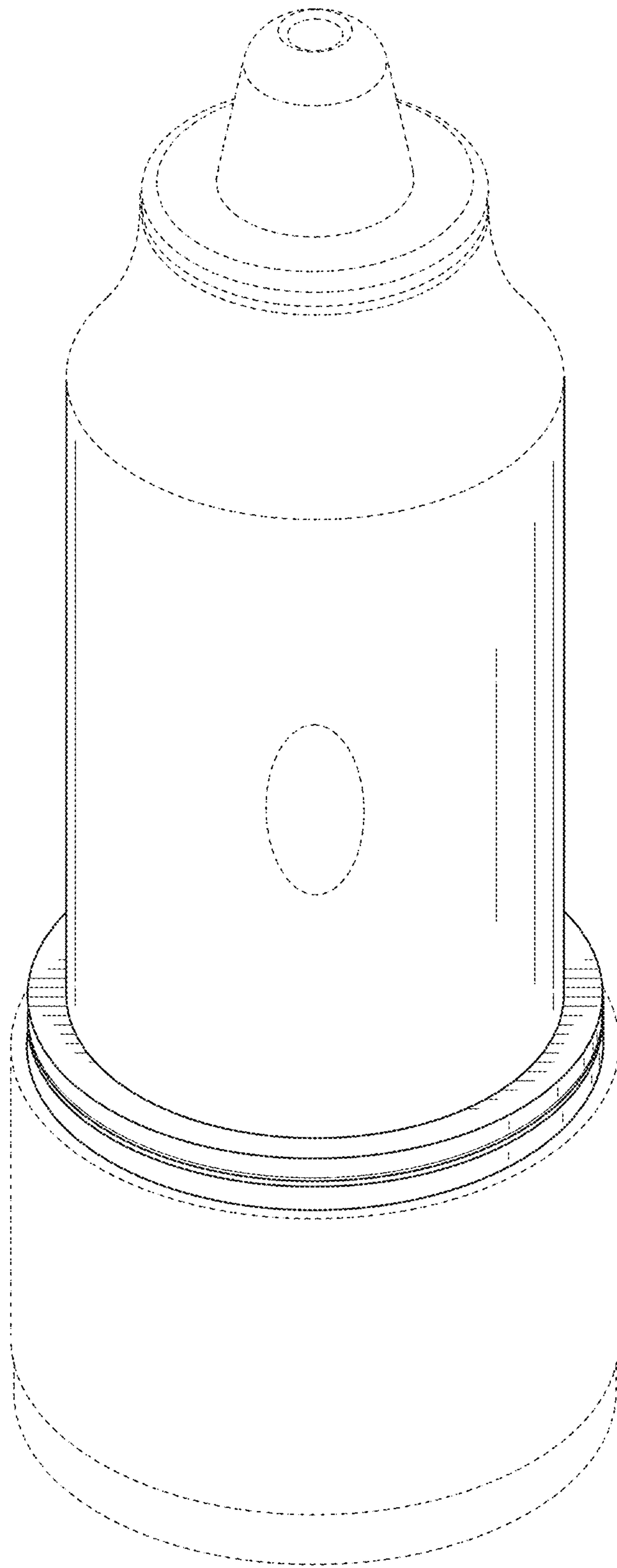


FIG. 1

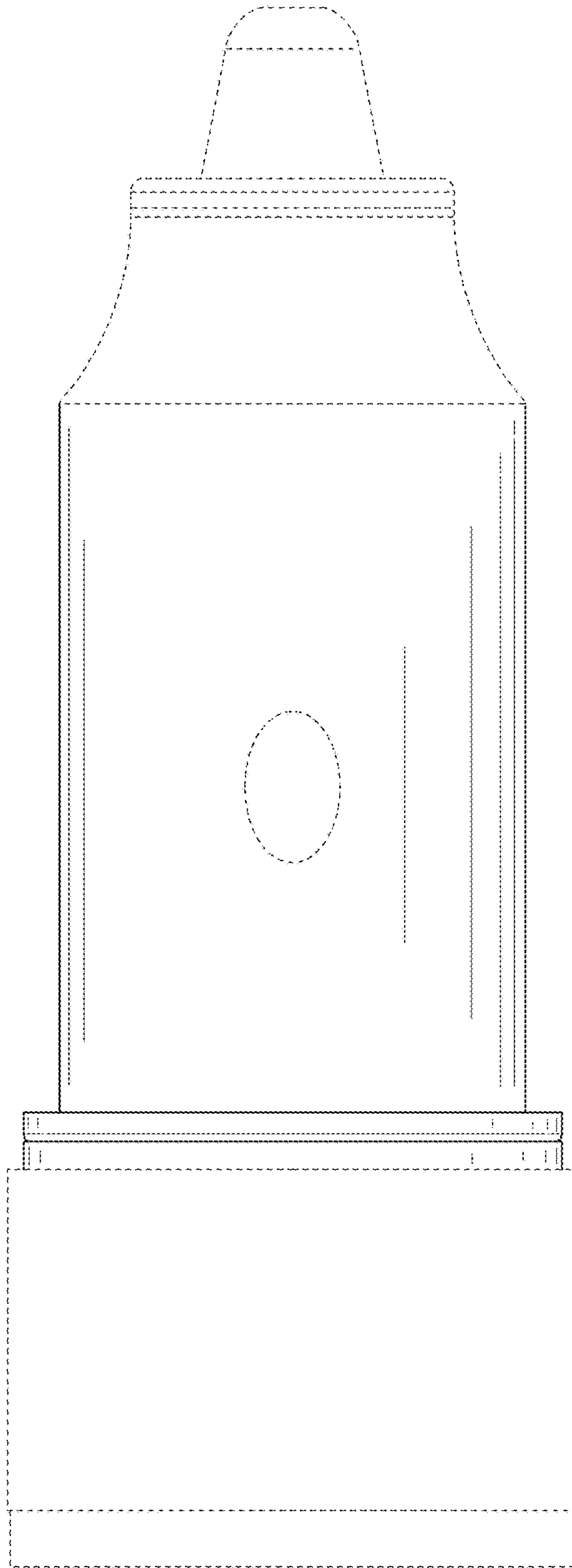


FIG. 2

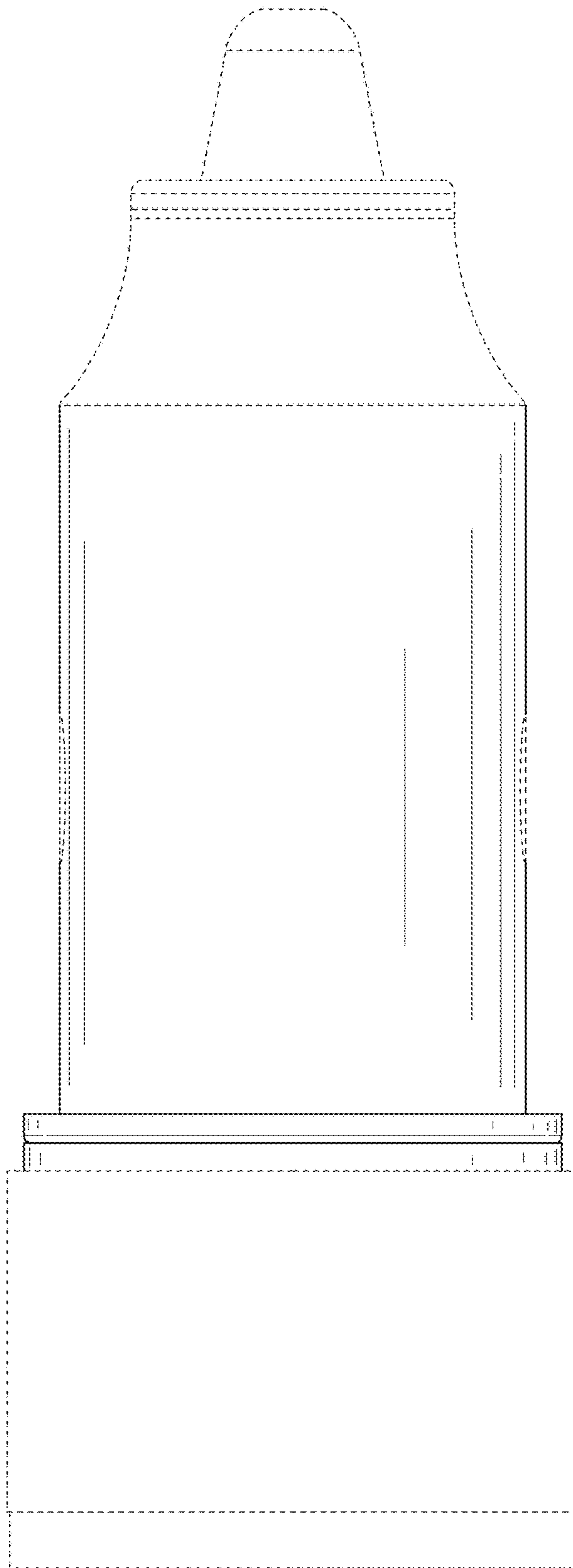


FIG. 3

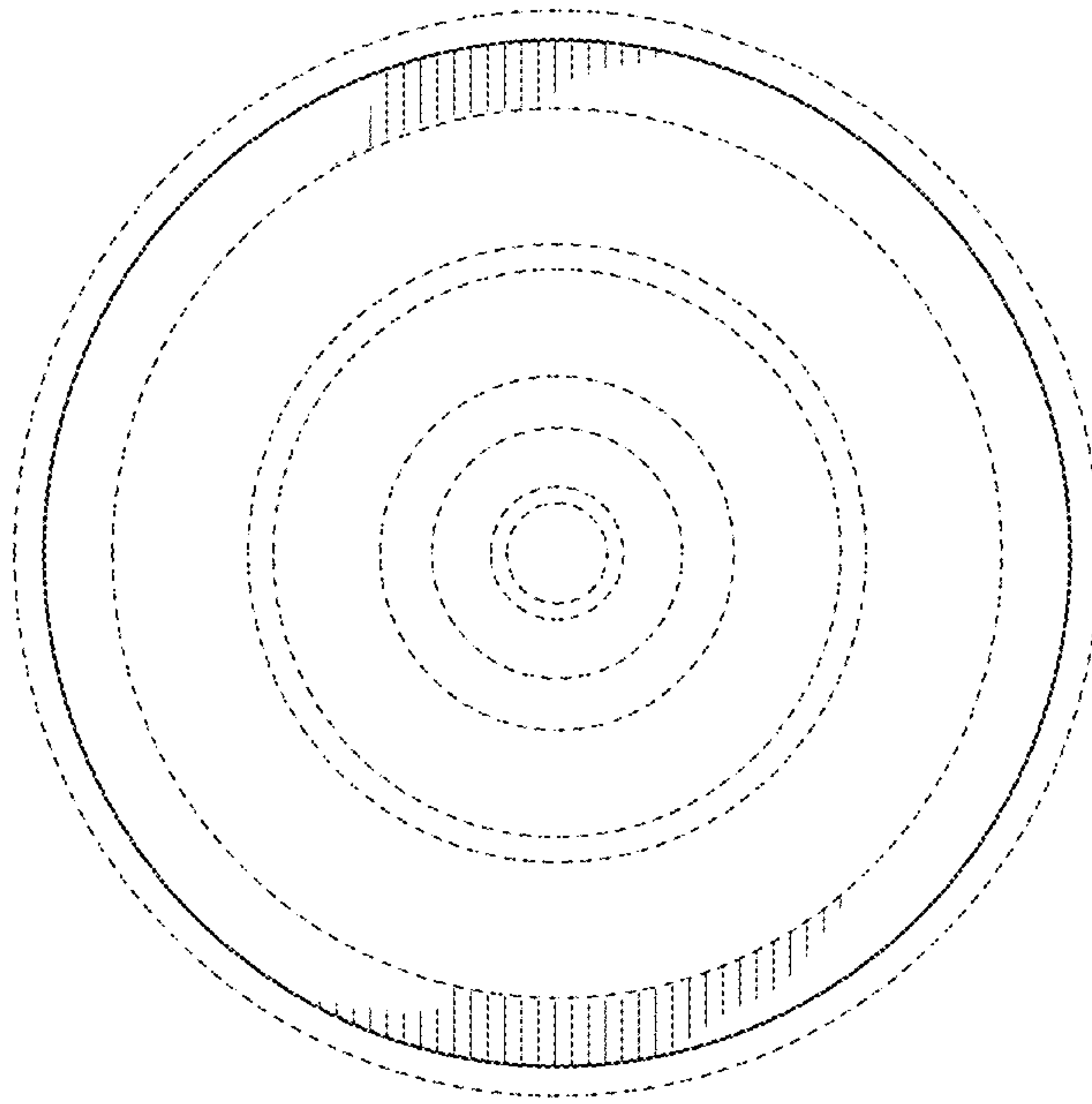


FIG. 4

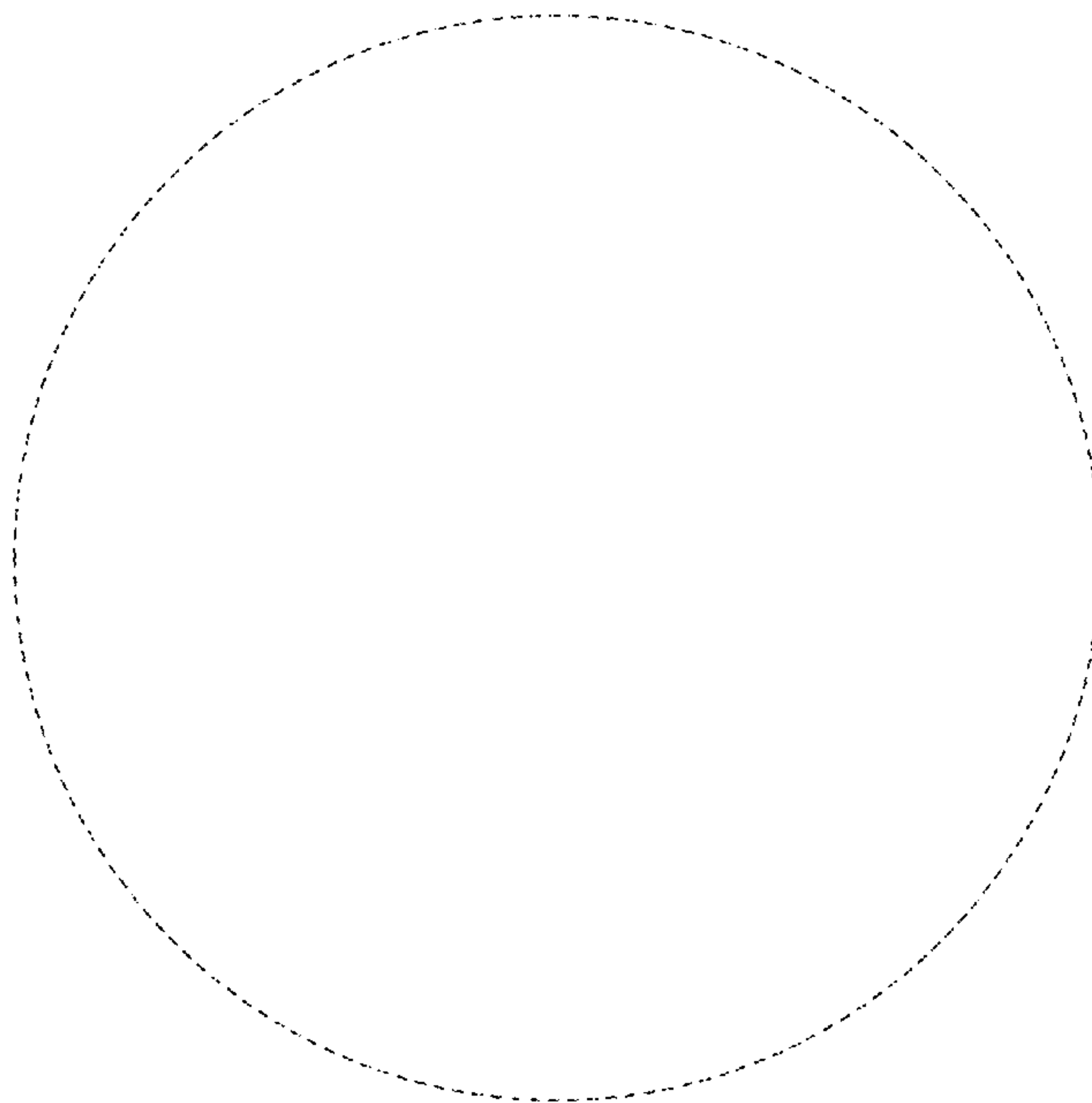


FIG. 5

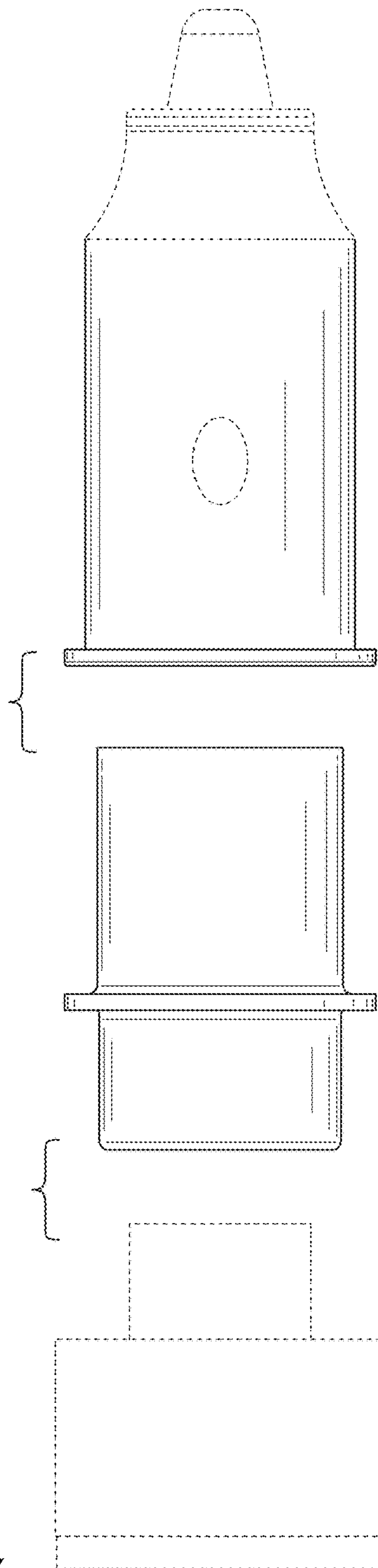


FIG. 6

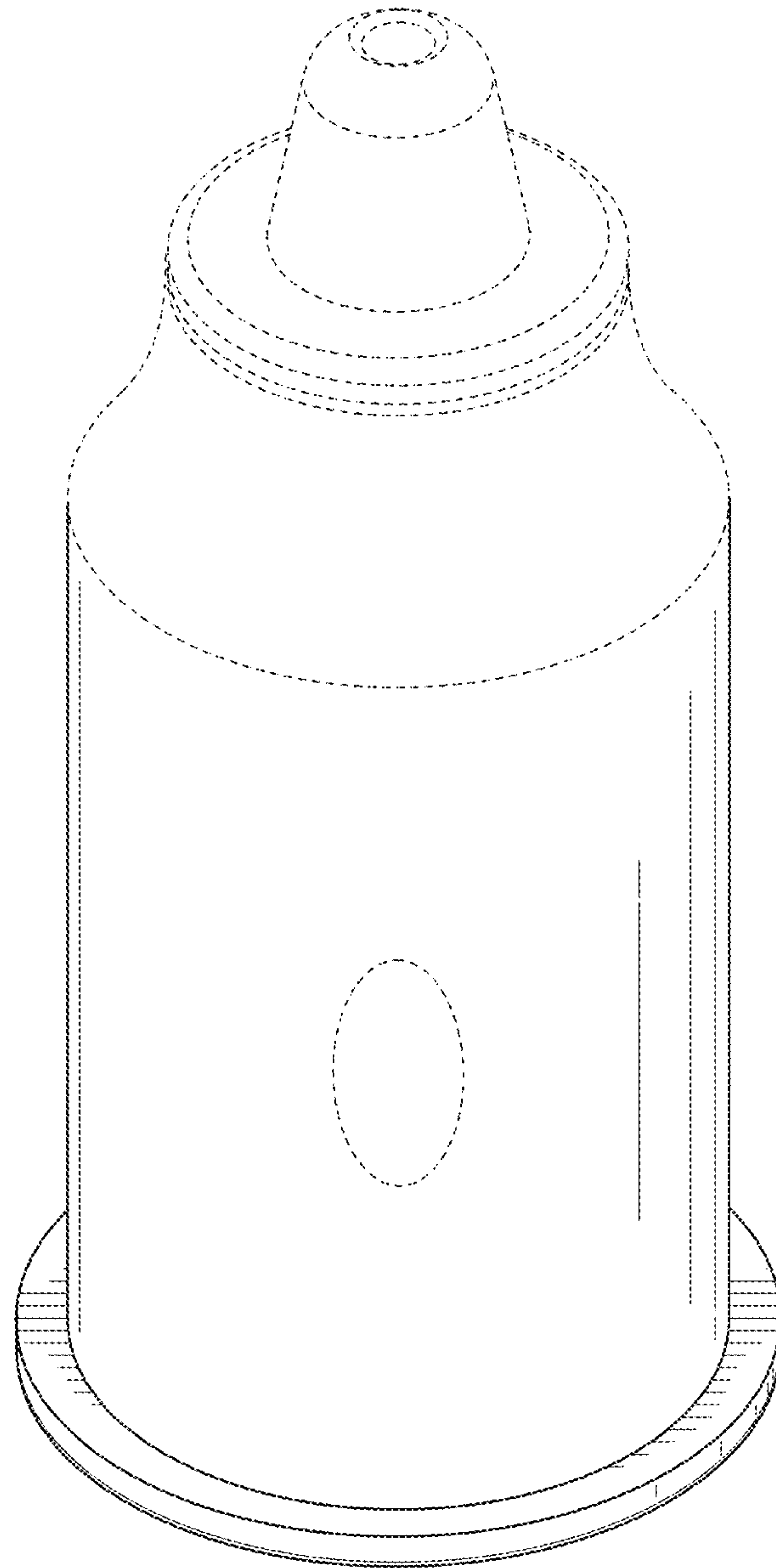


FIG. 7

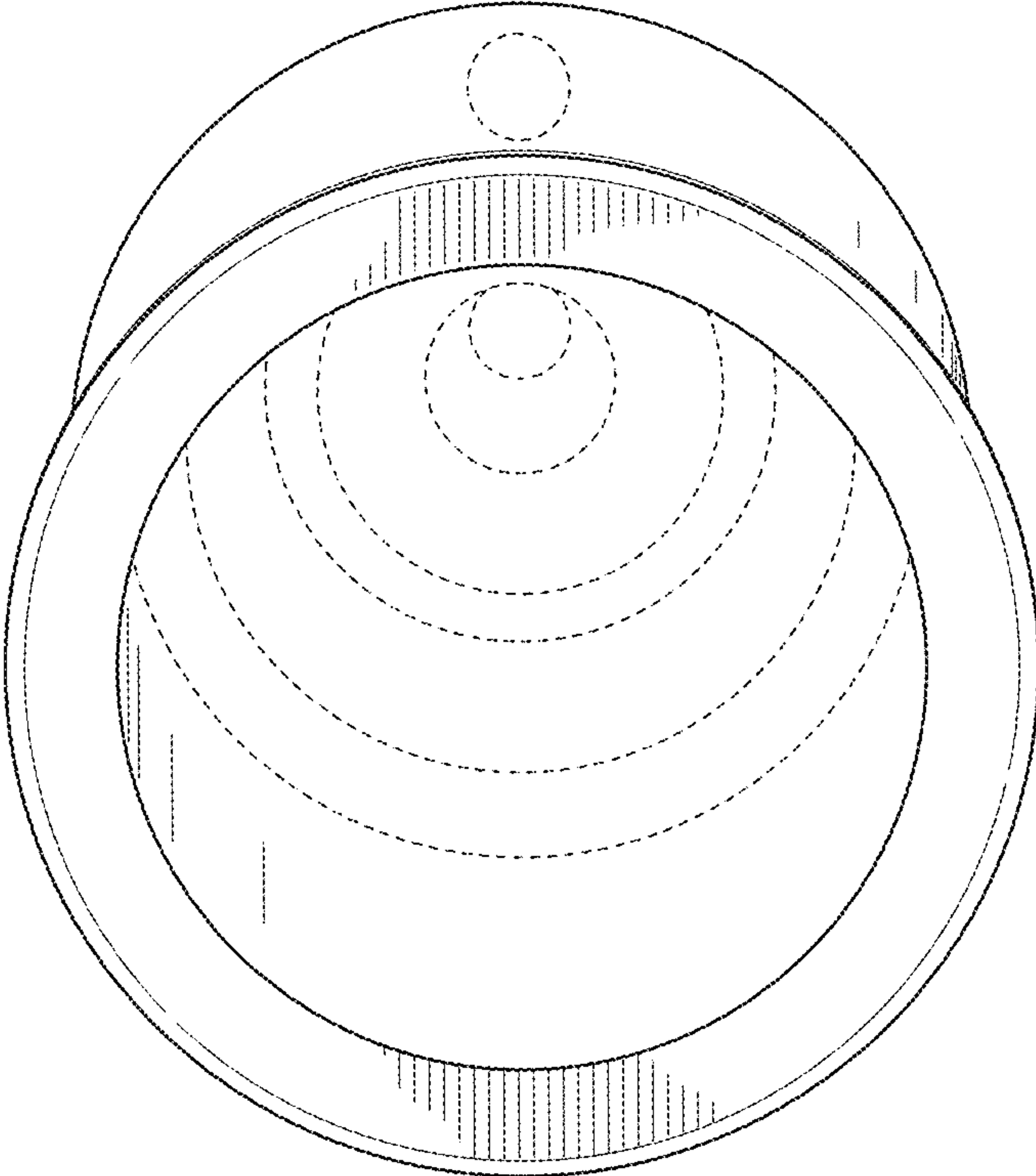


FIG. 8

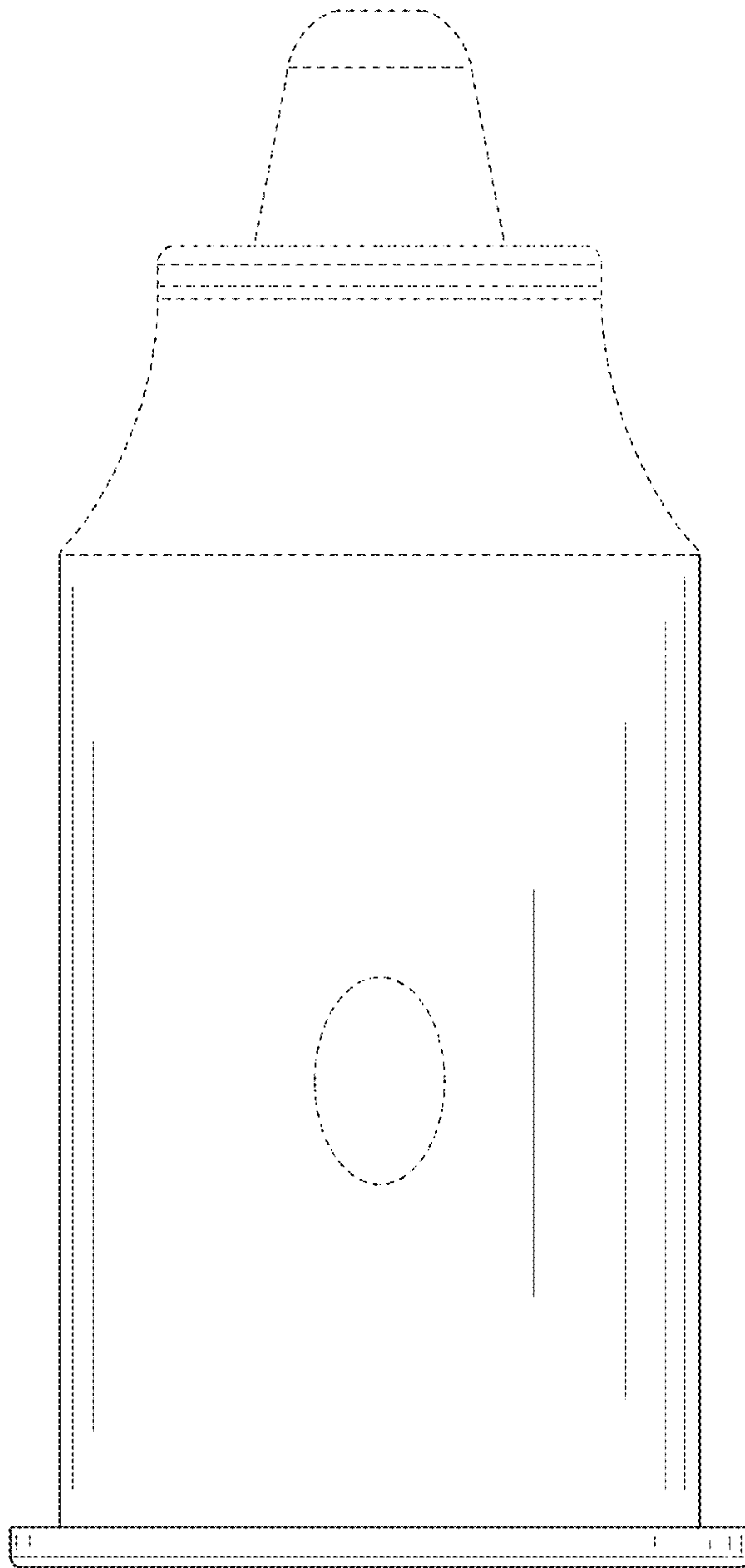


FIG. 9

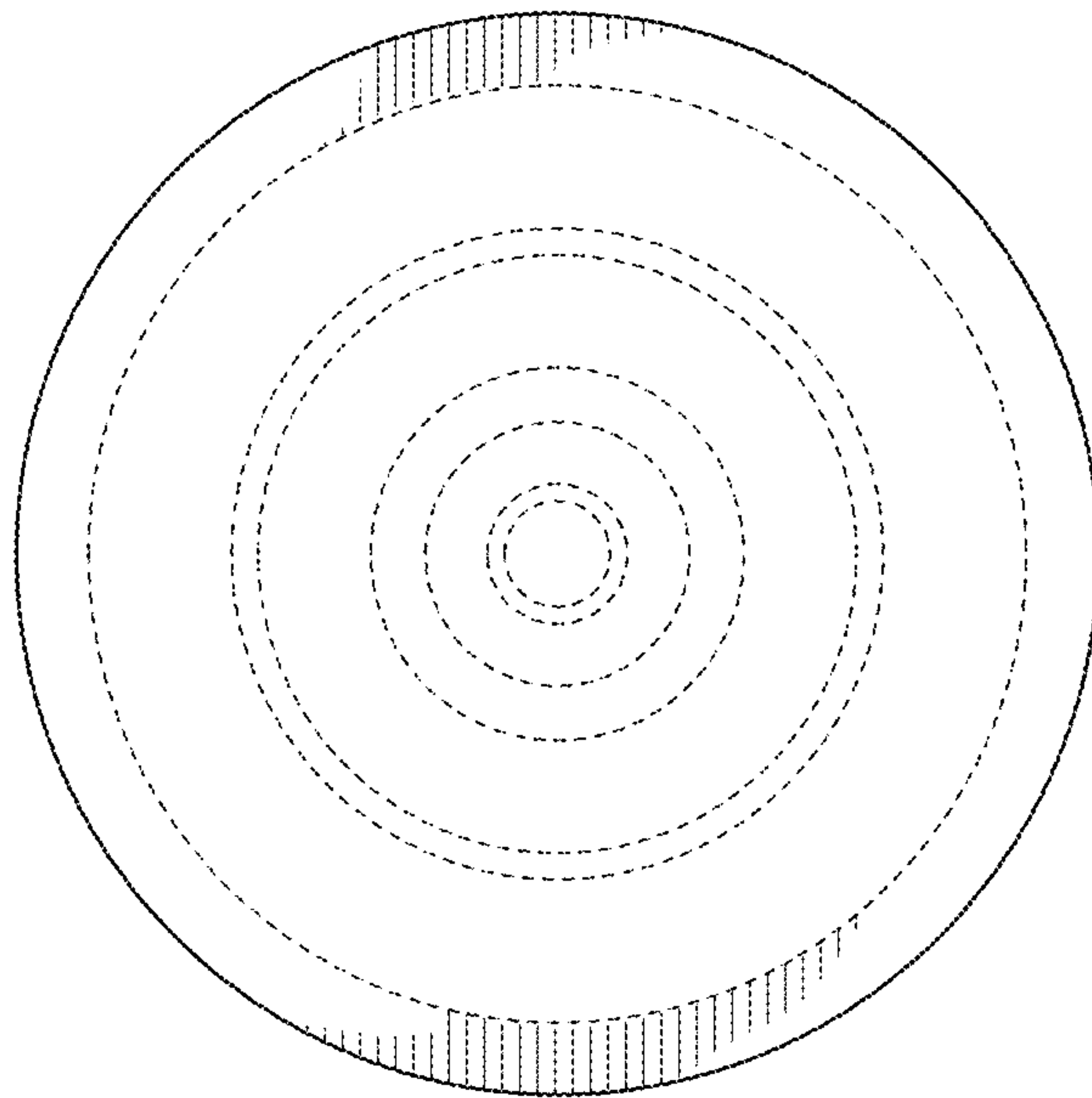


FIG. 10

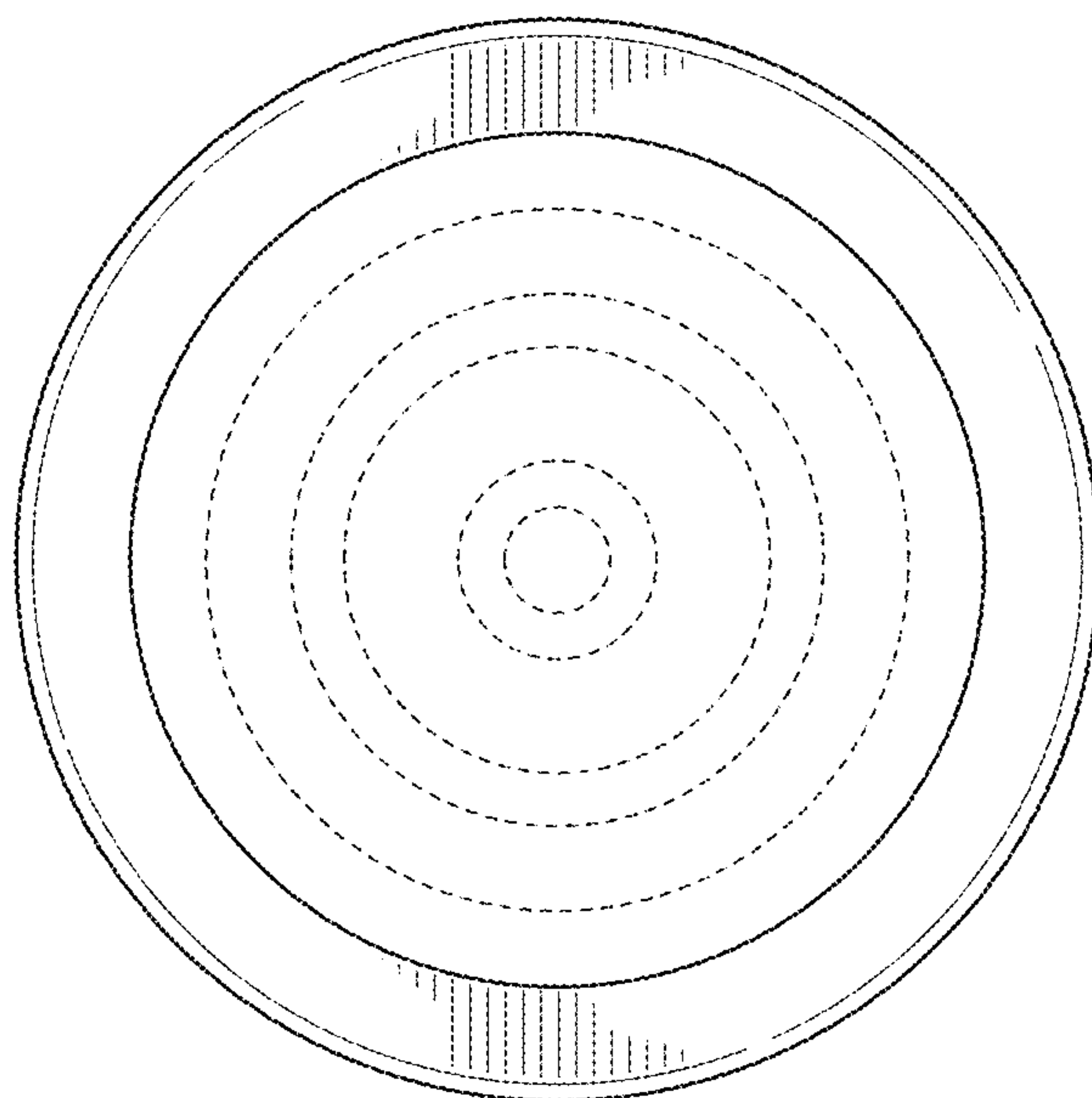


FIG. 11

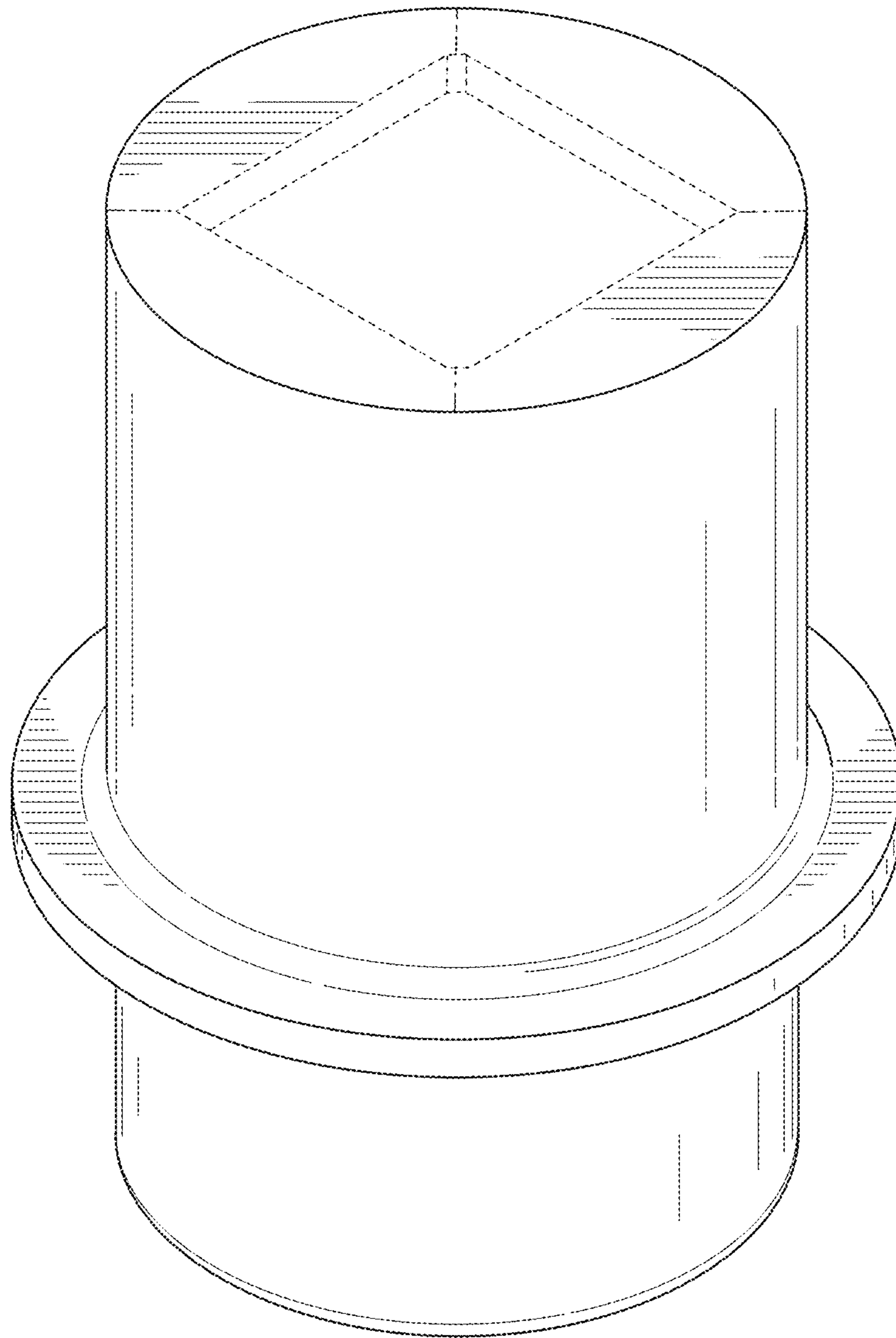


FIG. 12

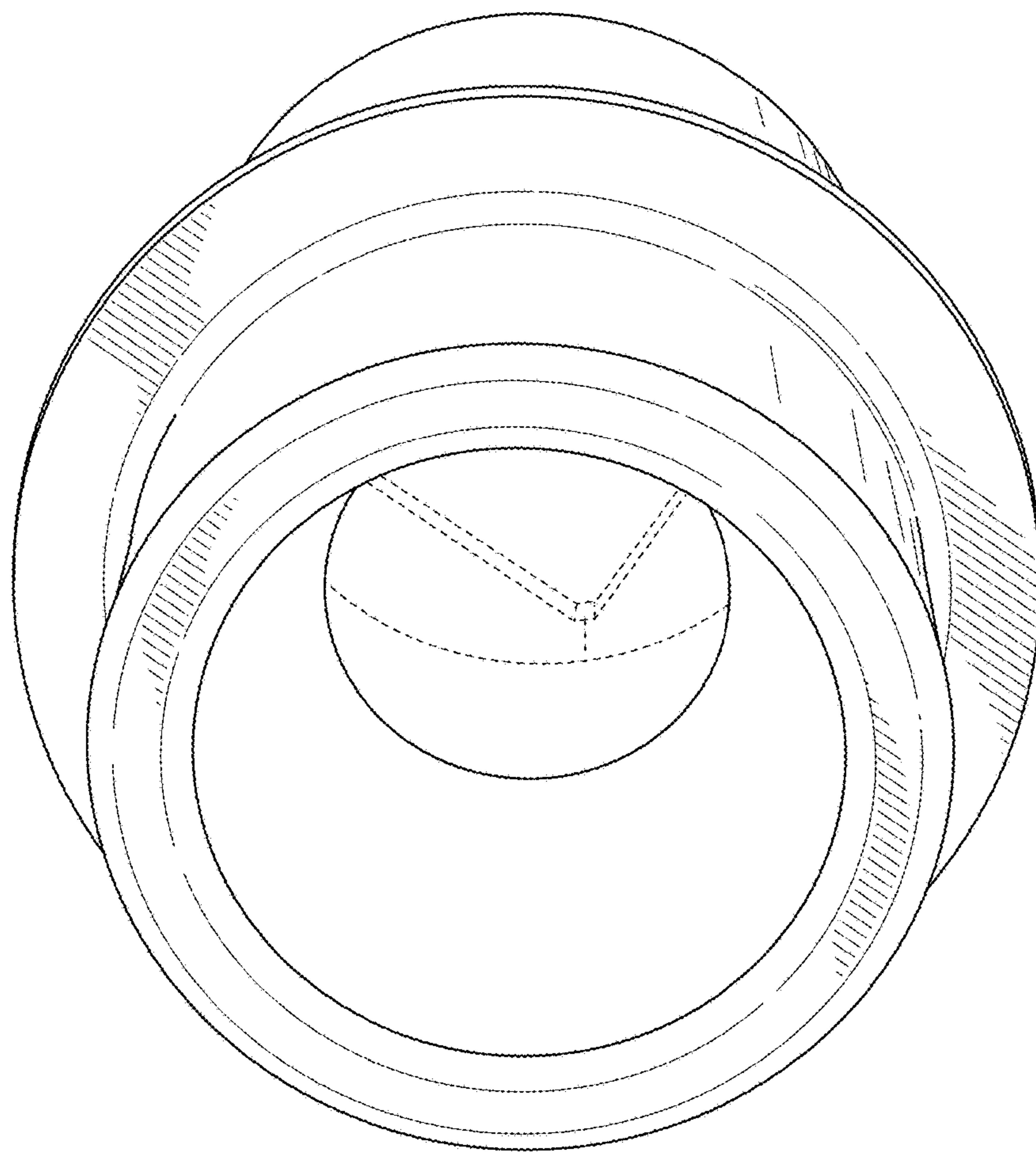


FIG. 13

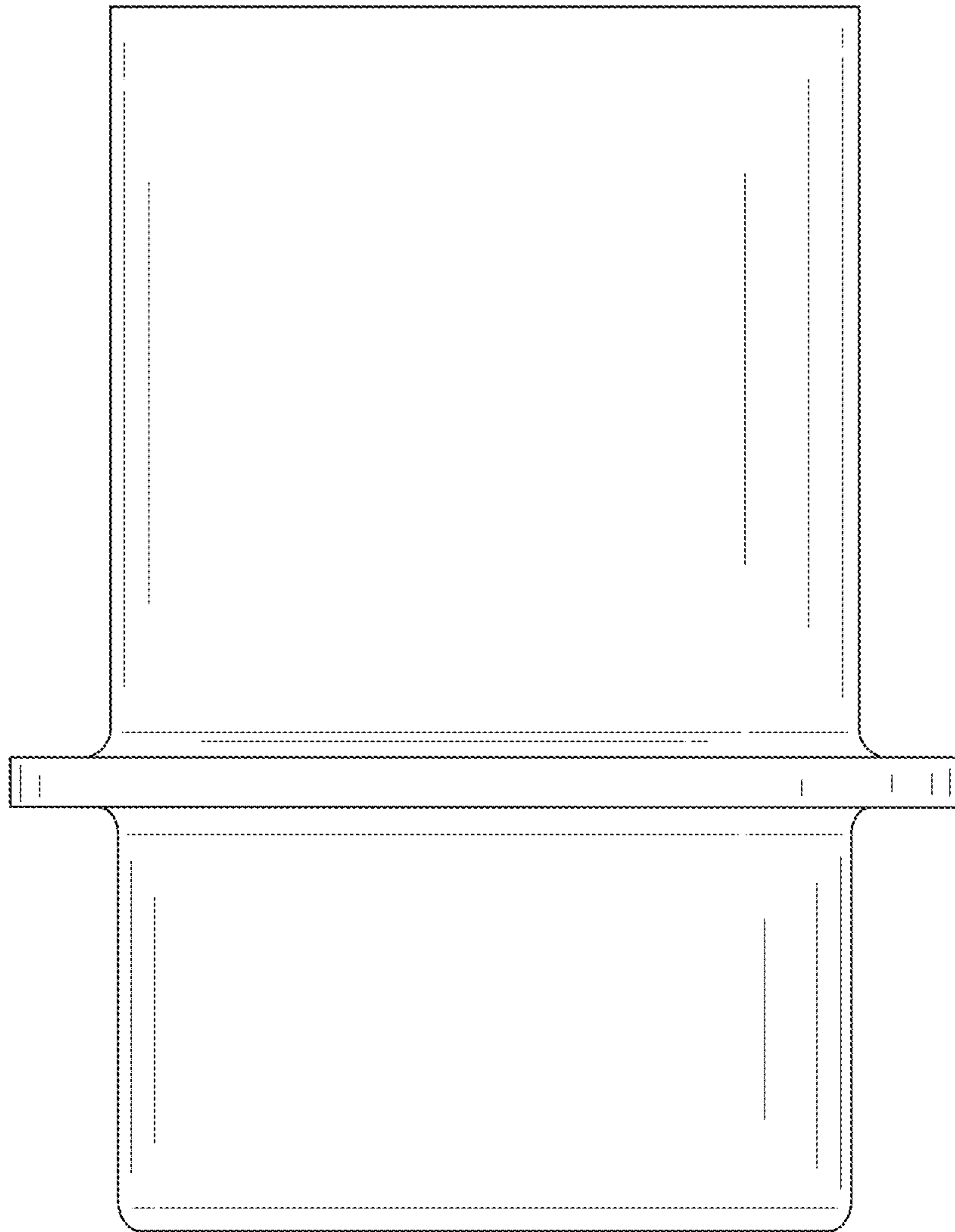


FIG. 14

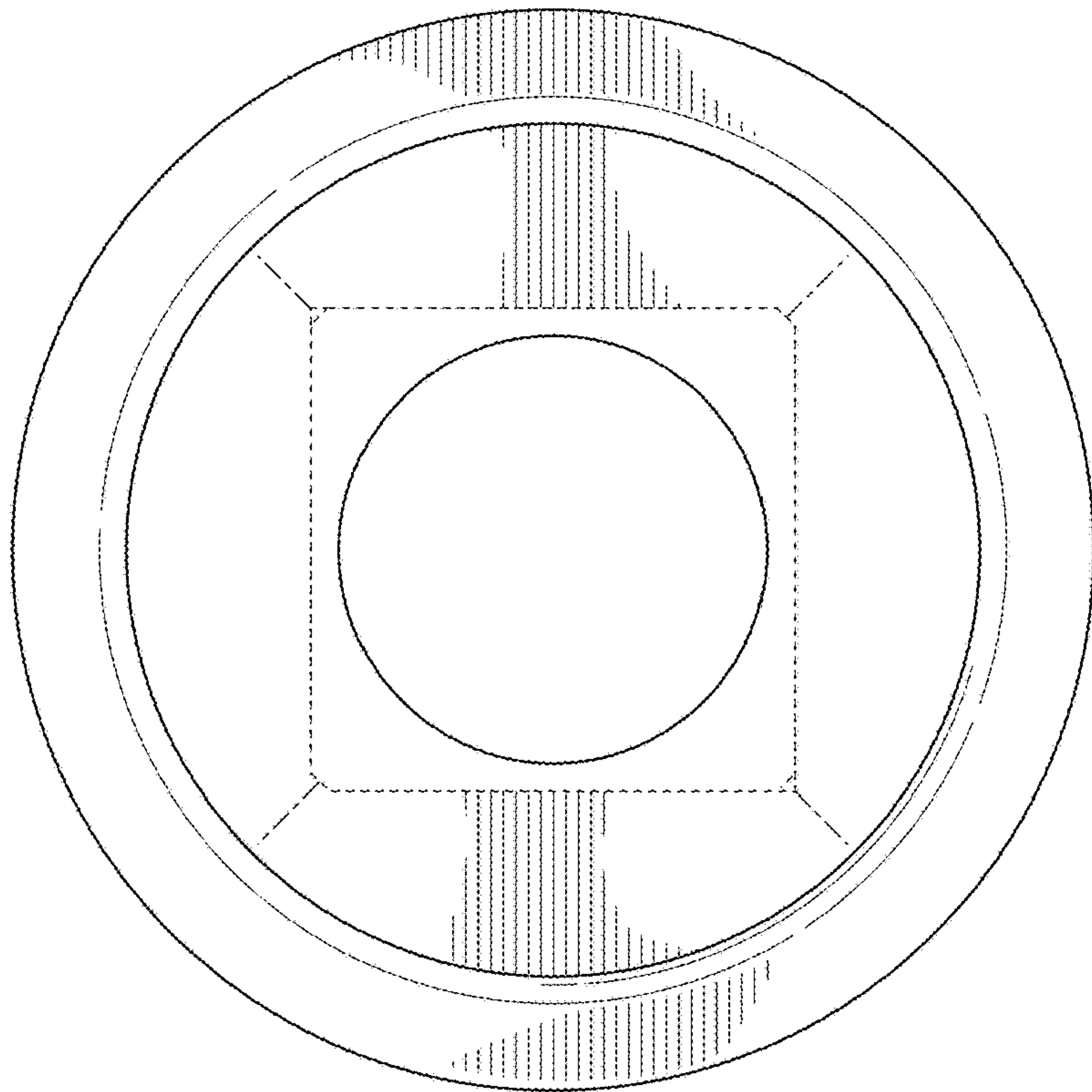


FIG. 15

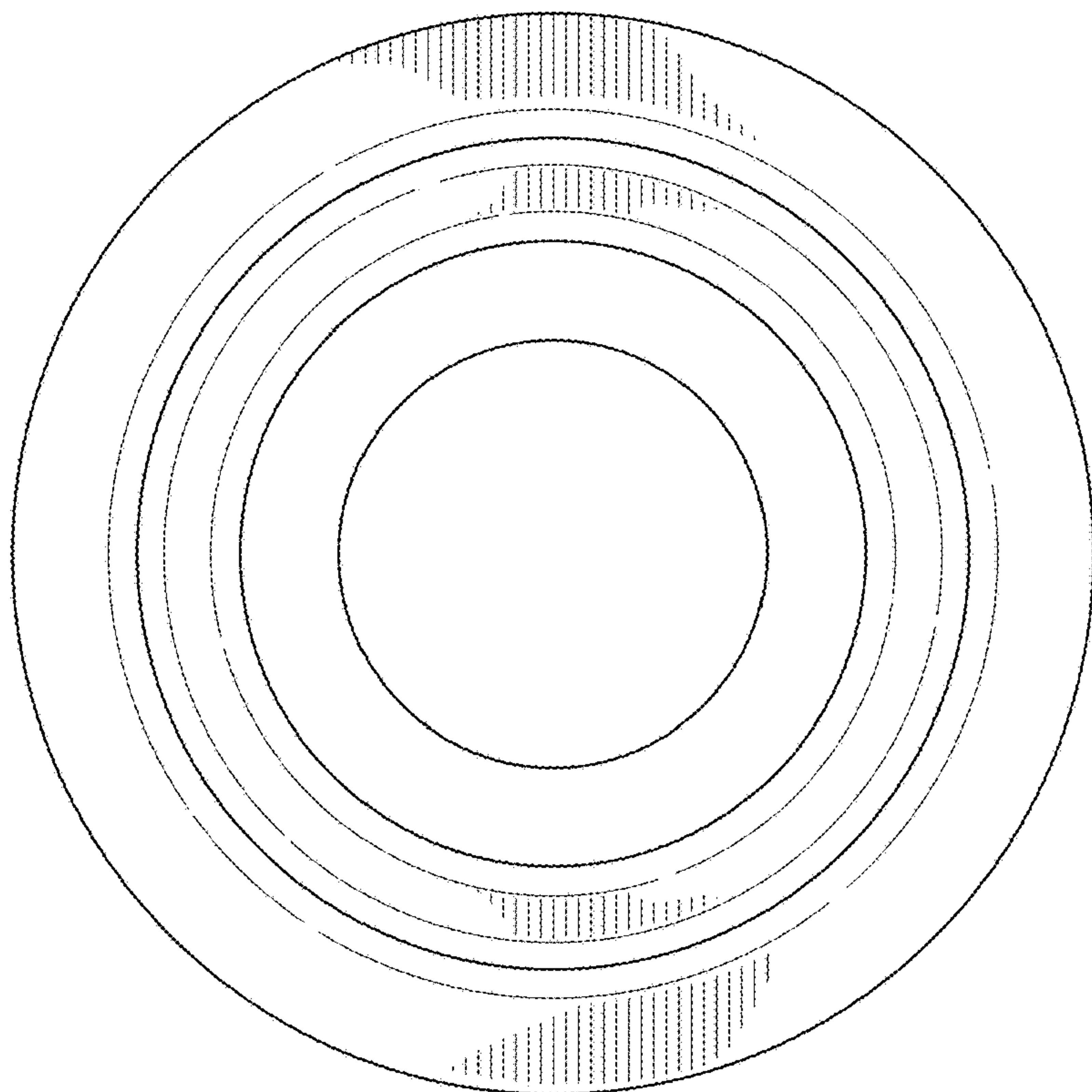


FIG. 16

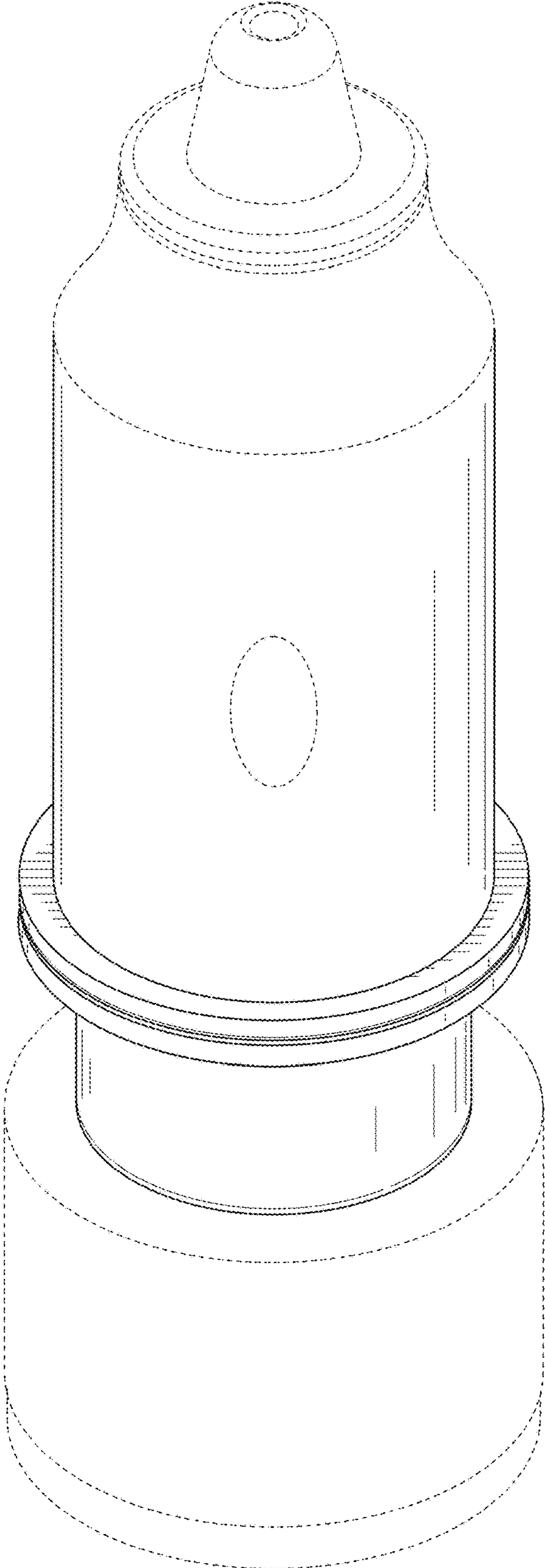


FIG. 17

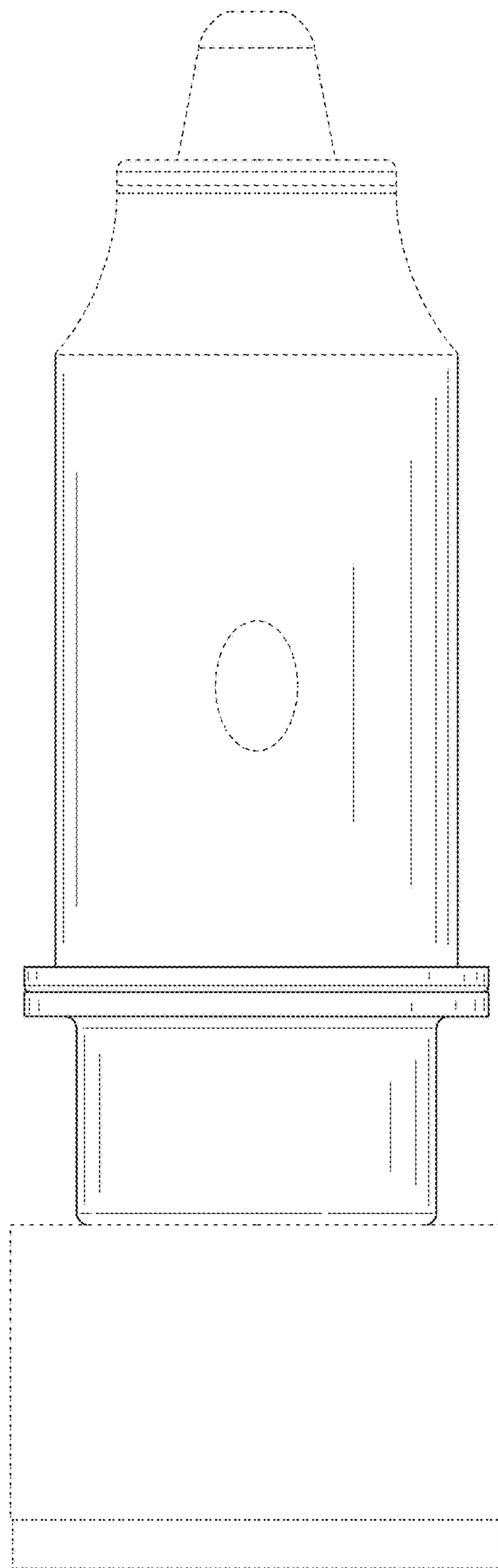


FIG. 18

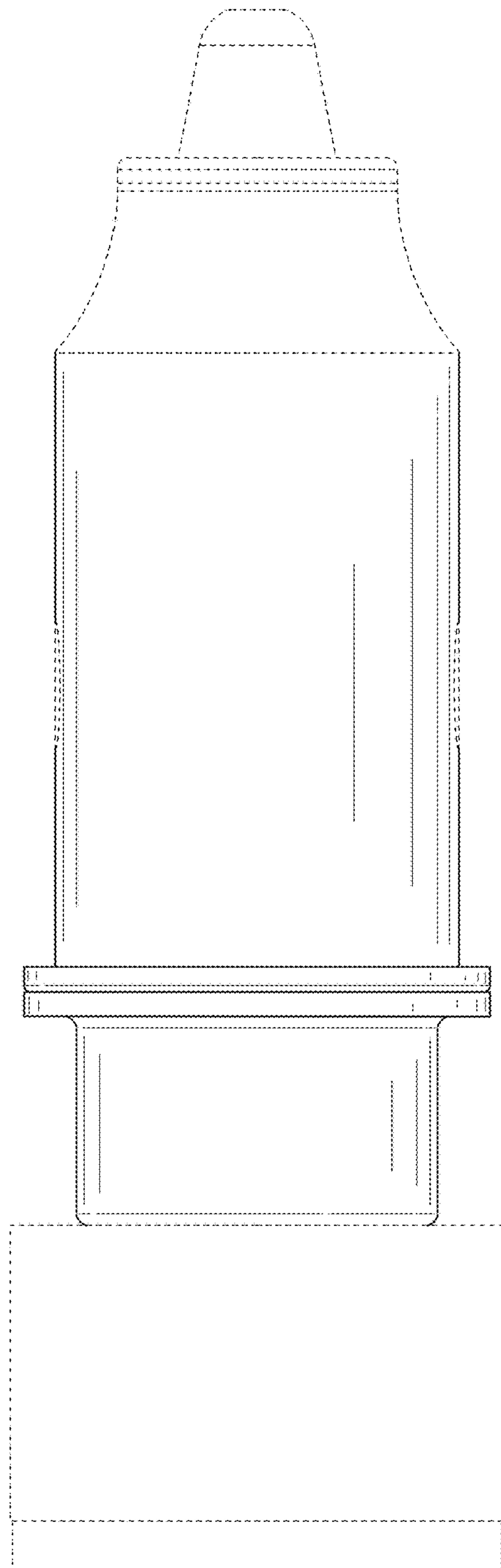


FIG. 19

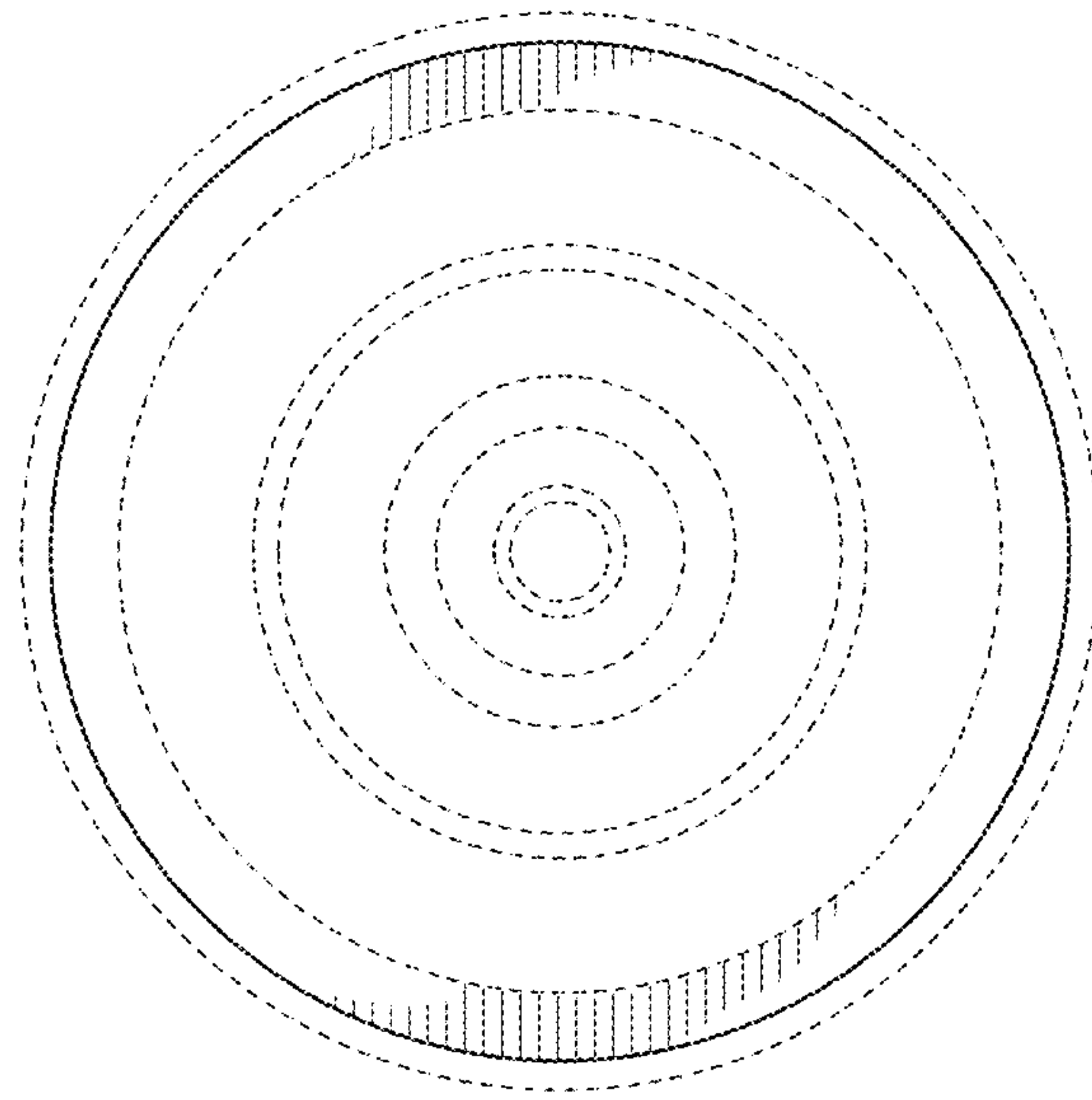


FIG. 20

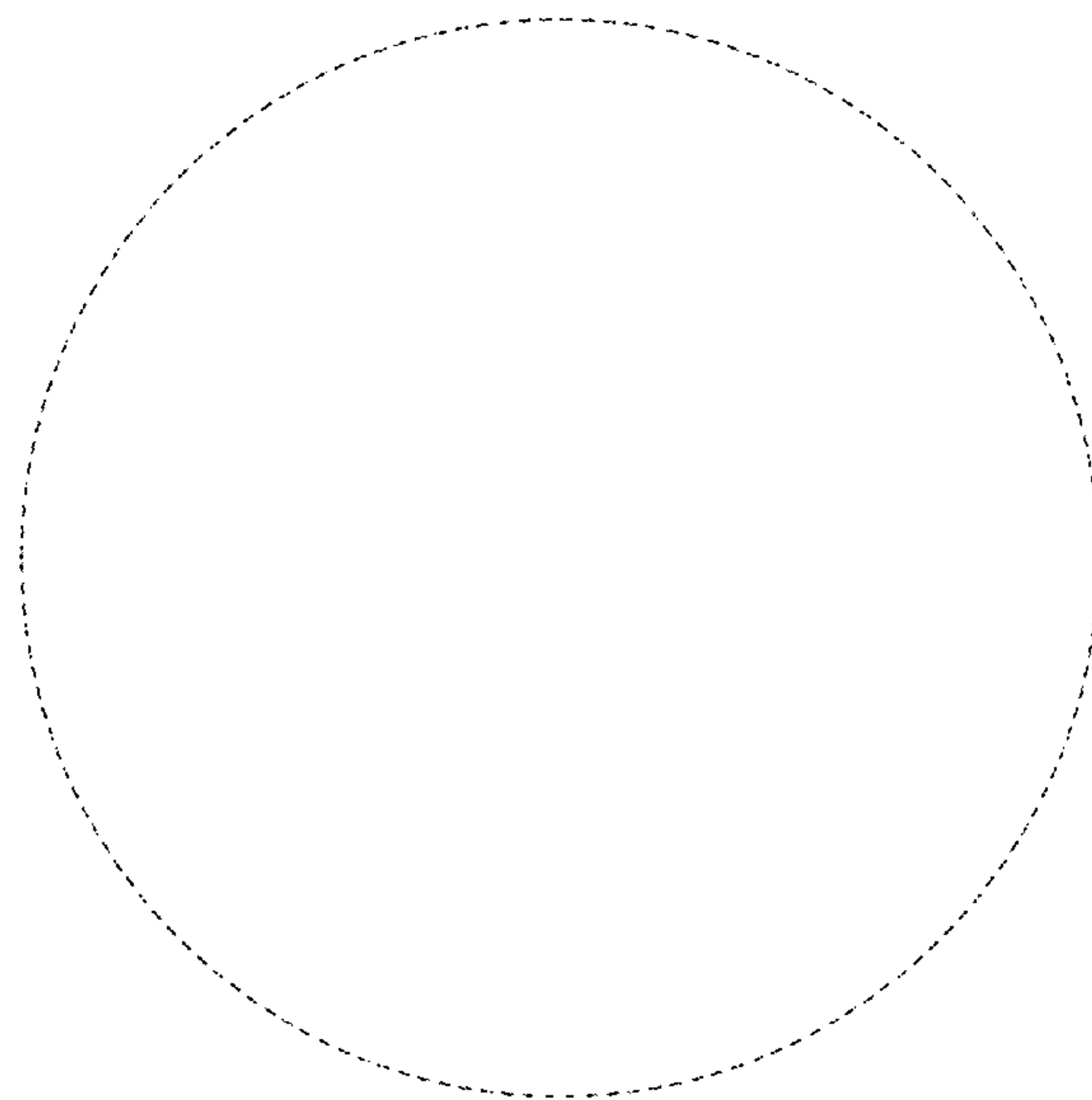


FIG. 21

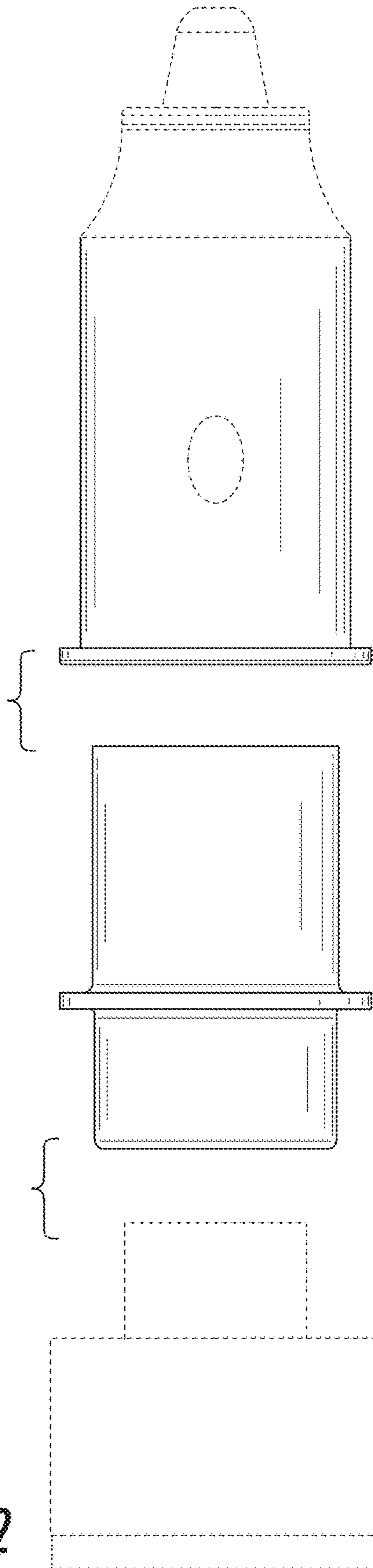


FIG. 22

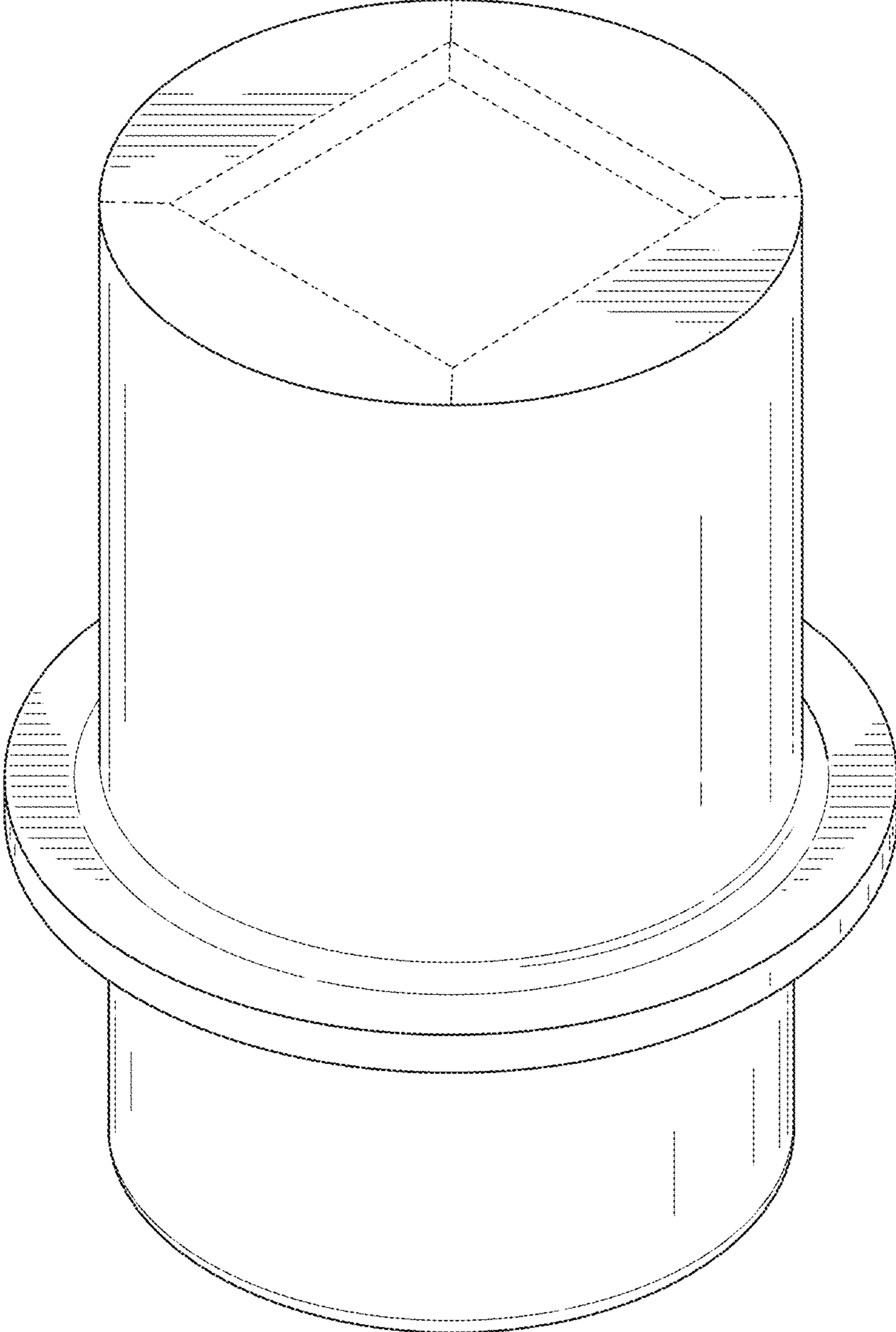


FIG. 23

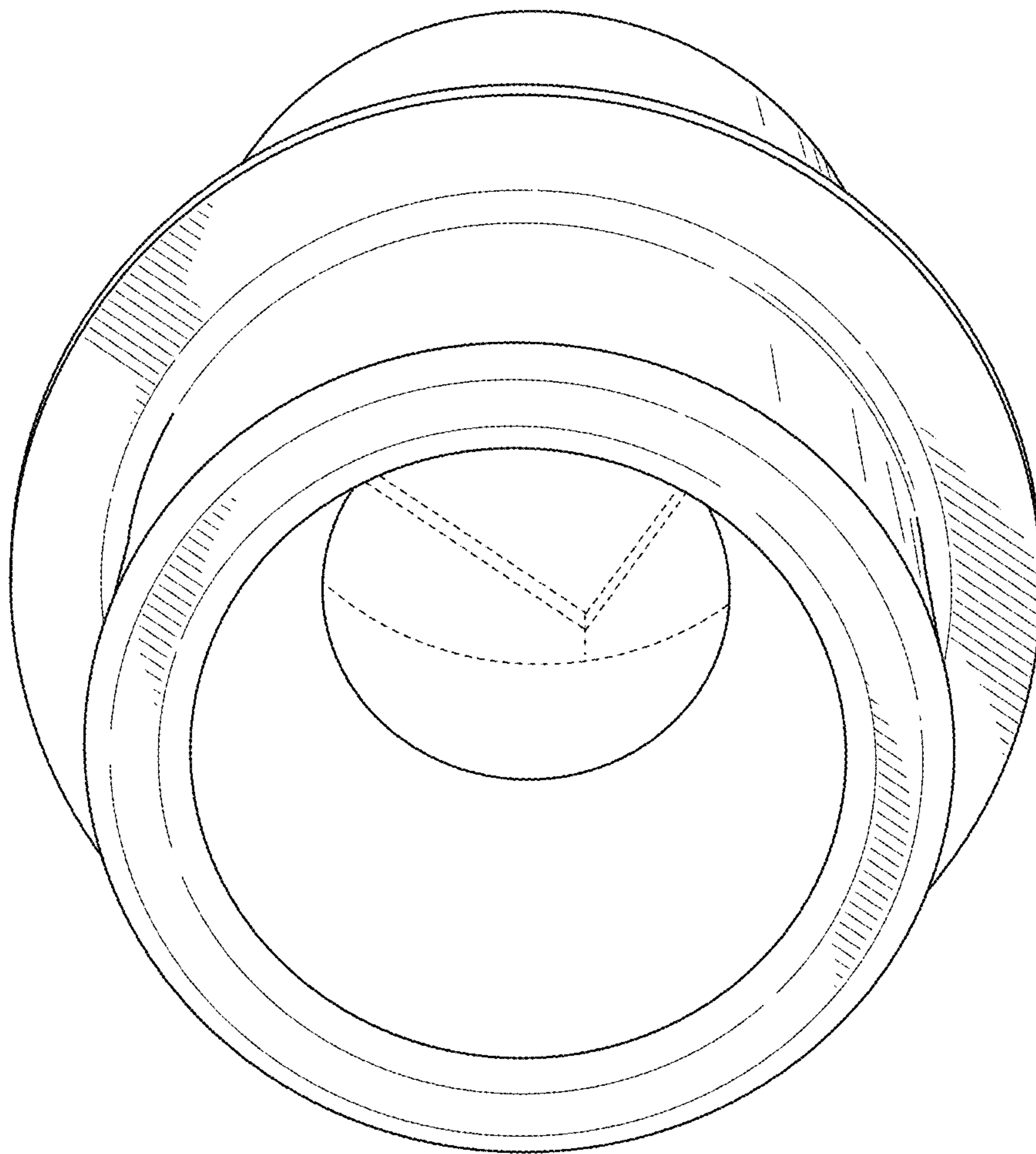


FIG. 24

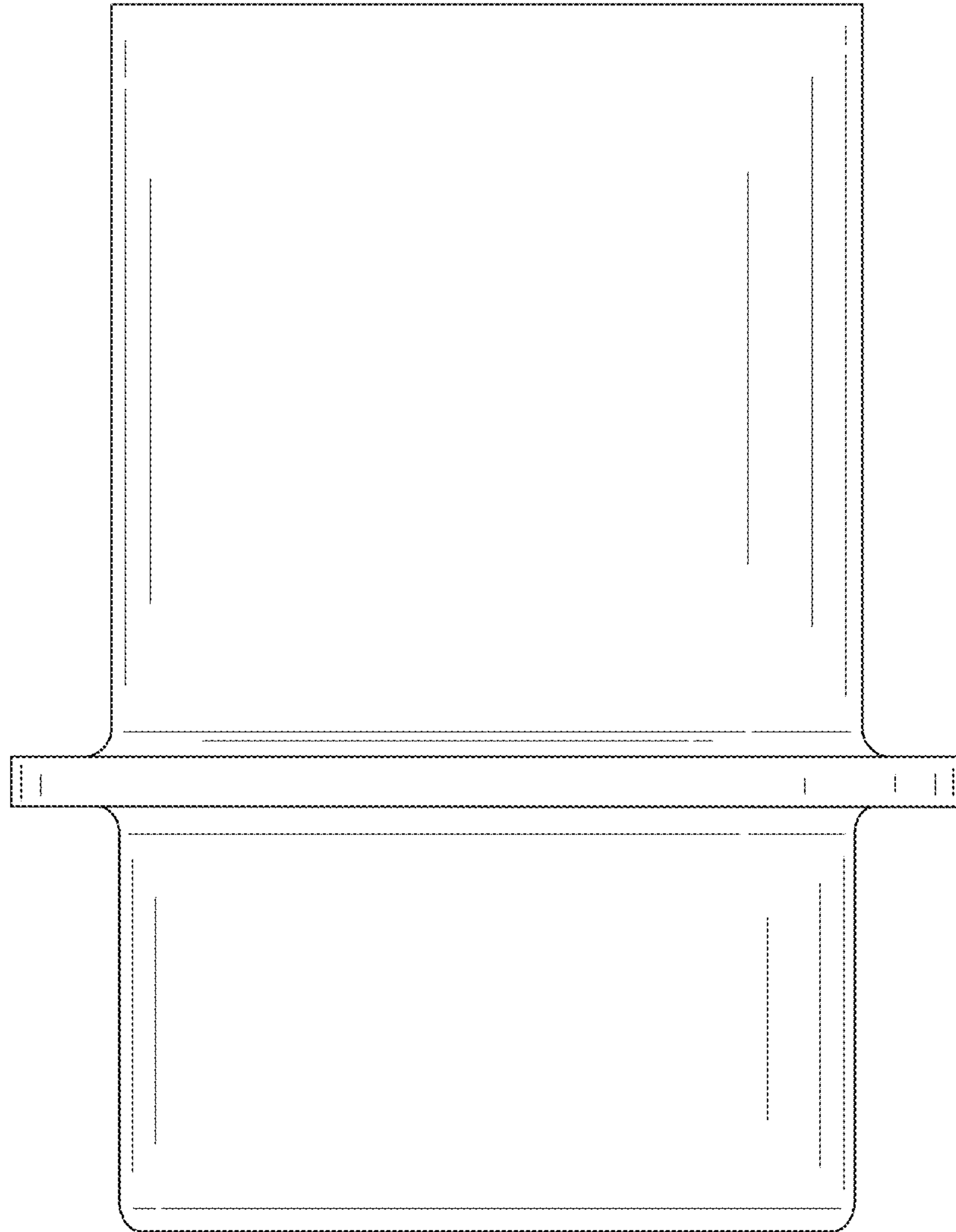


FIG. 25

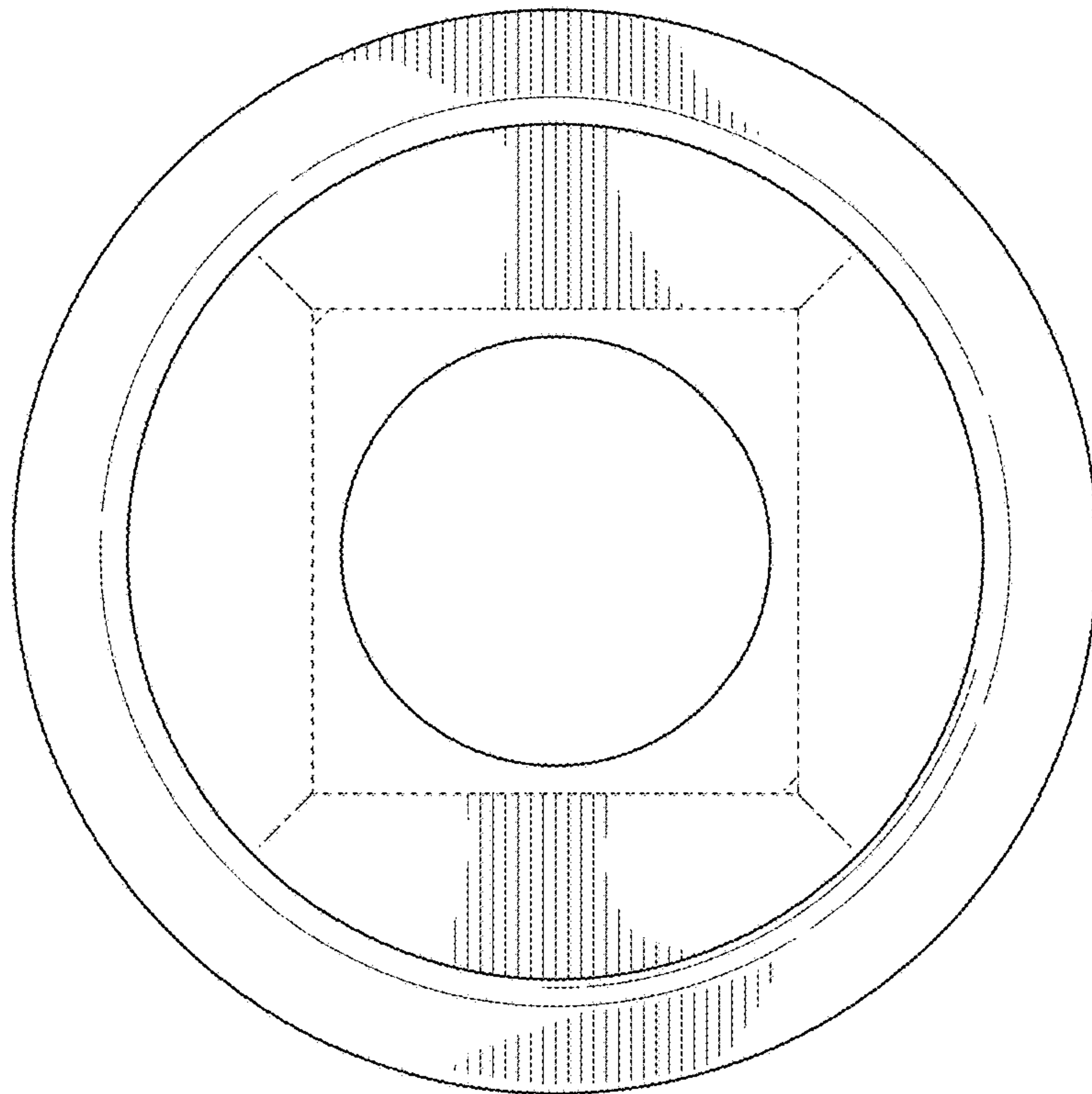


FIG. 26

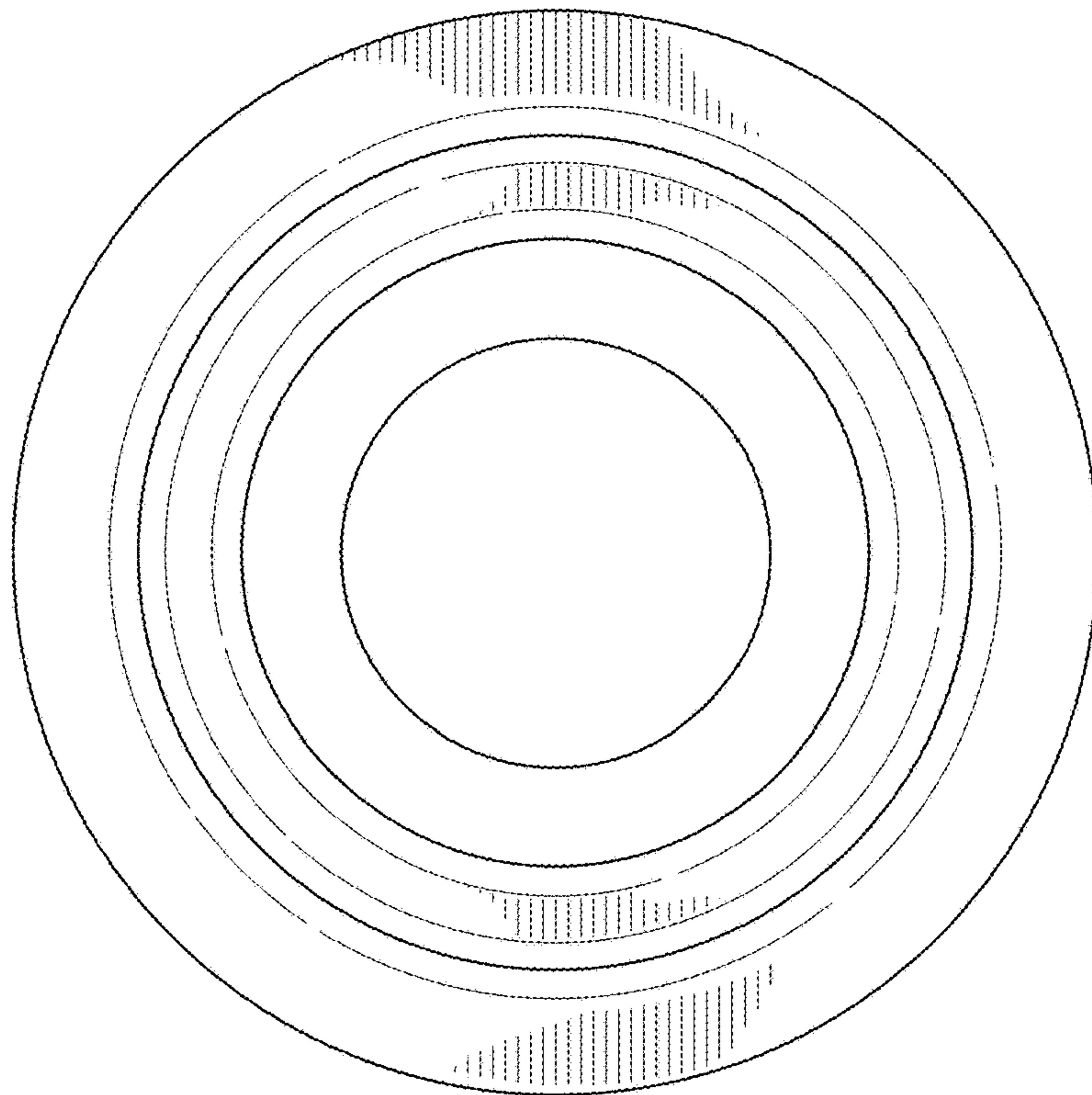


FIG. 27

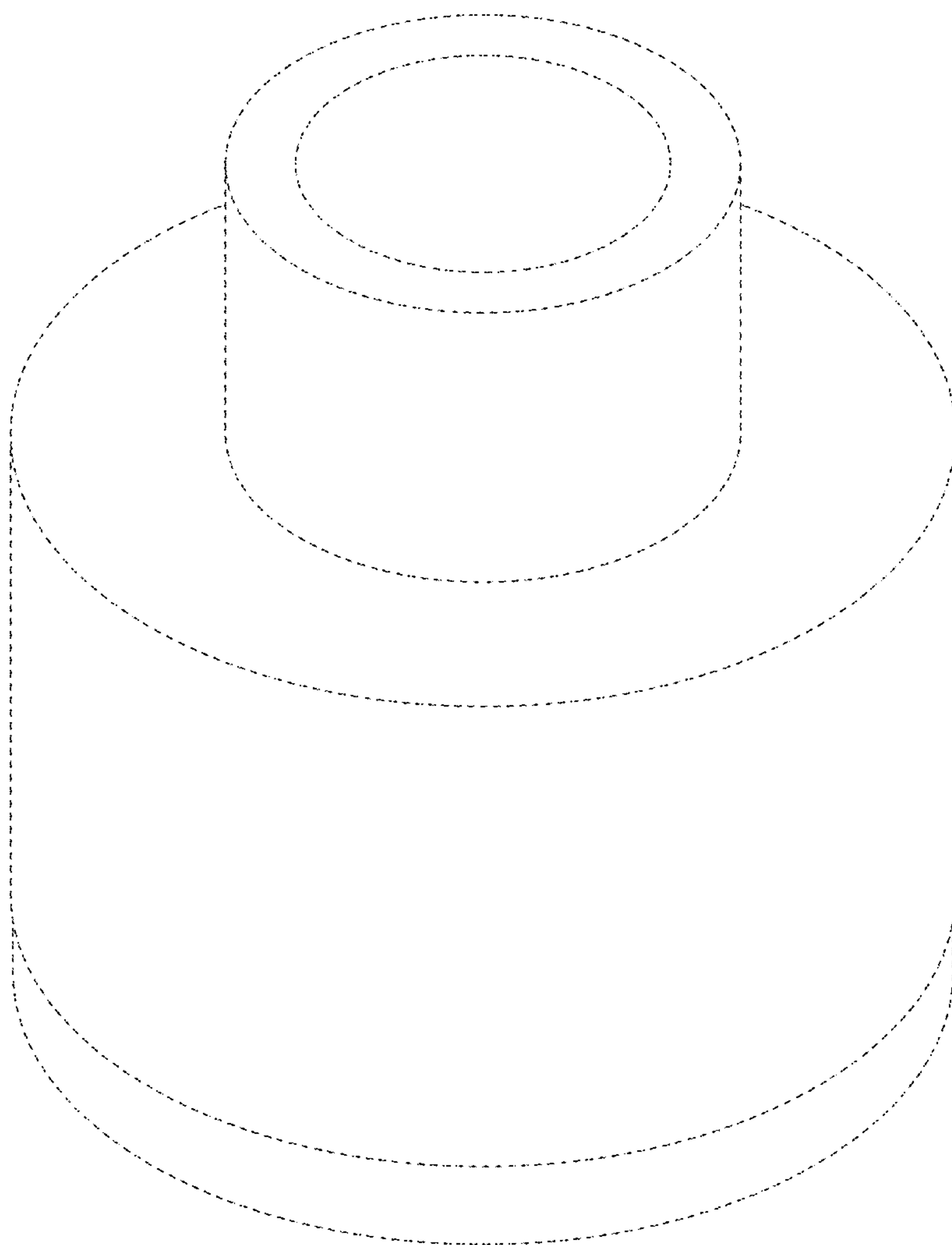


FIG. 28

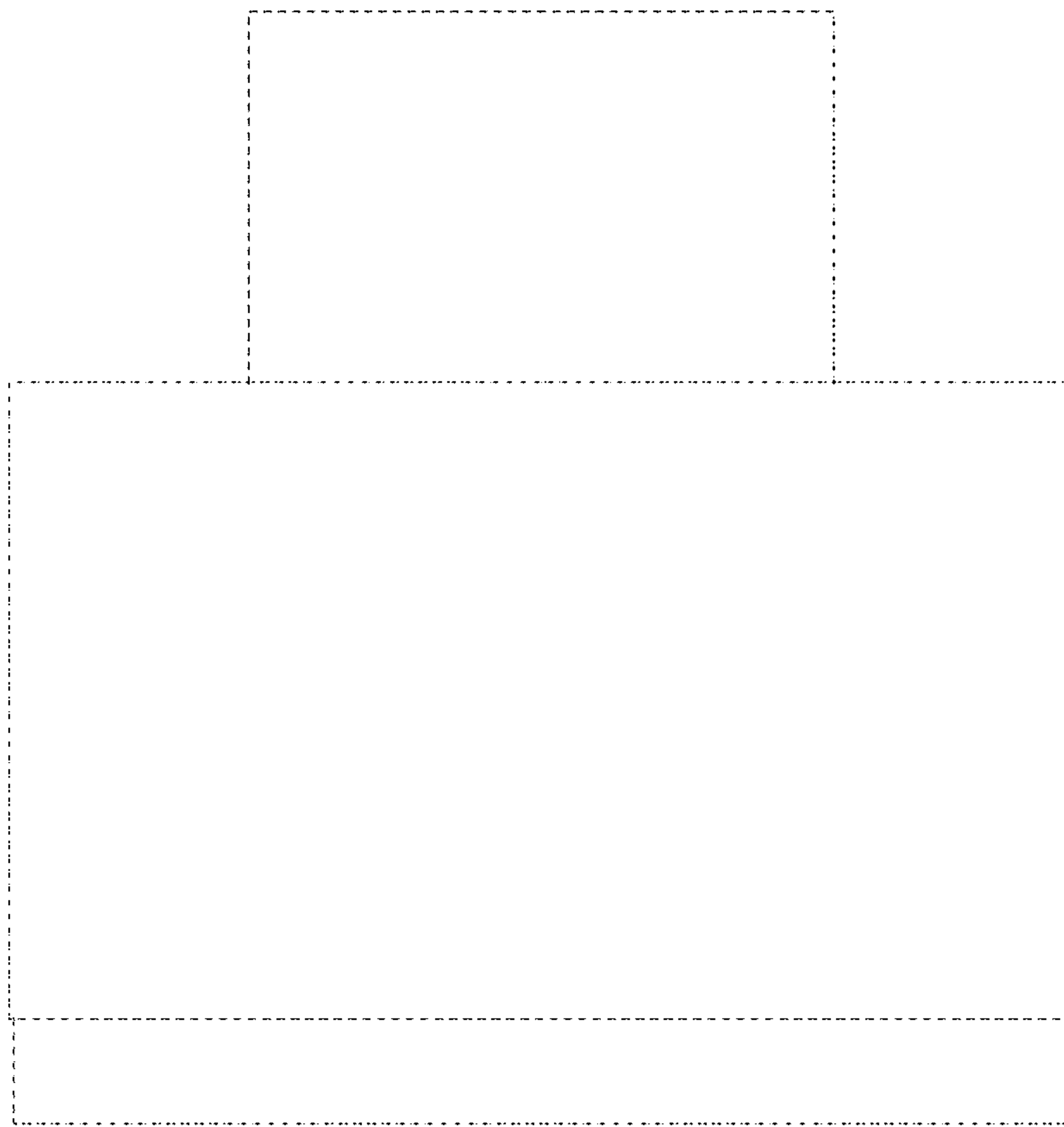


FIG. 29

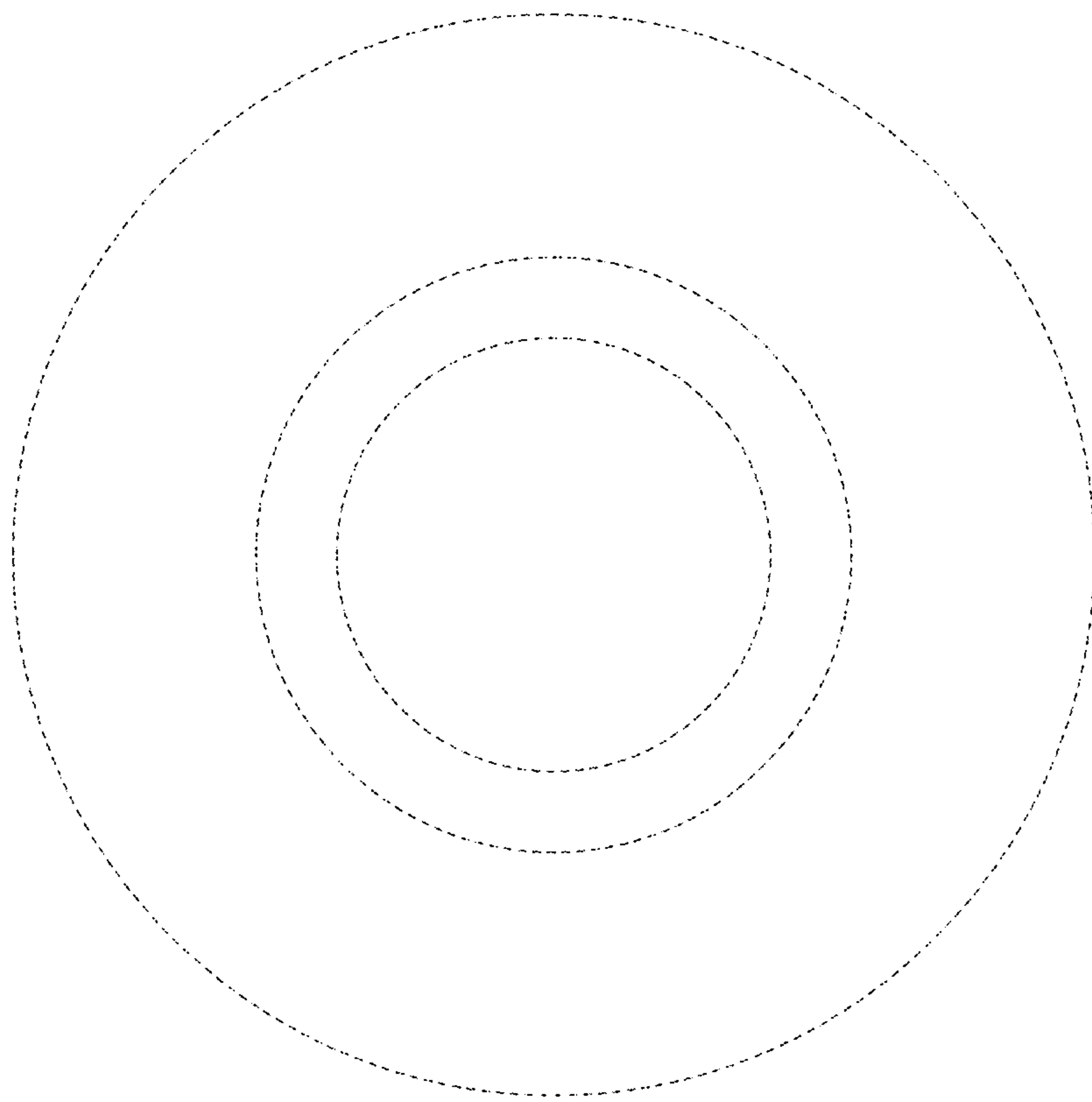


FIG. 30