



US00D827808S

(12) **United States Design Patent** (10) **Patent No.:** **US D827,808 S**  
**Xiao** (45) **Date of Patent:** **\*\* Sep. 4, 2018**

(54) **INTUBATE LARYNGEAL MASK**  
 (71) Applicant: **Jinfang Xiao**, Guangzhou (CN)  
 (72) Inventor: **Jinfang Xiao**, Guangzhou (CN)  
 (\*\*) Term: **15 Years**  
 (21) Appl. No.: **29/619,445**  
 (22) Filed: **Sep. 29, 2017**  
 (51) **LOC (11) Cl.** ..... **29-02**  
 (52) **U.S. Cl.**  
 USPC ..... **D24/110; D24/110.5; D24/110.1**  
 (58) **Field of Classification Search**  
 USPC ..... D24/110.1, 110.4, 110.6, 127, 129, 110,  
 D24/110.5  
 CPC ..... A61M 16/0409; A61M 16/04; A61M  
 16/0447; A61M 16/0415; A61M 16/0488;  
 A61M 16/0463; A61M 16/0434; A61M  
 16/0411  
 See application file for complete search history.

(56) **References Cited**

**U.S. PATENT DOCUMENTS**

D339,192 S \* 9/1993 Nicholson ..... D24/110  
 5,477,849 A \* 12/1995 Fry ..... A61M 15/0086  
 128/200.14  
 D394,313 S \* 5/1998 O'Brien ..... D24/110  
 5,848,588 A \* 12/1998 Foley ..... A61M 15/0086  
 128/200.23  
 5,855,202 A \* 1/1999 Andrade ..... A61M 15/0086  
 128/200.14  
 D444,225 S \* 6/2001 Andersson ..... D24/110  
 6,293,279 B1 \* 9/2001 Schmidt ..... A61M 15/0086  
 128/200.18  
 6,557,549 B2 \* 5/2003 Schmidt ..... A61M 15/0086  
 128/200.24

2002/0029779 A1\* 3/2002 Schmidt ..... A61M 15/0086  
 128/205.25  
 2002/0121276 A1\* 9/2002 Genova ..... A61M 15/0086  
 128/200.23  
 2016/0367770 A1\* 12/2016 Matsuda ..... A61M 15/0086

**OTHER PUBLICATIONS**

Chen et al. The Development and Application of Airway Devices in China. The National Center for Biotechnology Information—PubMed Central—HHS Public Access. Date published: 2016. Viewed on internet. <<https://www.ncbi.nlm.nih.gov/pmc/articles/PMC5302876/>> (Year: 2016).\*

\* cited by examiner

*Primary Examiner* — Karen E Kearney  
*Assistant Examiner* — Lilyana Bekic

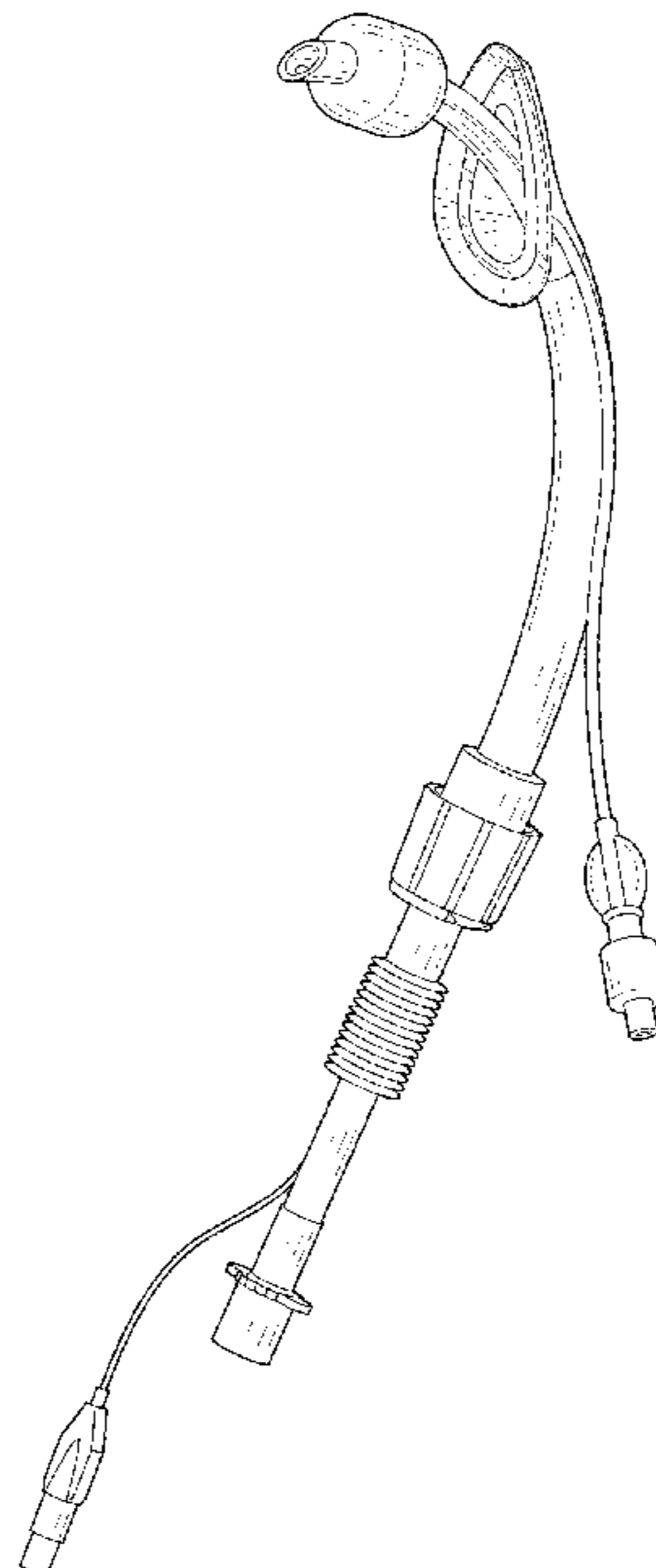
(57) **CLAIM**

The ornamental design for a intubate laryngeal mask, as shown and described.

**DESCRIPTION**

FIG. 1 is a perspective view of an intubate laryngeal mask showing my new design;  
 FIG. 2 is a front elevational view thereof;  
 FIG. 3 is a rear elevational view thereof;  
 FIG. 4 is a left side elevational view thereof;  
 FIG. 5 is a right side elevational view thereof;  
 FIG. 6 is a top plan view thereof; and,  
 FIG. 7 is a bottom plan view thereof.

**1 Claim, 6 Drawing Sheets**



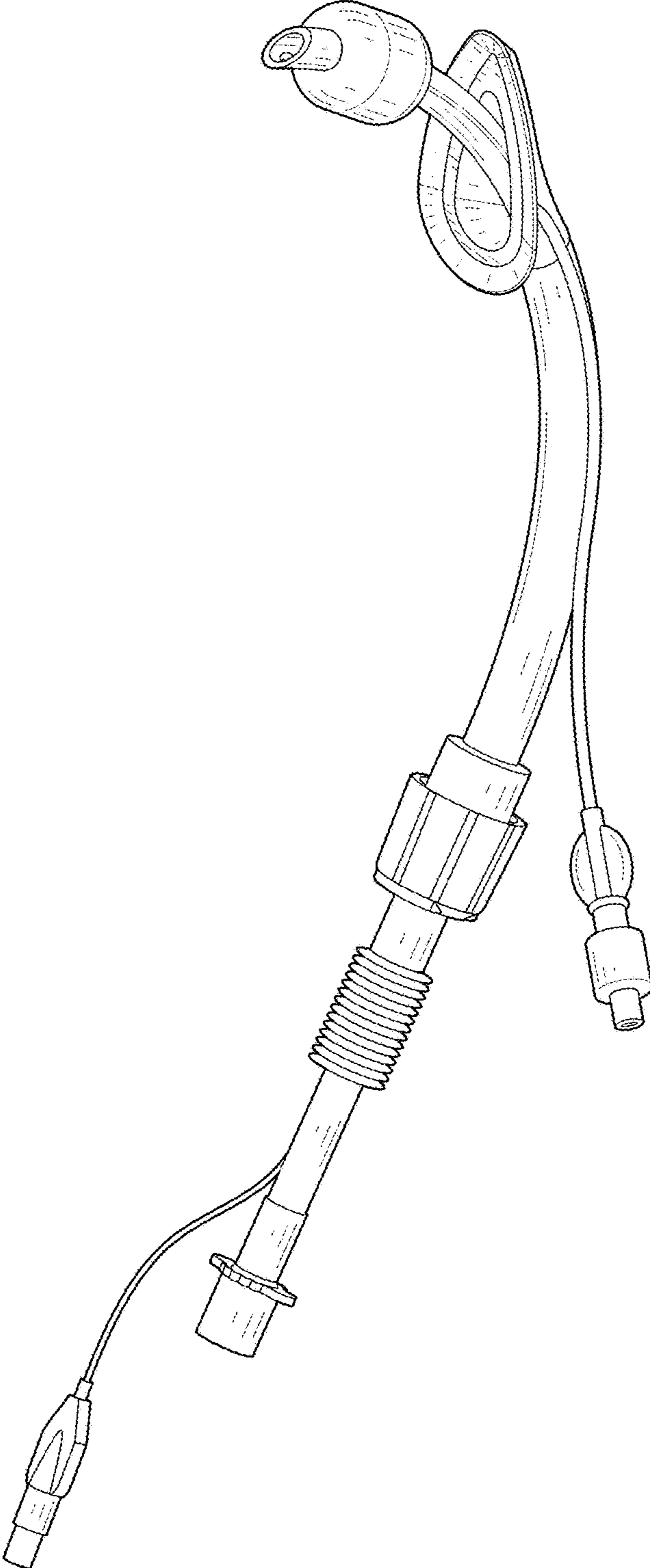


FIG. 1

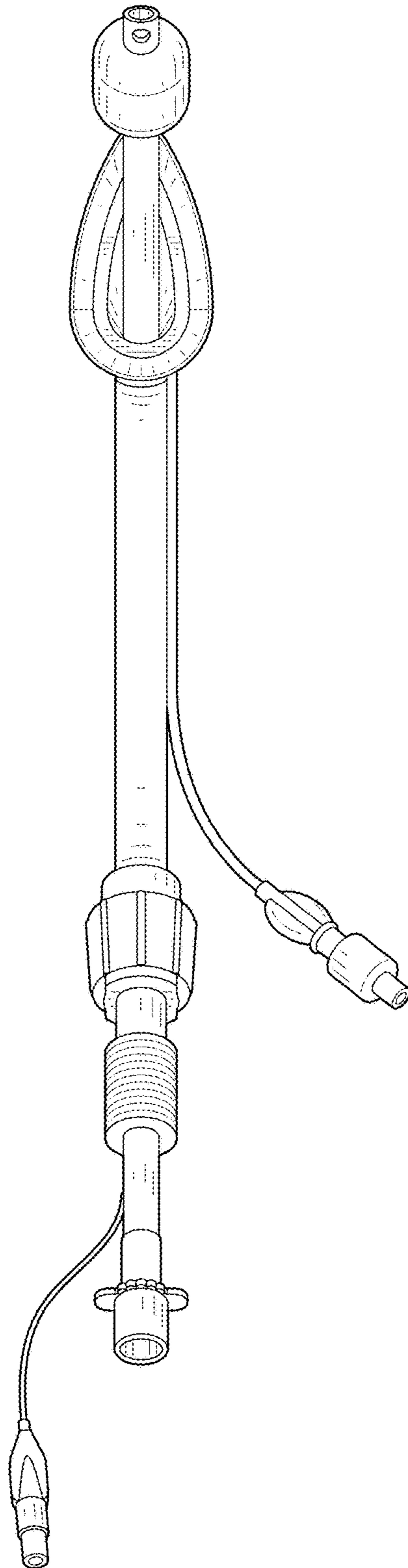


FIG. 2

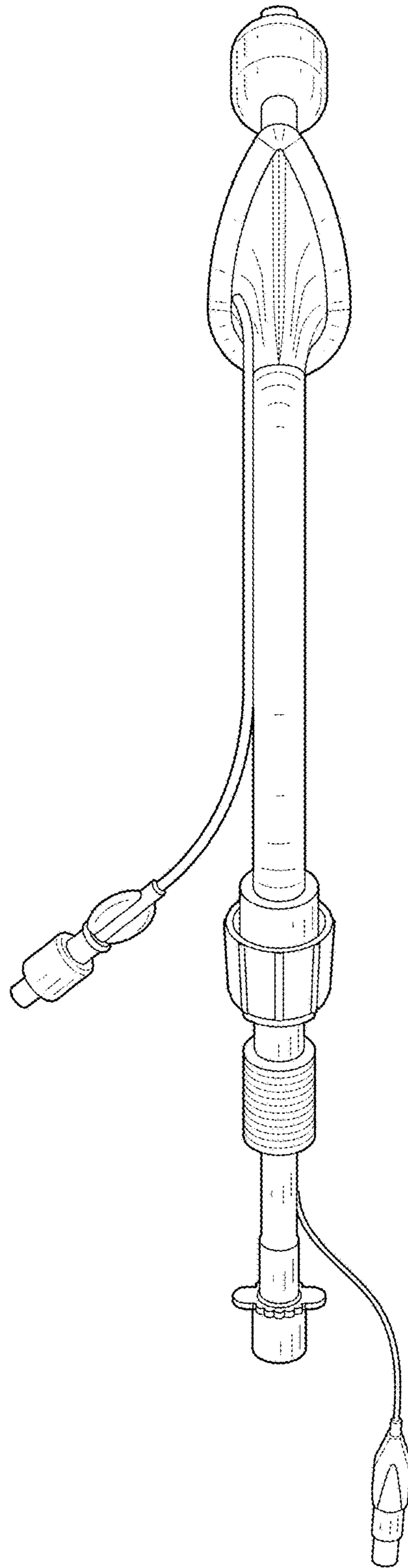


FIG. 3

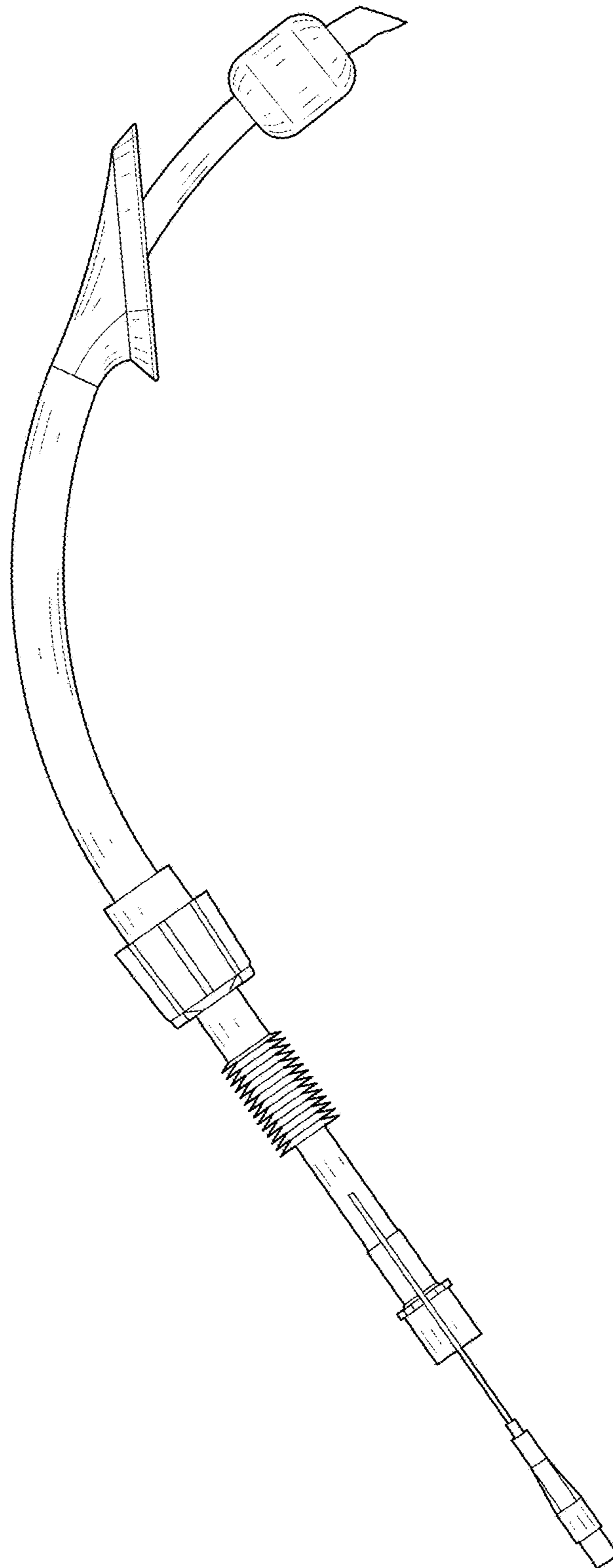


FIG. 4

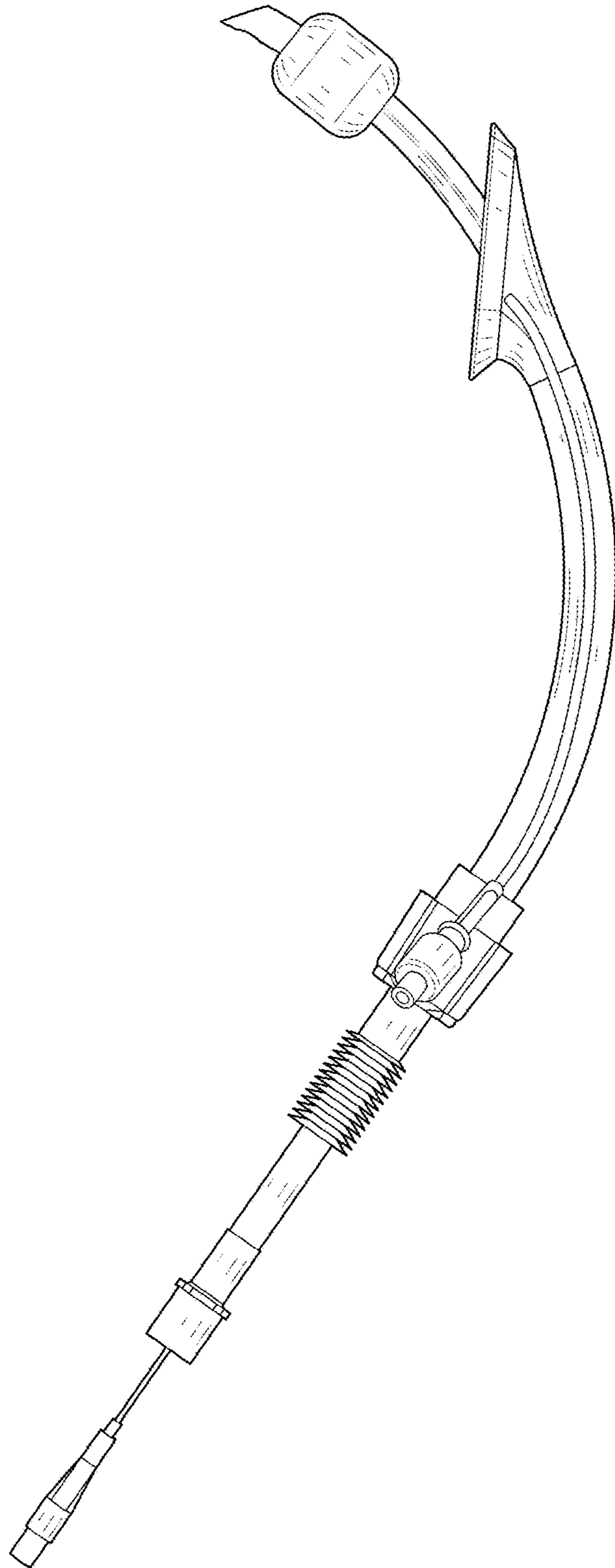


FIG. 5

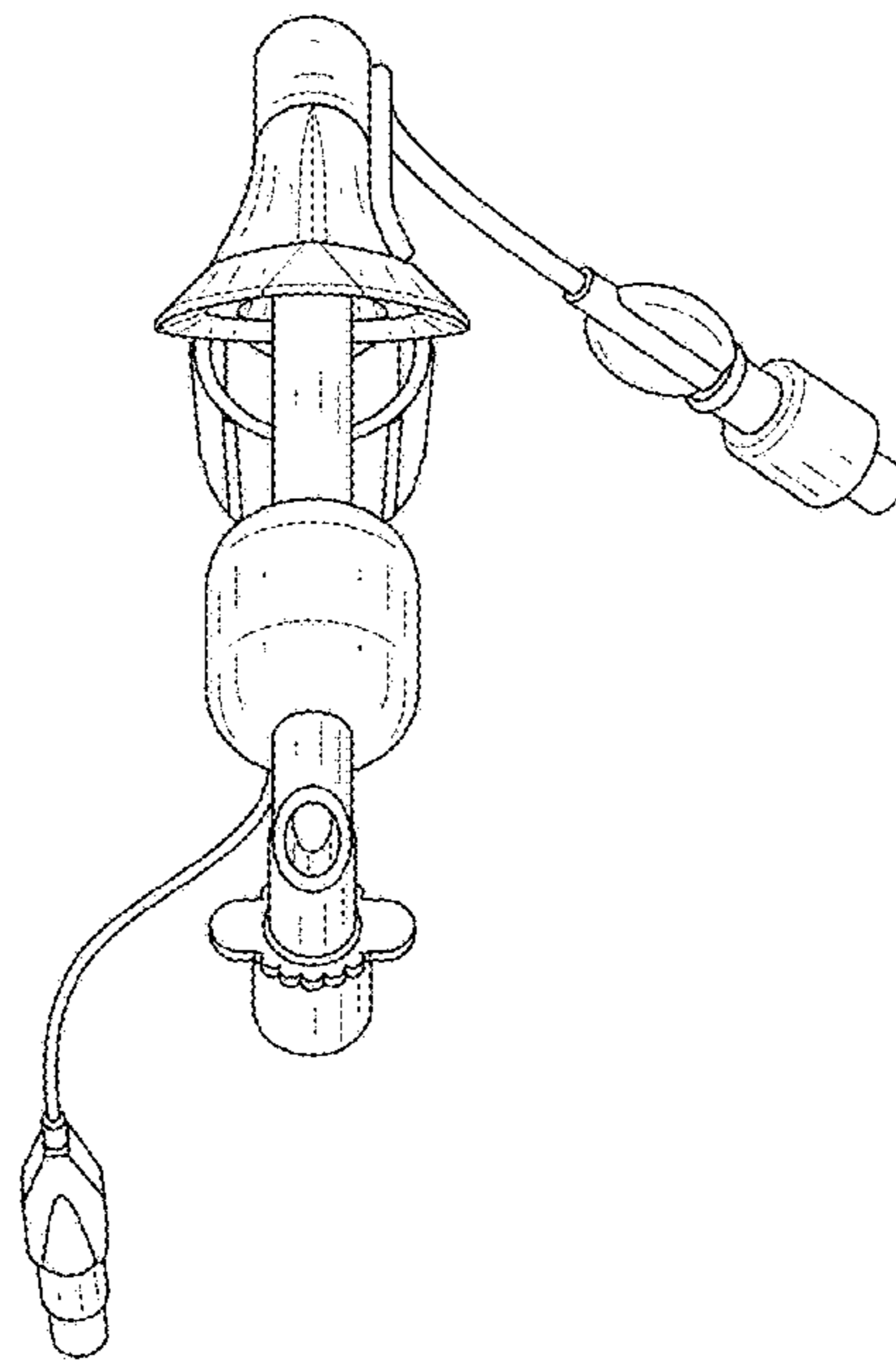


FIG. 6

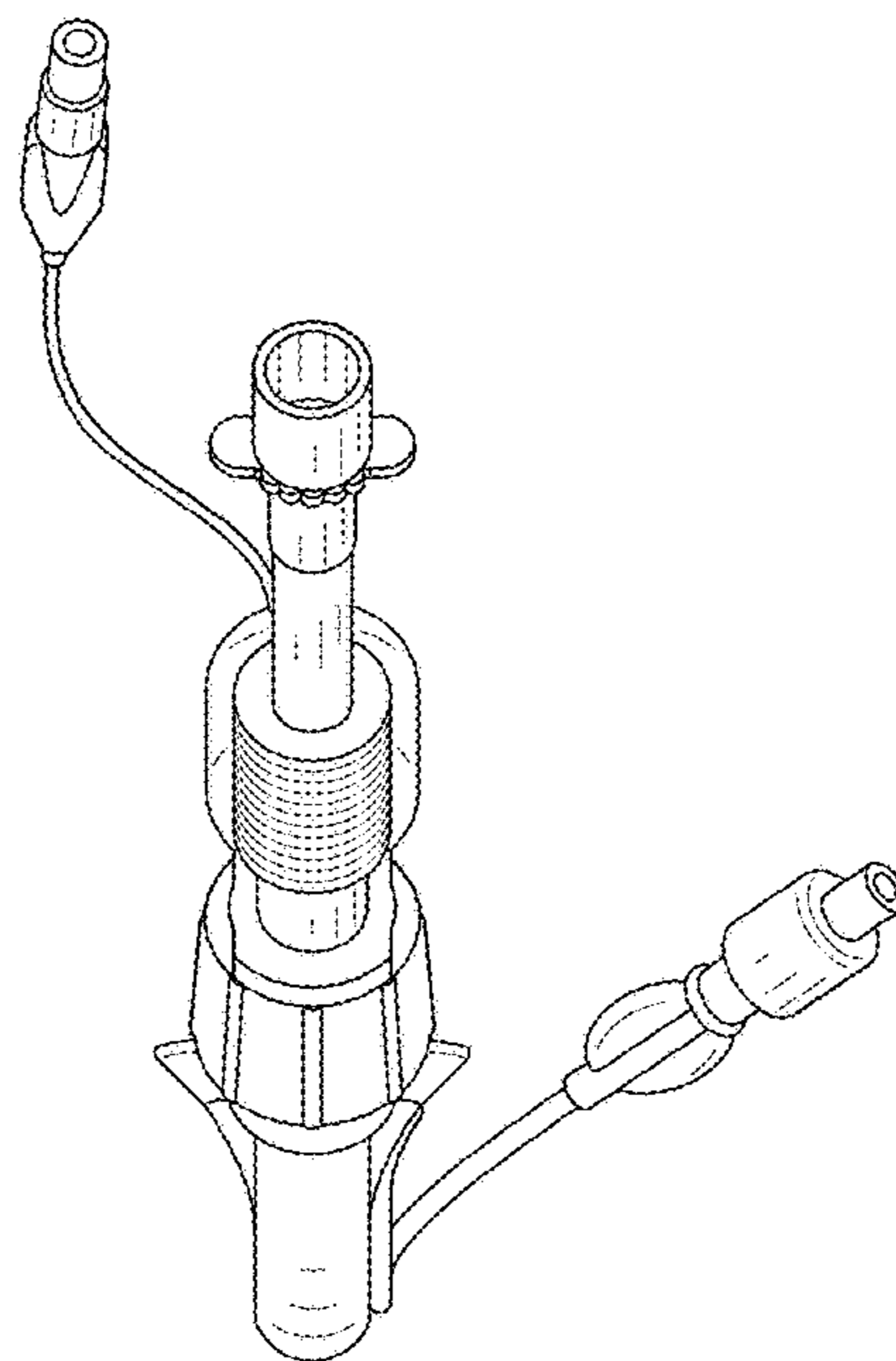


FIG. 7