



US00D827807S

(12) **United States Design Patent** (10) **Patent No.:** **US D827,807 S**  
**Ng et al.** (45) **Date of Patent:** **\*\* Sep. 4, 2018**

(54) **FILTER OF A FILTER ASSEMBLY FOR VENTILATOR**

(71) Applicant: **ResMed Paris SAS**, Moissy Cramayel (FR)

(72) Inventors: **Eva Ng**, Sydney (AU); **Benjamin John Leavens**, Sydney (AU); **Kenneth Taylor**, Sydney (AU); **Jonathan Huw Thomas**, Sydney (AU)

(73) Assignee: **ResMed Paris SAS**, Moissy Cramayel (FR)

(\*\*) Term: **15 Years**

(21) Appl. No.: **29/556,783**

(22) Filed: **Mar. 3, 2016**

**Related U.S. Application Data**

(62) Division of application No. 29/491,216, filed on May 19, 2014, now Pat. No. Des. 760,375, which is a division of application No. 29/398,887, filed on Aug. 5, 2011, now Pat. No. Des. 708,733.

(51) **LOC (11) Cl.** ..... **24-01**

(52) **U.S. Cl.**  
USPC ..... **D24/110**

(58) **Field of Classification Search**

USPC ..... D24/110, 127, 162, 164  
CPC ..... A61M 16/105; A61M 16/1055; A61M 16/106; A61M 16/1065; A61M 16/107; A61M 2205/75; A61M 2205/7509; A61M 2205/7518; B01D 46/0012; B01D 46/24  
See application file for complete search history.

(56) **References Cited**

**U.S. PATENT DOCUMENTS**

D241,984 S \* 10/1976 Lahay ..... D24/112  
4,063,913 A \* 12/1977 Kippel ..... A61M 16/1055  
128/205.29

4,172,709 A 10/1979 Kippel et al.  
D360,029 S \* 7/1995 Yoshikawa ..... D23/365  
D420,118 S 2/2000 Radko et al.  
6,261,333 B1 7/2001 Dickson  
D459,477 S 6/2002 Stocks et al.  
D467,335 S 12/2002 Lithgow et al.  
6,619,287 B2 9/2003 Blackhurst et al.  
D546,950 S 7/2007 Orth  
D708,733 S 7/2014 Ng et al.  
9,010,321 B2 4/2015 Stenzler et al.  
D764,864 S \* 8/2016 Hertaus ..... D7/400  
D773,655 S \* 12/2016 Hofstetter ..... D24/127  
2006/0213518 A1 9/2006 DeVries et al.  
2007/0215155 A1 9/2007 Marx et al.

**OTHER PUBLICATIONS**

Ng et al., U.S. Appl. No. 29/491,216, filed May 19, 2014.

\* cited by examiner

*Primary Examiner* — Richelle G Shelton

(74) *Attorney, Agent, or Firm* — Nixon & Vanderhye P.C.

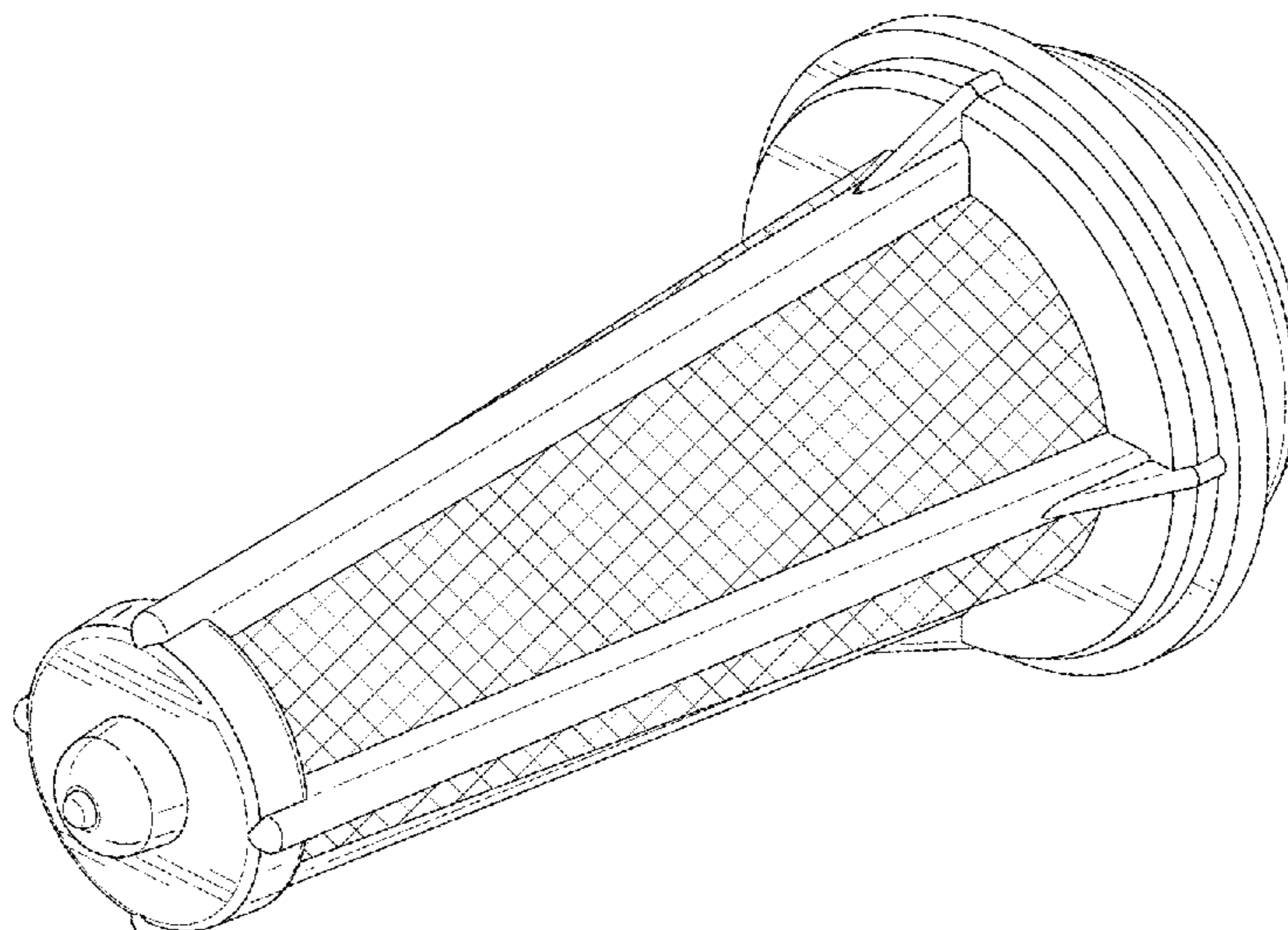
(57) **CLAIM**

The ornamental design for a filter of a filter assembly for ventilator, as shown and described.

**DESCRIPTION**

FIG. 1 is a perspective view of a filter of a filter assembly for a ventilator according to an embodiment of our design; FIG. 2 is a front view thereof; FIG. 3 is a rear view thereof; FIG. 4 is a top view thereof; FIG. 5 is a bottom view thereof; FIG. 6 is a left side view thereof; FIG. 7 is a right side view thereof; and, FIG. 8 is another perspective view thereof. In FIG. 2, the broken line showing and all within is included for the purpose of illustrating subject matter excluded from the claimed design.

**1 Claim, 3 Drawing Sheets**



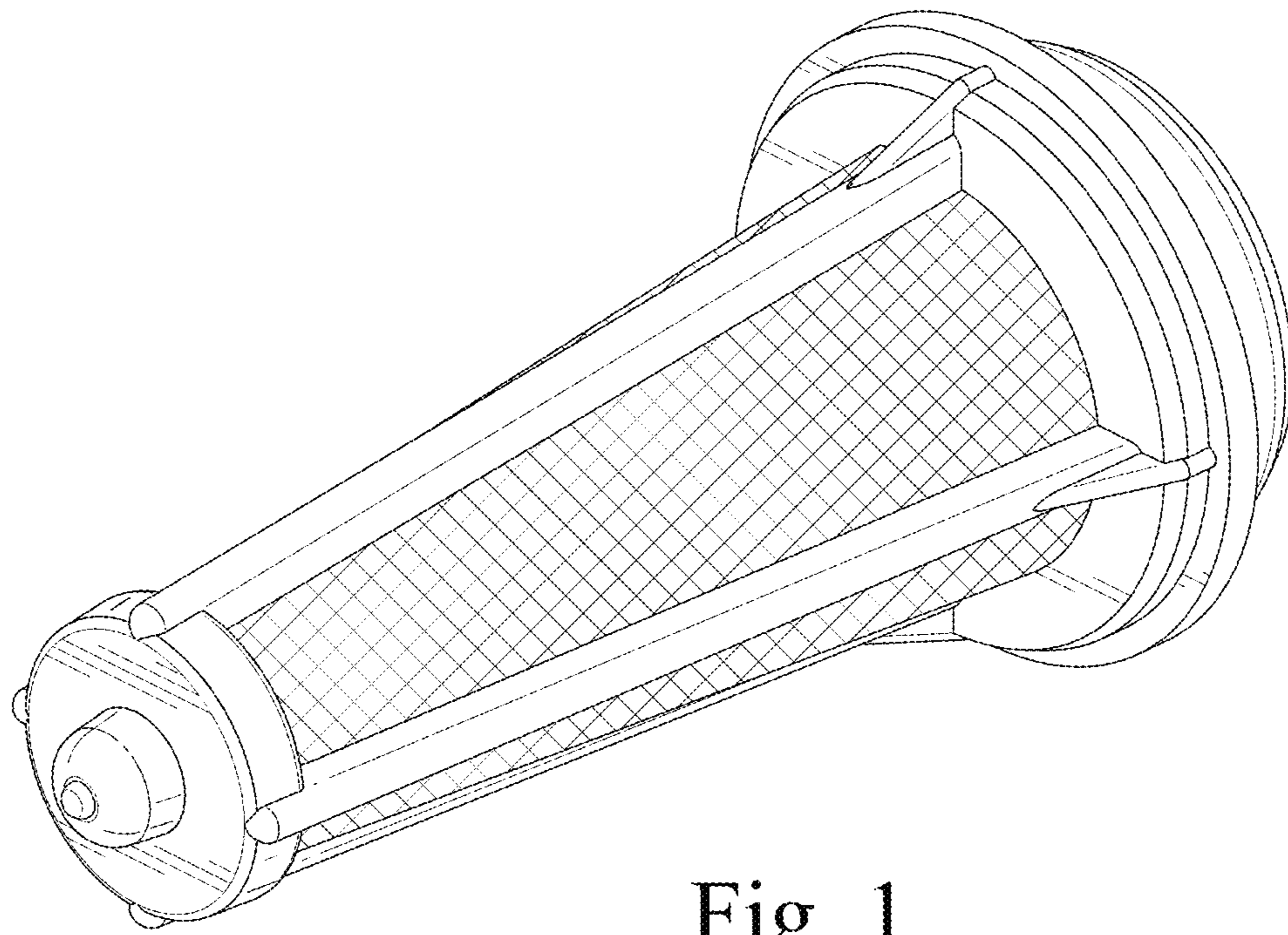


Fig. 1

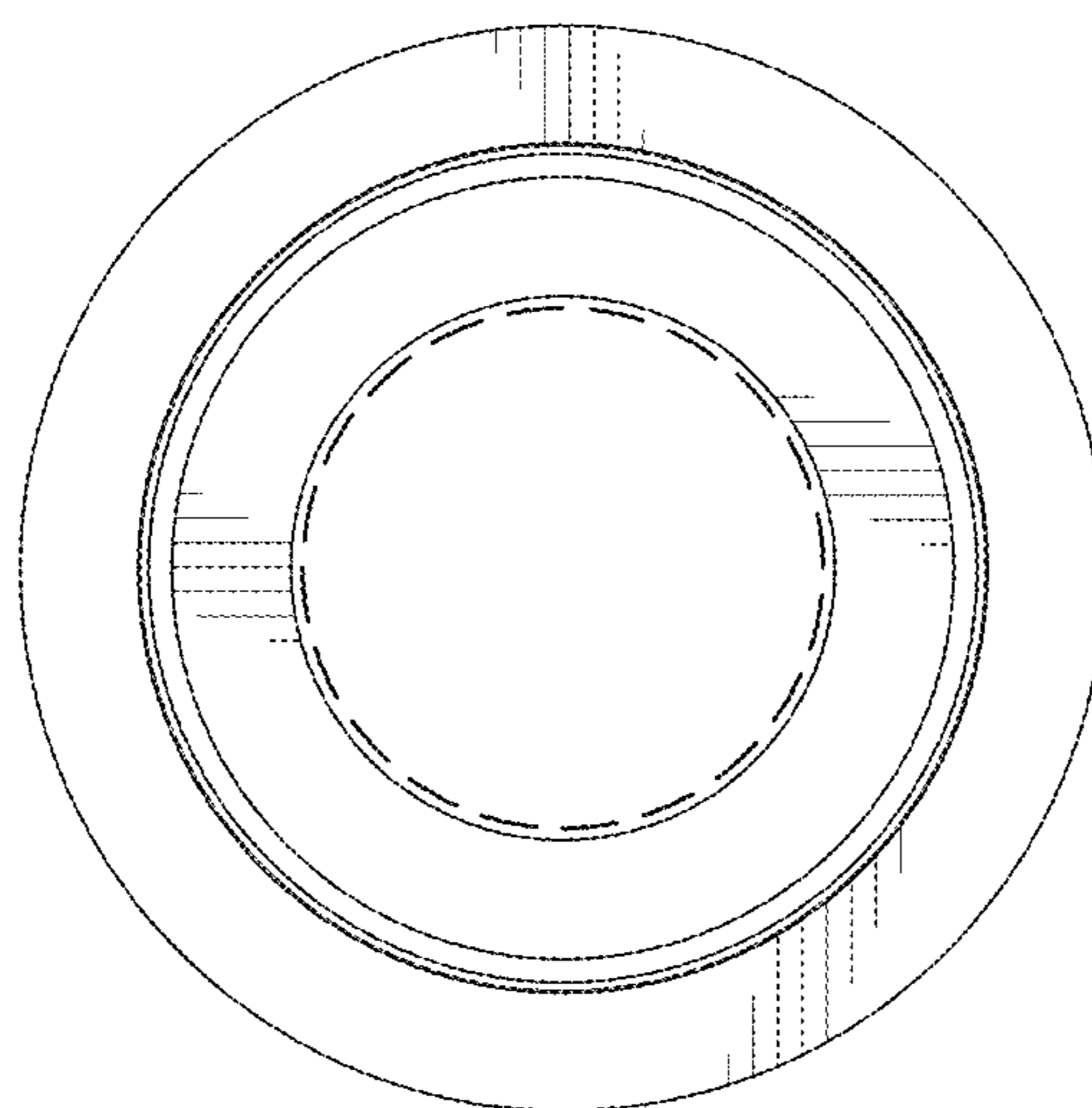


Fig. 2

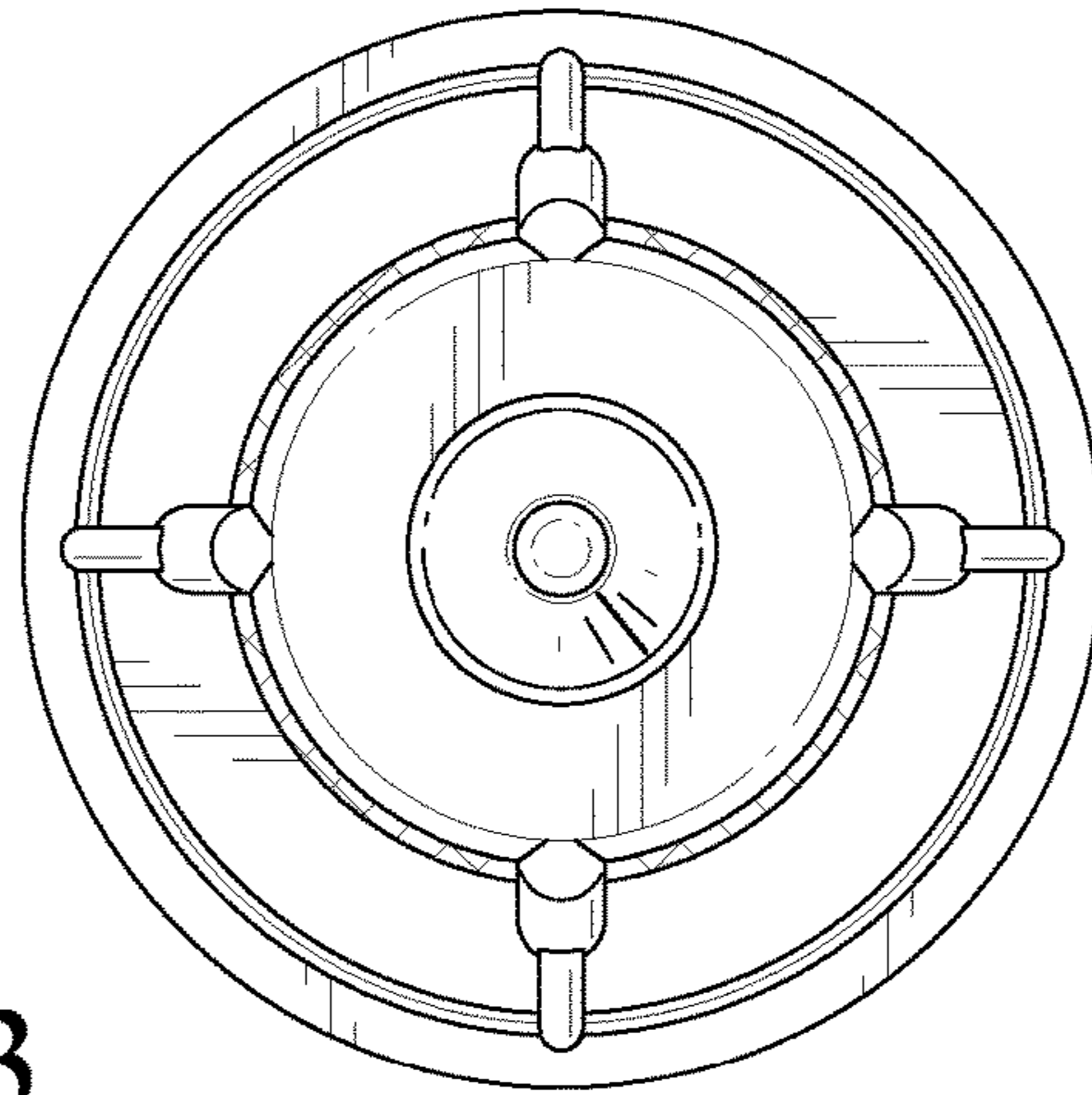


Fig. 3

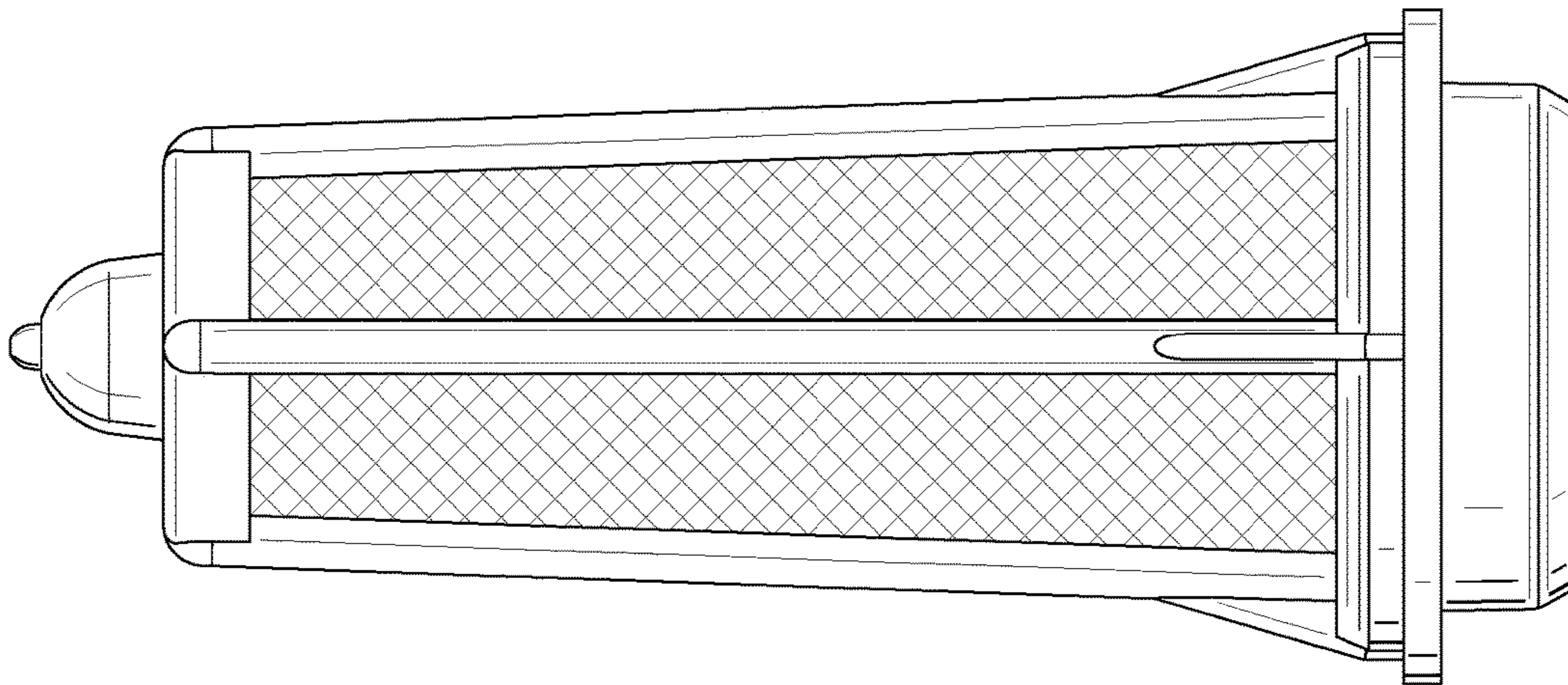


Fig. 4

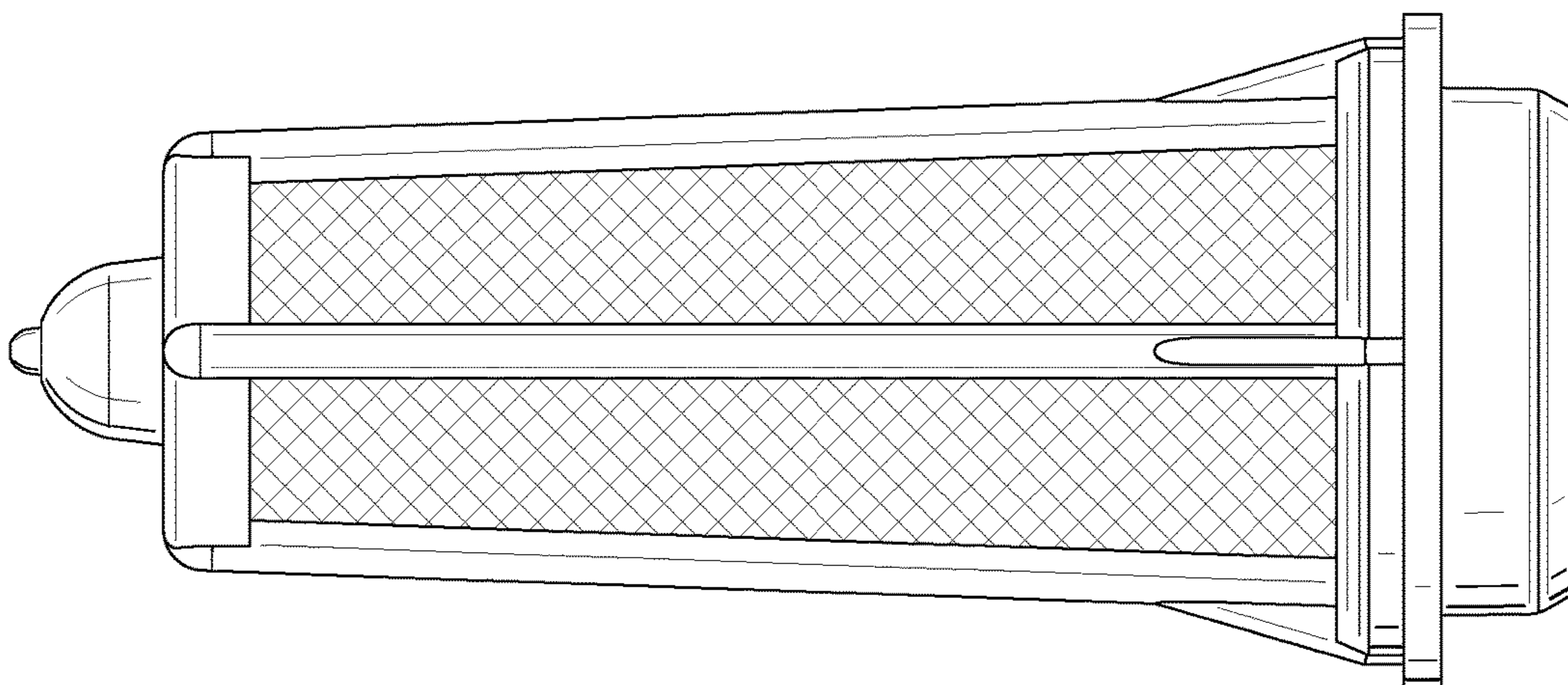


Fig. 5

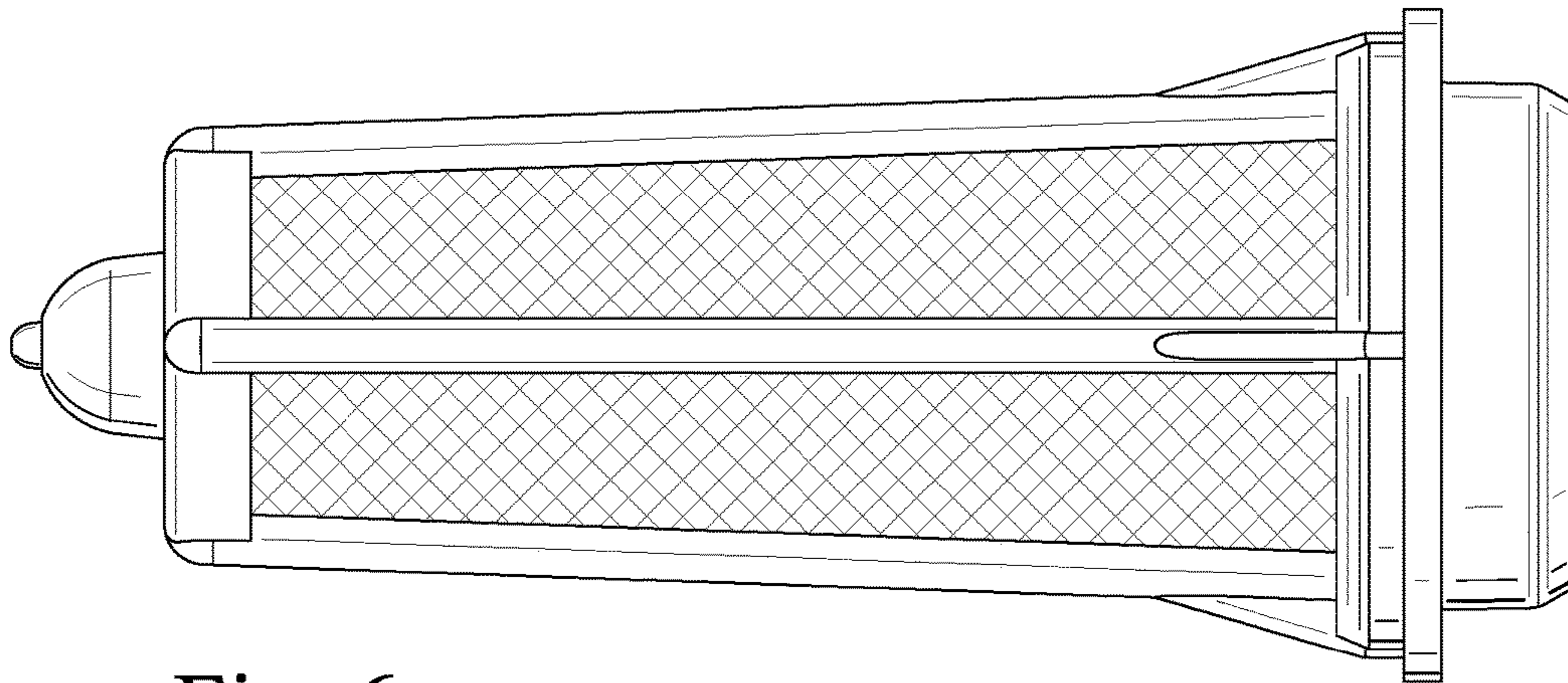


Fig. 6

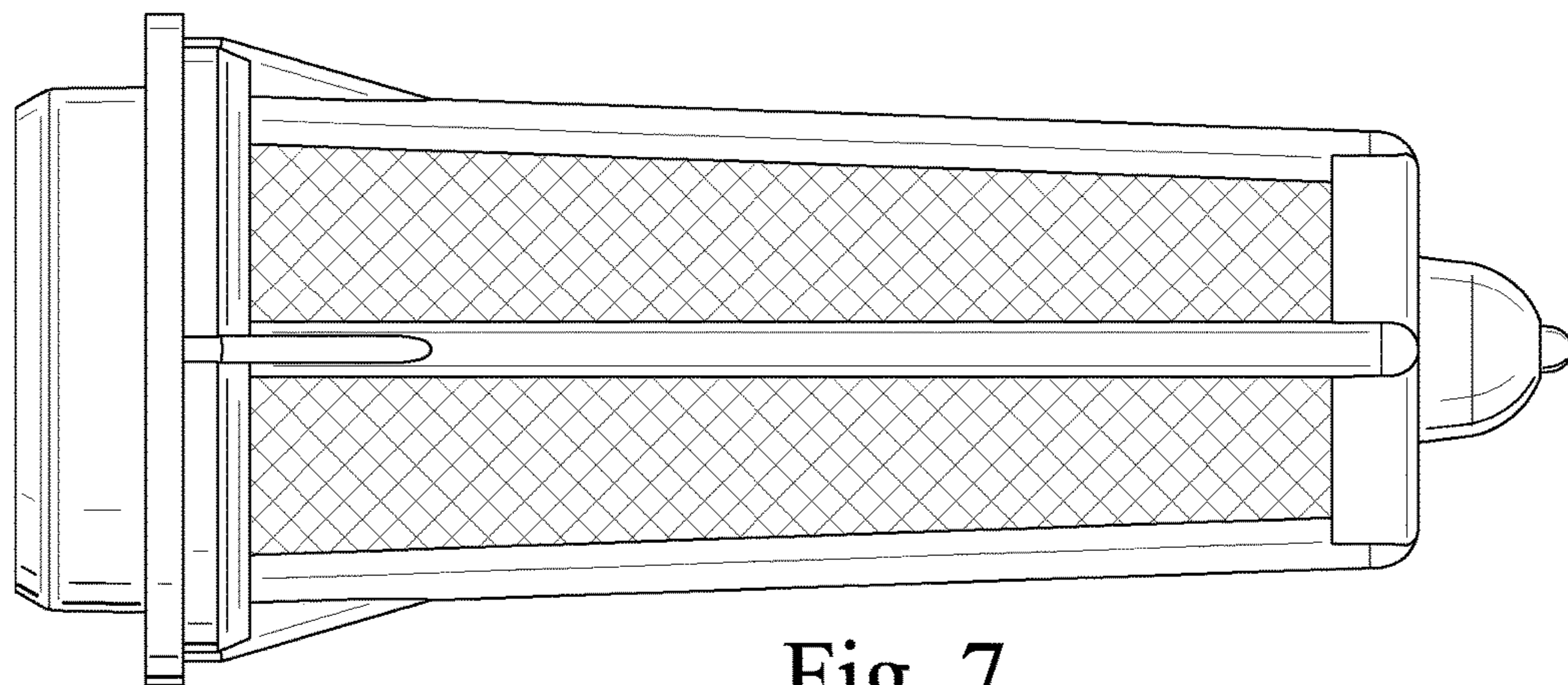


Fig. 7

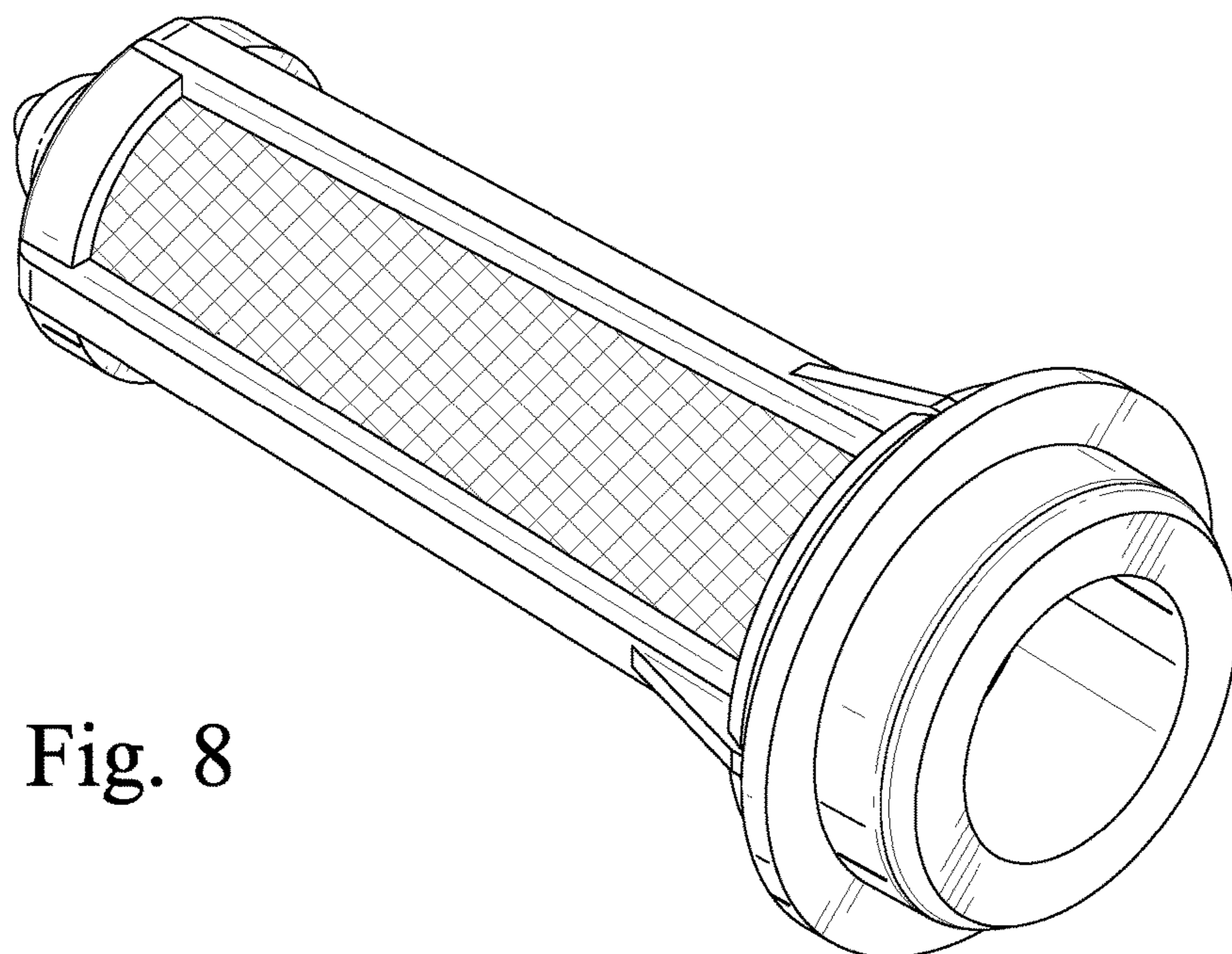


Fig. 8