



US00D827806S

(12) **United States Design Patent**
Biancuzzo

(10) **Patent No.:** **US D827,806 S**
(45) **Date of Patent:** **** Sep. 4, 2018**

- (54) **CEILING FAN**
- (71) Applicant: **AIR COOL INDUSTRIAL CO., LTD.**, Taichung (TW)
- (72) Inventor: **Francisco Biancuzzo**, Davie, FL (US)
- (73) Assignee: **AIR COOL INDUSTRIAL CO., LTD.**, Taichung (TW)
- (**) Term: **15 Years**
- (21) Appl. No.: **29/633,480**
- (22) Filed: **Jan. 14, 2018**
- (51) **LOC (11) Cl.** **23-04**
- (52) **U.S. Cl.**
USPC **D23/377**
- (58) **Field of Classification Search**
USPC D23/370, 377, 379, 385, 411; D26/59
CPC F04D 25/088; F21V 33/0096
See application file for complete search history.

- D579,097 S * 10/2008 Hidalgo D23/377
- D804,011 S * 11/2017 Holmes D23/377
- D804,631 S * 12/2017 Holmes D23/377
- D804,637 S * 12/2017 Holmes D23/377
- D805,626 S * 12/2017 Hagggar D23/377
- D810,921 S * 2/2018 McRoberts D23/377
- 2004/0022636 A1 * 2/2004 Bilskie F04D 25/088
416/244 R

* cited by examiner

Primary Examiner — Janice Hallmark

(74) *Attorney, Agent, or Firm* — Pai Patent & Trademark Law Firm; Chao-Chang David Pai

(57) **CLAIM**

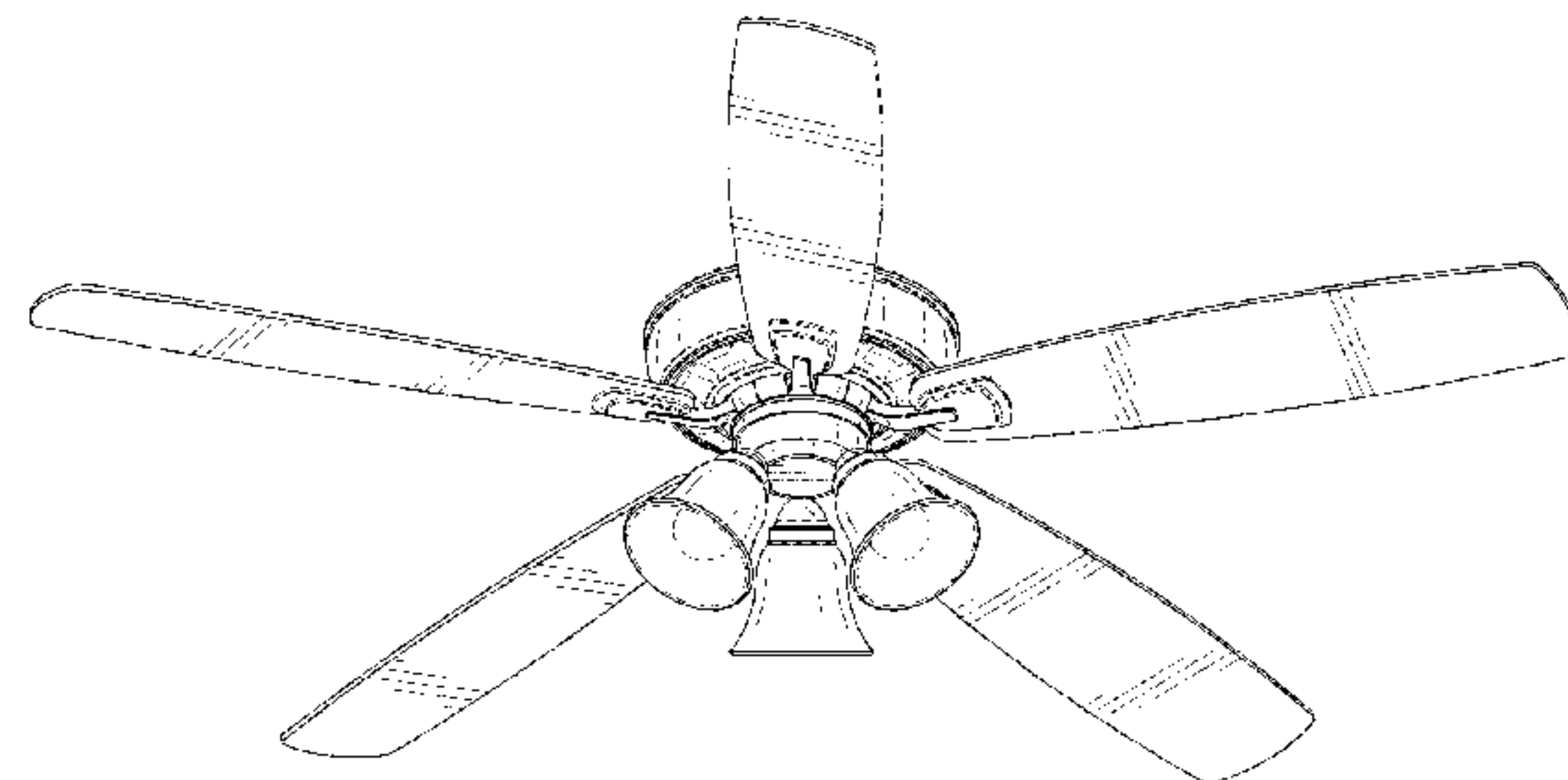
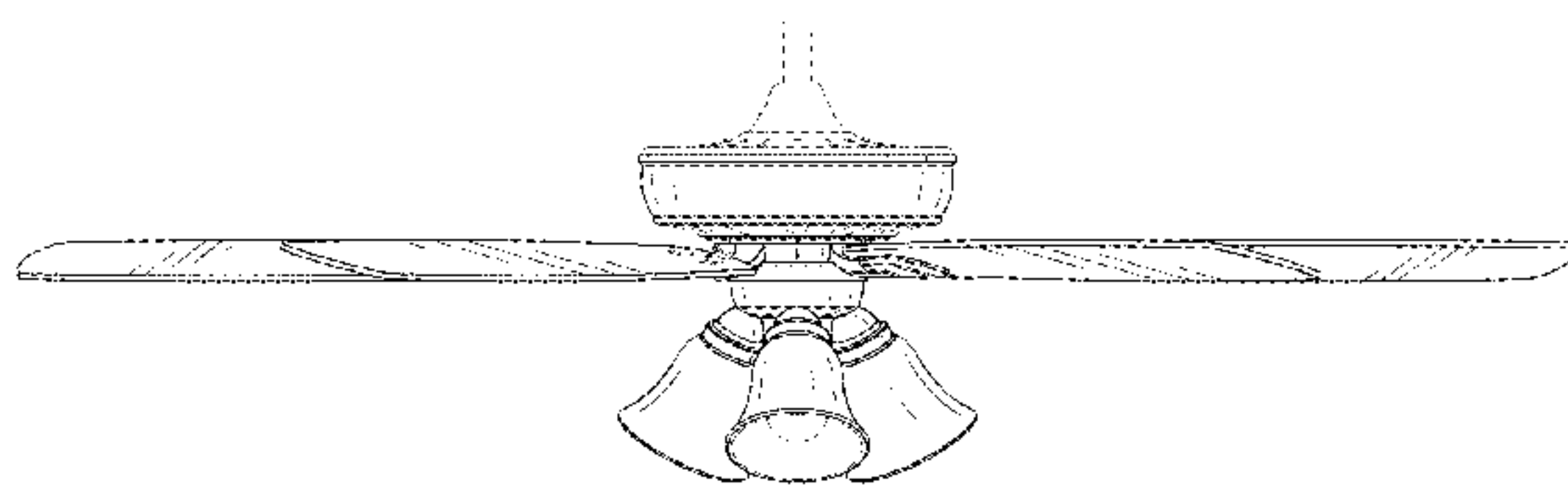
The ornamental design for a ceiling fan, as shown and described.

DESCRIPTION

FIG. 1 is a front top perspective view of a ceiling fan showing my new design;
 FIG. 2 is a front elevational view thereof;
 FIG. 3 is a rear elevational view thereof;
 FIG. 4 is a left side elevational view thereof;
 FIG. 5 is a right side elevational view thereof;
 FIG. 6 is a top plan view thereof;
 FIG. 7 is a bottom plan view thereof; and,
 FIG. 8 is a front bottom perspective view thereof.
 The broken lines are for the purpose of illustrating environmental structure and form no part of the claimed design.

1 Claim, 6 Drawing Sheets

- (56) **References Cited**
U.S. PATENT DOCUMENTS
- D364,224 S * 11/1995 Wang D23/377
- D424,679 S * 5/2000 LaSpina D23/377
- D426,629 S * 6/2000 LaSpina D23/377
- D485,344 S * 1/2004 Tai D23/377
- D486,215 S * 2/2004 Hsieh D23/377
- D531,297 S * 10/2006 Ertze D23/377



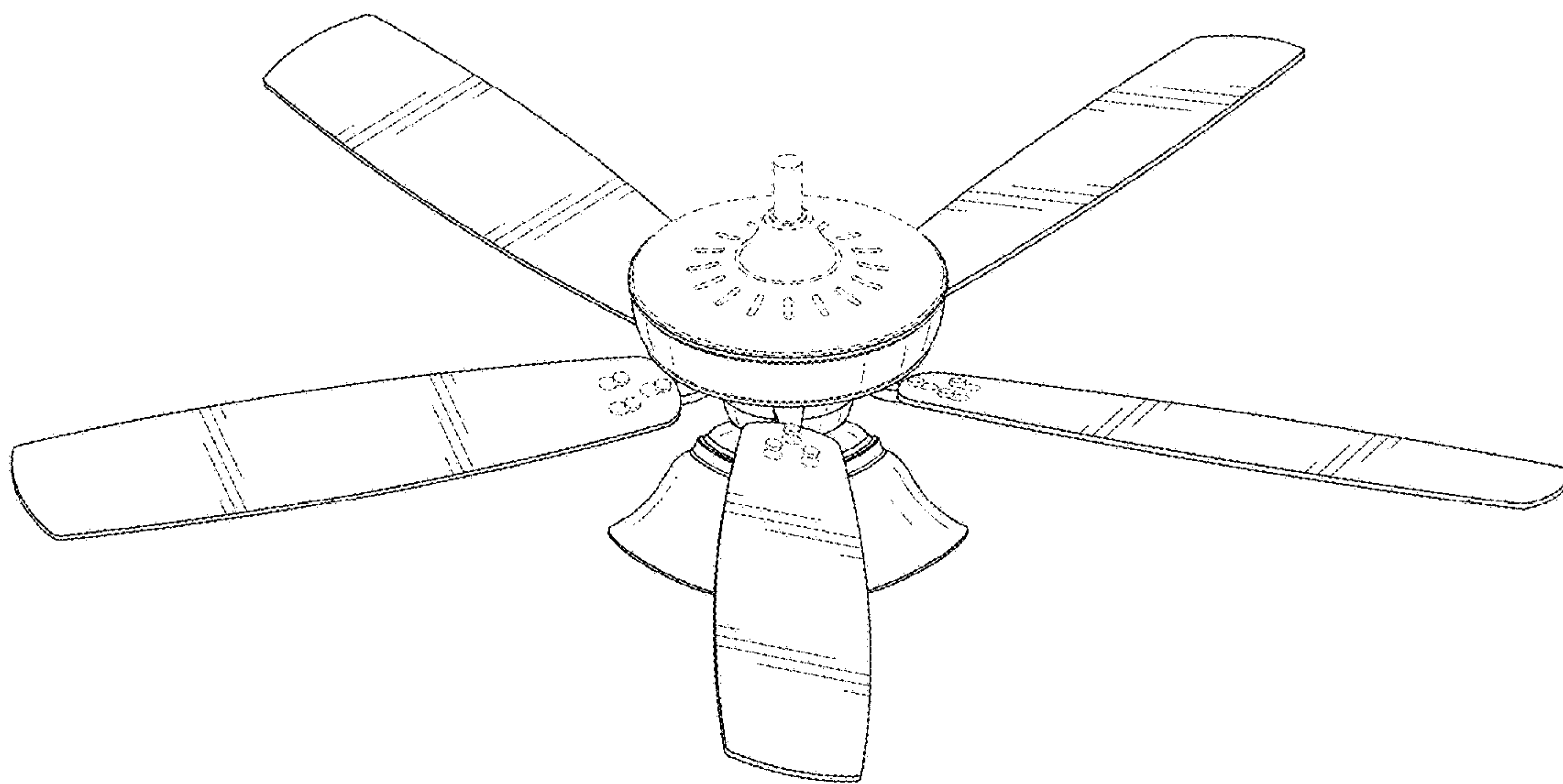


FIG. 1

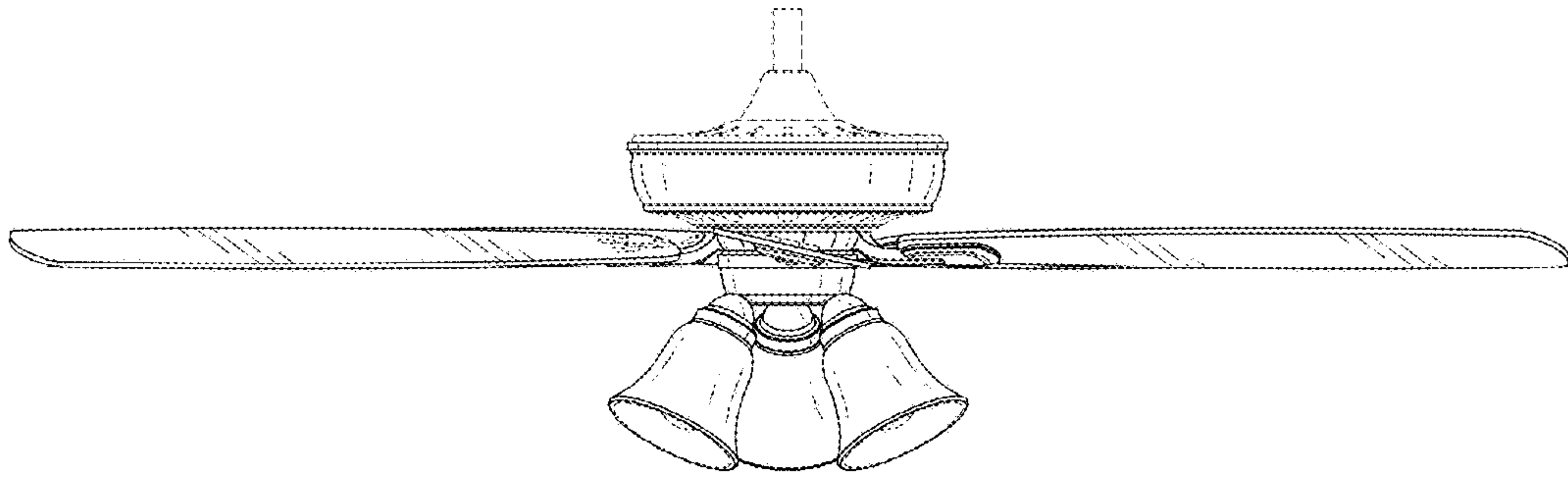


FIG. 2

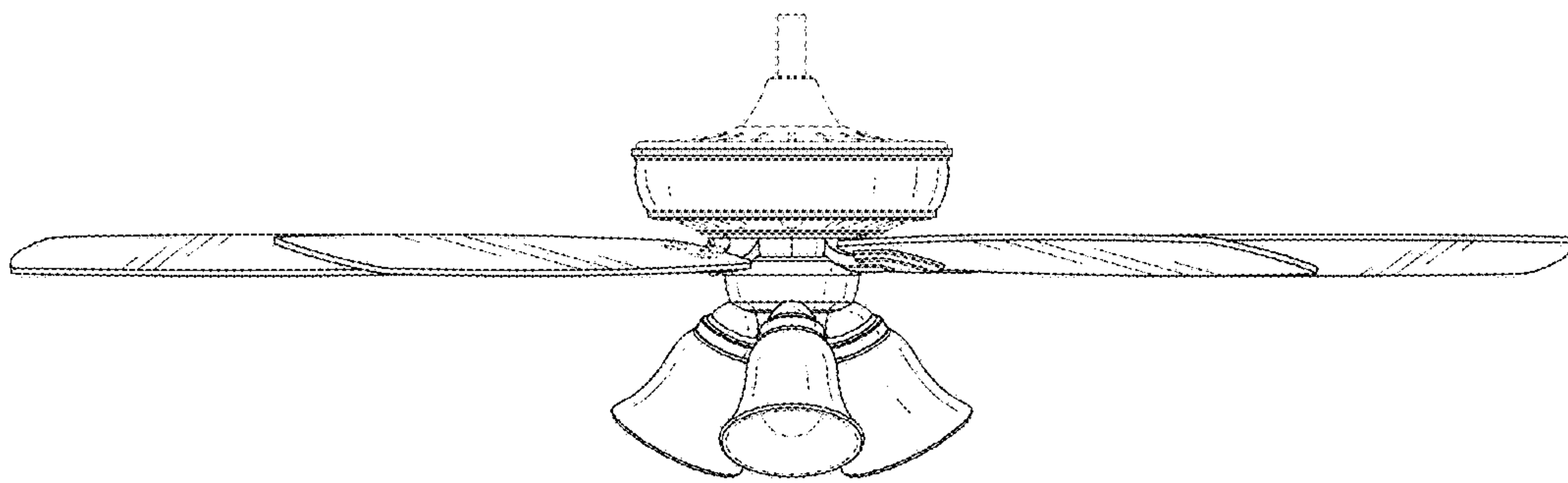


FIG. 3

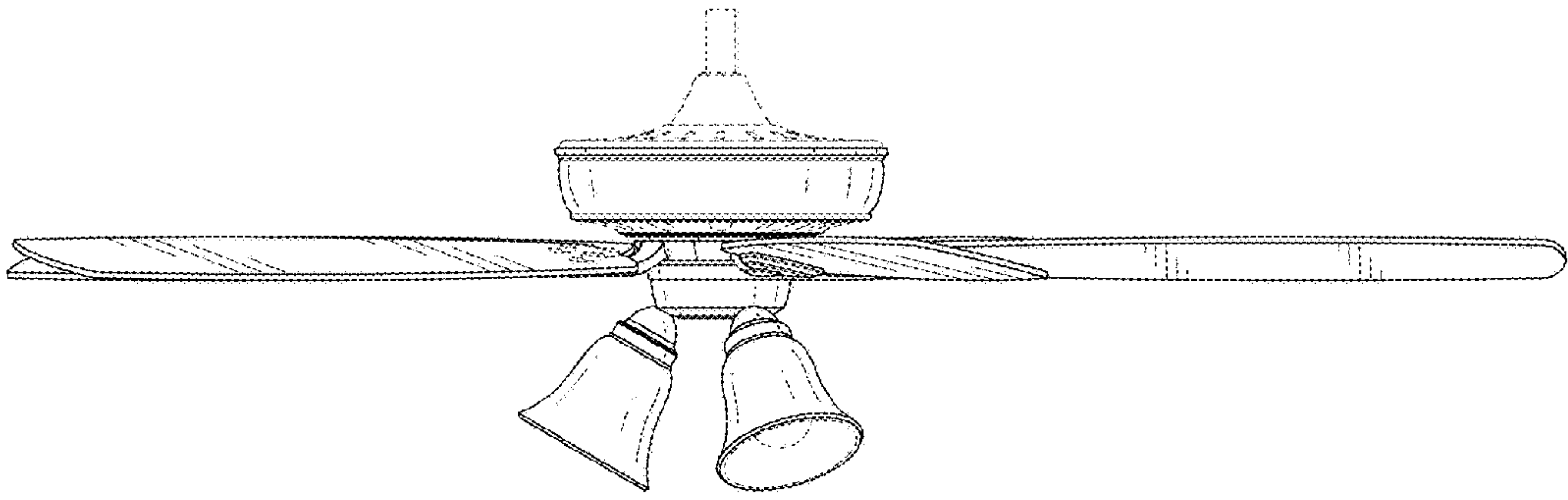


FIG. 4

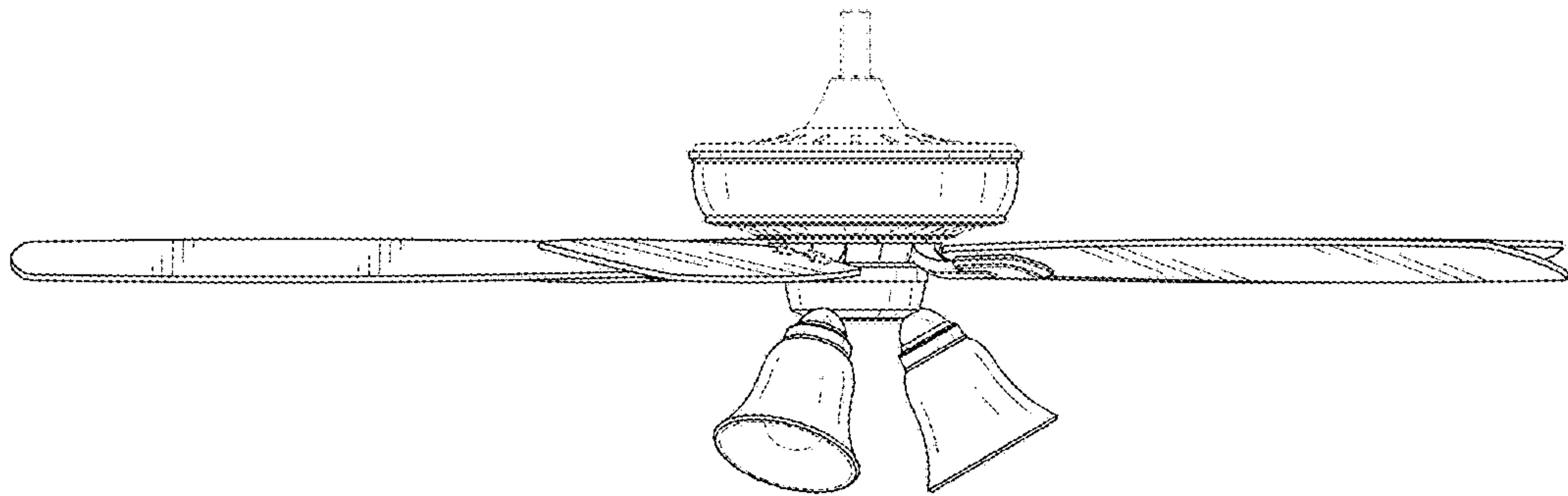


FIG. 5

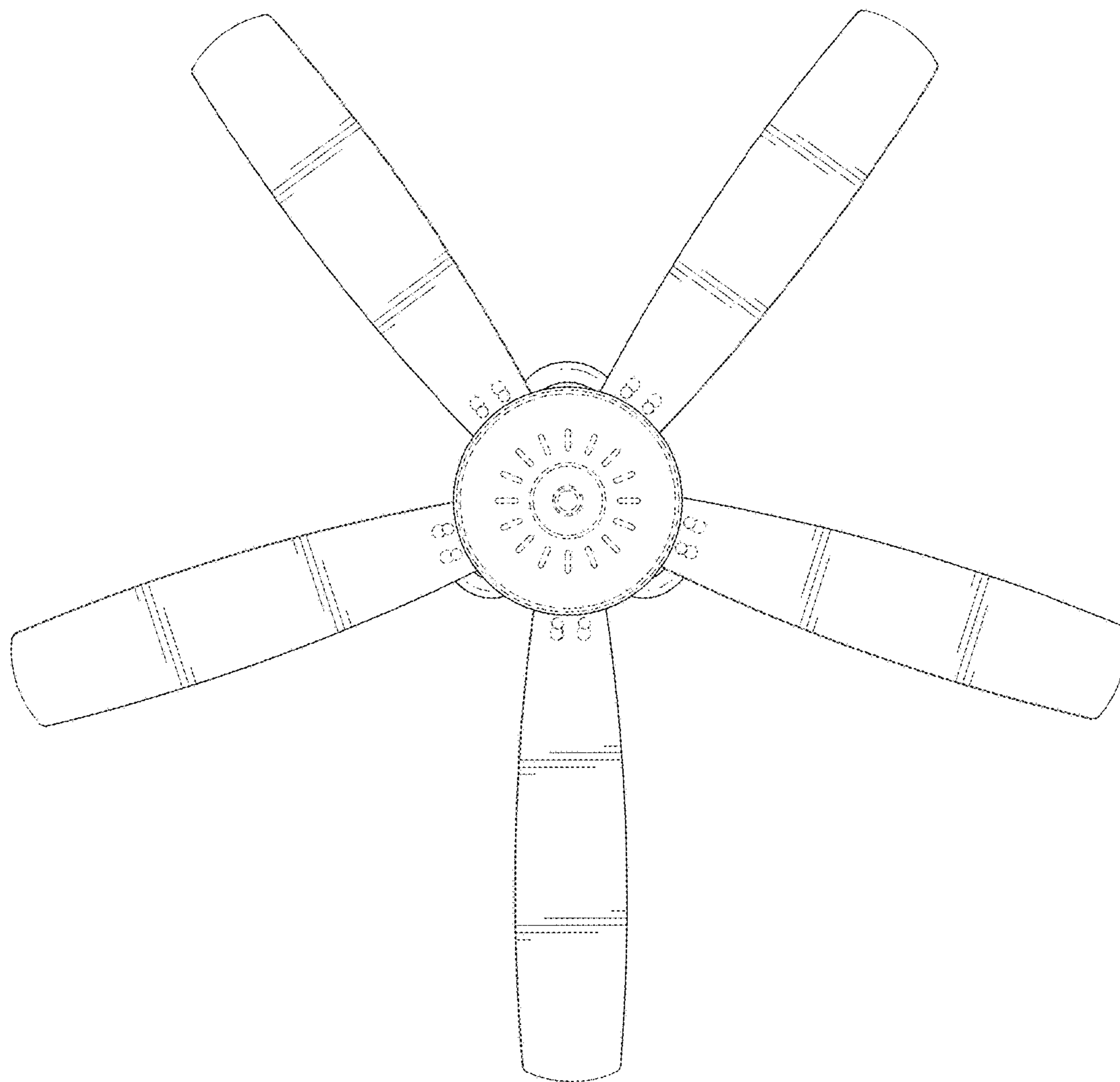


FIG. 6

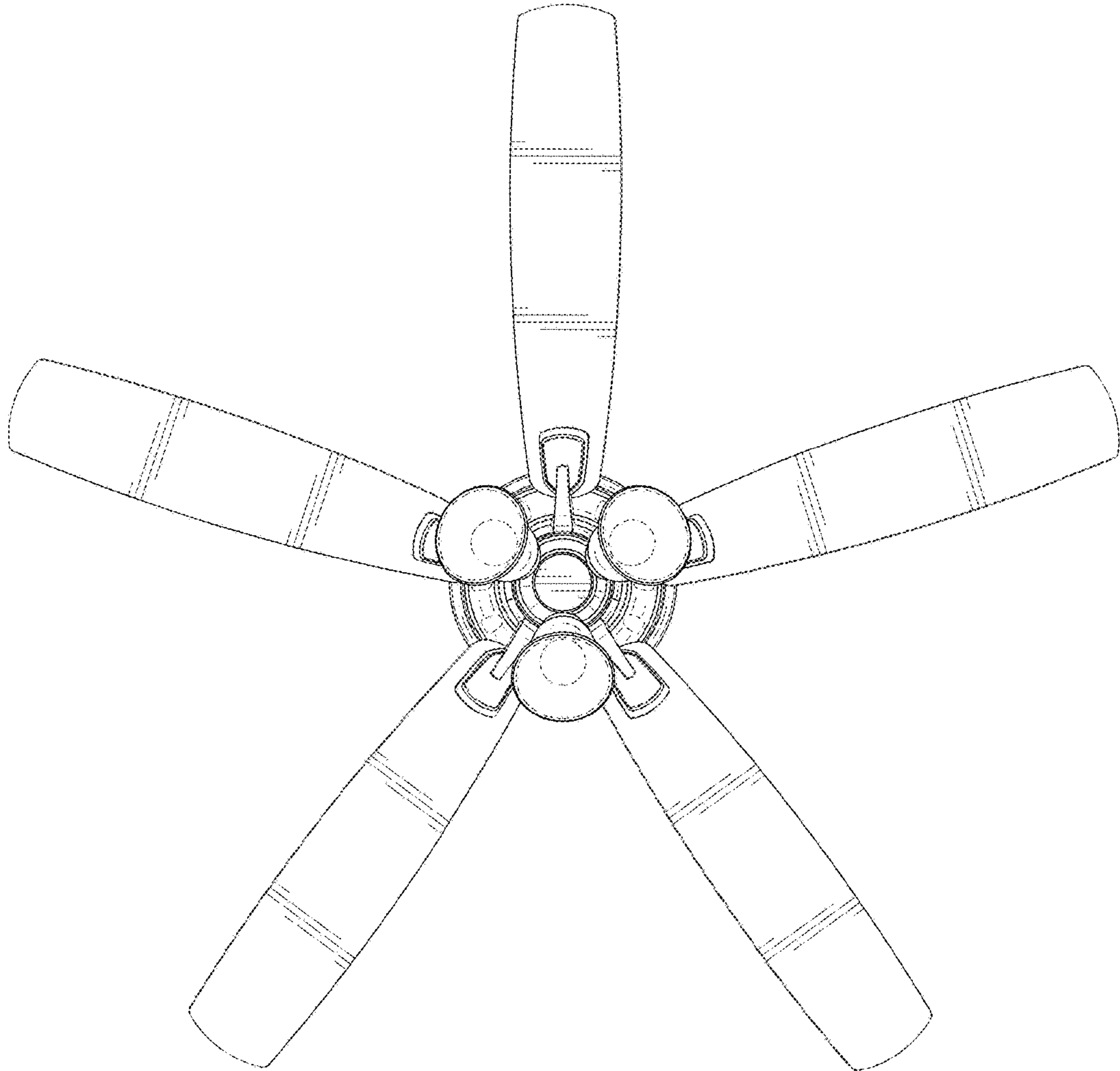


FIG. 7

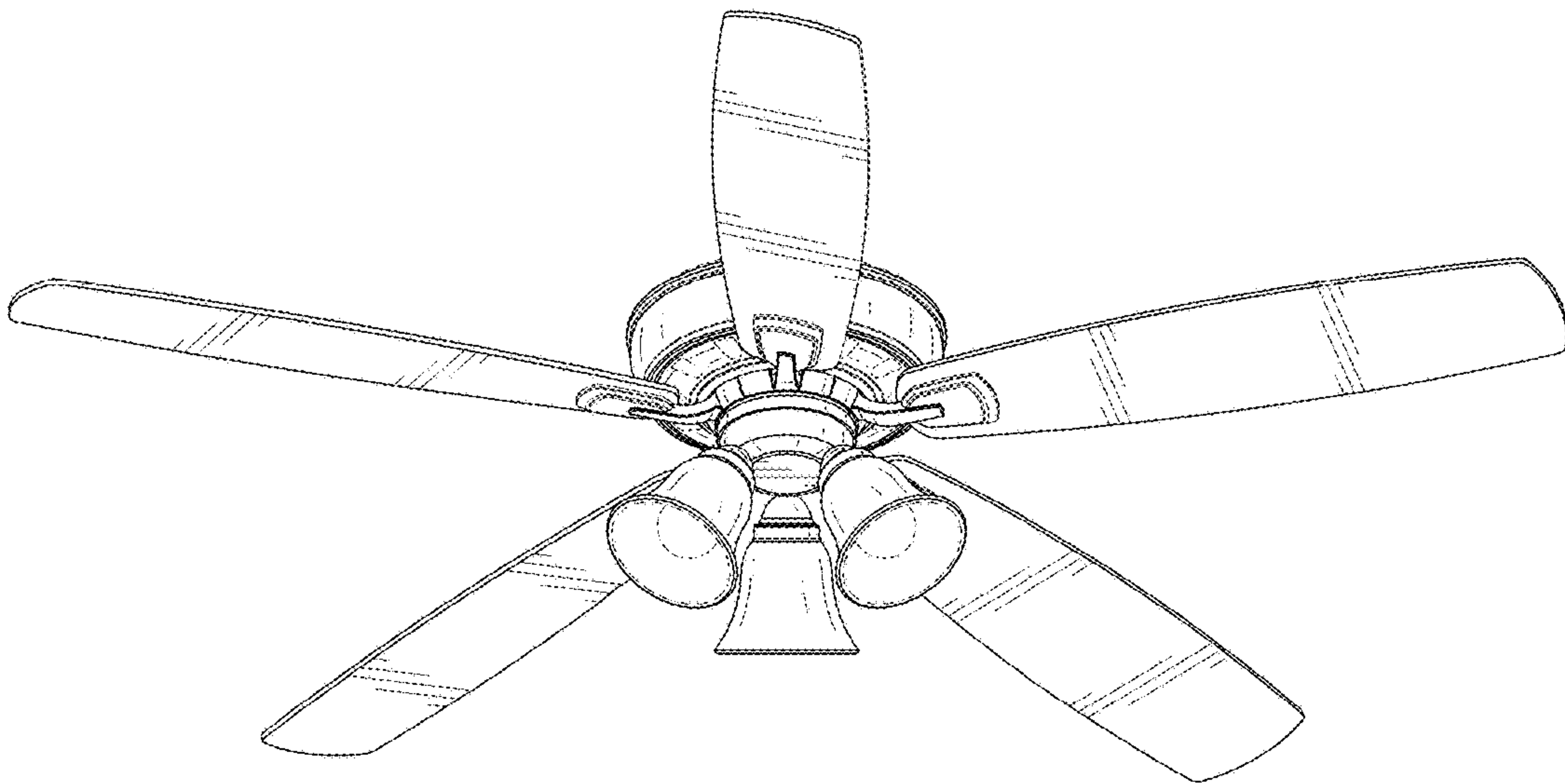


FIG. 8