



US00D827805S

(12) **United States Design Patent**
Biancuzzo

(10) **Patent No.:** **US D827,805 S**
(45) **Date of Patent:** **** Sep. 4, 2018**

(54) **CEILING FAN**

(71) Applicant: **AIR COOL INDUSTRIAL CO., LTD.**, Taichung (TW)

(72) Inventor: **Francisco Biancuzzo**, Davie, FL (US)

(73) Assignee: **AIR COOL INDUSTRIAL CO., LTD.**, Taichung (TW)

(**) Term: **15 Years**

(21) Appl. No.: **29/633,479**

(22) Filed: **Jan. 14, 2018**

(51) **LOC (11) Cl.** **23-04**

(52) **U.S. Cl.**
USPC **D23/377**

(58) **Field of Classification Search**
USPC D23/370, 377, 385, 411-413; D26/59
CPC F04D 25/088; F21V 33/0096
See application file for complete search history.

(56) **References Cited**

U.S. PATENT DOCUMENTS

D485,347 S *	1/2004	Bucher	D23/377
D594,543 S *	6/2009	Pan	D23/377
D620,581 S *	7/2010	Chen	D23/377
D621,497 S *	8/2010	Chen	D23/377
D671,202 S *	11/2012	Searle	D23/377
D707,807 S *	6/2014	Pan	D23/377

D804,634 S *	12/2017	Holmes	D23/377
D805,626 S *	12/2017	Haggar	D23/377
D810,912 S *	2/2018	McRoberts	D23/377
D810,914 S *	2/2018	Badarello	D23/377

* cited by examiner

Primary Examiner — Janice Hallmark

(74) *Attorney, Agent, or Firm* — Pai Patent & Trademark Law Firm; Chao-Chang David Pai

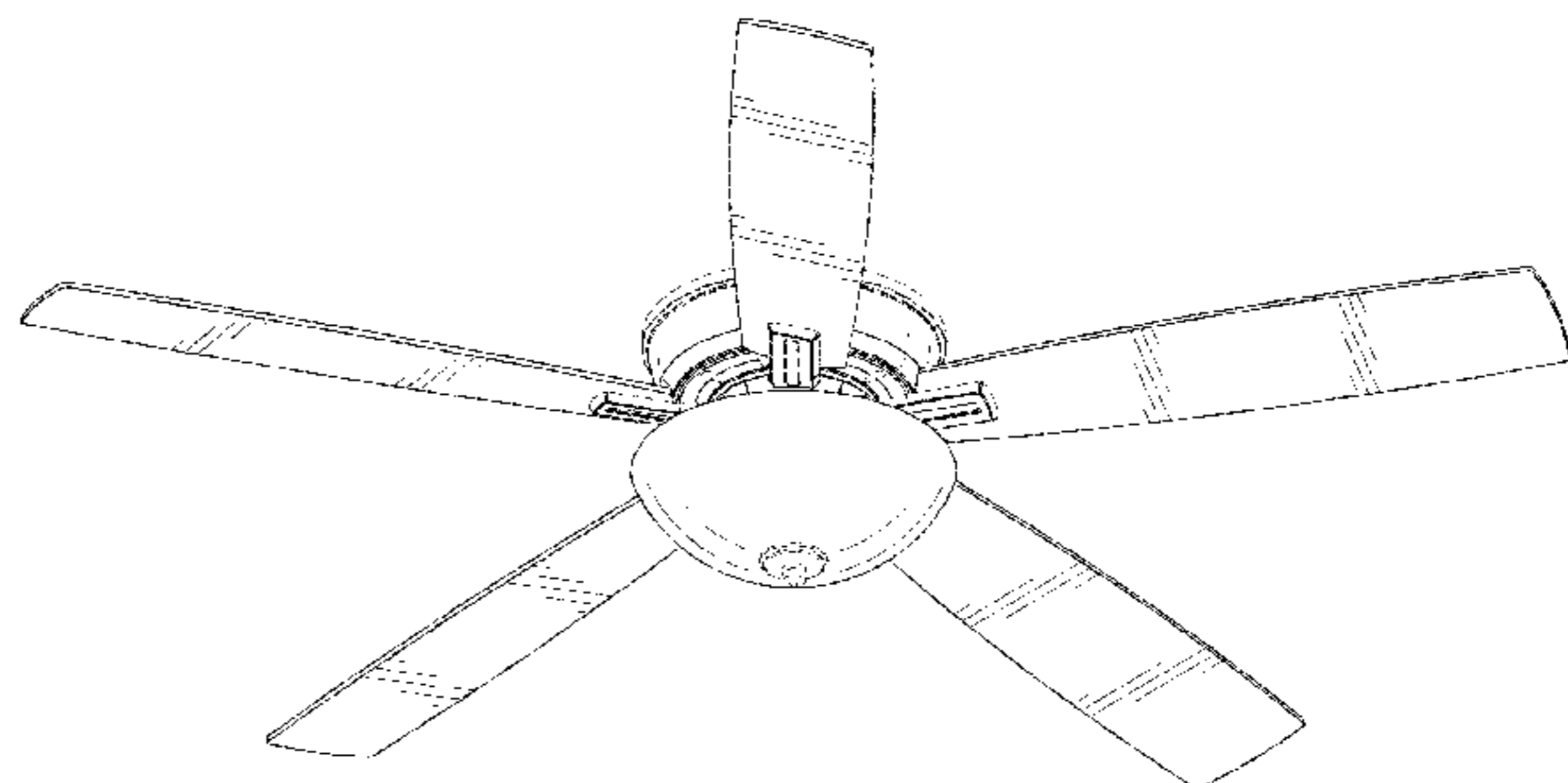
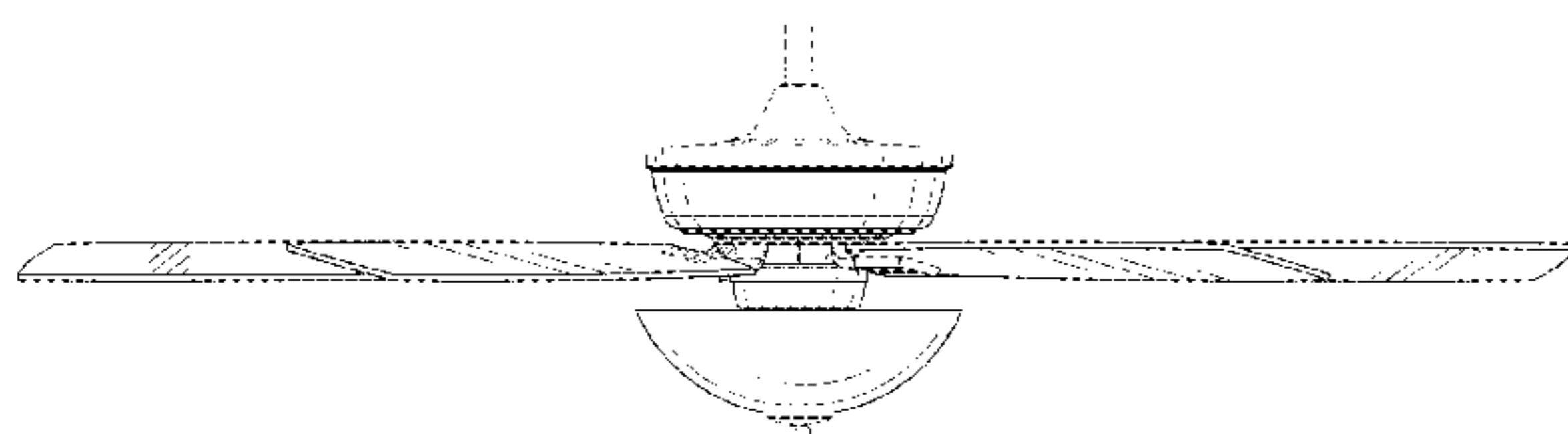
(57) **CLAIM**

The ornamental design for a ceiling fan, as shown and described.

DESCRIPTION

FIG. 1 is a front top perspective view of a ceiling fan showing my new design;
FIG. 2 is a front elevational view thereof;
FIG. 3 is a rear elevational view thereof;
FIG. 4 is a left side elevational view thereof;
FIG. 5 is a right side elevational view thereof;
FIG. 6 is a top plan view thereof;
FIG. 7 is a bottom plan view thereof; and,
FIG. 8 is a front bottom perspective view thereof.
The broken lines are for the purpose of illustrating environmental structure and form no part of the claimed design.

1 Claim, 6 Drawing Sheets



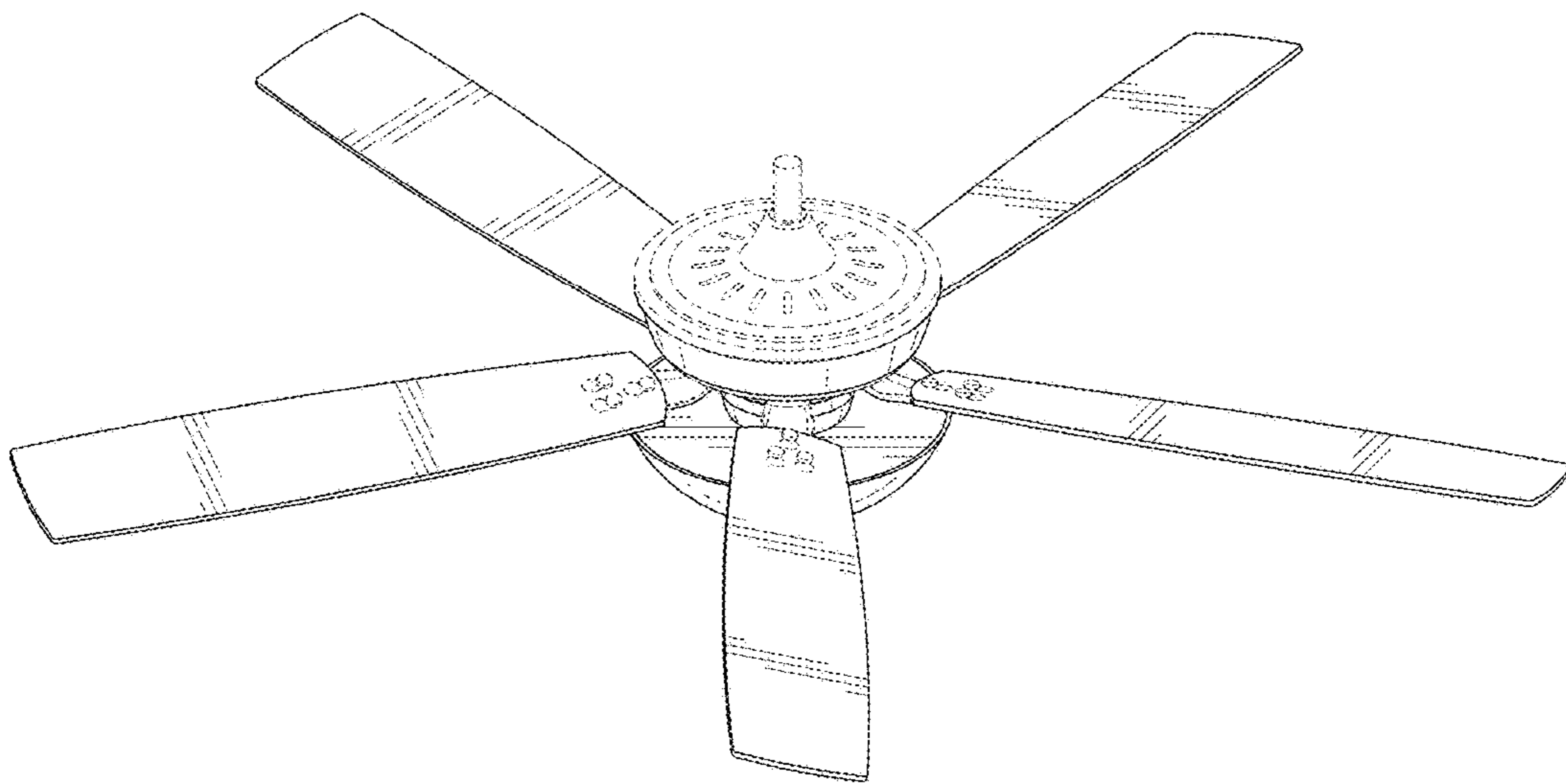


FIG. 1

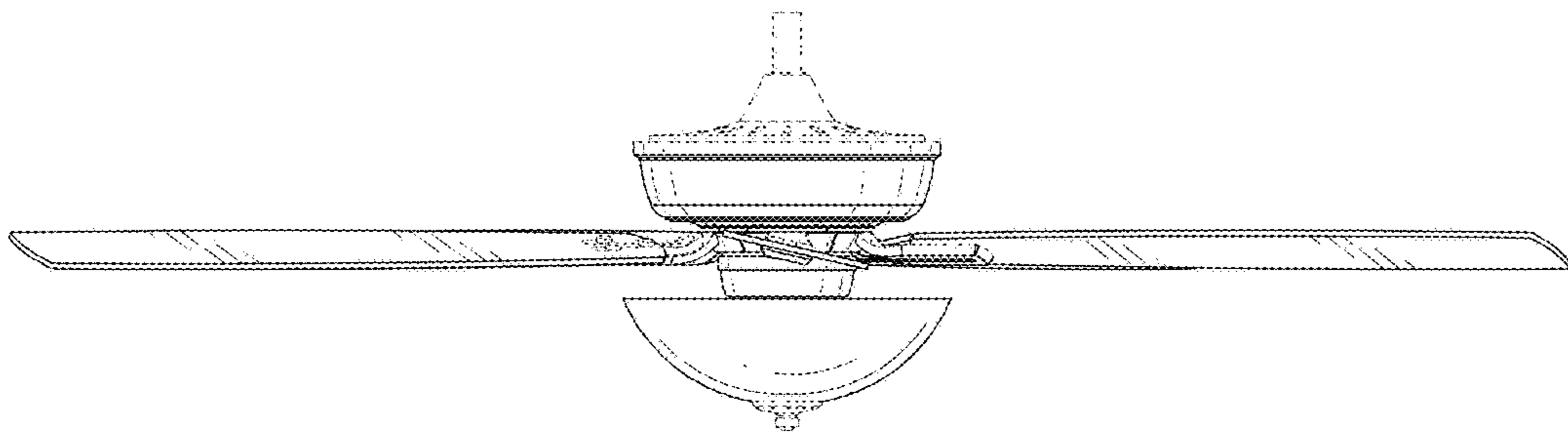


FIG. 2

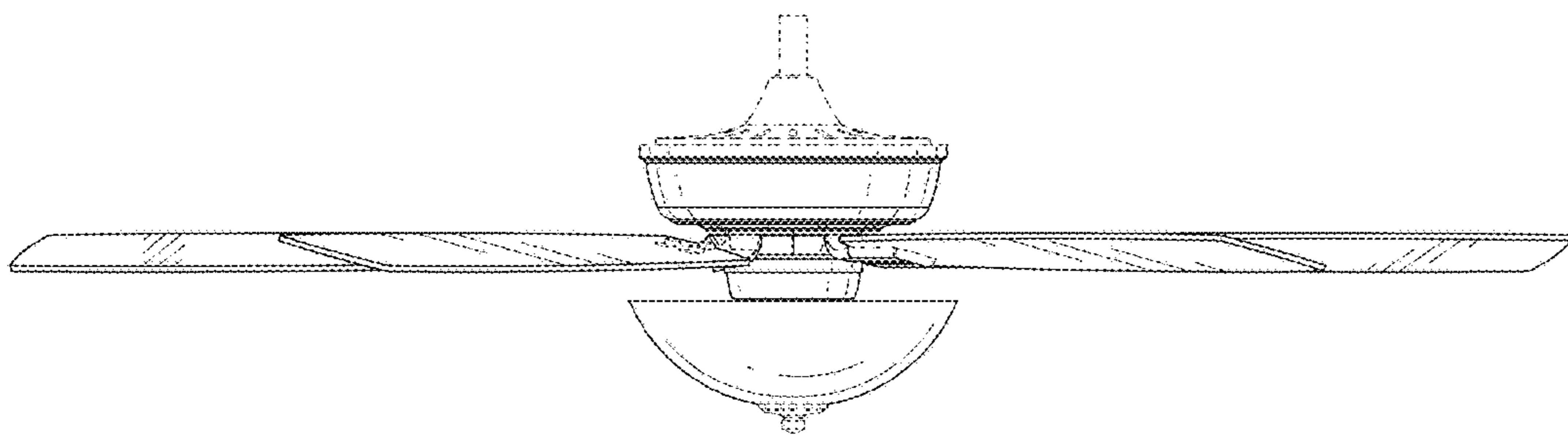


FIG. 3

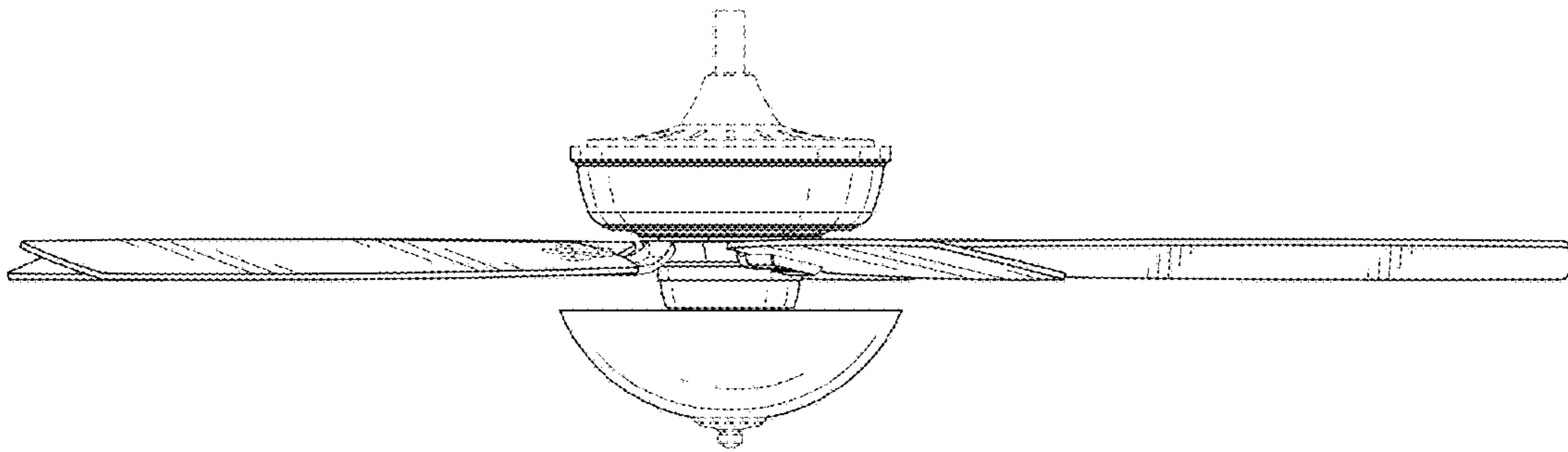


FIG. 4

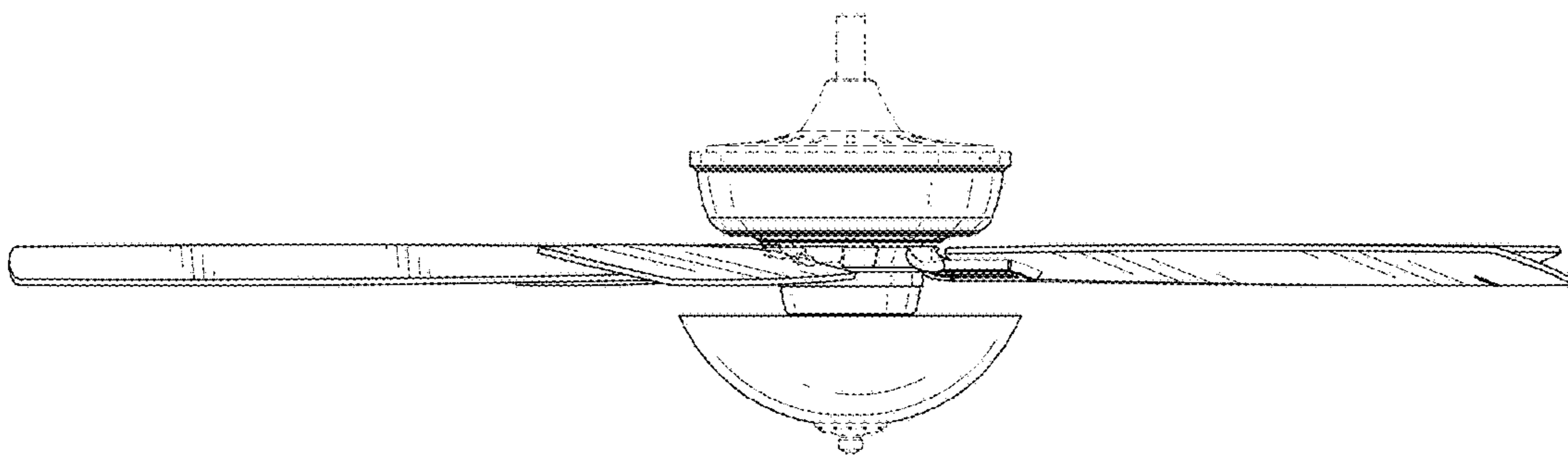


FIG. 5

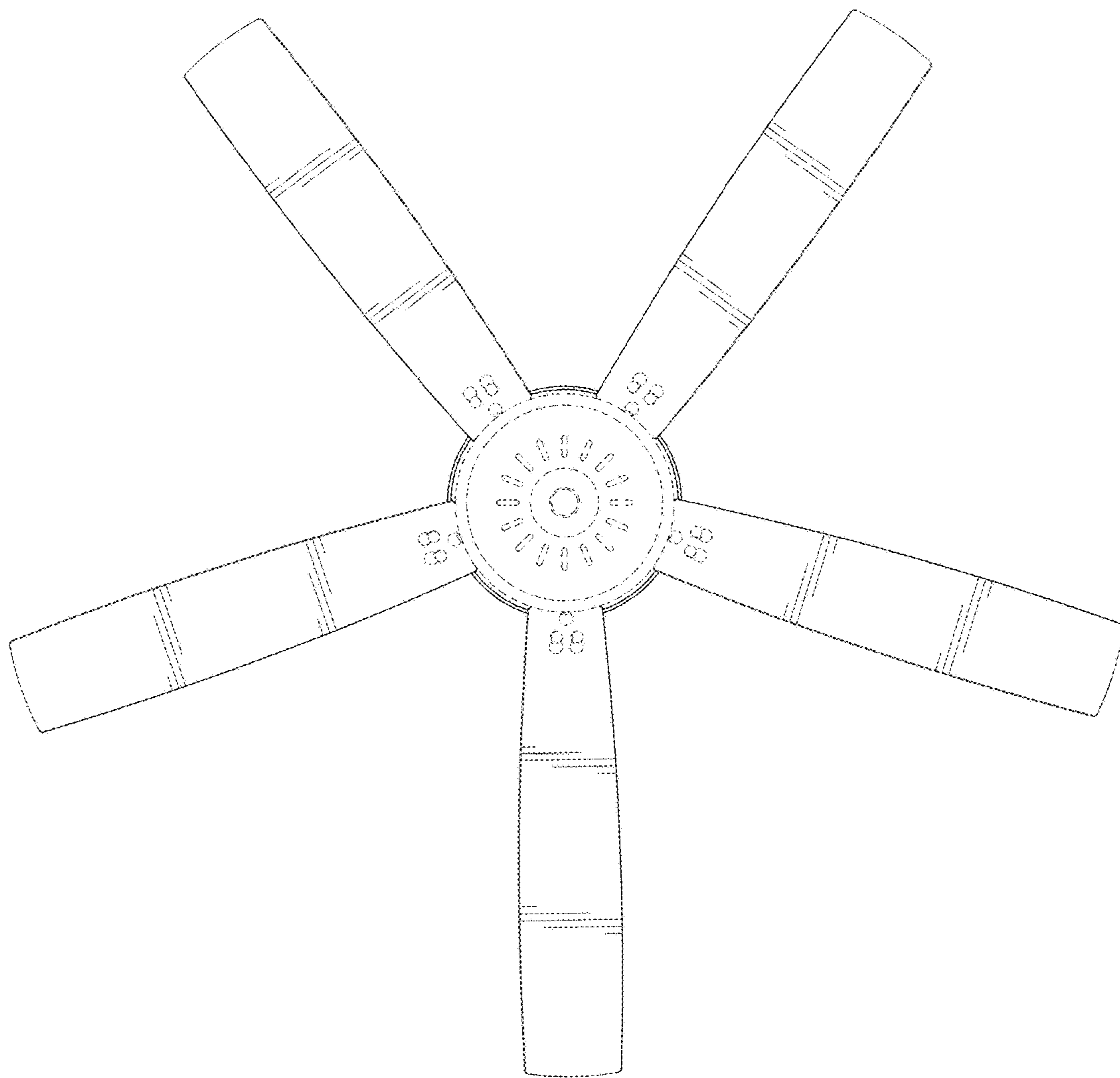


FIG. 6

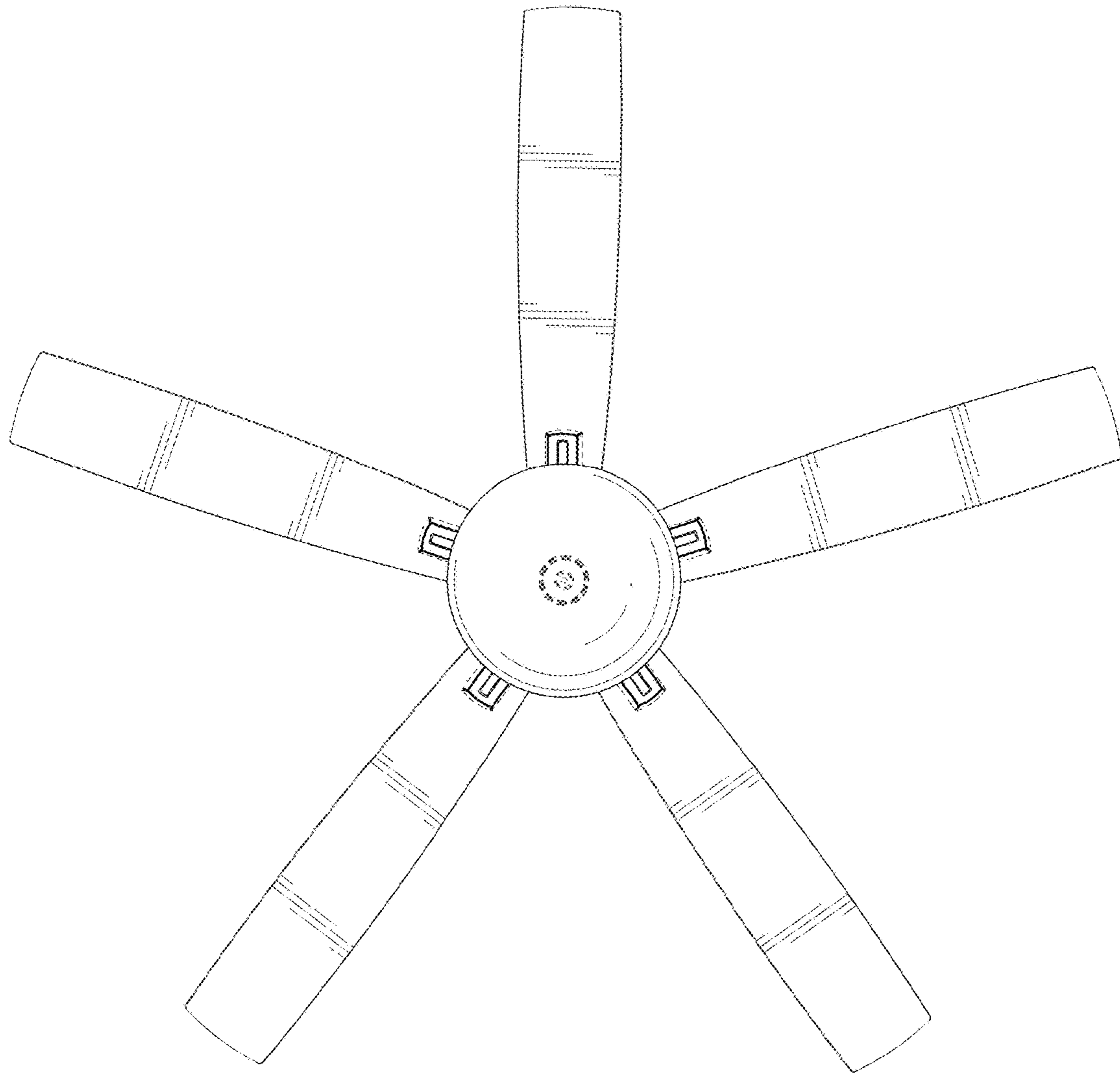


FIG. 7

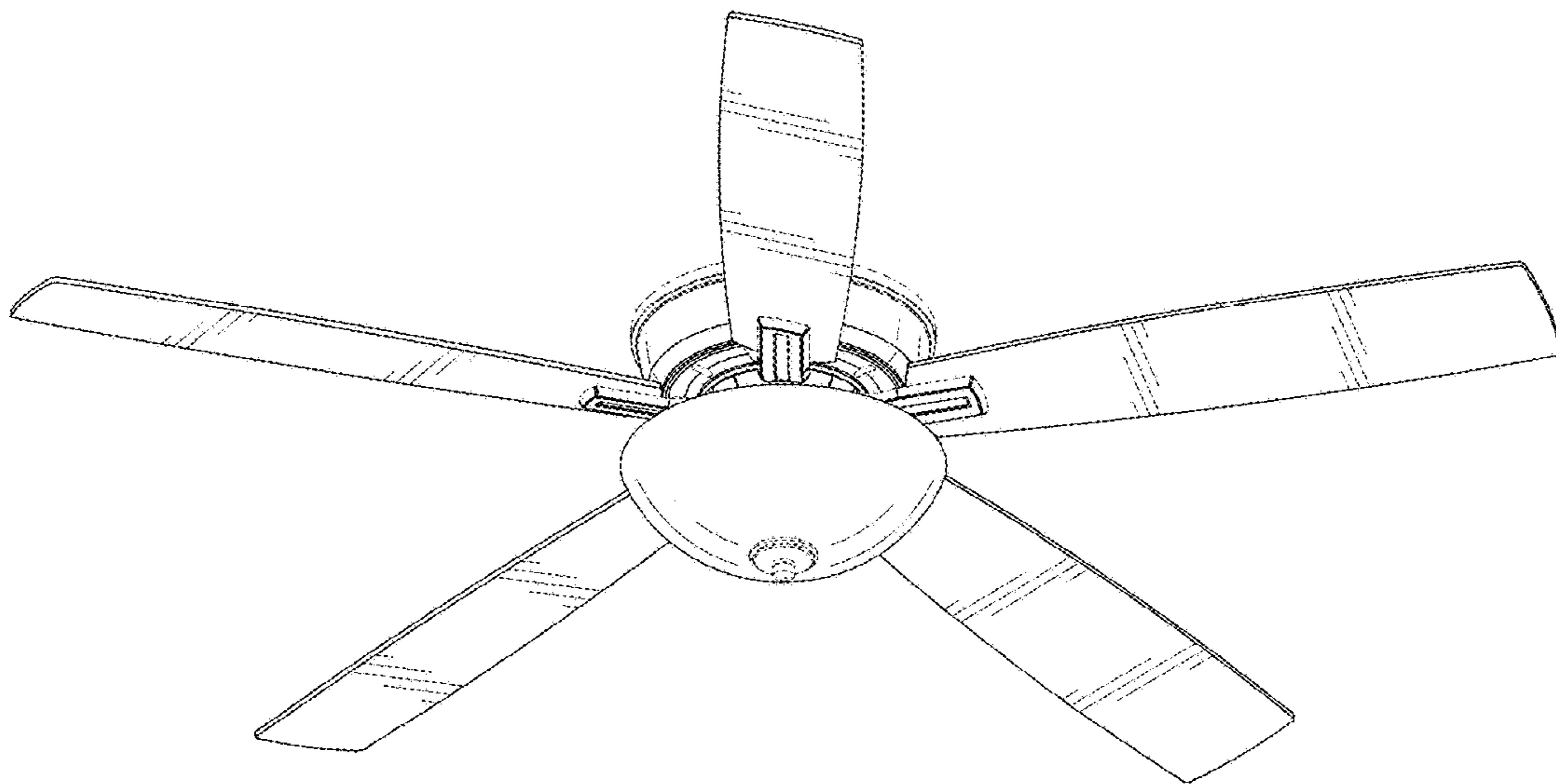


FIG. 8