



US00D827804S

(12) **United States Design Patent**  
**Fox**

(10) **Patent No.:** **US D827,804 S**  
(45) **Date of Patent:** **\*\* Sep. 4, 2018**

(54) **WAX DROP**

(71) Applicant: **The Procter & Gamble Company,**  
Cincinnati, OH (US)

(72) Inventor: **Sara Elizabeth Fox,** Cincinnati, OH  
(US)

(73) Assignee: **The Procter & Gamble Company,**  
Cincinnati, OH (US)

(\*\*) Term: **15 Years**

(21) Appl. No.: **29/575,435**

(22) Filed: **Aug. 25, 2016**

(51) **LOC (11) Cl.** ..... **23-04**

(52) **U.S. Cl.**  
USPC ..... **D23/367; D23/366**

(58) **Field of Classification Search**  
USPC ..... D26/6, 7, 14, 16, 19; D1/100, 104, 106,  
D1/121, 127; D23/366, 367, 386;  
D28/8.1, 8.2  
CPC ..... C11D 17/0056; A47L 15/4436; A61K  
9/2072  
See application file for complete search history.

(56) **References Cited**

**U.S. PATENT DOCUMENTS**

D201,594 S *	7/1965	Woodard	.....	D28/8.1
D215,248 S *	9/1969	Viitanen	.....	D28/8.2
D291,740 S *	9/1987	Spiel	.....	D1/106
D302,337 S *	7/1989	Bresloff	.....	D24/101
D307,815 S *	5/1990	Parri	.....	D1/127
D315,202 S *	3/1991	Kunze	.....	D23/366
5,009,896 A *	4/1991	Becker	.....	A61J 3/10 424/467
D336,539 S *	6/1993	Bates	.....	D28/6
D375,181 S *	11/1996	Tourney	.....	D1/100
D436,860 S *	1/2001	Raso	.....	D28/8.1
D445,673 S *	7/2001	Richardson	.....	D28/8.1

D450,883 S *	11/2001	Buter	.....	D1/127
D499,887 S *	12/2004	Wong	.....	D5/53
D569,036 S *	5/2008	Gutfleisch	.....	D28/8.1
D699,127 S *	2/2014	Garrity	.....	D9/707
D736,369 S *	8/2015	Bruining	.....	D24/101
D743,736 S *	11/2015	Hand	.....	D7/389
D765,235 S *	8/2016	O'Kane	.....	D23/366
D765,825 S *	9/2016	O'Kane	.....	D23/366
D765,942 S *	9/2016	Boulton	.....	D1/121
D788,401 S *	6/2017	Dingley	.....	D1/121
D791,614 S *	7/2017	Sahatjian	.....	D9/707
2010/0326878 A1 *	12/2010	Mangino	.....	B65D 1/36 206/561

**FOREIGN PATENT DOCUMENTS**

WO WO 2015/116528 A1 8/2015

**OTHER PUBLICATIONS**

U.S. Appl. No. 15/246,740, filed Aug. 25, 2016, Fox, et al.  
(Continued)

*Primary Examiner* — Ian Simmons  
*Assistant Examiner* — Keith Frank  
(74) *Attorney, Agent, or Firm* — Abbey A. Lopez

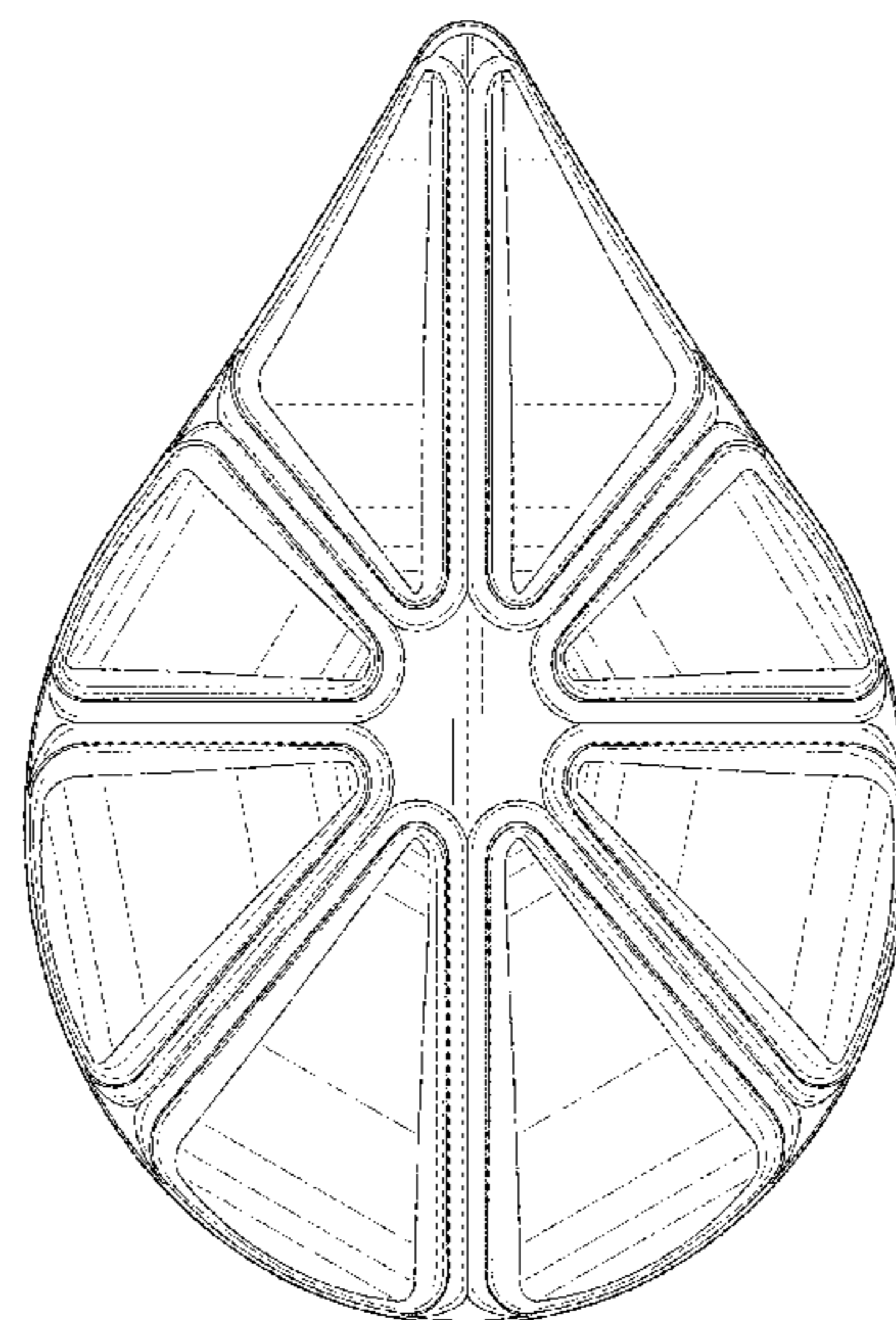
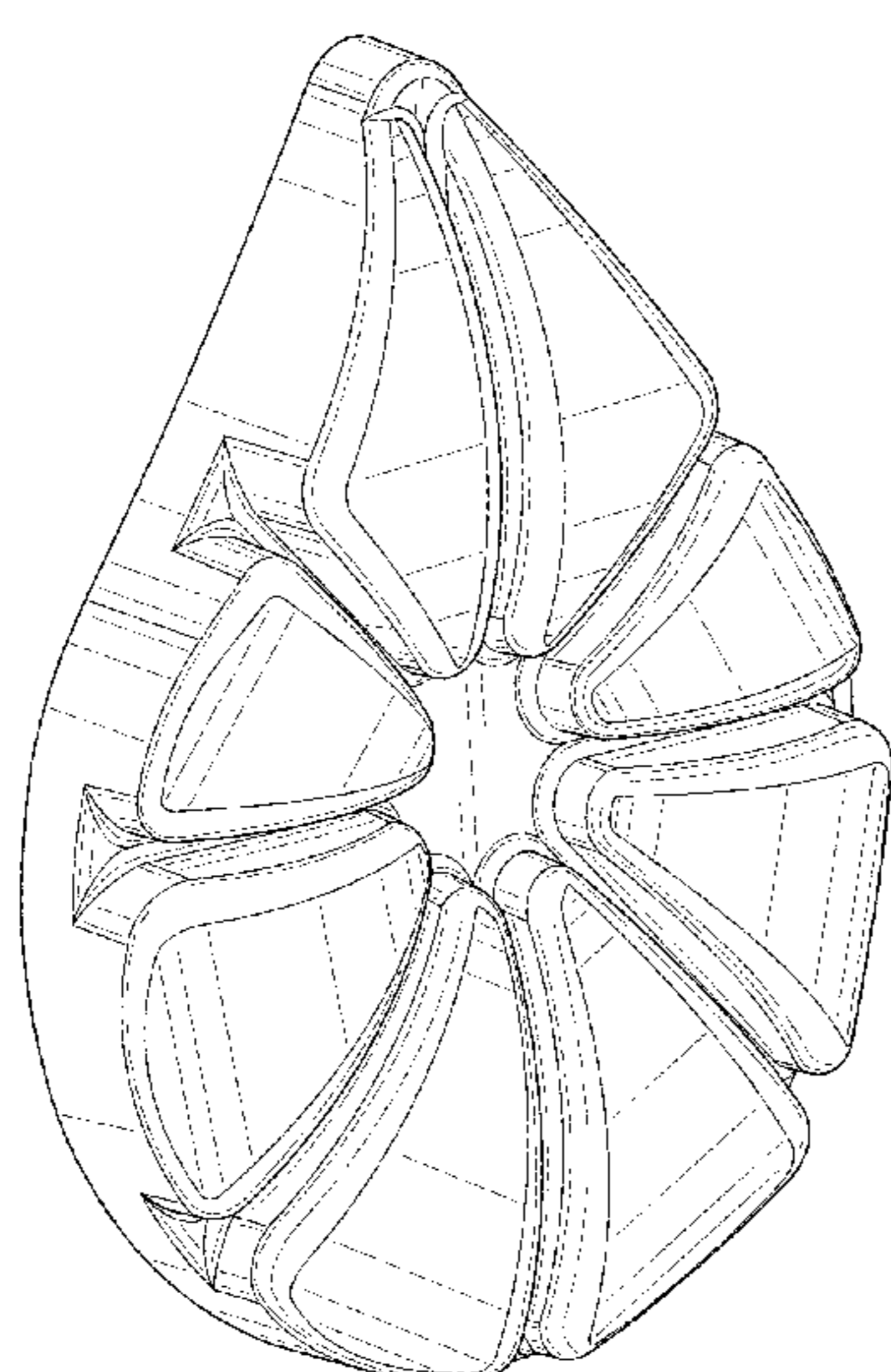
(57) **CLAIM**

The ornamental design for a wax drop, as shown and described.

**DESCRIPTION**

FIG. 1 is a front perspective view of a wax drop showing our new design;  
FIG. 2 is a front view thereof;  
FIG. 3 is a back view thereof;  
FIG. 4 is a left view thereof;  
FIG. 5 is a right view thereof;  
FIG. 6 is a top view thereof; and,  
FIG. 7 is a bottom view thereof.

**1 Claim, 7 Drawing Sheets**



(56)

**References Cited**

OTHER PUBLICATIONS

U.S. Appl. No. 29/575,434, filed Aug. 25, 2016, Fox, et al.  
U.S. Appl. No. 29/575,436, filed Aug. 25, 2016, Fox, et al.  
U.S. Appl. No. 29/575,437, filed Aug. 25, 2016, Fox, et al.  
U.S. Appl. No. 29/600,263, filed Apr. 11, 2017, Bumpass, et al.  
U.S. Appl. No. 29/600,265, filed Apr. 11, 2017, Bumpass, et al.  
Pan Aroma Scented Wax Melt Vanilla Breeze; available—<http://www.homestoreandmore.com/pan-aroma-scented-wax-melt-vanilla-breeze.html>; Downloaded Jul. 13, 2016.  
All Office Action for U.S. Appl. No. 15/246,740; P&G Case 14471.  
All Office Action for U.S. Appl. No. 29/575,434; P&G Case D2399.  
All Office Action for U.S. Appl. No. 29/575,436; P&G Case D2401.  
All Office Action for U.S. Appl. No. 29/575,437; P&G Case D2402.  
All Office Action for U.S. Appl. No. 29/600,263; P&G Case D2621.  
All Office Action for U.S. Appl. No. 29/600,265; P&G Case D2622.

\* cited by examiner

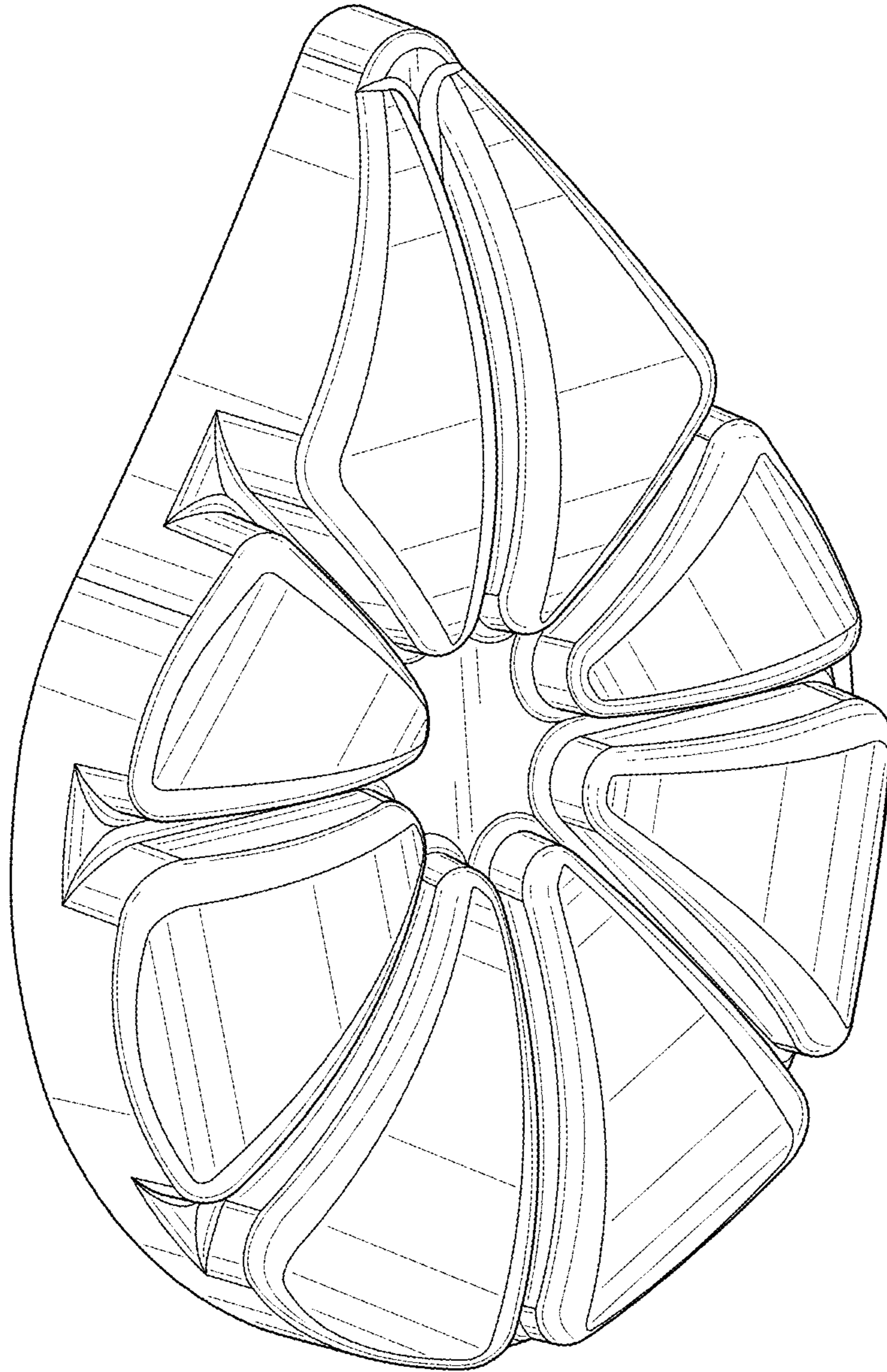


Fig. 1

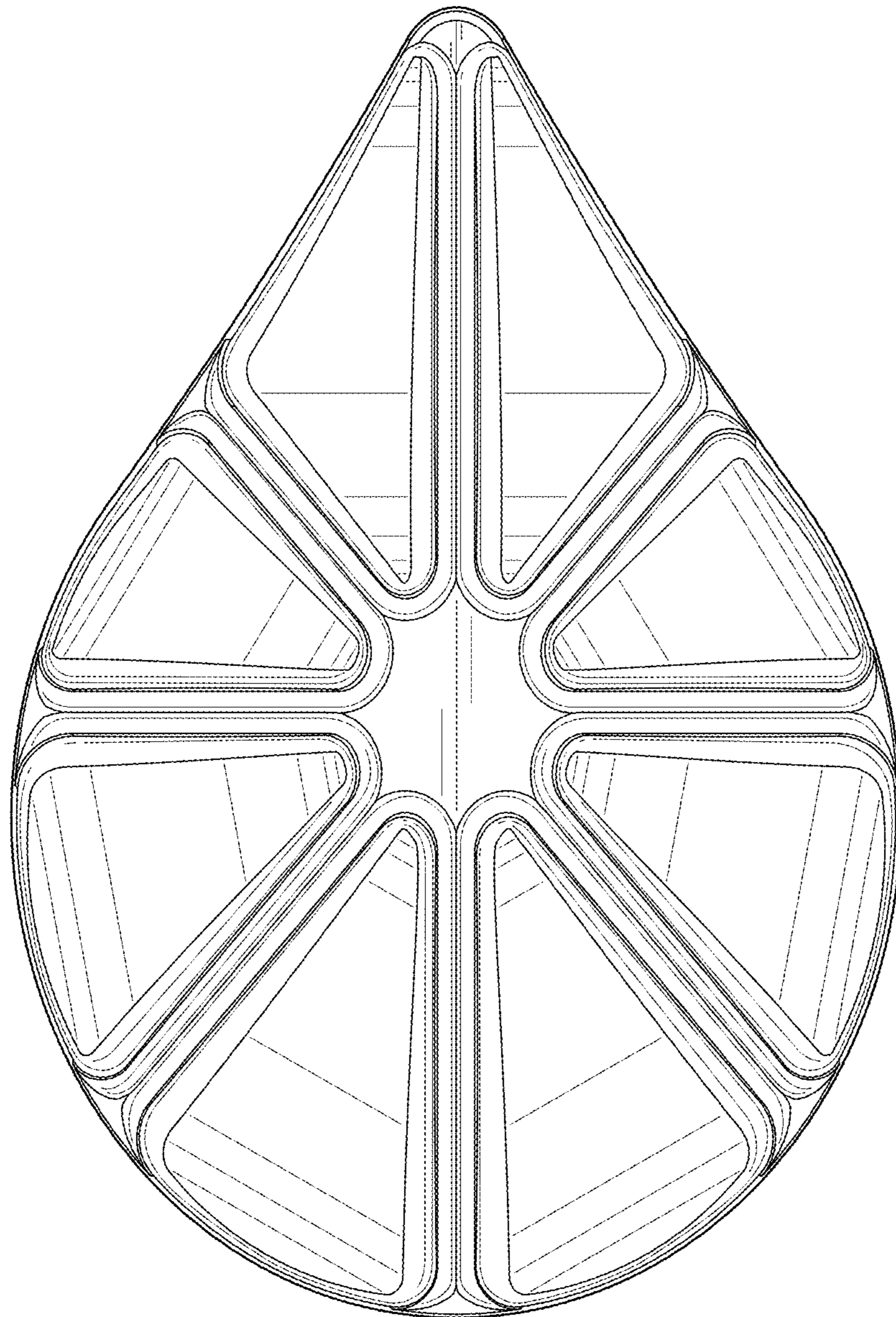


Fig. 2

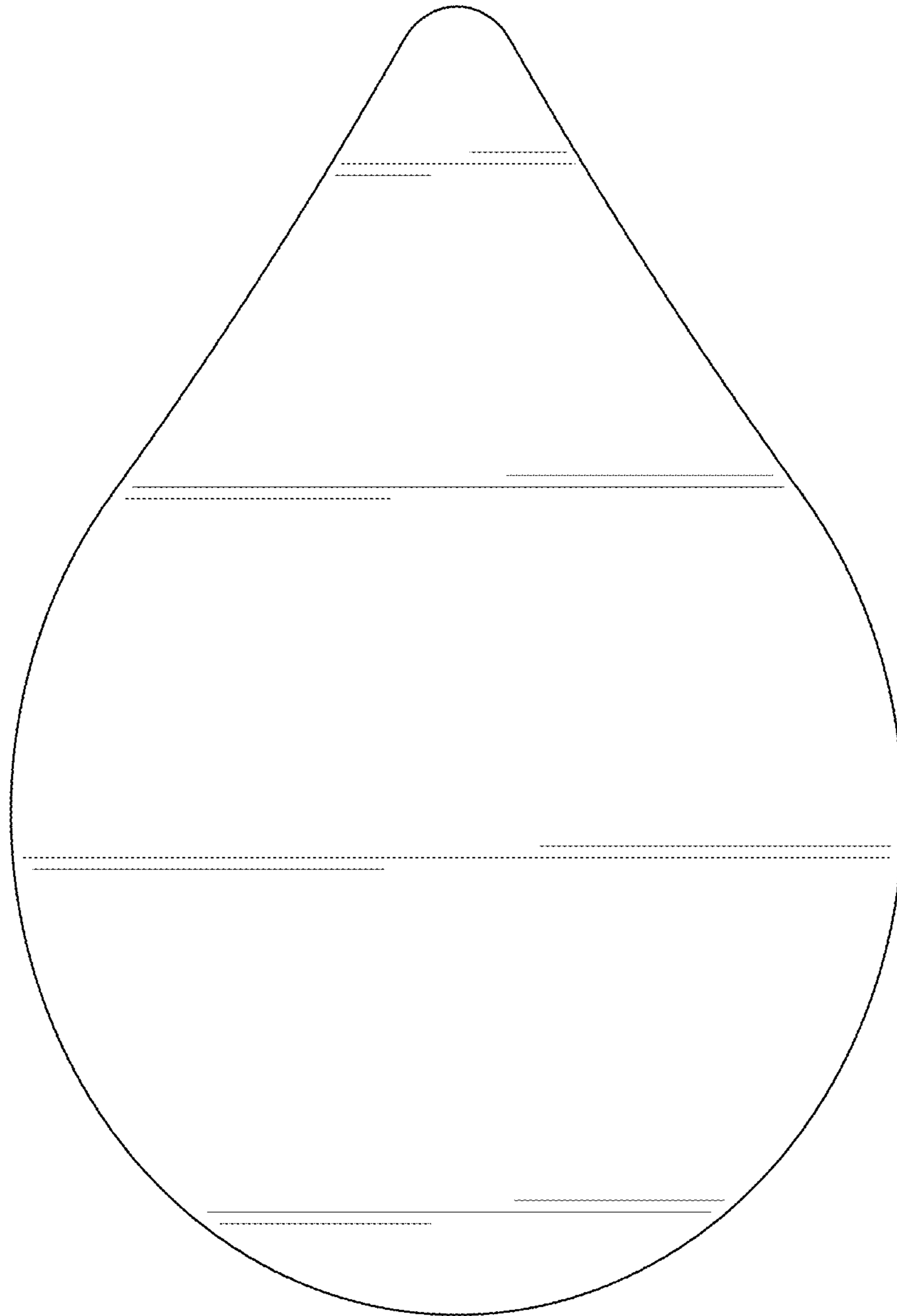


Fig. 3

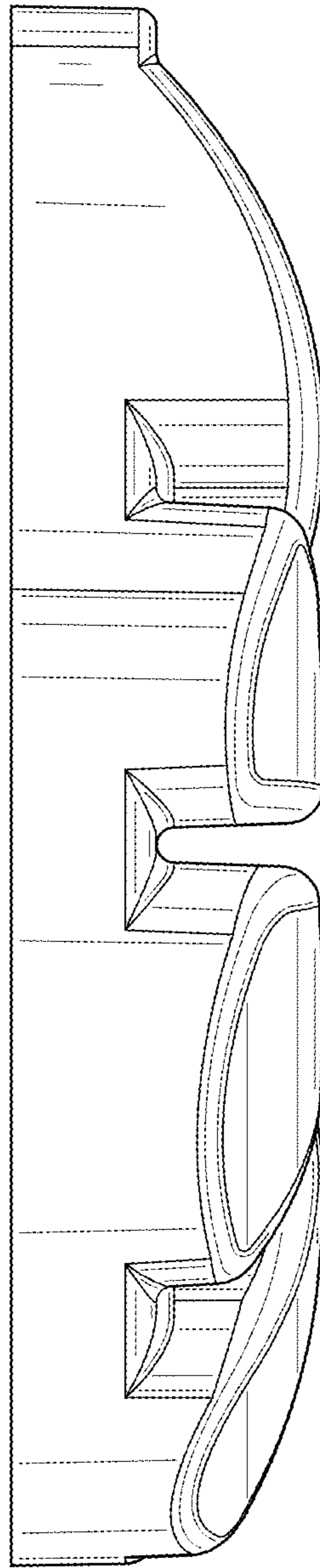


Fig. 4

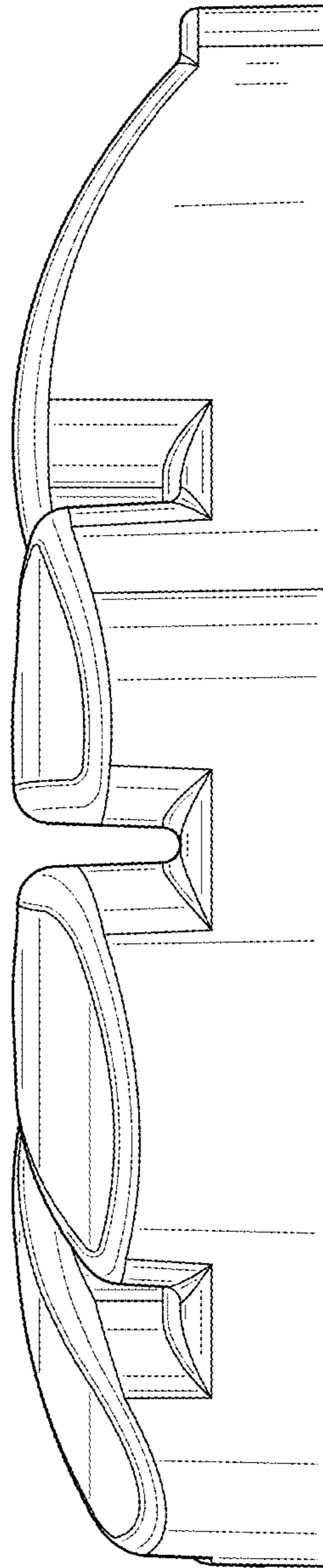


Fig. 5

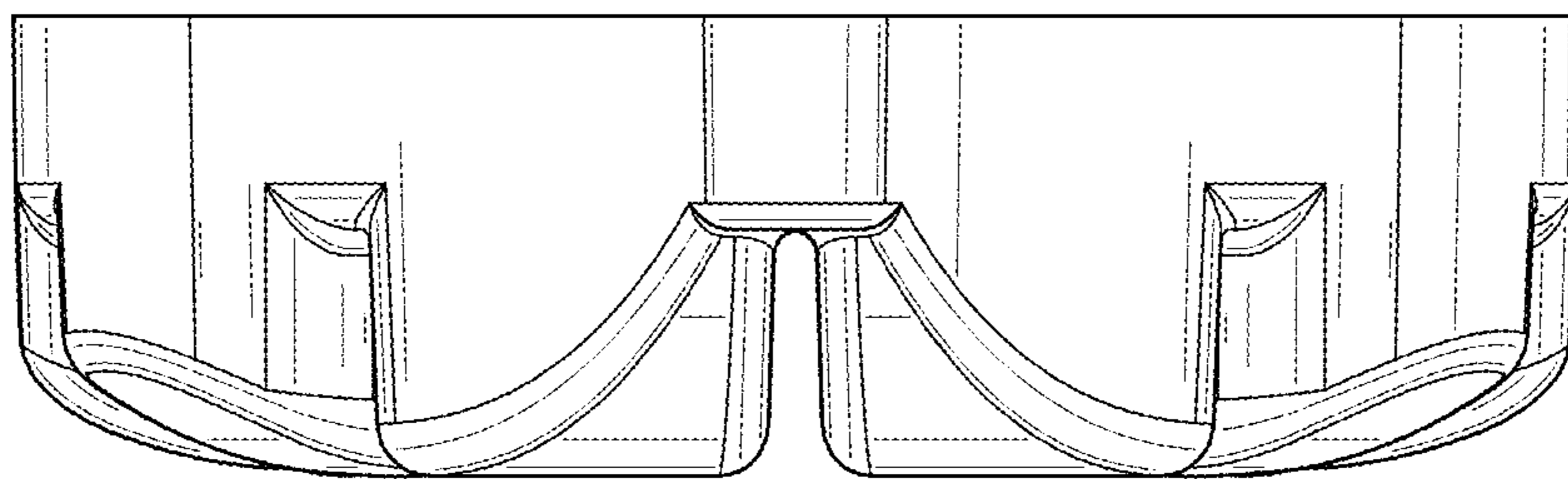


Fig. 6



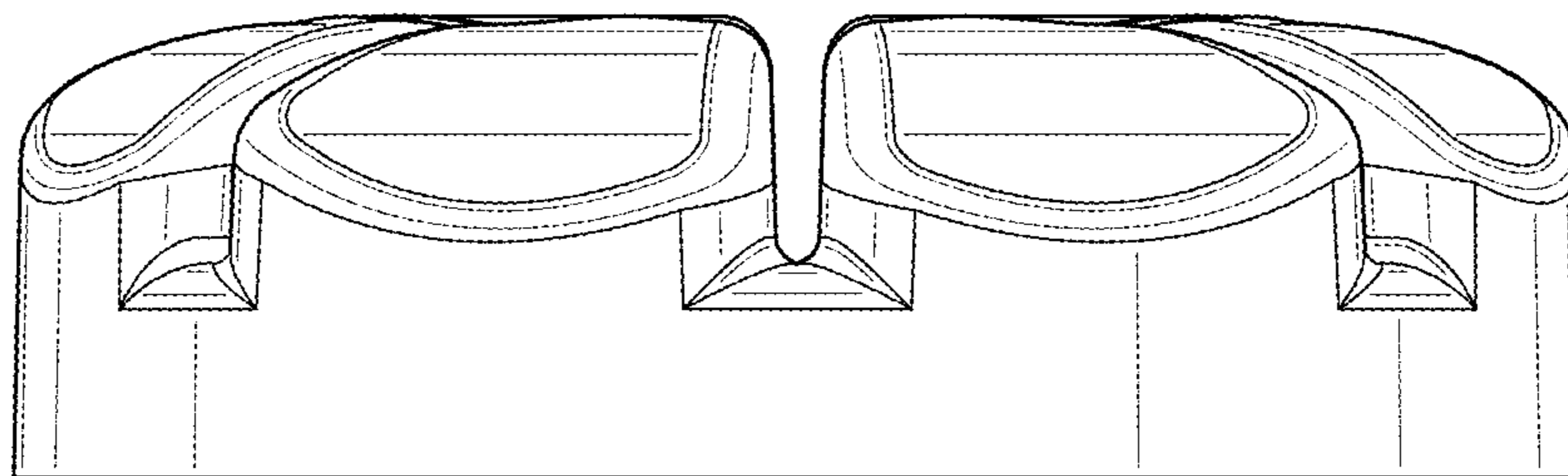


Fig. 7