



US00D827803S

(12) **United States Design Patent** (10) **Patent No.:** **US D827,803 S**  
**Fox et al.** (45) **Date of Patent:** **\*\* Sep. 4, 2018**

(54) **WAX FLOWER**

(71) Applicant: **The Procter & Gamble Company,**  
Cincinnati, OH (US)

(72) Inventors: **Sara Elizabeth Fox,** Cincinnati, OH  
(US); **Travis Propes,** Charleston, SC  
(US)

(73) Assignee: **The Procter & Gamble Company,**  
Cincinnati, OH (US)

(\*\*) Term: **15 Years**

(21) Appl. No.: **29/575,434**

(22) Filed: **Aug. 25, 2016**

(51) **LOC (11) Cl.** ..... **23-04**

(52) **U.S. Cl.**  
USPC ..... **D23/367; D23/366**

(58) **Field of Classification Search**  
USPC ..... D26/6, 7, 14, 16, 19; D1/100, 104, 106,  
D1/121, 127; D23/366, 367, 386;  
D28/8.1, 8.2  
CPC ..... C11D 17/0056; A47L 15/4436; A61K  
9/2072  
See application file for complete search history.

(56) **References Cited**

**U.S. PATENT DOCUMENTS**

|              |         |            |       |         |
|--------------|---------|------------|-------|---------|
| D298,063 S * | 10/1988 | Bussell    | ..... | D28/8.1 |
| D307,815 S * | 5/1990  | Parri      | ..... | D1/127  |
| D315,202 S * | 3/1991  | Kunze      | ..... | D23/366 |
| D334,420 S * | 3/1993  | Gladfelter | ..... | D23/207 |
| D375,181 S * | 11/1996 | Tourney    | ..... | D1/100  |
| D659,283 S * | 5/2012  | Caboen     | ..... | D28/8.1 |
| D681,270 S * | 4/2013  | Davis      | ..... | D28/8.1 |
| D683,243 S * | 5/2013  | Carson     | ..... | D9/732  |
| D698,866 S * | 2/2014  | Abdullah   | ..... | D19/77  |
| D706,517 S * | 6/2014  | Pearson    | ..... | D1/127  |
| D732,735 S * | 6/2015  | Nixon      | ..... | D28/8.1 |

|                   |         |          |       |                         |
|-------------------|---------|----------|-------|-------------------------|
| D743,736 S *      | 11/2015 | Hand     | ..... | D7/389                  |
| D757,392 S *      | 5/2016  | Boulton  | ..... | D1/121                  |
| D758,042 S *      | 6/2016  | Boulton  | ..... | D1/121                  |
| D765,235 S *      | 8/2016  | O’Kane   | ..... | D23/366                 |
| D765,825 S *      | 9/2016  | O’Kane   | ..... | D23/366                 |
| D765,942 S *      | 9/2016  | Boulton  | ..... | D1/121                  |
| D779,601 S *      | 2/2017  | Scholder | ..... | A63B 21/4039<br>D21/686 |
| D788,401 S *      | 6/2017  | Dingley  | ..... | D1/121                  |
| 2010/0326878 A1 * | 12/2010 | Mangino  | ..... | B65D 1/36<br>206/561    |

**FOREIGN PATENT DOCUMENTS**

WO WO 2015/116528 A1 8/2015

**OTHER PUBLICATIONS**

U.S. Appl. No. 15/246,740, filed Aug. 25, 2016, Fox, et al.  
U.S. Appl. No. 29/575,435, filed Aug. 25, 2016, Fox, et al.  
U.S. Appl. No. 29/575,436, filed Aug. 25, 2016, Fox, et al.

(Continued)

*Primary Examiner* — Brandon M Rosati

*Assistant Examiner* — Keith Frank

(74) *Attorney, Agent, or Firm* — Abbey A. Lopez

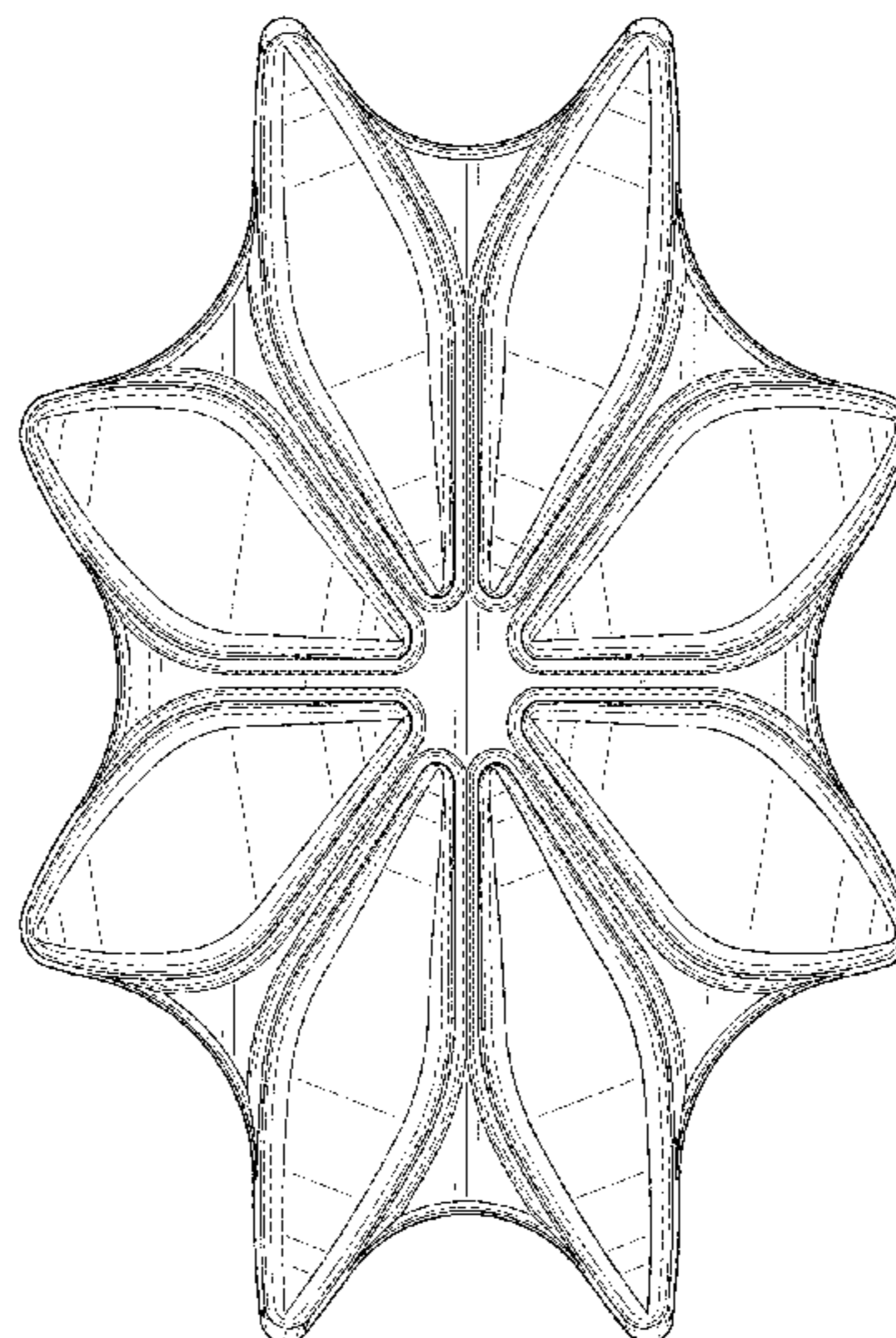
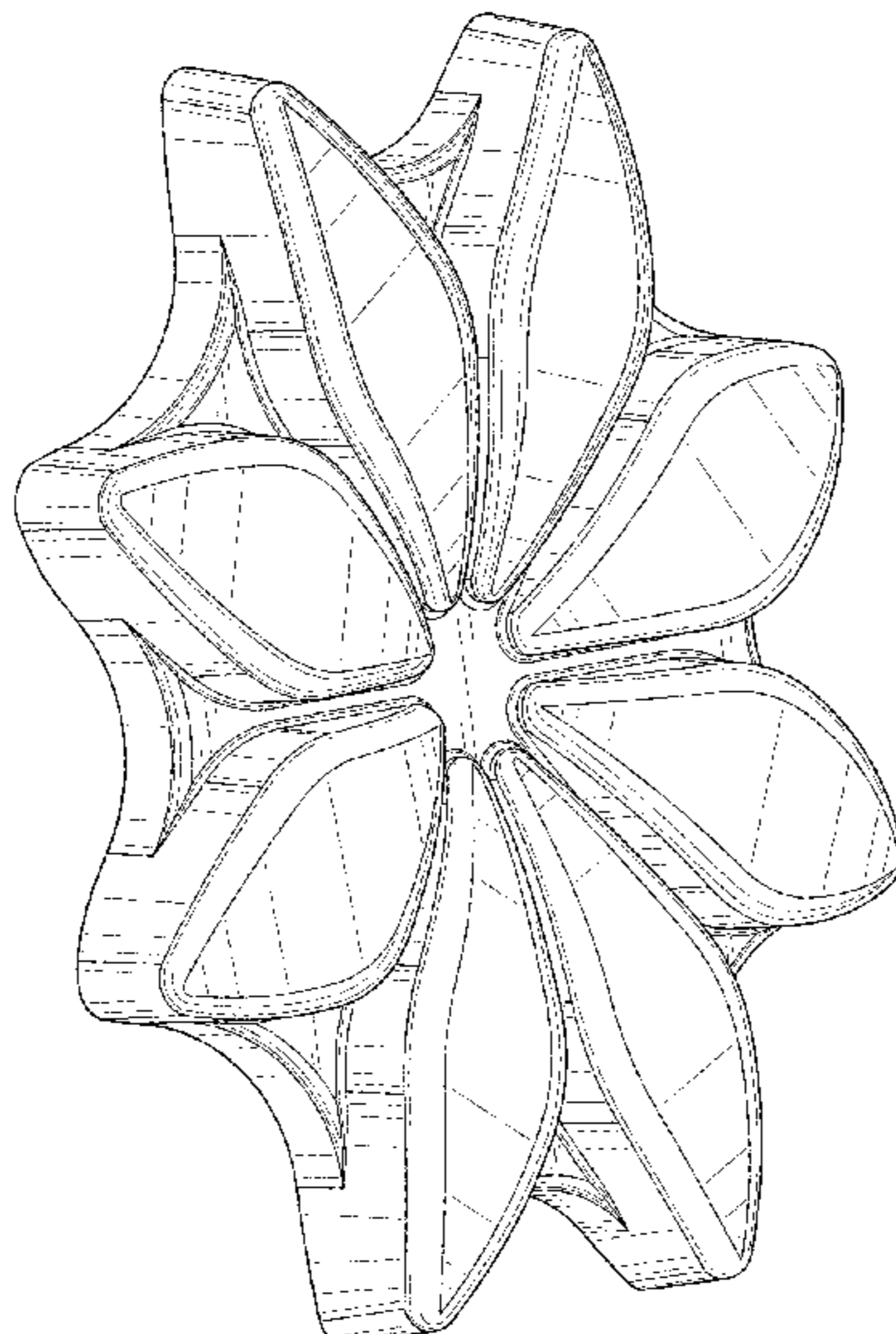
(57) **CLAIM**

We claim the ornamental design for a wax flower, as shown and described.

**DESCRIPTION**

FIG. 1 is a front perspective view of a wax flower showing our new design;  
FIG. 2 is a front view thereof;  
FIG. 3 is a back view thereof;  
FIG. 4 is a left view thereof;  
FIG. 5 is a right view thereof;  
FIG. 6 is a top view thereof; and,  
FIG. 7 is a bottom view thereof.

**1 Claim, 7 Drawing Sheets**



(56)

**References Cited**

OTHER PUBLICATIONS

U.S. Appl. No. 29/575,437, filed Aug. 25, 2016, Fox, et al.  
U.S. Appl. No. 29/600,263, filed Apr. 11, 2017, Bumpass, et al.  
U.S. Appl. No. 29/600,265, filed Apr. 11, 2017, Bumpass, et al.  
Pan Aroma Scented Wax Melt Vanilla Breeze; available—<http://www.homestoreandmore.com/wax-meltspan-aroma-scented-wax-melt-vanilla-breezeinv063695>; Downloaded Jul. 13, 2016.  
All Office Action for U.S. Appl. No. 15/246,740; P&G Case 14471.  
All Office Action for U.S. Appl. No. 29/575,435; P&G Case D2400.  
All Office Action for U.S. Appl. No. 29/575,436; P&G Case D2401.  
All Office Action for U.S. Appl. No. 29/575,437; P&G Case D2402.  
All Office Action for U.S. Appl. No. 29/600,263; P&G Case D2621.  
All Office Action for U.S. Appl. No. 29/600,265; P&G Case D2622.

\* cited by examiner

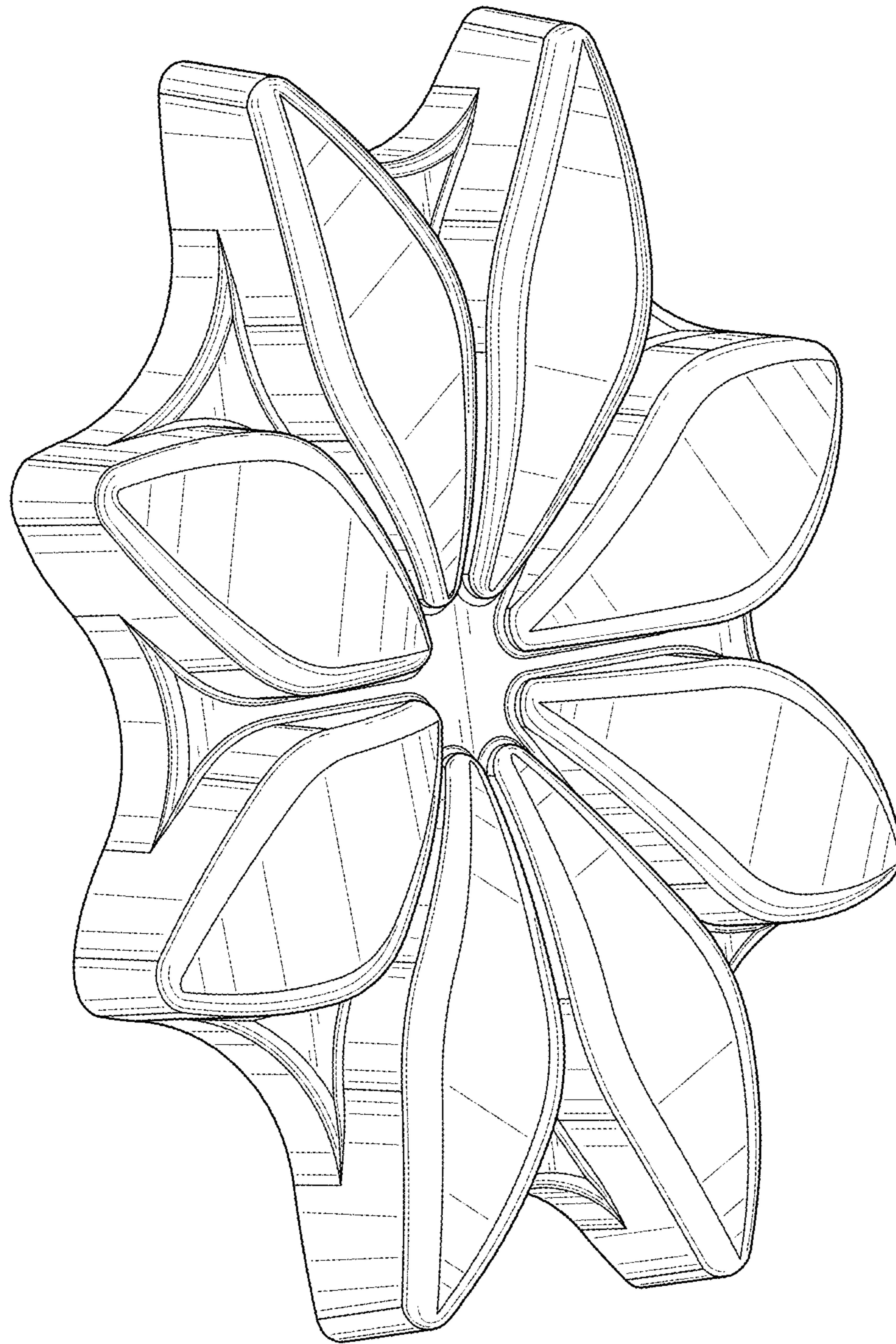


Fig. 1

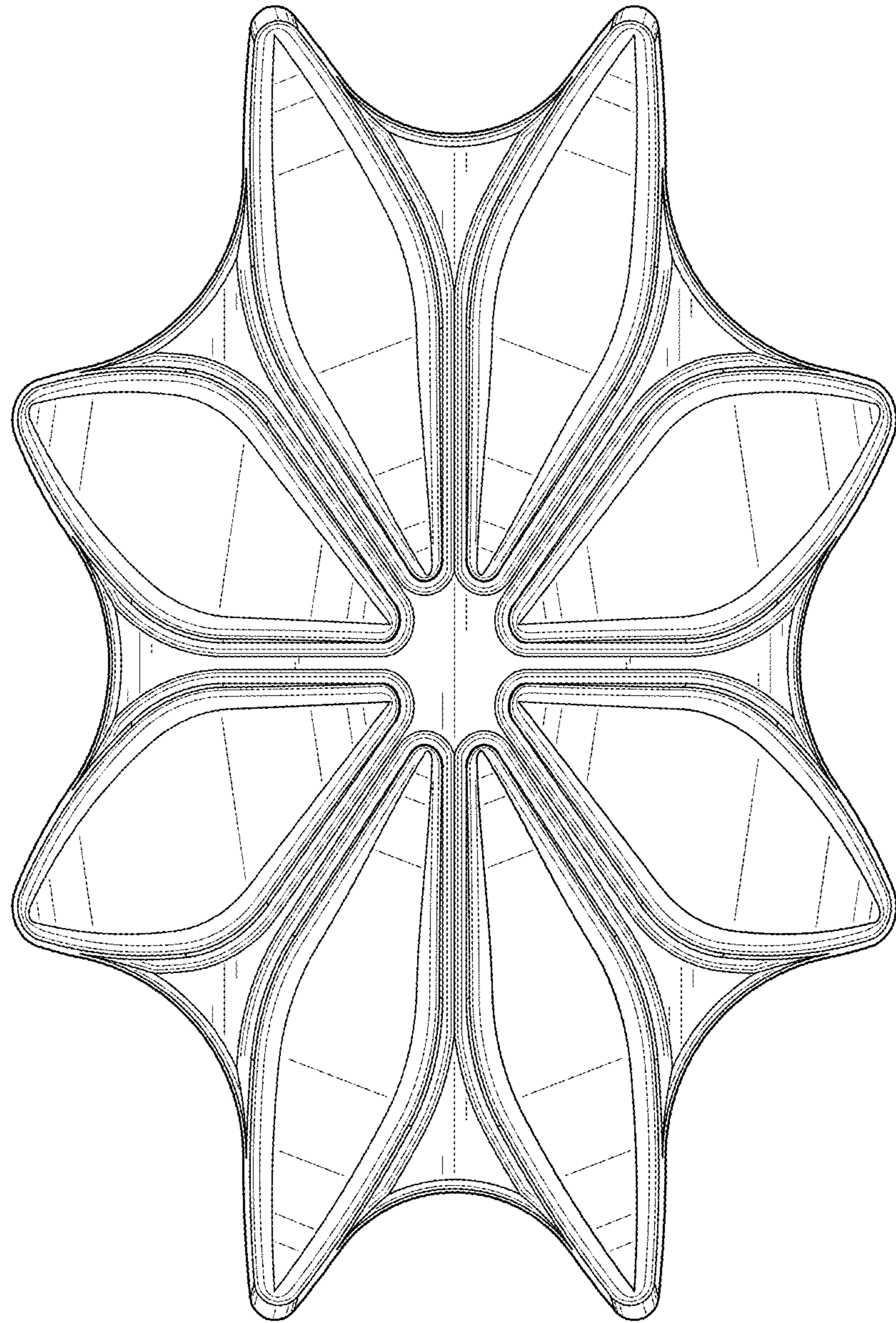


Fig. 2

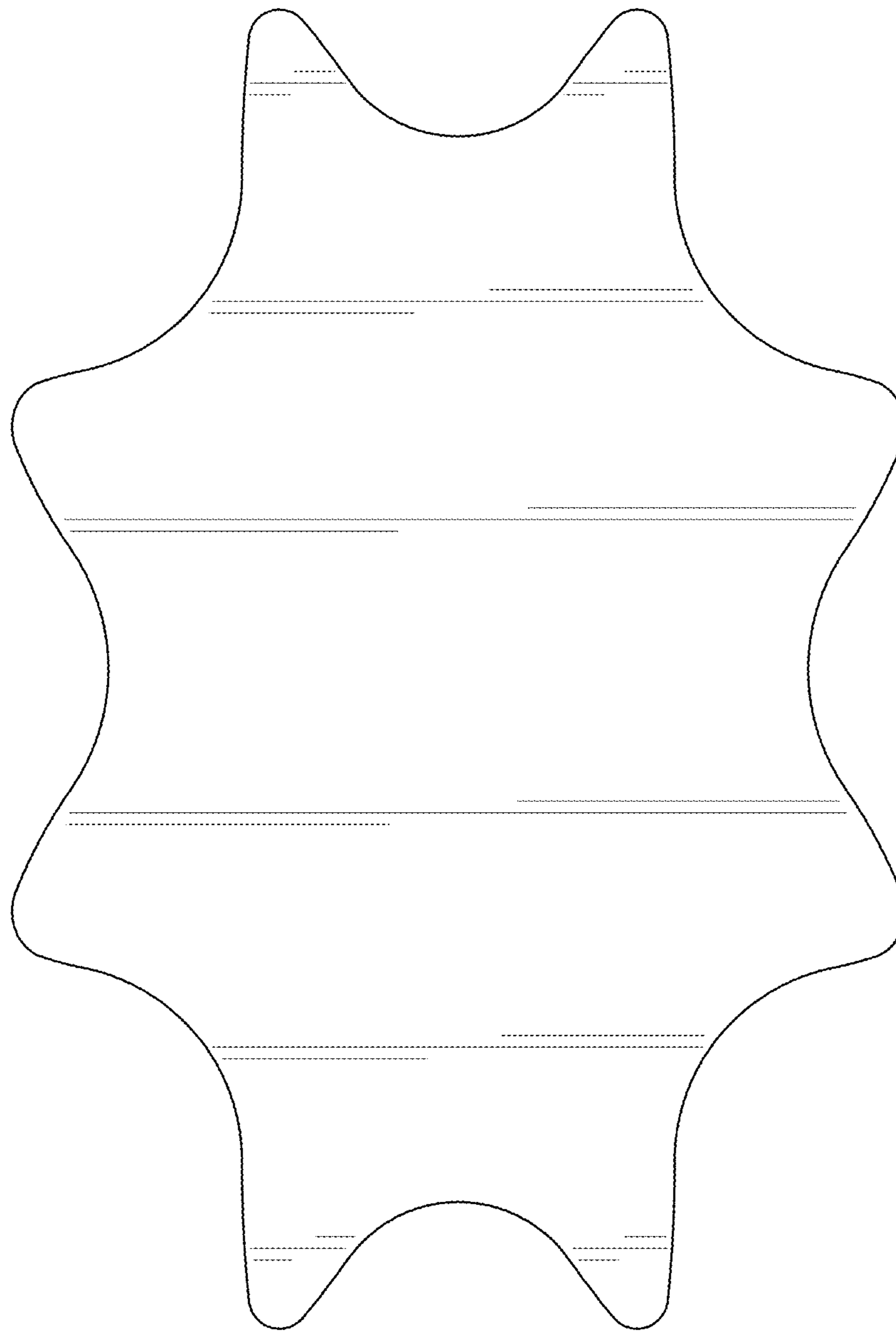


Fig. 3

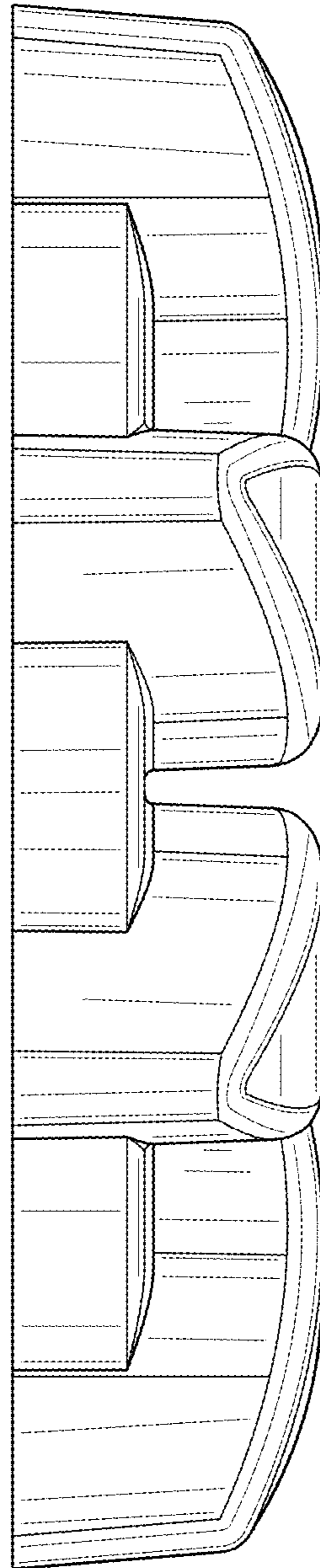


Fig. 4

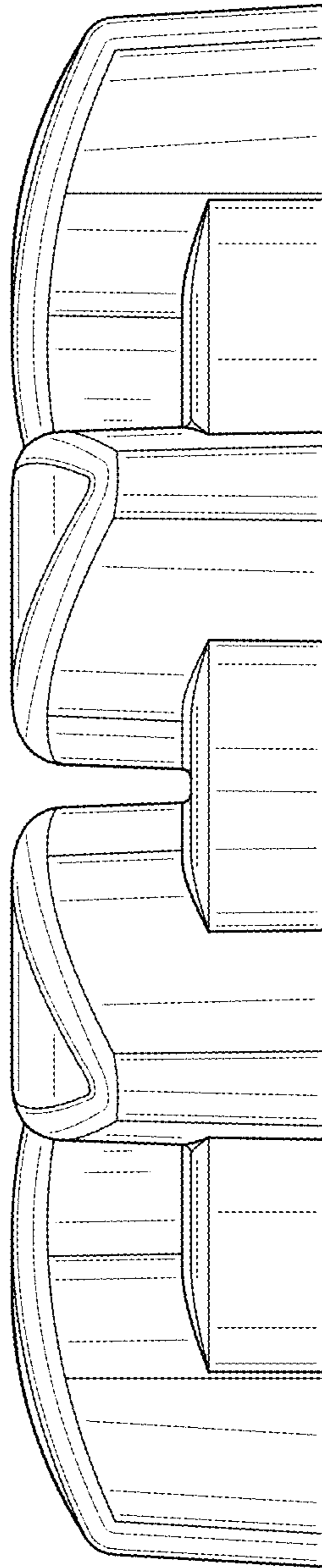


Fig. 5

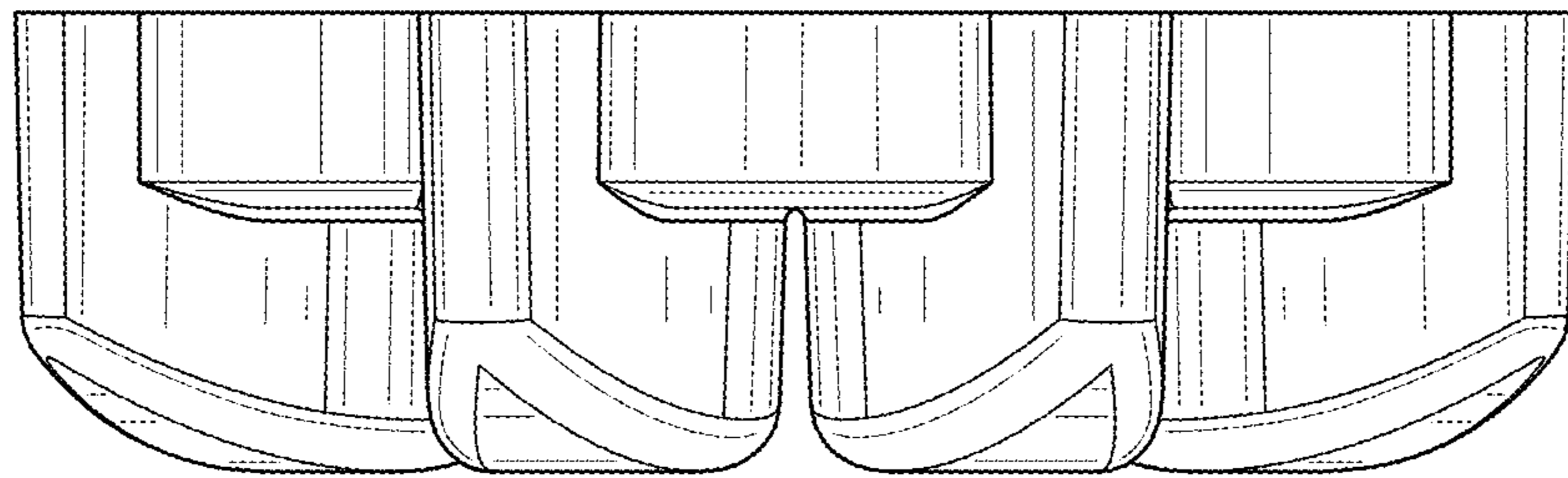


Fig. 6



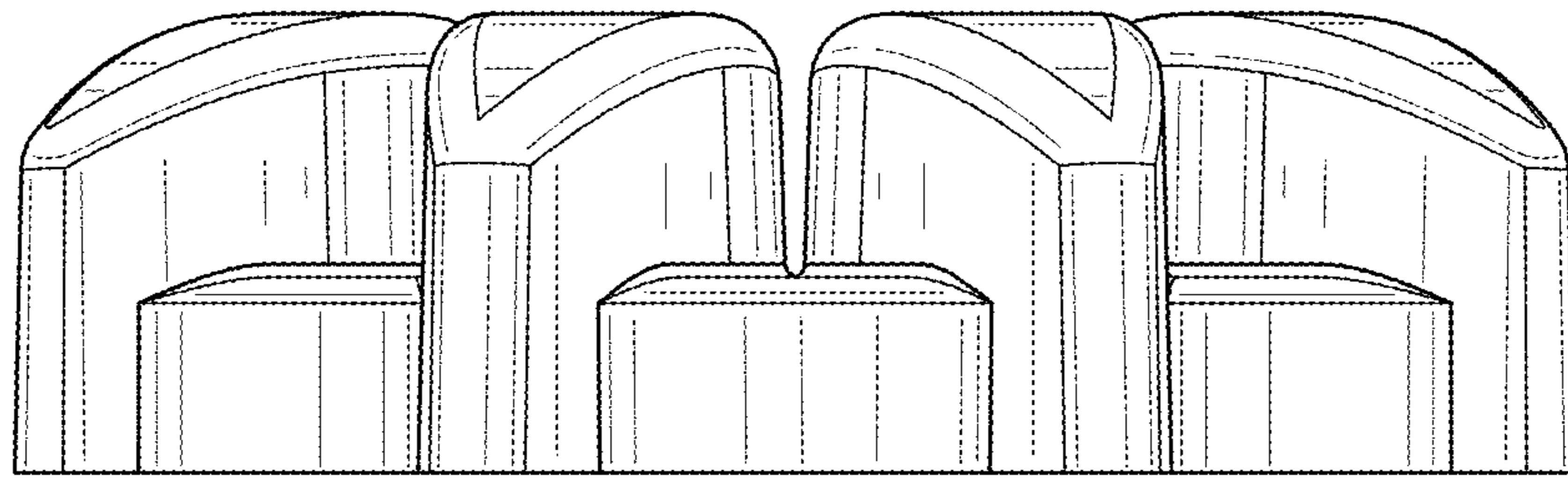


Fig. 7