



US00D827802S

(12) **United States Design Patent** (10) **Patent No.:** **US D827,802 S**
Chen (45) **Date of Patent:** **** Sep. 4, 2018**

(54) **OIL DIFFUSER**
(71) Applicant: **Xiaoyan Chen**, Guangdong (CN)
(72) Inventor: **Xiaoyan Chen**, Guangdong (CN)
(**) Term: **15 Years**
(21) Appl. No.: **29/604,664**
(22) Filed: **May 19, 2017**
(51) **LOC (11) Cl.** **23-04**
(52) **U.S. Cl.**
USPC **D23/366**
(58) **Field of Classification Search**
USPC D23/314, 325, 333–336, 355–367,
D23/386–388
CPC . A61L 9/03; A61L 9/012; A61L 9/015; A61L
9/037
See application file for complete search history.

(56) **References Cited**

U.S. PATENT DOCUMENTS

D221,763 S 9/1971 Gilbertson
D280,927 S 10/1985 Iwasaki et al.
4,610,394 A * 9/1986 Bryson A61L 9/12
220/4.23
D288,714 S 3/1987 Wilson et al.
D293,366 S 12/1987 O’Neil, Jr. et al.
D364,677 S * 11/1995 Cheng D23/366
D400,663 S * 11/1998 Furlough D23/366
D434,843 S * 12/2000 Zaragoza D23/366
D438,298 S 2/2001 McNutt et al.
D449,371 S 10/2001 Bornstein et al.
D493,874 S * 8/2004 Woods D23/364
D513,797 S 1/2006 Wang
D527,448 S 8/2006 Ku
D535,379 S 1/2007 Hundertmark
D536,431 S 2/2007 Campbell et al.
D583,452 S 12/2008 Aloe et al.
D598,527 S 8/2009 Fitsch
D604,824 S 11/2009 Paolazzi et al.

D634,417 S 3/2011 Abbondanzio et al.
D654,581 S 2/2012 Defflorian et al.
D675,304 S 1/2013 Valentino et al.
D681,791 S * 5/2013 Jorgensen D23/366
D689,997 S 9/2013 Caroen et al.
D691,255 S 10/2013 Abbondanzio et al.
D706,915 S 6/2014 Suzuki
D707,338 S 6/2014 Ediger et al.
D715,911 S 10/2014 Lin
D716,427 S * 10/2014 Lim D23/364
D716,432 S 10/2014 Viala et al.
9,125,396 B1 * 9/2015 Ripka A61L 9/04
D752,732 S 3/2016 Ansley et al.

(Continued)

OTHER PUBLICATIONS

U.S. Trademark Registration No. 5261996; Mark—ONEPURE
Filing date: Mar. 14, 2016 Publication date: Dec. 27, 2016.

(Continued)

Primary Examiner — Brandon M Rosati

Assistant Examiner — John A Voytek

(74) *Attorney, Agent, or Firm* — Raj Abhyankar, P.C.

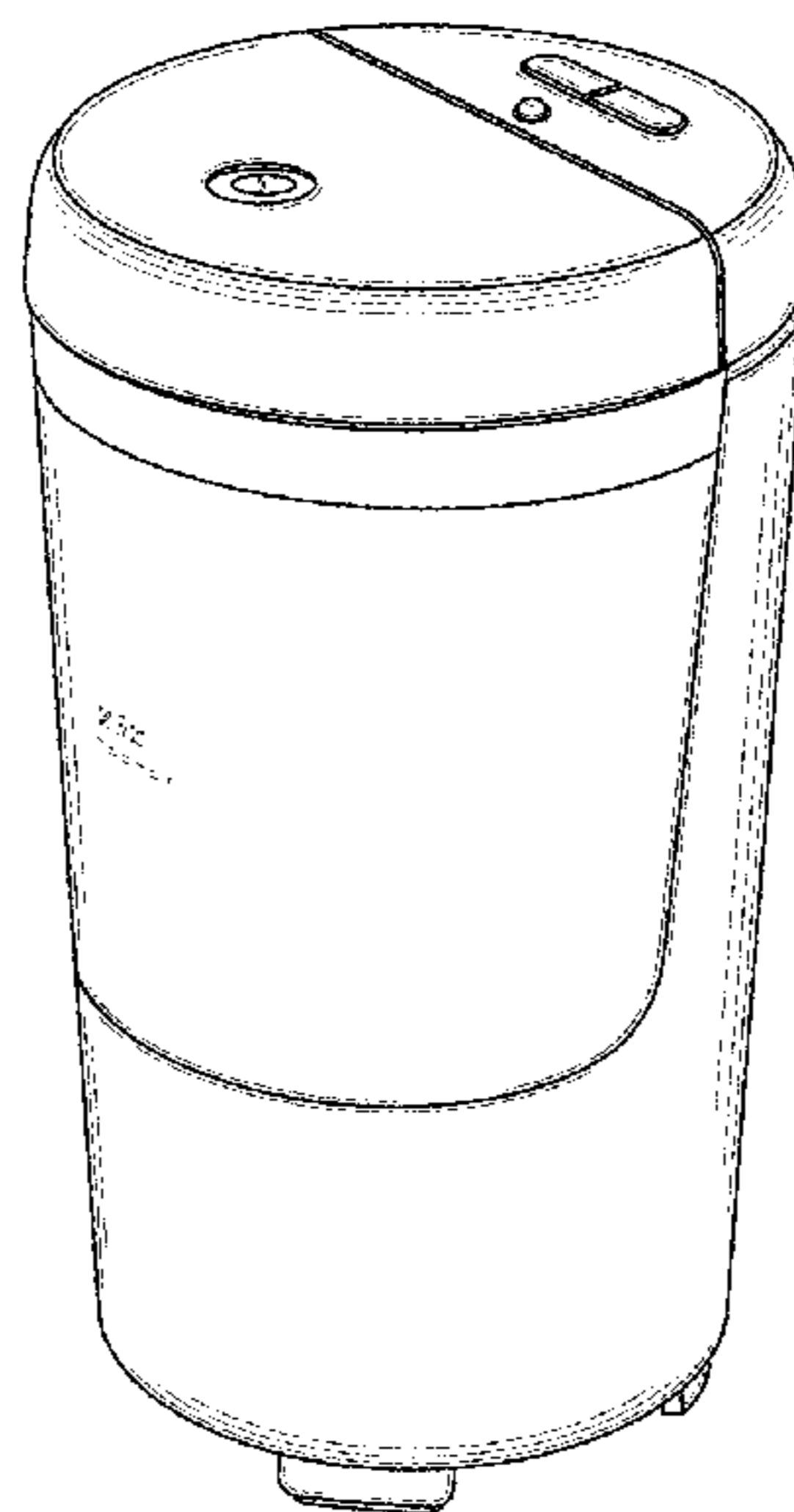
(57) **CLAIM**

The ornamental design for an oil diffuser, as shown and described.

DESCRIPTION

FIG. 1 is a front, top-right perspective view for an oil diffuser, showing my new design;
FIG. 2 is a front elevational view of FIG. 1 thereof;
FIG. 3 is a rear elevational view of FIG. 1 thereof;
FIG. 4 is a left side elevational view of FIG. 1 thereof;
FIG. 5 is a right side elevational view of FIG. 1 thereof;
FIG. 6 is a top plan view of FIG. 1 thereof; and,
FIG. 7 is a bottom plan view of FIG. 1 thereof.
The broken lines indicate unclaimed portions of the design and form no part of the claimed design.

1 Claim, 7 Drawing Sheets



(56)

References Cited

U.S. PATENT DOCUMENTS

D757,921 S	5/2016	Li	
D764,042 S	8/2016	Servaire	
D764,650 S	8/2016	Sanders et al.	
D768,834 S	10/2016	Schuller et al.	
D787,657 S	5/2017	Farone et al.	
D788,280 S	5/2017	Shah et al.	
D788,897 S	6/2017	Lee	
D797,270 S	9/2017	McDonnell	
D806,843 S *	1/2018	McDonnell	D23/355
D807,226 S *	1/2018	Wessel	D11/131.1
D810,260 S *	2/2018	Sevy	D23/366
D810,265 S *	2/2018	Chen	D23/366

OTHER PUBLICATIONS

U.S. Trademark Registration No. 5257709; Mark—SYNTUS Filing date: Aug. 2, 2016 Publication date: Dec. 27, 2016.
 U.S. Trademark Registration No. 5272504; Mark—ZENCO Filing date: Jun. 21, 2016 Publication date: Nov. 22, 2016.
 U.S. Trademark Registration Registration No. 4901339; Mark—INNOGEAR Filing date: Jul 9, 2015 Publication date: Dec. 1, 2015.
 U.S. Trademark Serial No. 87045870; Mark—KOOTEK Filing date: May 21, 2016 Publication date: May 16, 2017.
 U.S. Trademark Registration No. 5075136; Mark—ONEPURE Filing date: Jan. 26, 2016 Publication date: Jun. 21, 2016.
 U.S. Trademark Registration No. 5302554; Mark—PUROMA Filing date: May 19, 2016 Publication date: Jan. 3, 2017.
 U.S. Trademark Registration No. 5214234; Mark—INNOPURE Filing date: Dec. 14, 2016 Publication date: Mar. 14, 2017.

“USB Car Essential Oil Diffuser Mini Portable Aromatherapy Aroma Fragrance Humidifier”, by Syntus, Found Online [Jun. 10, 2017] <https://images-na.ssl-images-amazon.com/images/I/41EU2n8Y3-L.jpg>.
 “USB Aromatherapy Essential Oil Diffuser Portable Aroma Humidifier”, by InnoGear, Found Online [Jun. 10, 2017] <http://www.innogear.net/wp-content/uploads/2017/02/70ml-diffuser1.jpg>.
 “Real Bamboo Essential Oil Diffuser Ultrasonic Aromatherapy Diffuser”, by InnoGear, Found Online [Jun. 10, 2017] <http://www.innogear.net/wp-content/uploads/2017/02/bamboo-diffuser1.jpg>.
 “USB Car Essential Oil Diffuser Air Refresher Ultrasonic Aromatherapy Diffuser”, by InnoGear, Found Online [Jun. 10, 2017] <http://www.innogear.net/wp-content/uploads/2017/01/InnoGear-USB-Car-Essential-Oil-Diffuser-Air-Refresher-Ultrasonic-Aromatherapy-Diffusers-a.jpg>.
 “Ultrasonic Aromatherapy Diffuser”, by Everyone, Found Online [Jun. 10, 2017] https://cdn.eoproducts.com/catalog/product/cache/1/image/600x600/9df78eab33525d08d6e5fb8d27136e95/e/v/everyone_diffuser.jpg.
 “SPA210 Ultrasonic Cool Mist Aromatherapy Essential Oil Diffuser”, by PureGuardian, Found Online [Jun. 10, 2017] <https://www.walmart.com/ip/PureGuardian-SPA210-Ultrasonic-Cool-Mist-Aromatherapy-Essential-Oil-Diffuser-with-Touch-Controls/43806104>.
 “Willow Forest Oil Diffuser”, by Serene Living, Found Online [Jun. 10, 2017] <https://pull02-readystore.netdna-ssl.com/media/catalog/product/cache/1/image/9df78eab33525d08d6e5fb8d27136e95/w/i/willow-forest-oil-diffuser.jpg>.
 “USB Essential Oil Diffuser”, by AromaSense, Found Online [Jun. 10, 2017] <https://aromasense.co.nz/wp-content/uploads/usb-essential-oil-diffuser-gold-600x400.jpg>.

* cited by examiner

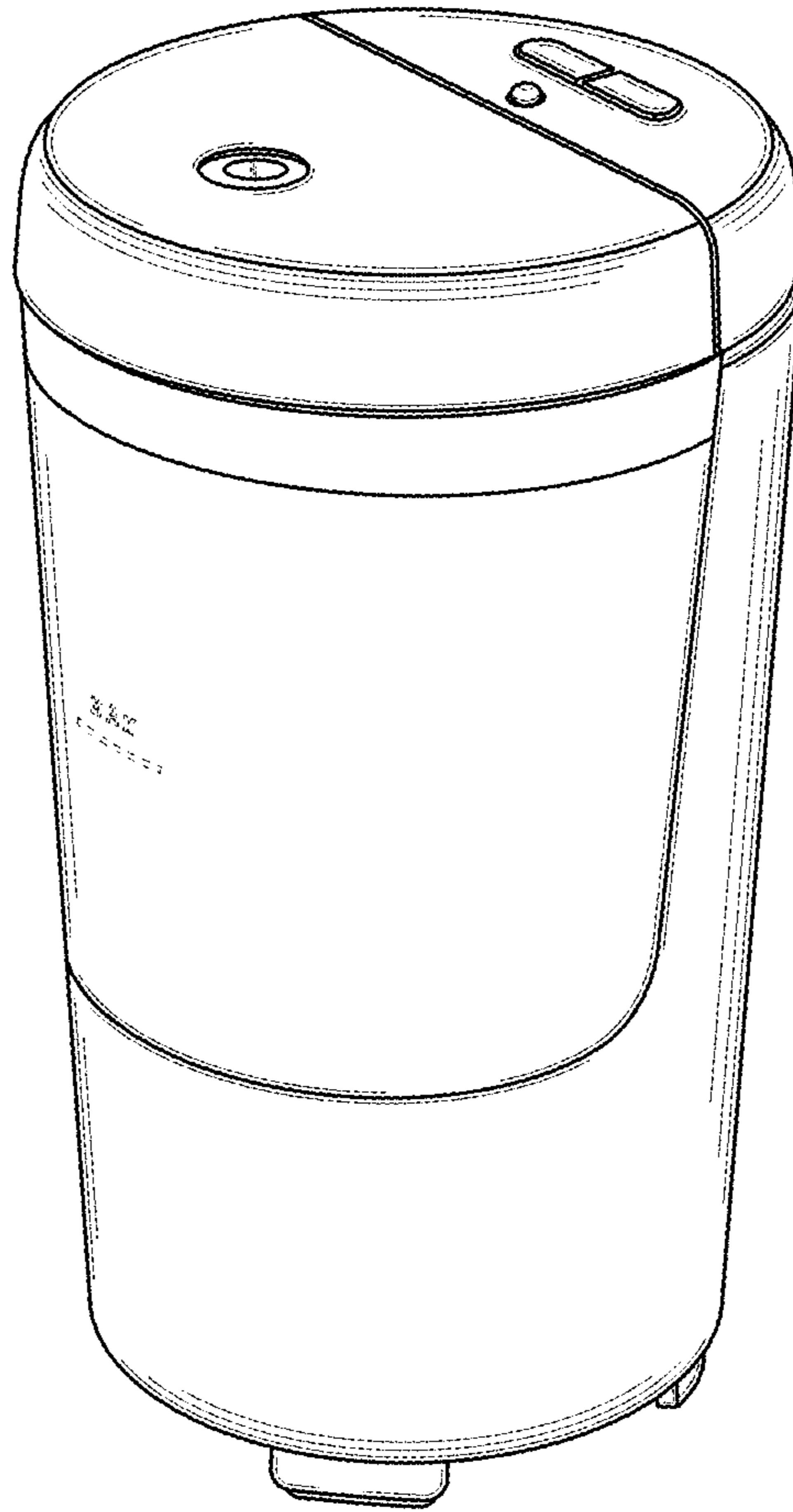


FIG. 1

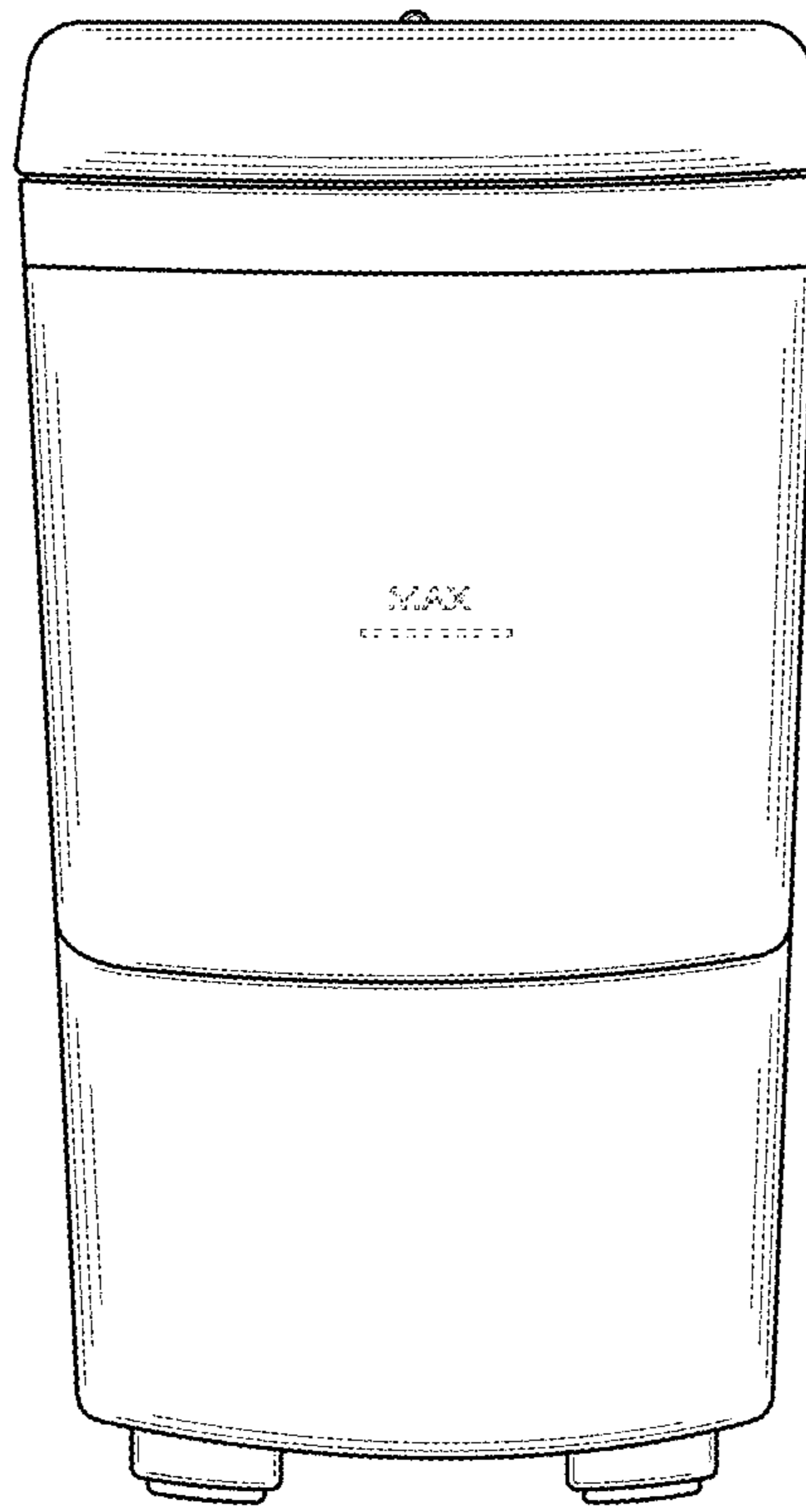


FIG. 2

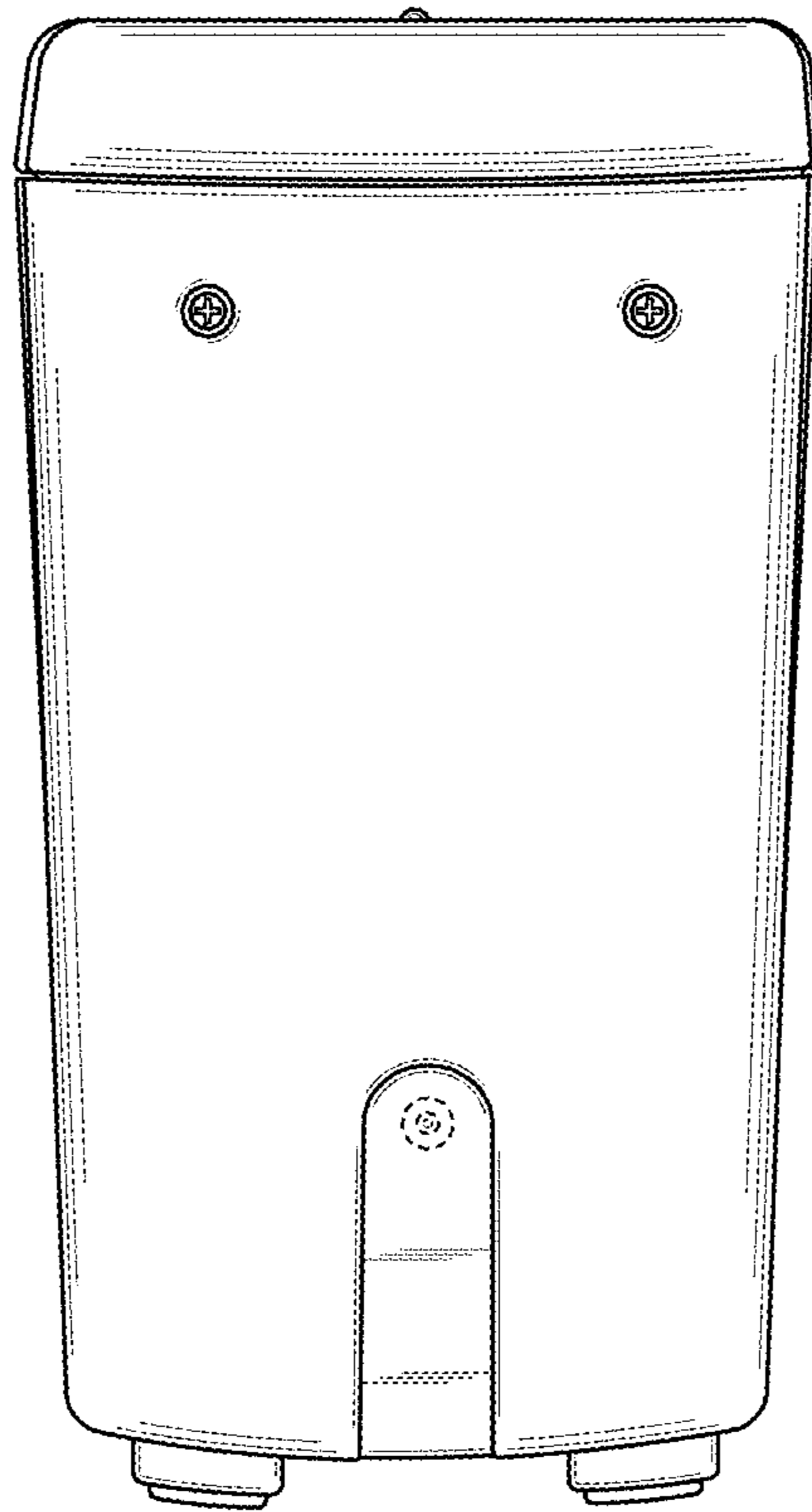


FIG. 3

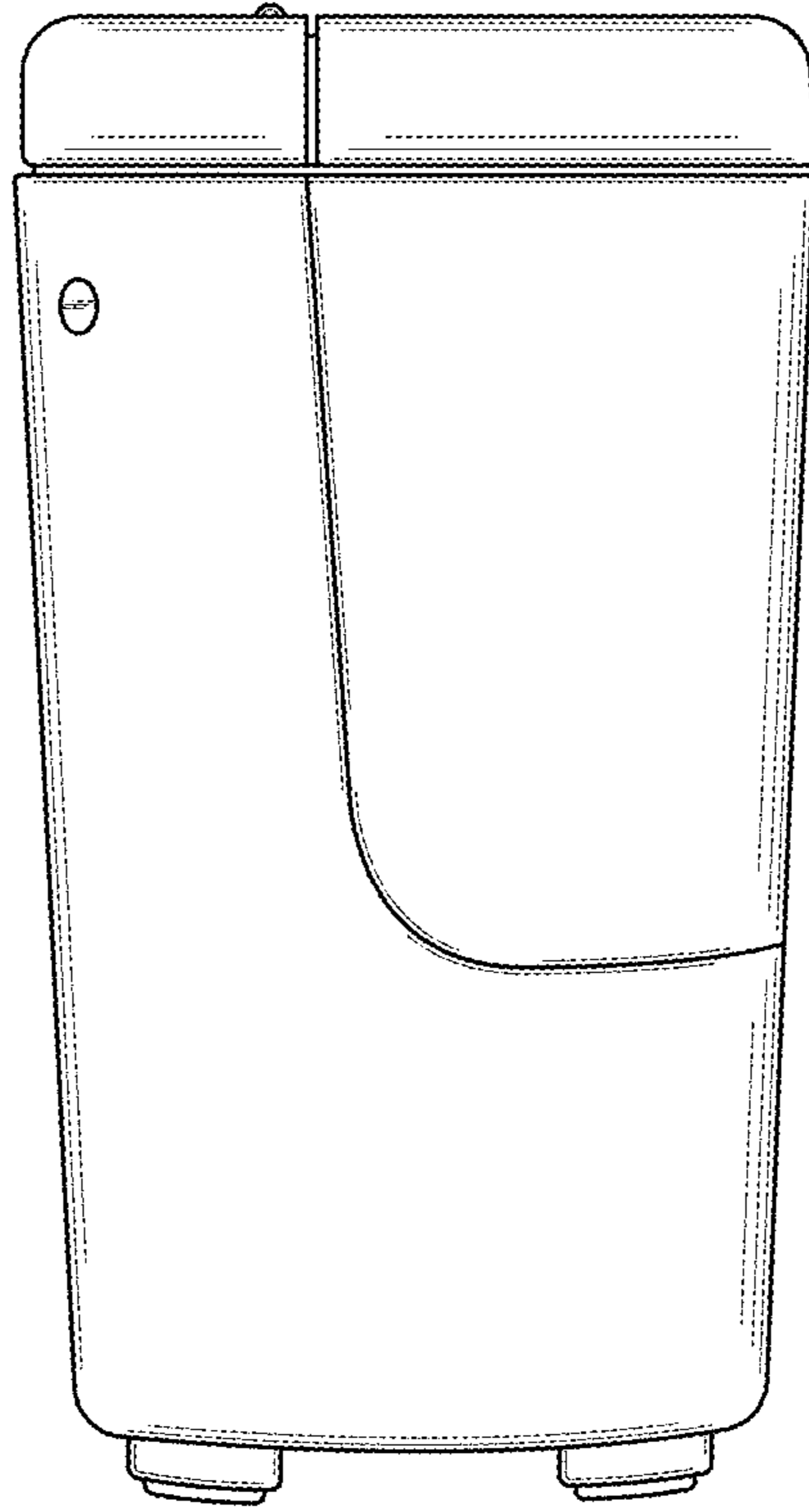


FIG. 4

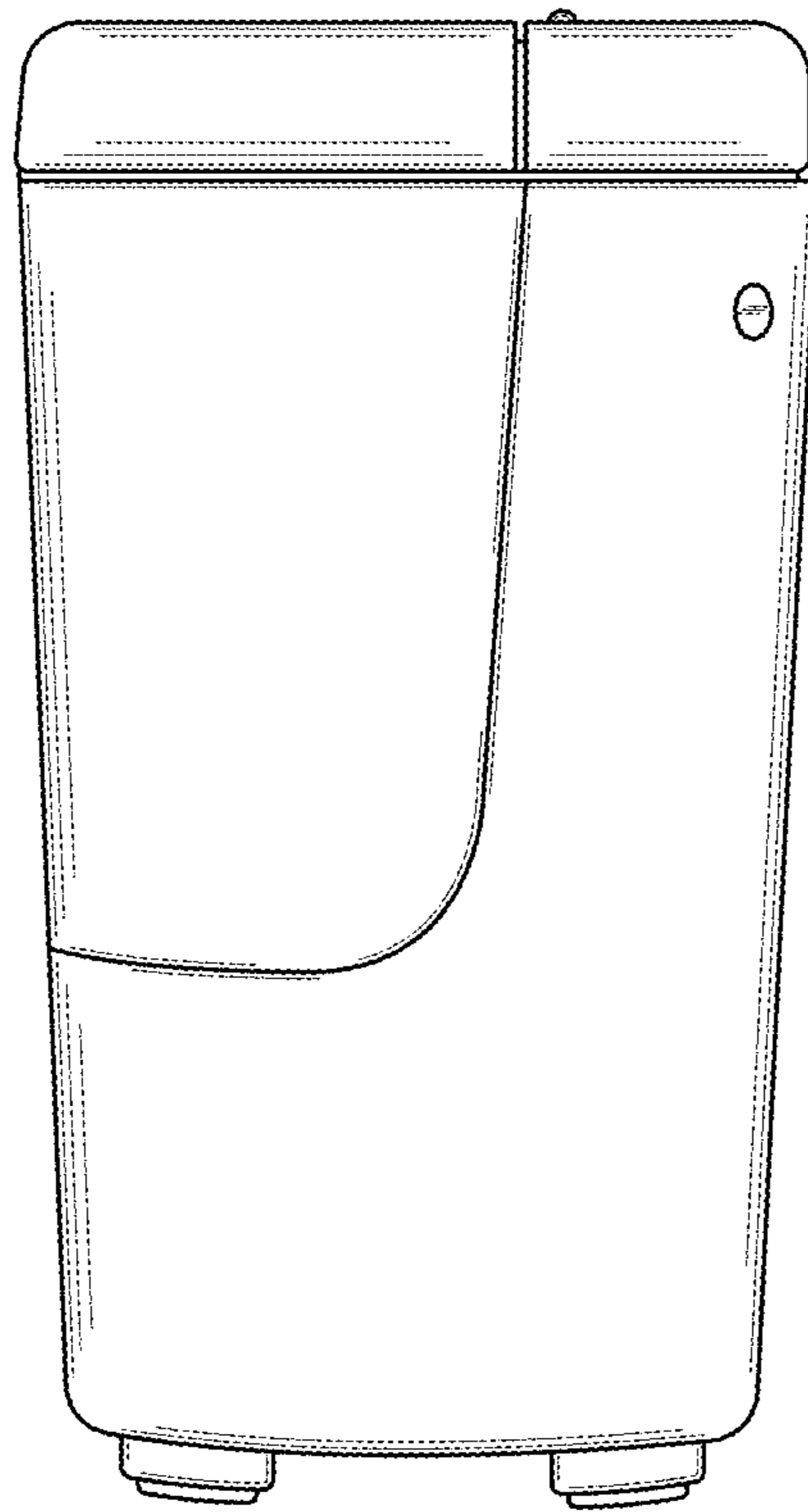


FIG. 5

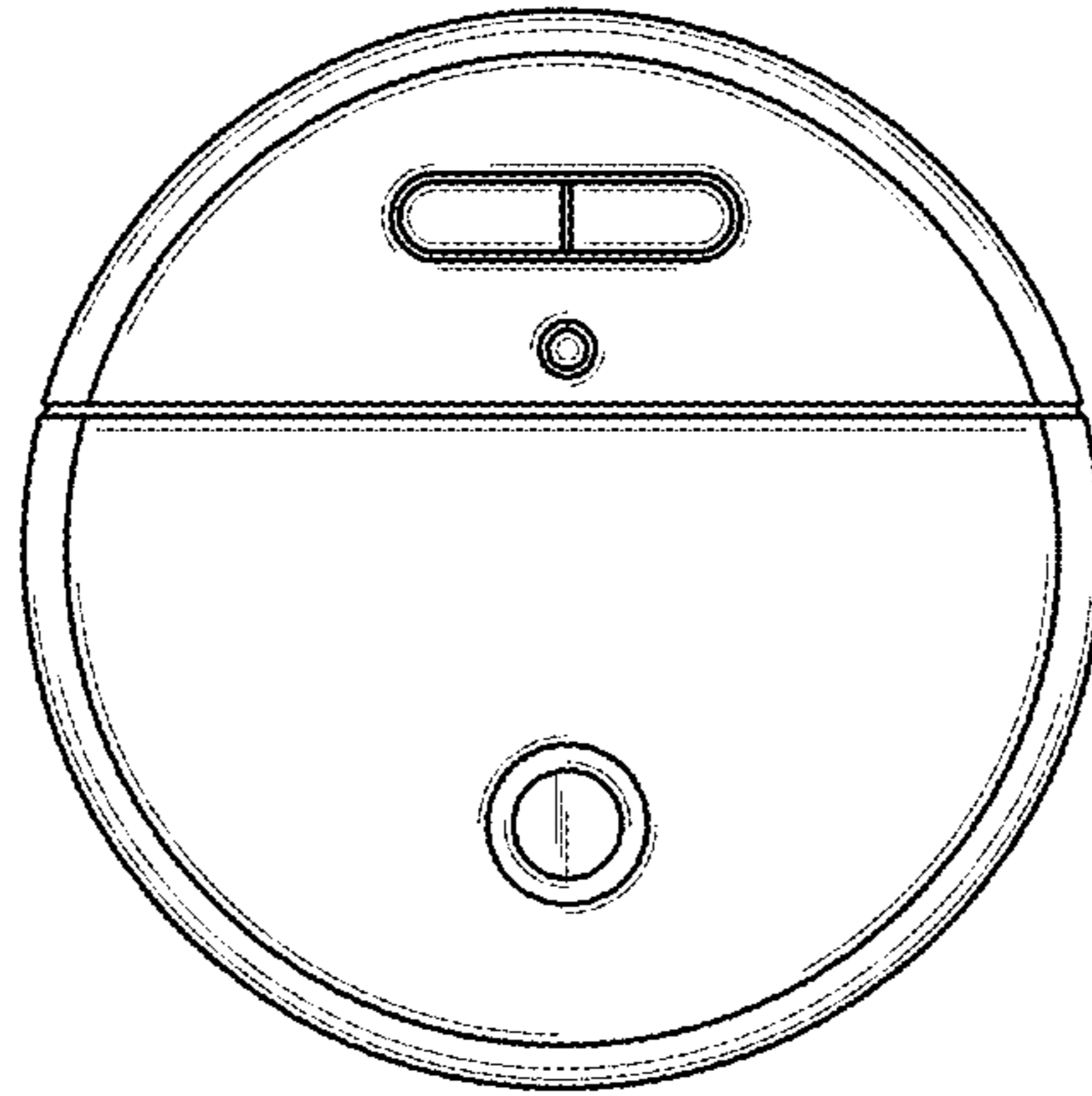


FIG. 6

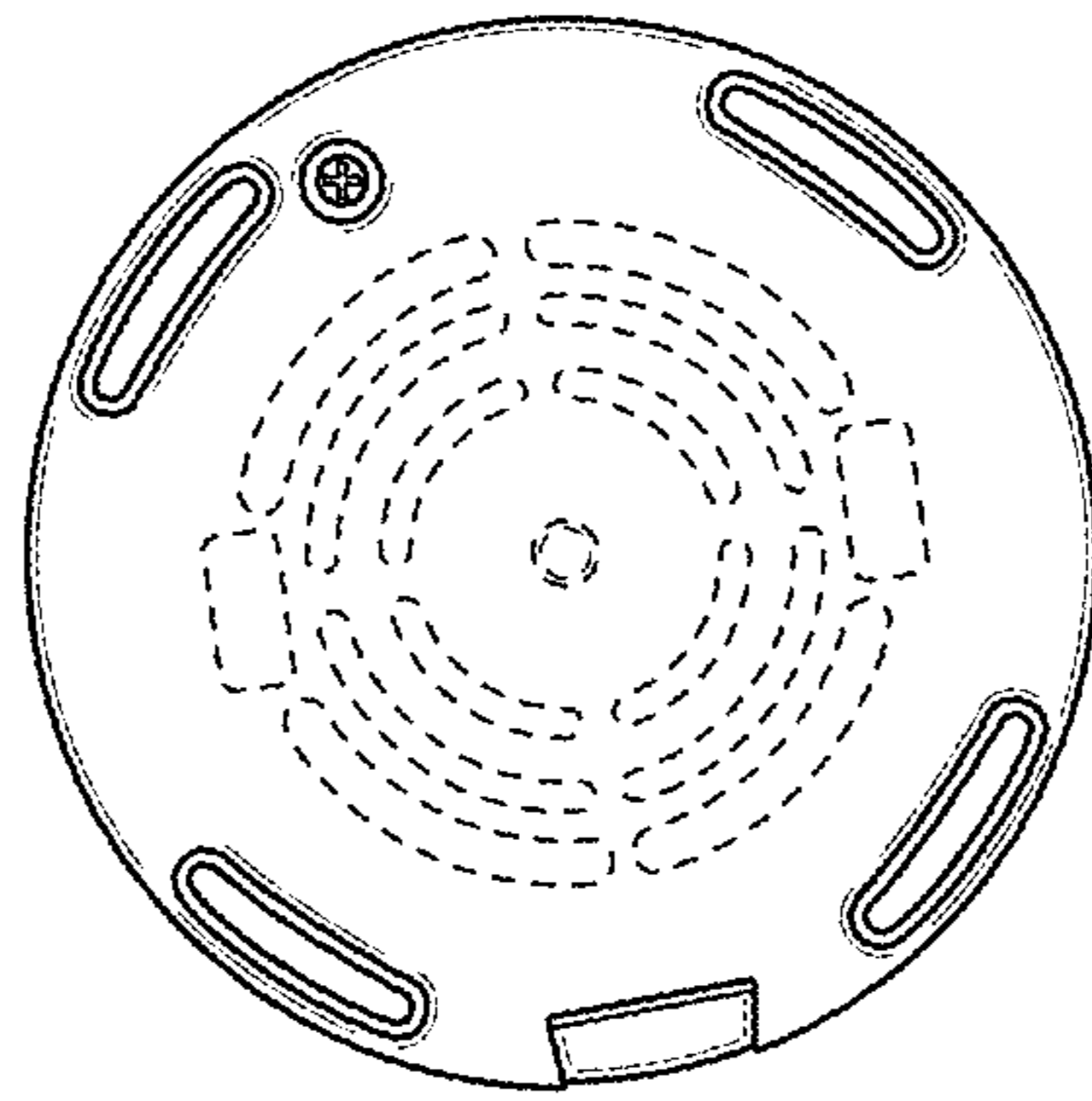


FIG. 7