



US00D827801S

(12) **United States Design Patent**
Cholet

(10) **Patent No.:** **US D827,801 S**

(45) **Date of Patent:** **** Sep. 4, 2018**

(54) **PERFUME DIFFUSER**

(71) Applicant: **PRODUITS BERGER**, Grand Bourgtheroulde (FR)

(72) Inventor: **Vincent Cholet**, Suttauville (FR)

(73) Assignee: **PRODUITS BERGER**, Grand Bourgtheroulde (FR)

(**) Term: **15 Years**

(21) Appl. No.: **29/600,408**

(22) Filed: **Apr. 12, 2017**

(30) **Foreign Application Priority Data**

Feb. 28, 2017 (EM) 003773027-0001

(51) **LOC (11) Cl.** **28-99**

(52) **U.S. Cl.**
USPC **D23/366**

(58) **Field of Classification Search**
USPC D23/355-370, 386-388; D11/11, 86, 87, D11/101, 181, 208, 212, 228; D8/356, D8/396; D2/853, 935, 946
CPC ... A61L 9/03; A61L 9/12; A61F 9/026; B01D 49/0004; G09F 7/22; G09F 19/08
See application file for complete search history.

(56) **References Cited**

U.S. PATENT DOCUMENTS

- 4,110,066 A * 8/1978 Murphy F21S 13/00 431/125
- 4,197,271 A * 4/1980 Fenstermaker A61L 9/12 239/56
- 6,144,801 A * 11/2000 Lehoux A61L 9/03 239/135
- D468,856 S * 1/2003 Glanz D26/116
- D649,237 S * 11/2011 Bilko D23/366
- D656,599 S * 3/2012 Browder D23/366
- D665,067 S * 8/2012 Browder D23/366
- D667,101 S * 9/2012 Browder D23/366

- D678,496 S * 3/2013 Browder D23/366
- D716,435 S * 10/2014 Propes D23/366
- D731,635 S * 6/2015 Venisti D23/366

OTHER PUBLICATIONS

Lampe Berger Basic Catalytic Burner reference found online [Feb. 7, 2018]—https://www.bedbathandbeyond.com/store/product/lampe-berger-basic-catalytic-burner/1040457604?skuId=40457604&mcid=PS_googlepla_nonbrand_beautywellness_online&product_id=40457604&adtype=pla&product_channel=online&adpos=1o11&creative=2242612550.*

* cited by examiner

Primary Examiner — Lakiya G Rogers

Assistant Examiner — John A Voytek

(74) *Attorney, Agent, or Firm* — Young & Thompson

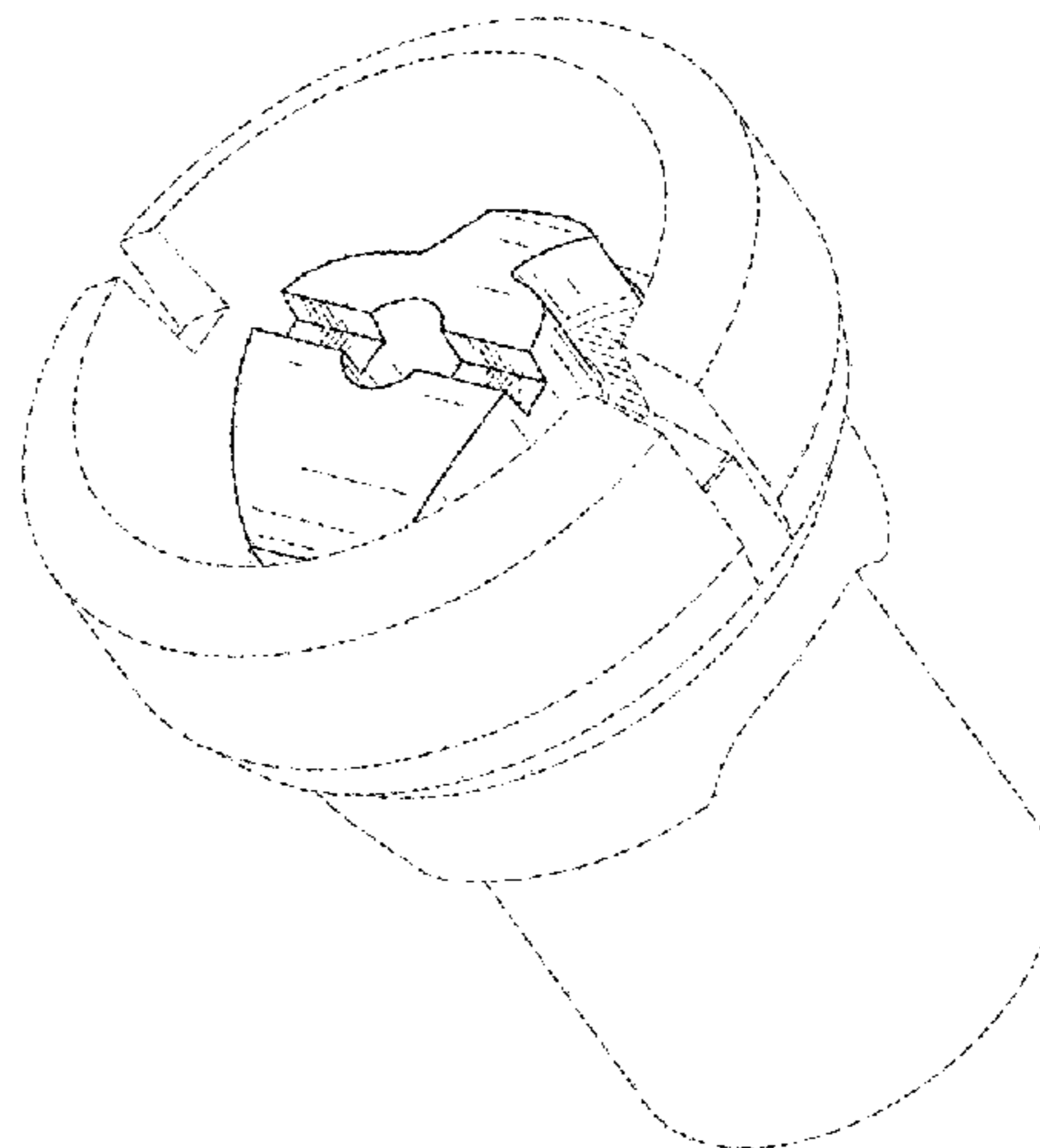
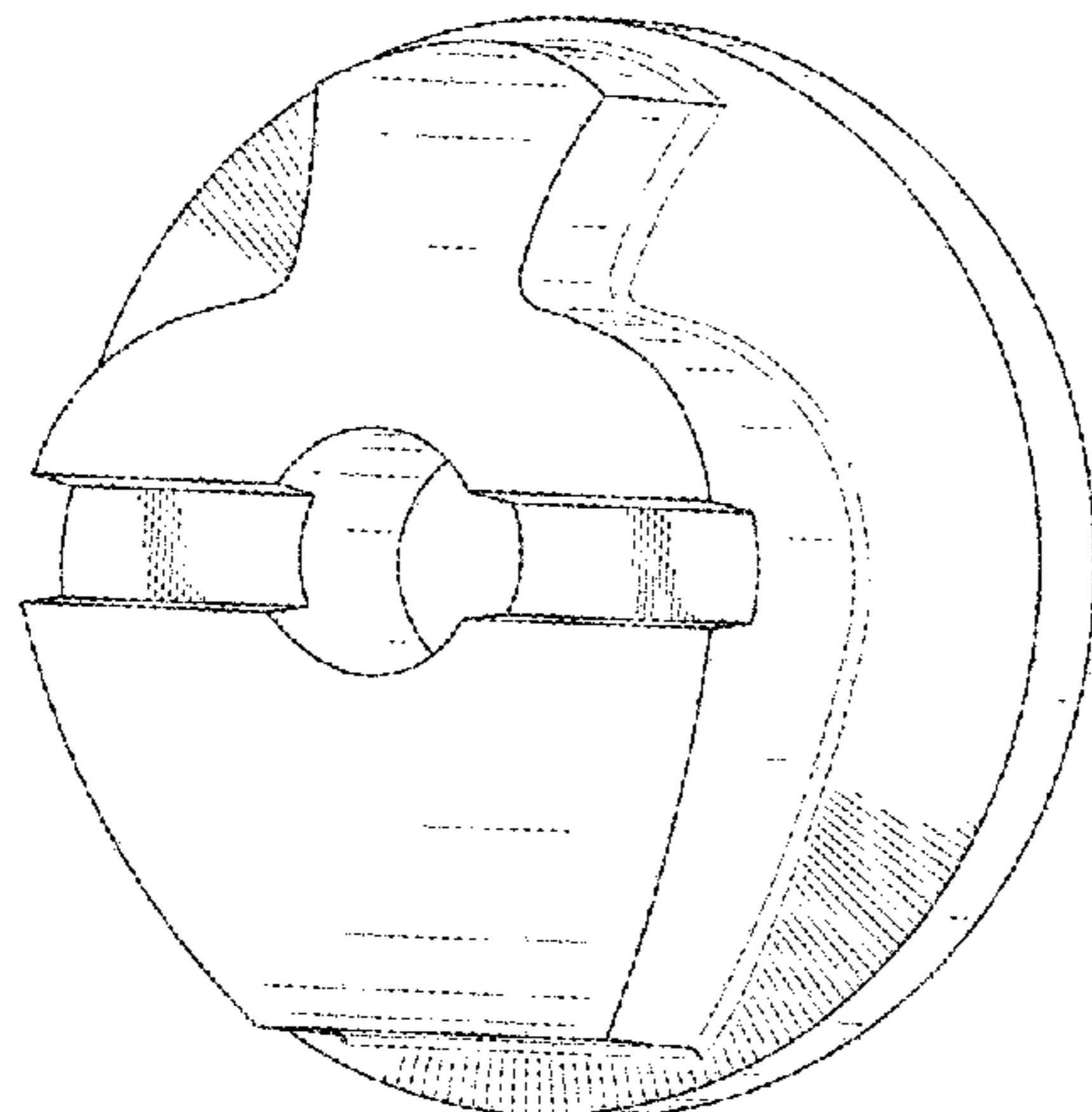
(57) **CLAIM**

The ornamental design for a perfume diffuser, as shown and described.

DESCRIPTION

FIG. 1 is a top, left side perspective view a perfume diffuser showing the new design;
FIG. 2 is a top plan view thereof;
FIG. 3 is a bottom plan view thereof;
FIG. 4 is a right side elevation view thereof;
FIG. 5 is a left side elevation view thereof;
FIG. 6 is a front elevation view thereof;
FIG. 7 is a rear view thereof; and
FIG. 8 is a top and rear perspective view thereof with unclaimed environment; and,
FIG. 9 is a top and left side perspective view thereof with unclaimed environment.
The portions of the design shown in broken lines in FIG. 4 form no part of the claim. The broken lines shown in FIGS. 8 and 9 show unclaimed environmental structure of the type used with the perfume diffuser.

1 Claim, 9 Drawing Sheets



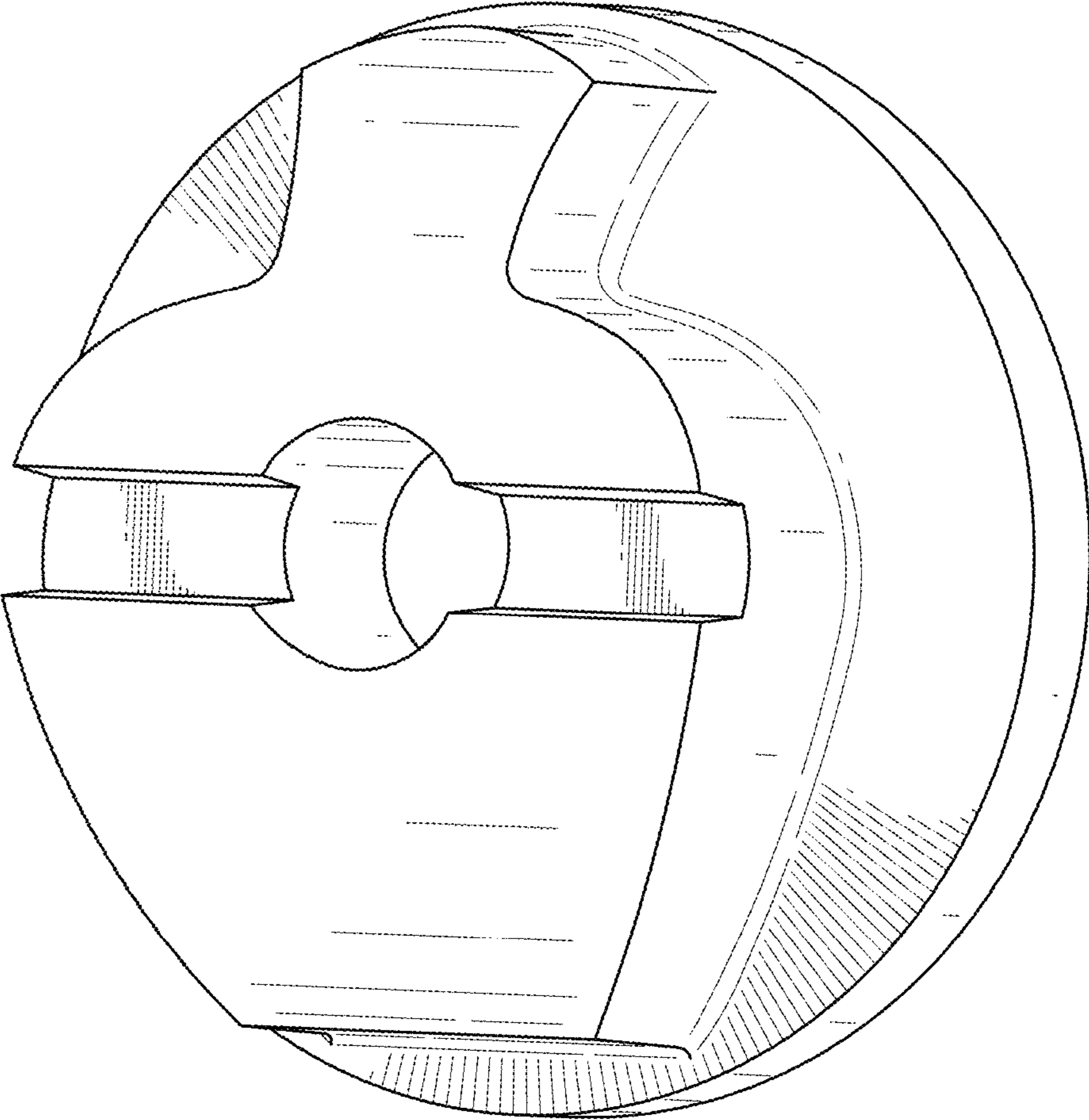


FIG.1

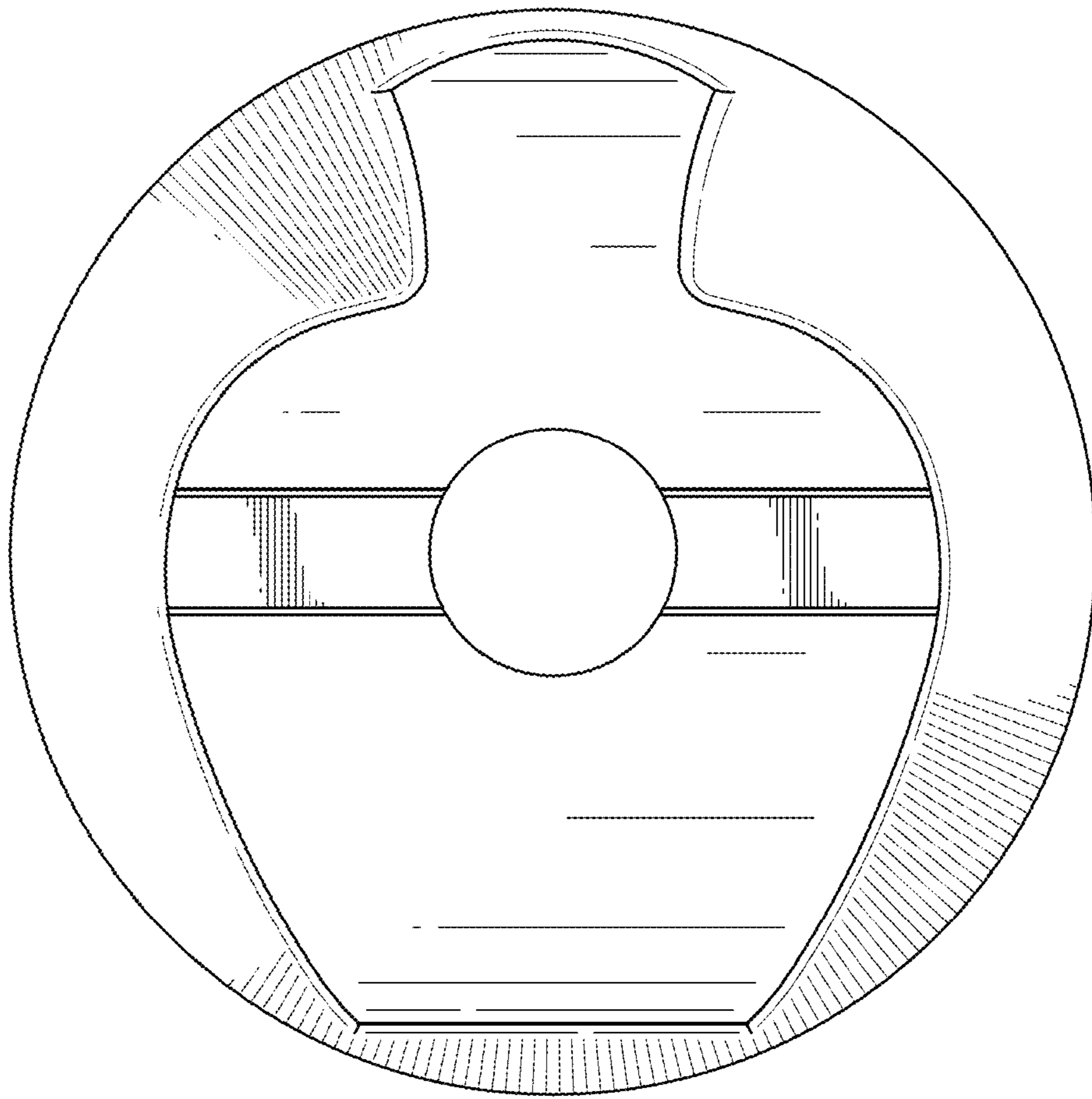


FIG.2

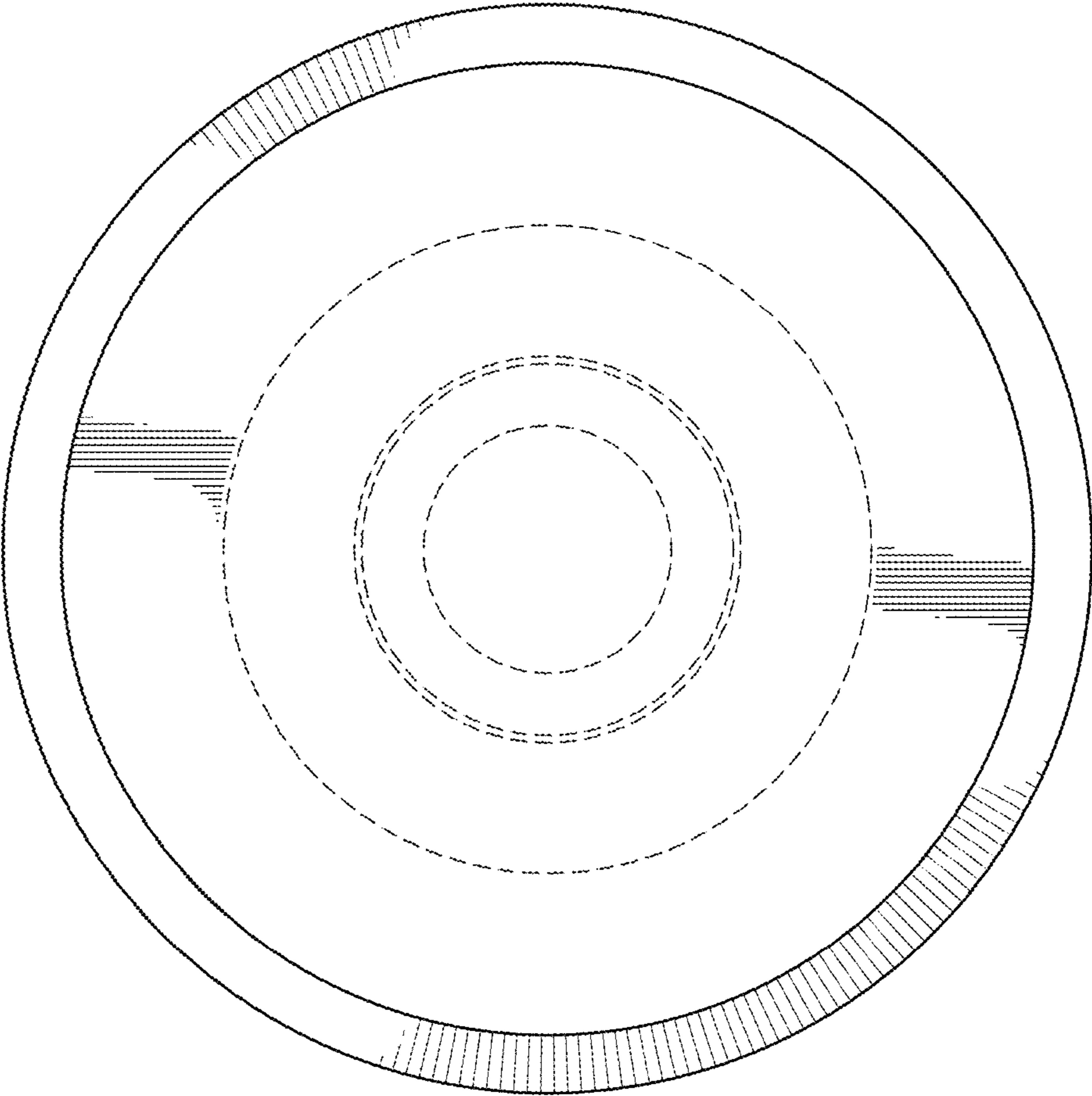


FIG.3

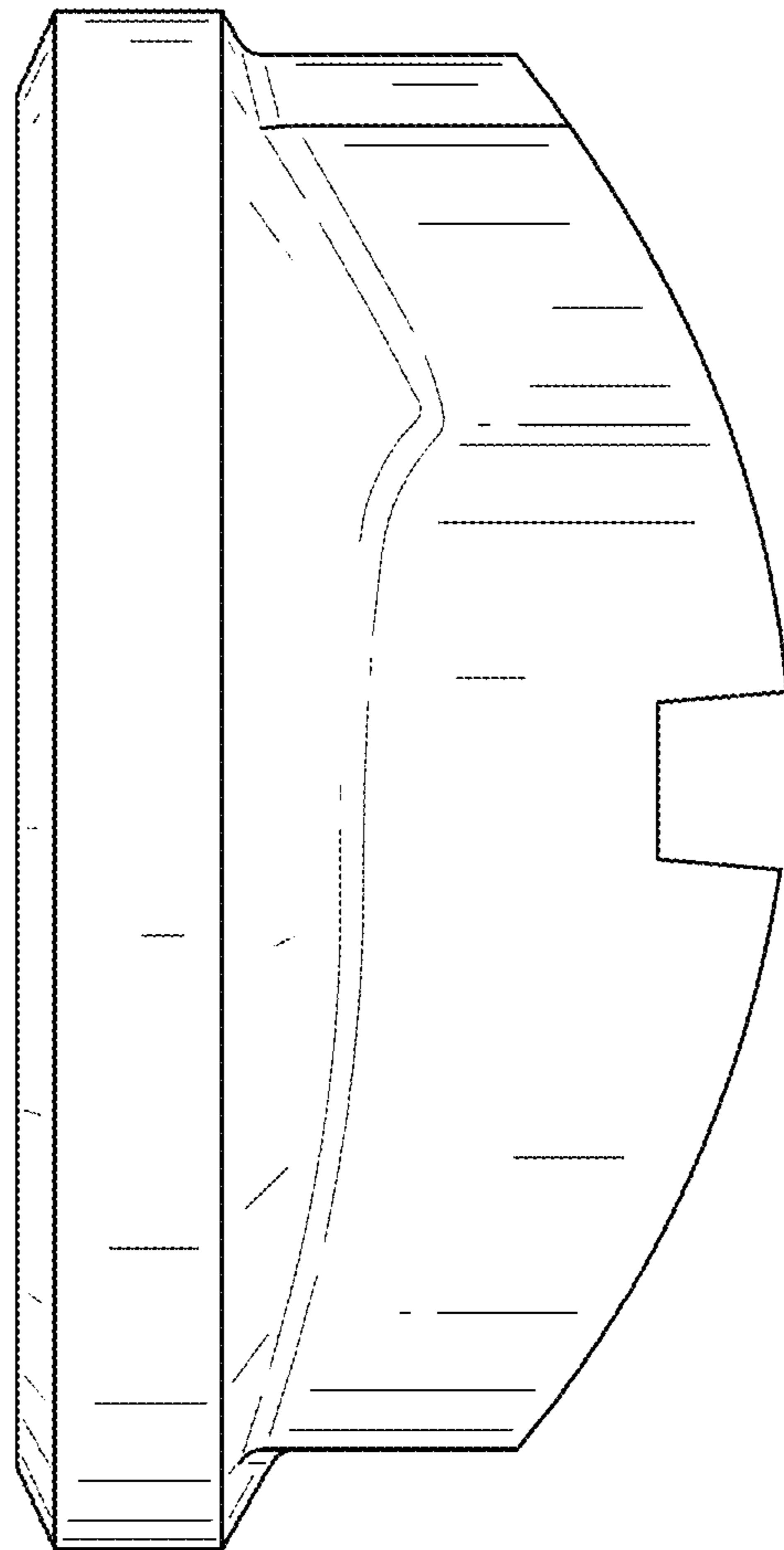


FIG.4

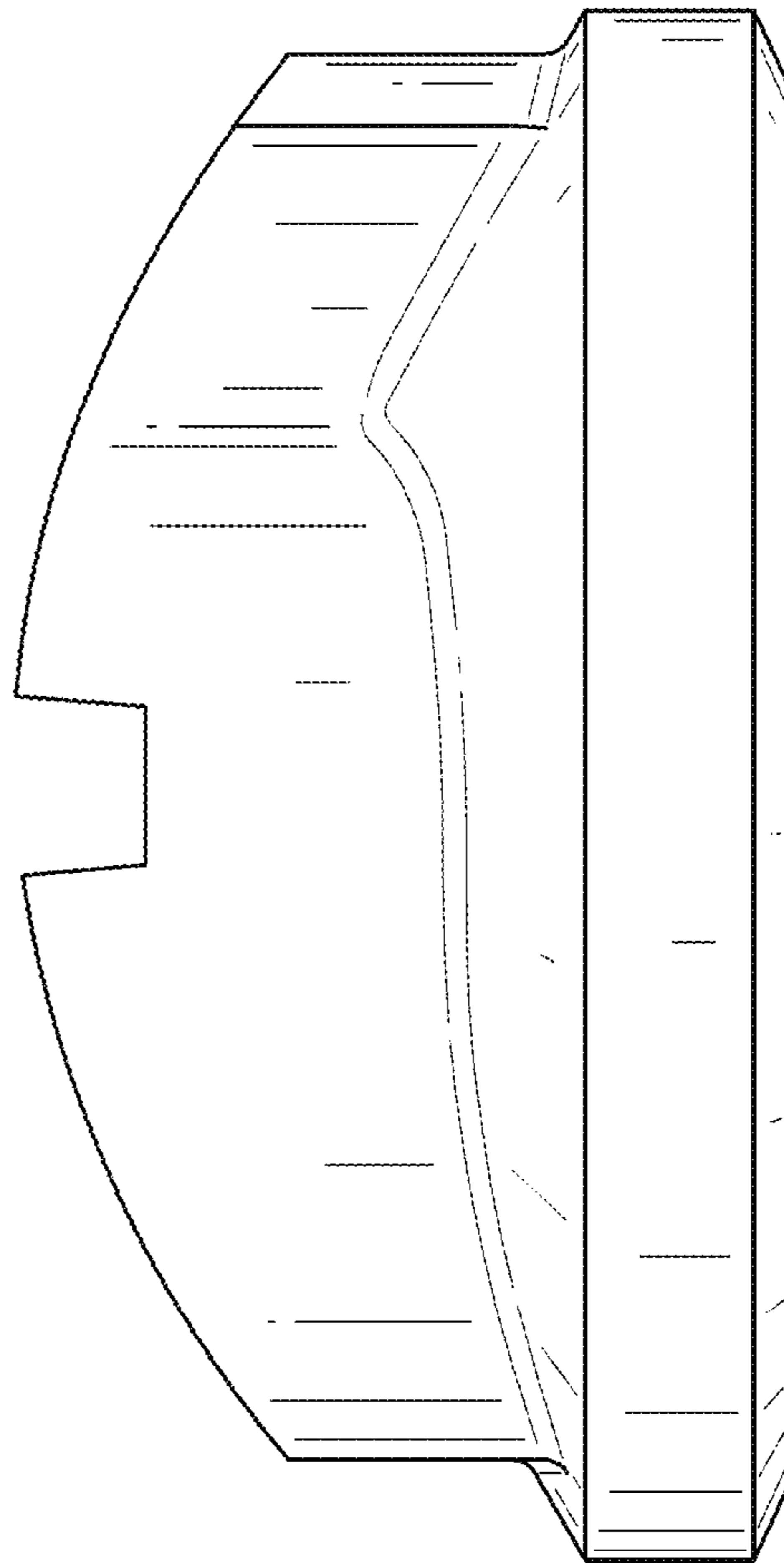


FIG.5

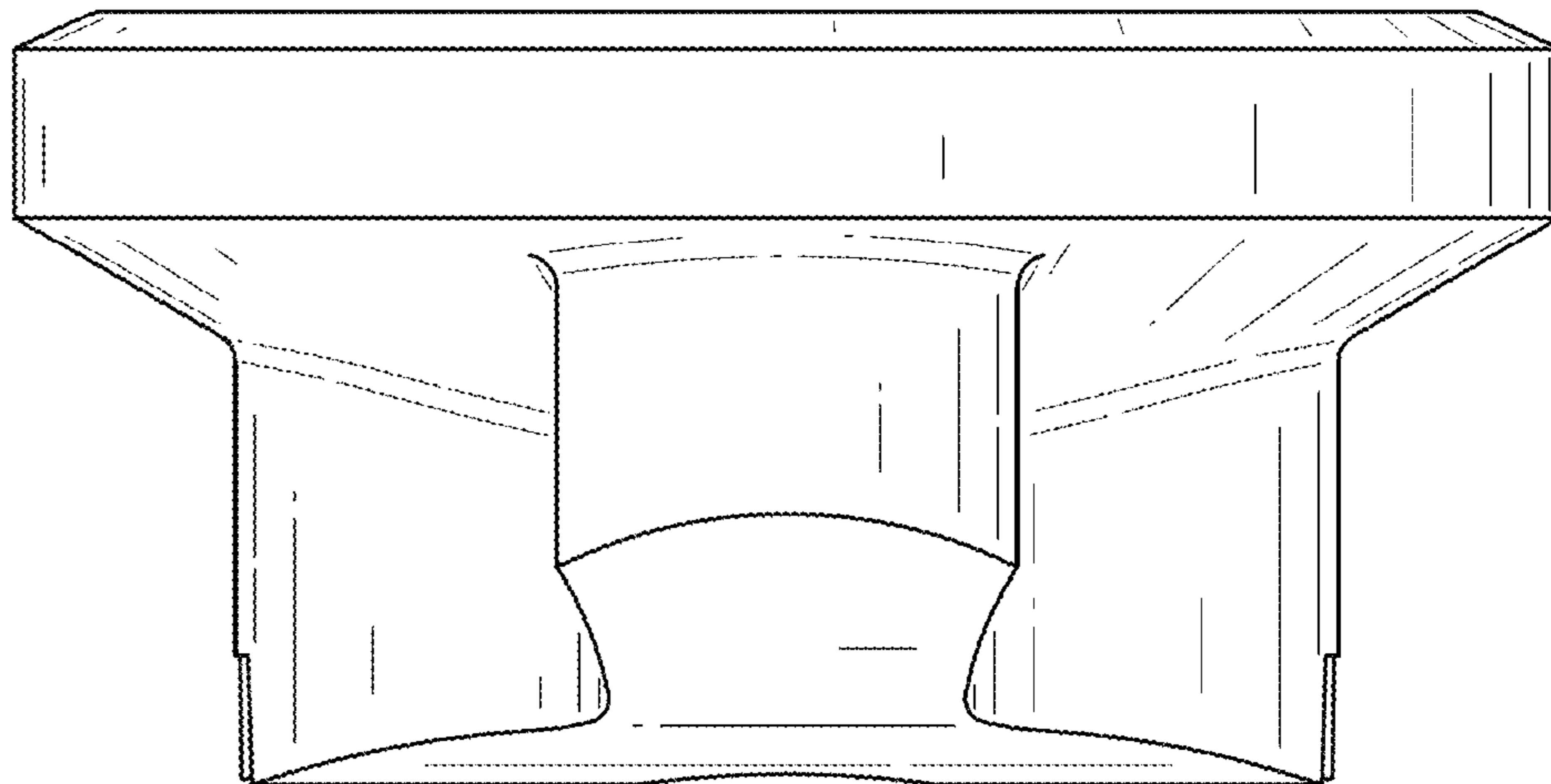


FIG.6

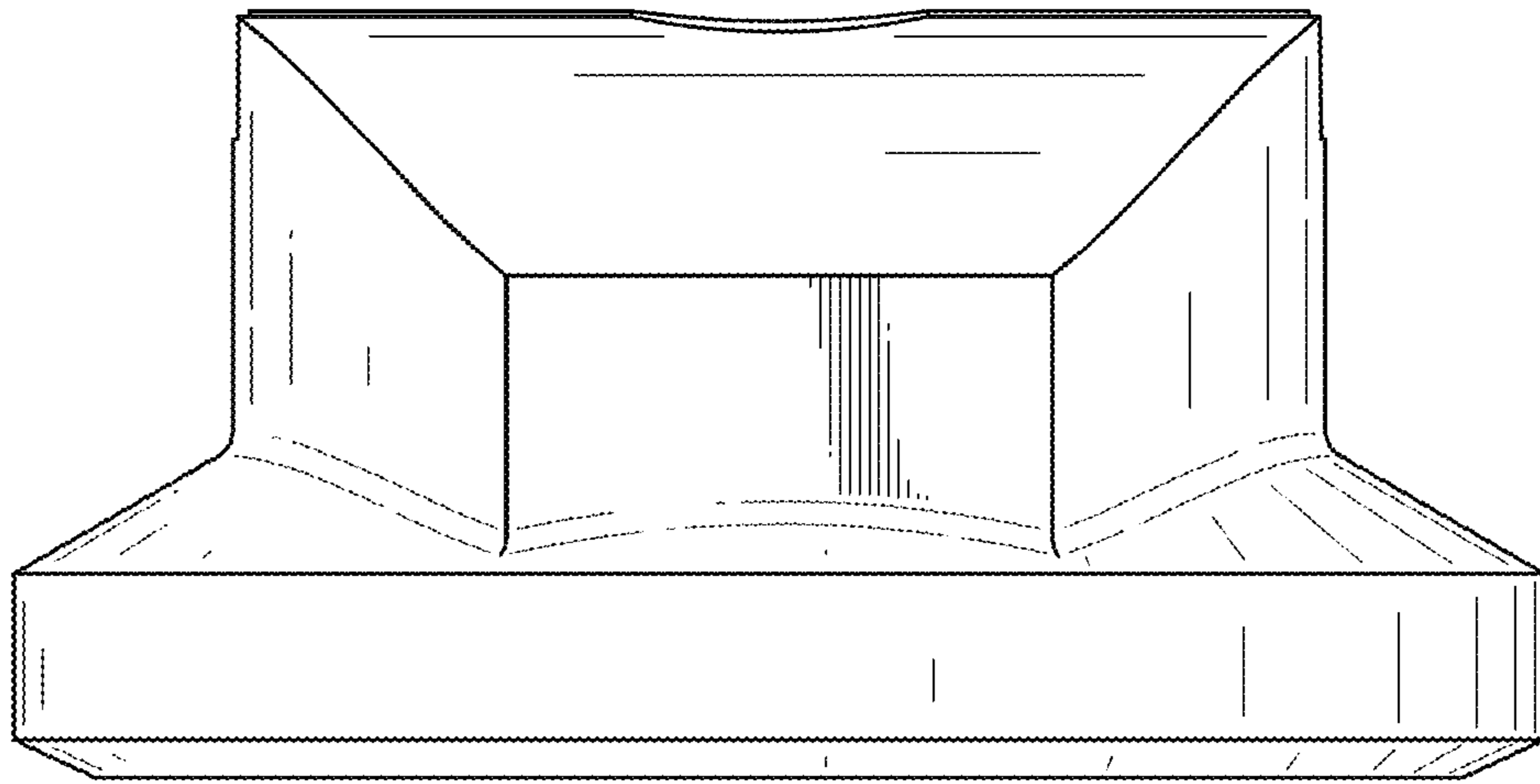


FIG.7

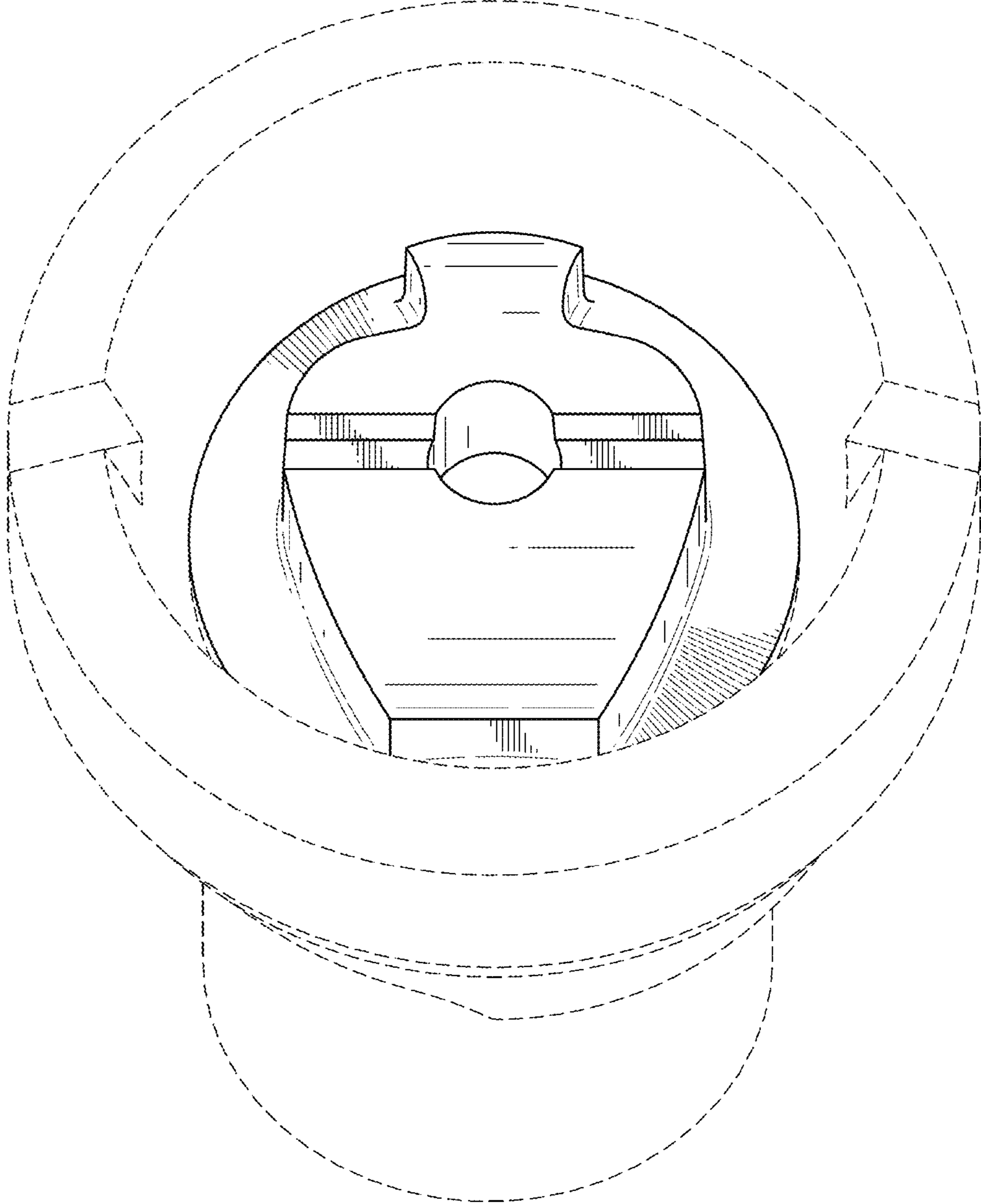


FIG.8

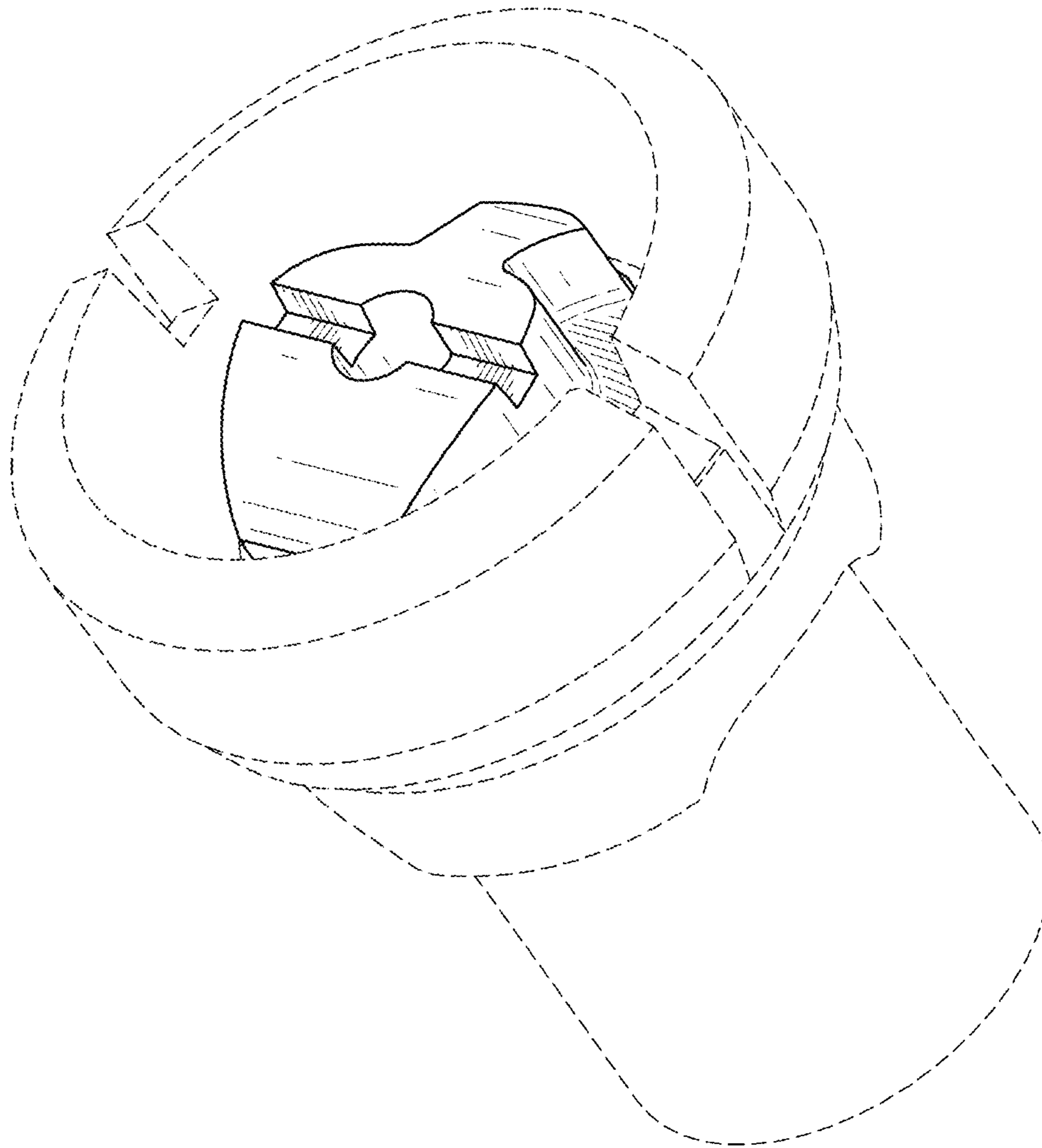


FIG.9