



US00D827800S

(12) **United States Design Patent** (10) **Patent No.:** **US D827,800 S**
Bumpass et al. (45) **Date of Patent:** **** Sep. 4, 2018**

(54) **WAX MELT**

(71) Applicant: **The Procter & Gamble Company**,
Cincinnati, OH (US)

(72) Inventors: **Linda Marie Bumpass**, Finneytown,
OH (US); **Cassanrda Ethel Cecilia Stricker**,
Burlington, KY (US); **Sara Elizabeth Fox**,
Cincinnati, OH (US); **Travis Propes**,
Charleston, SC (US); **Cindy Anne Garner**,
Springfield Township, OH (US)

(73) Assignee: **The Procter & Gamble Company**,
Cincinnati, OH (US)

(**) Term: **15 Years**

(21) Appl. No.: **29/600,265**

(22) Filed: **Apr. 11, 2017**

(51) **LOC (11) Cl.** **28-99**

(52) **U.S. Cl.**
USPC **D23/366**

(58) **Field of Classification Search**
USPC D23/355-370, 386-388; D11/11, 86, 87,
D11/101, 181, 208, 212, 228; D8/356,
D8/396; D2/853, 935, 946
CPC ... A61L 9/03; A61L 9/12; A61F 9/026; B01D
46/0004; G09F 7/22; G09F 19/08
See application file for complete search history.

(56) **References Cited**

U.S. PATENT DOCUMENTS

D96,225 S *	7/1935	Brennan	D1/121
D230,342 S *	2/1974	Mallonn	220/377
D230,929 S *	3/1974	Wang	215/393
D247,635 S *	3/1978	Maxwell	D26/116
D344,582 S *	2/1994	Williams	D11/67
D346,856 S *	5/1994	Kany	D23/368
D474,107 S *	5/2003	Osborne	D28/79
D546,062 S *	7/2007	Tate	D3/271.8

D553,230 S *	10/2007	Caserta	D23/360
D597,648 S *	8/2009	Heflin, III	D23/367
D607,176 S *	1/2010	Roskam	D1/115
D698,866 S *	2/2014	Abdullah	D19/77
D762,294 S *	7/2016	Hanna	D23/366
D804,322 S *	12/2017	Fox	D9/756

FOREIGN PATENT DOCUMENTS

WO WO 2015/116528 A1 8/2015

OTHER PUBLICATIONS

Epic Wax Flower Power Wax Melt Sampler found online [Feb. 7, 2018]—<https://epicwax.com/collections/flower-power/products/flower-power-wax-melt-sampler>.*

Pan Aroma Scented Wax Melt Vanilla Breeze; available—<http://www.homestoreandmore.iewax-meltspan-aroma-scented-wax-melt-vanilla-breezeinv063695>; Downloaded Jul. 13, 2016.

All Office Action for U.S. Appl. No. 15/246,740; P&G Case.
All Office Action for U.S. Appl. No. 29/575,434; P&G Case.

(Continued)

Primary Examiner — Lakiya G Rogers

Assistant Examiner — John A Voytek

(74) *Attorney, Agent, or Firm* — Abbey A. Lopez

(57) **CLAIM**

The ornamental design for a wax melt, as shown and described.

DESCRIPTION

FIG. 1 is a front perspective view of an embodiment of a wax melt;

FIG. 2 is a front view thereof;

FIG. 3 is a left view thereof;

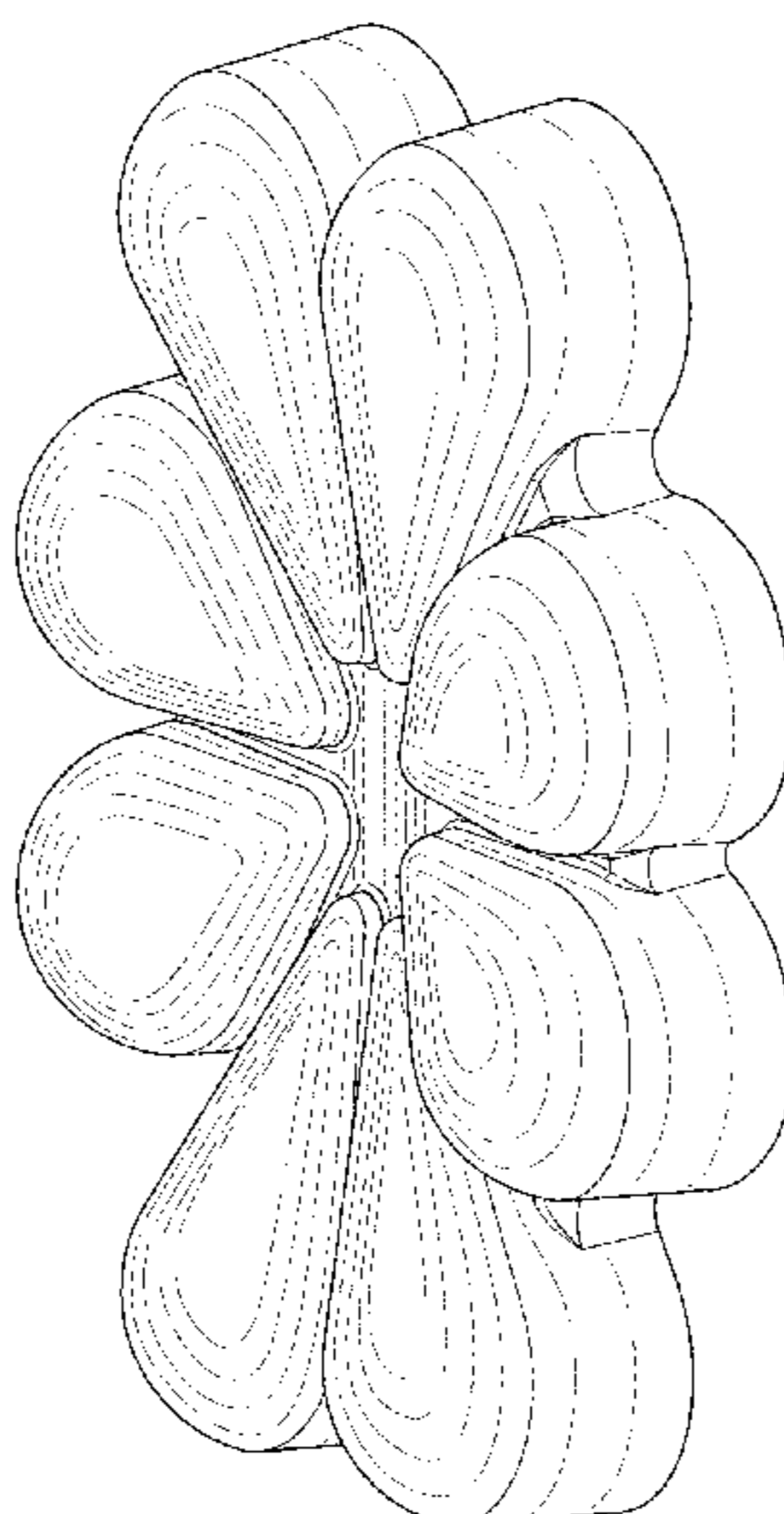
FIG. 4 is a back view thereof;

FIG. 5 is a right view thereof;

FIG. 6 is a top view thereof; and,

FIG. 7 is a bottom view thereof.

1 Claim, 6 Drawing Sheets



(56)

References Cited

OTHER PUBLICATIONS

All Office Action for U.S. Appl. No. 29/575,435; P&G Case.
All Office Action for U.S. Appl. No. 29/575,436; P&G Case.
All Office Action for U.S. Appl. No. 29/575,437; P&G Case.
All Office Action for U.S. Appl. No. 29/600,263; P&G Case.
U.S. Appl. No. 15/246,740, filed Aug. 25, 2016, Fox, et al.
U.S. Appl. No. 29/575,434, filed Aug. 25, 2016, Fox, et al.
U.S. Appl. No. 29/575,435, filed Aug. 25, 2016, Fox, et al.
U.S. Appl. No. 29/575,436, filed Aug. 25, 2016, Fox, et al.
U.S. Appl. No. 29/575,437, filed Aug. 25, 2016, Fox, et al.
U.S. Appl. No. 29/600,263, filed Apr. 11, 2017, Bumpass, et al.

* cited by examiner

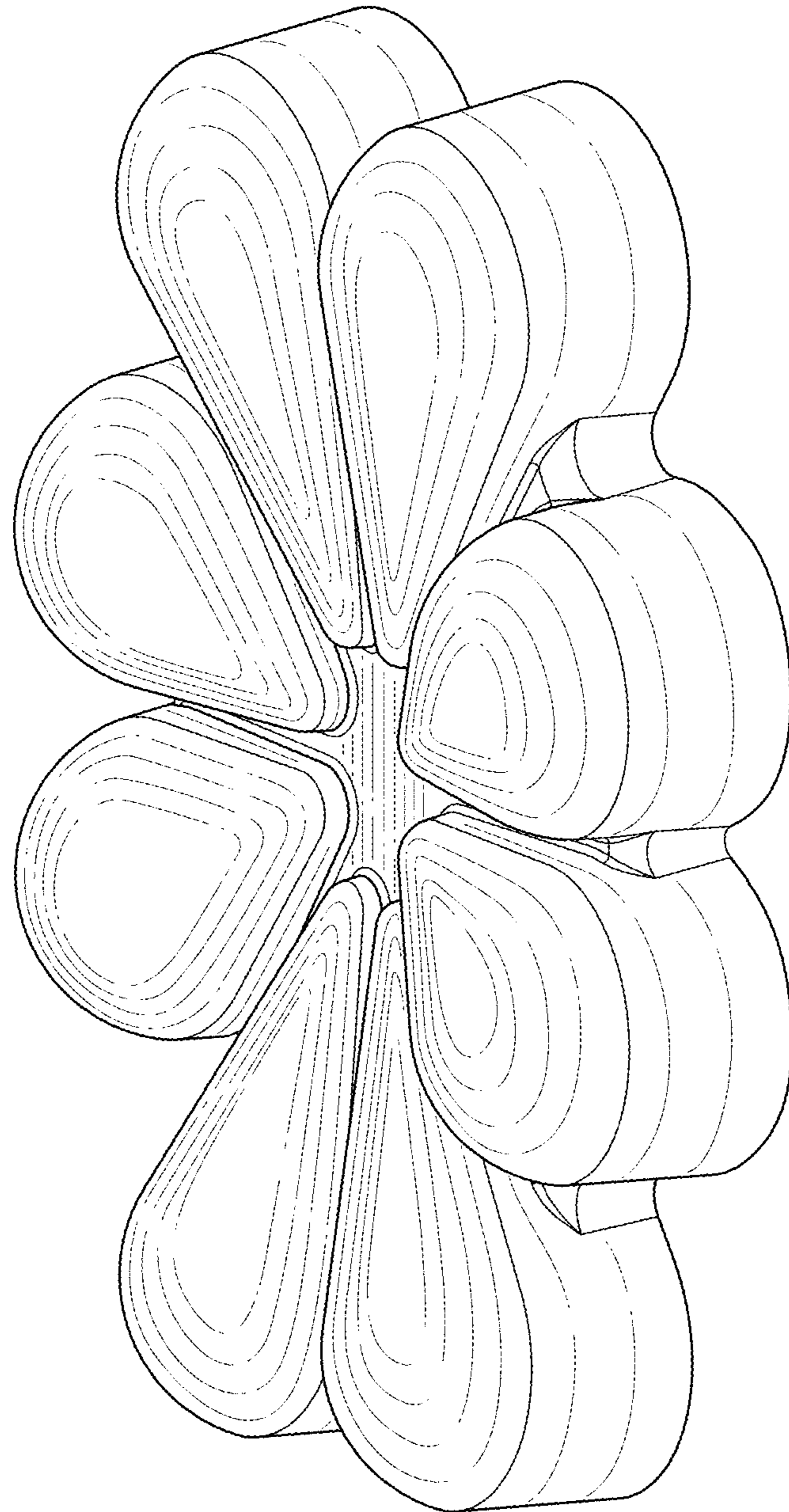


FIG. 1

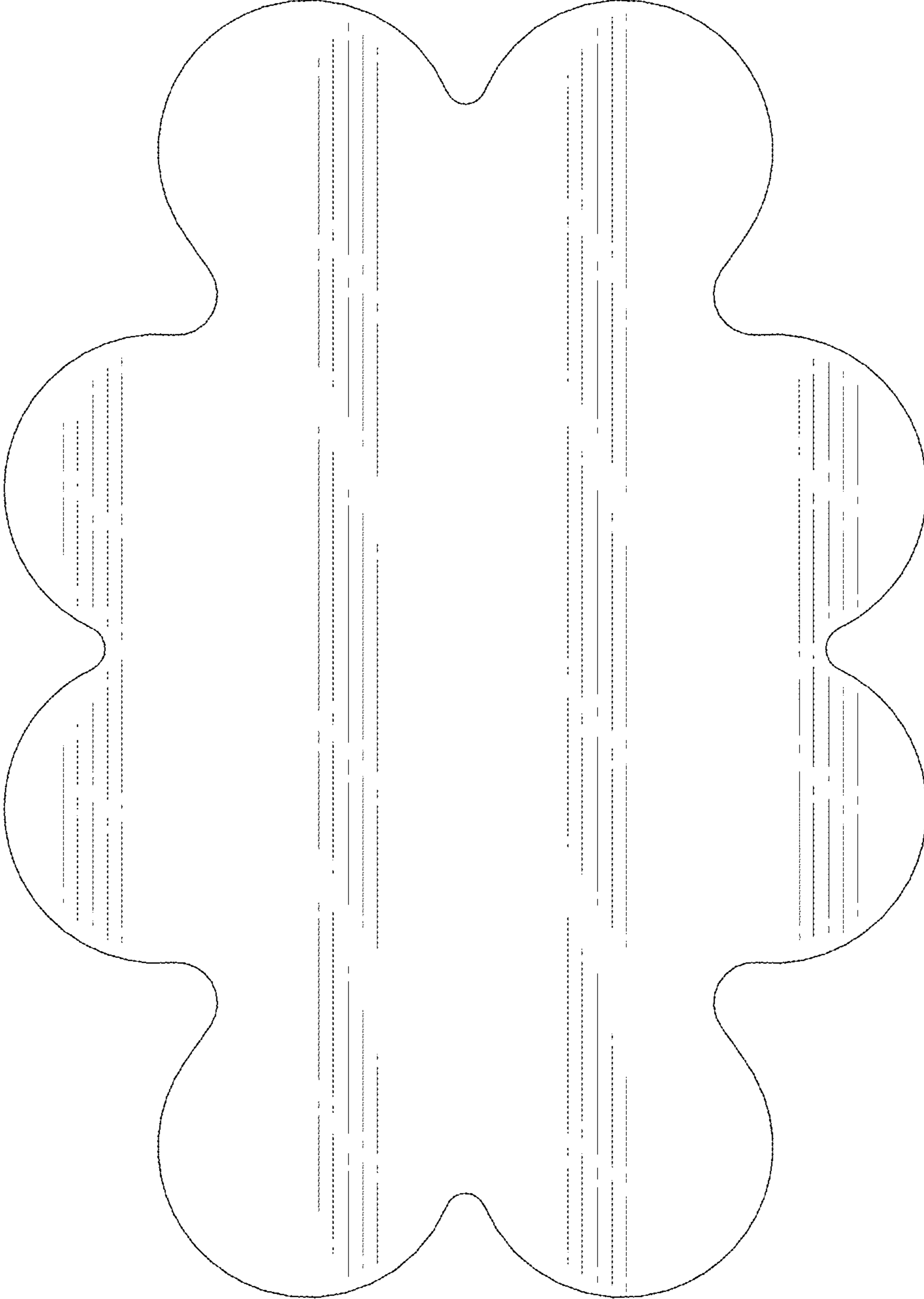


FIG. 2

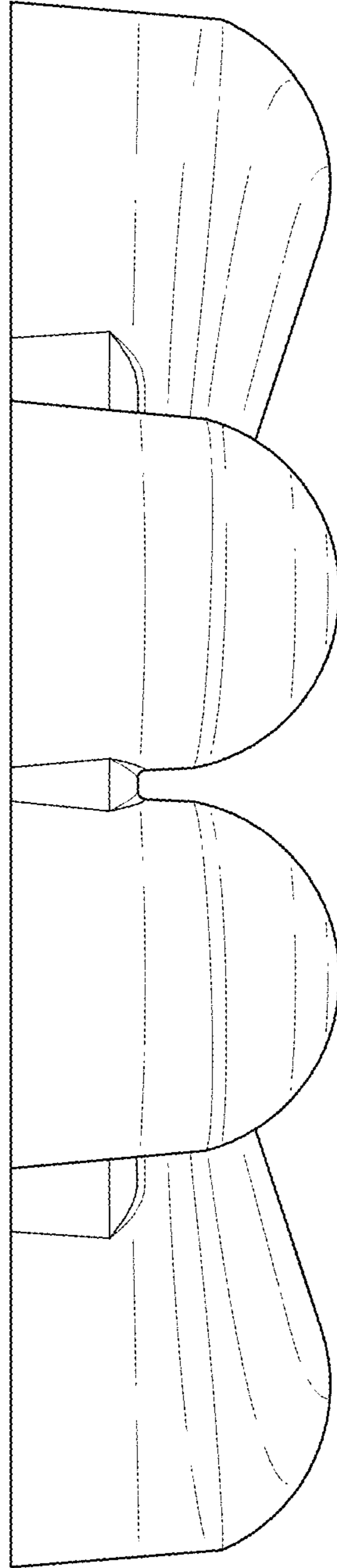


FIG. 3

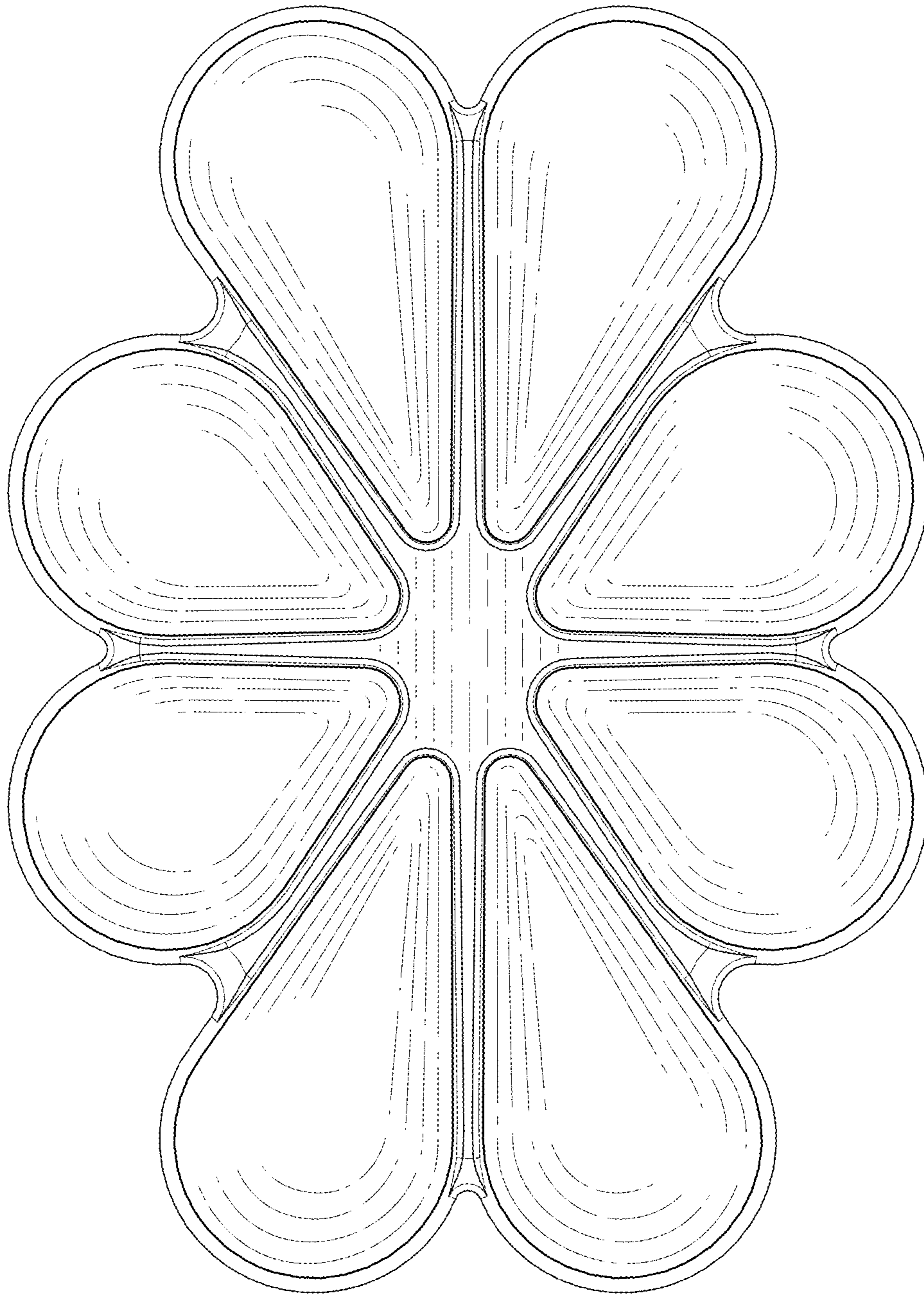


FIG. 4

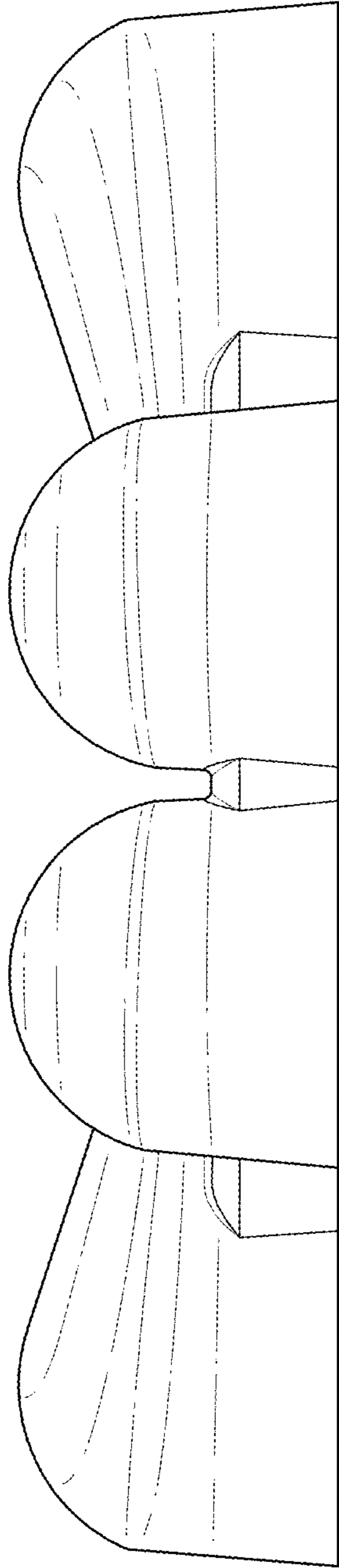


FIG. 5

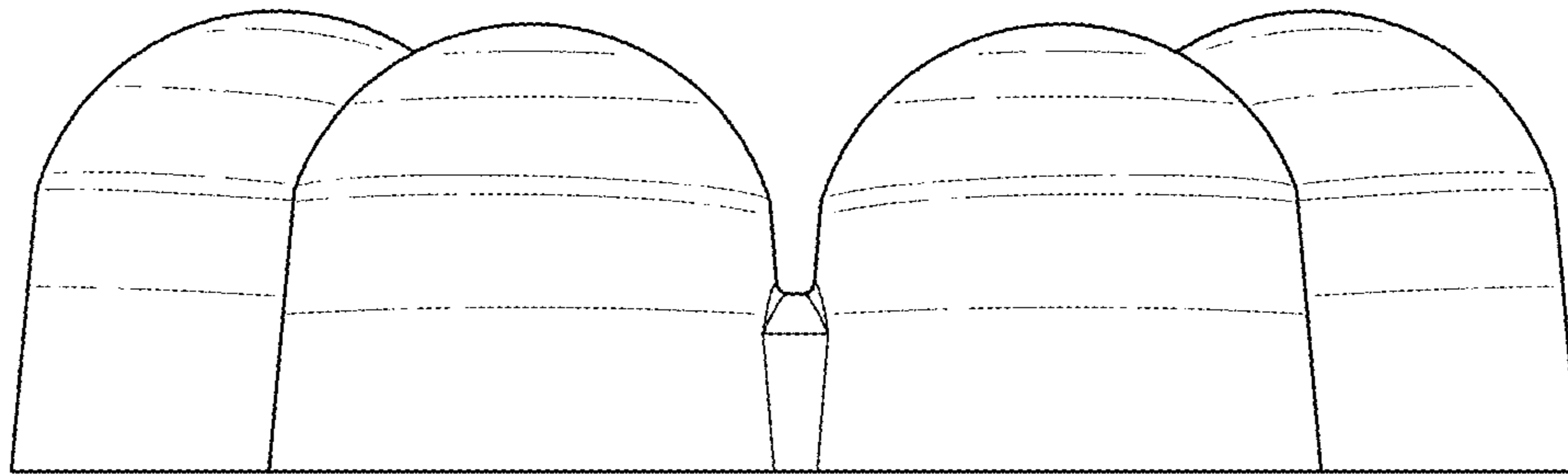


FIG. 6

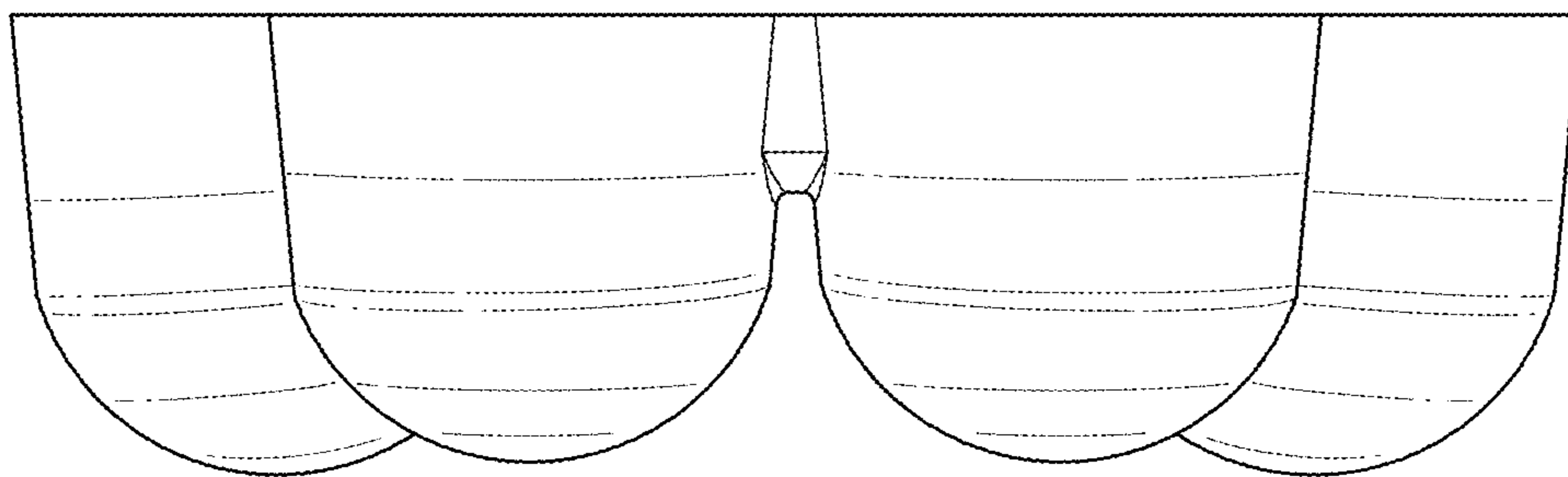


FIG. 7