



US00D827797S

(12) **United States Design Patent**
Boxum et al.

(10) **Patent No.:** **US D827,797 S**
(45) **Date of Patent:** **** Sep. 4, 2018**

(54) **AIR CONDITIONING APPARATUS**

(56) **References Cited**

(71) Applicant: **ZEHNDER GROUP**
INTERNATIONAL AG, Gränichen
(CH)

U.S. PATENT DOCUMENTS

(72) Inventors: **Erik Boxum**, Meppel (NL); **Martijn Haddeman**, Heerde (NL)

D340,109 S *	10/1993	Julien	D23/370
D366,522 S *	1/1996	Lagace	D23/370
D376,842 S *	12/1996	Franklin	D23/314
D405,170 S *	2/1999	Haeck	D23/314
D497,420 S *	10/2004	Grey	D23/351
D562,954 S *	2/2008	Brenneke	D23/351
D800,283 S *	10/2017	Boxum	D23/351

(73) Assignee: **Zehnder Group International AG**,
Gränichen (CH)

* cited by examiner

(**) Term: **15 Years**

Primary Examiner — Keli L Hill

(21) Appl. No.: **35/502,381**

(74) *Attorney, Agent, or Firm* — Advitam IP, LLC

(22) Filed: **Nov. 18, 2016**

(57) **CLAIM**

(80) **Hague Agreement Data**

The ornamental design for an air conditioning apparatus, as shown and described.

Int. Filing Date: **Nov. 18, 2016**

Int. Reg. No.: **DM/094353**

Int. Reg. Date: **Nov. 18, 2016**

Int. Reg. Pub. Date: **Feb. 3, 2017**

DESCRIPTION

(51) **LOC (11) Cl.** **23-04**

(52) **U.S. Cl.**
USPC **D23/351**

(58) **Field of Classification Search**
USPC D23/314, 325, 332–334, 351–359, 364,
D23/370, 385

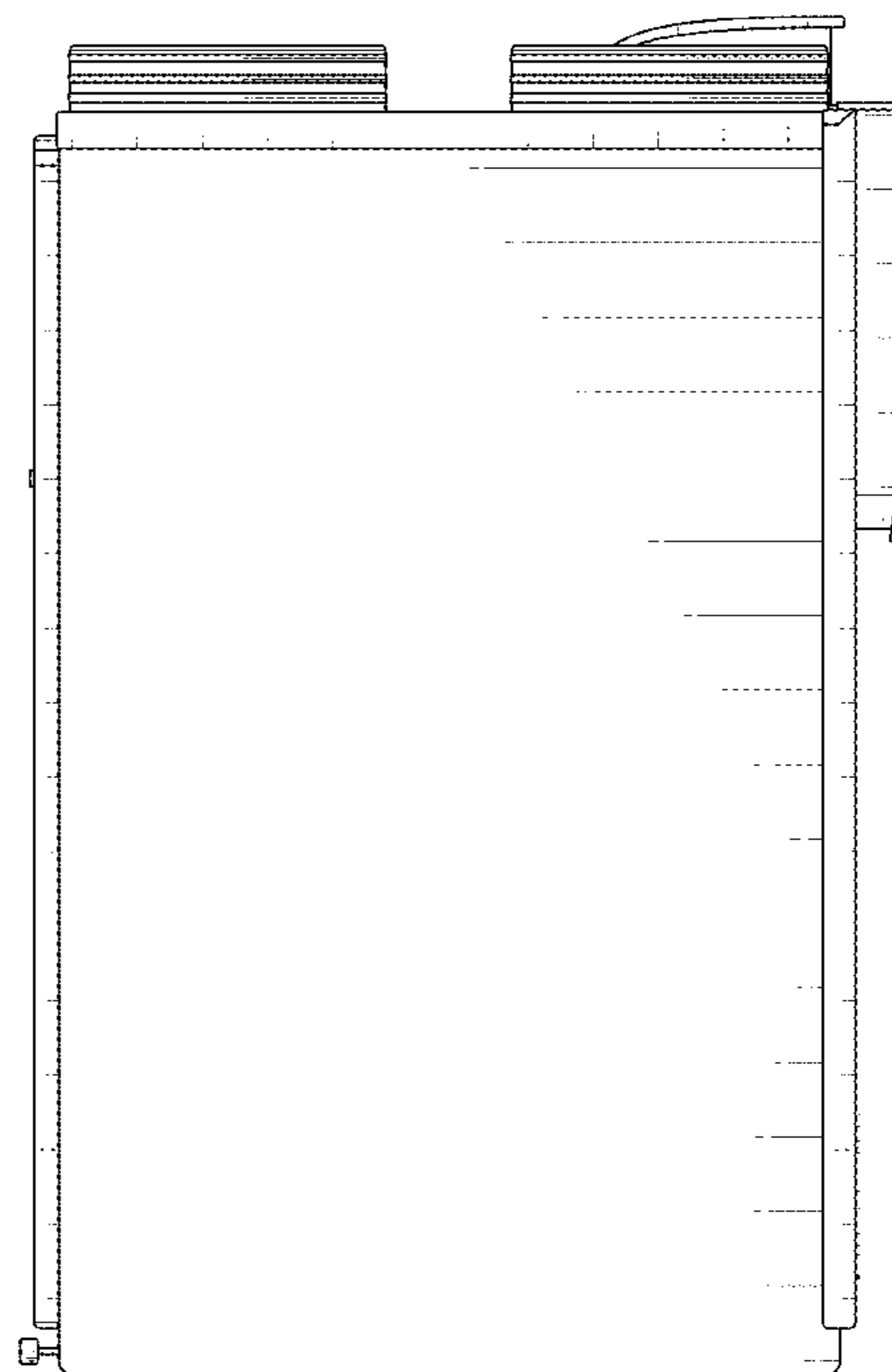
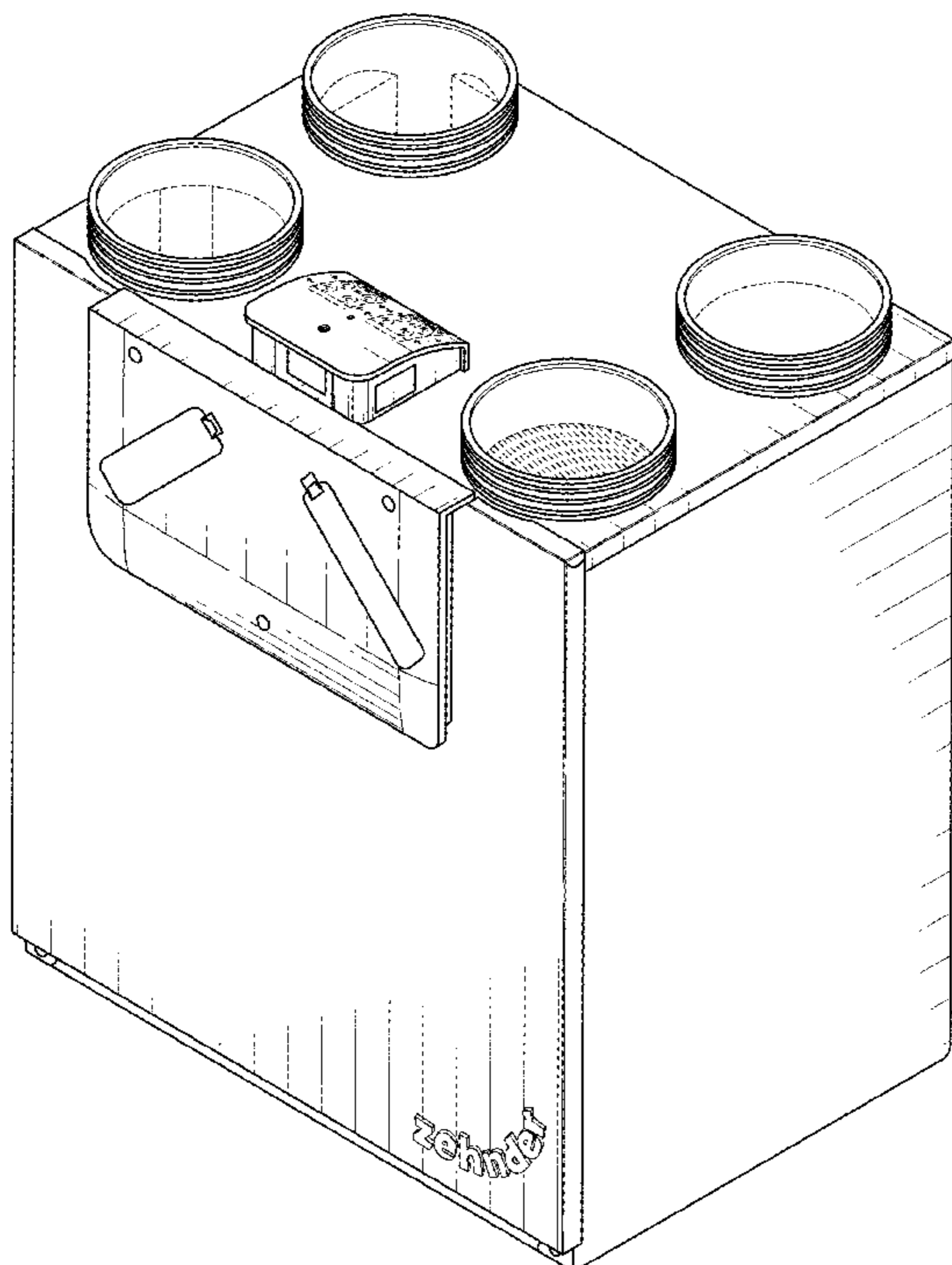
CPC ... F16K 11/06; F16K 11/11; F24F 1/00; F24F
1/27; F24F 13/08; F24F 13/15; F24F
13/1413; F24F 2001/0037; F24F
2001/004; F24F 2001/0048

See application file for complete search history.

1. Air conditioning apparatus
- 1.1 is a front perspective view.
- 1.2 is an alternate front perspective view.
- 1.3 is a top plan view.
- 1.4 is a front elevational view.
- 1.5 is a left side elevational view.
- 1.6 is a right side elevational view.
- 1.7 is a bottom plan view.

The broken lines shown in the drawings represent unclaimed portions of the air conditioner apparatus and form no part of the claimed design.

1 Claim, 7 Drawing Sheets



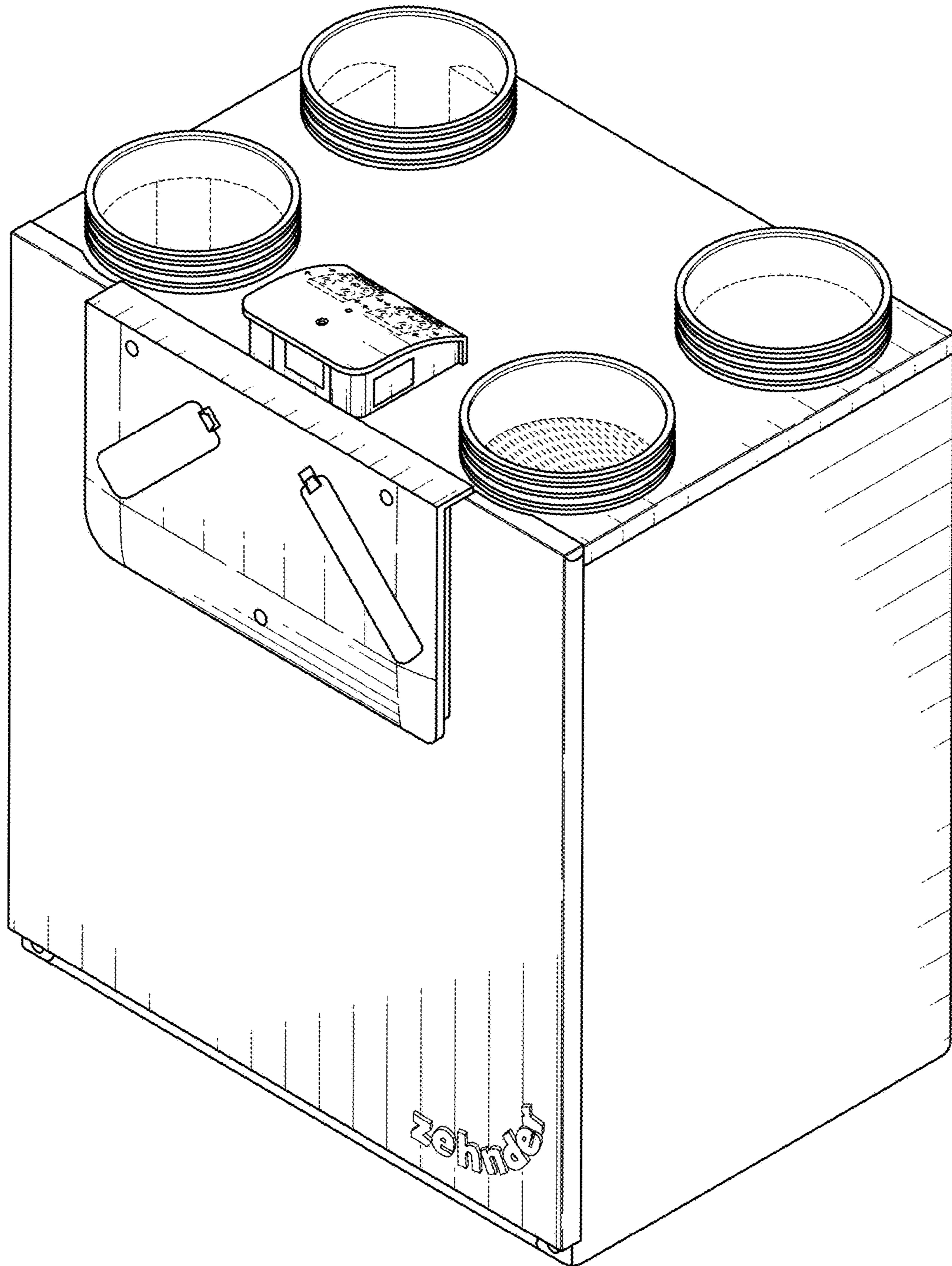


FIG. 1.1

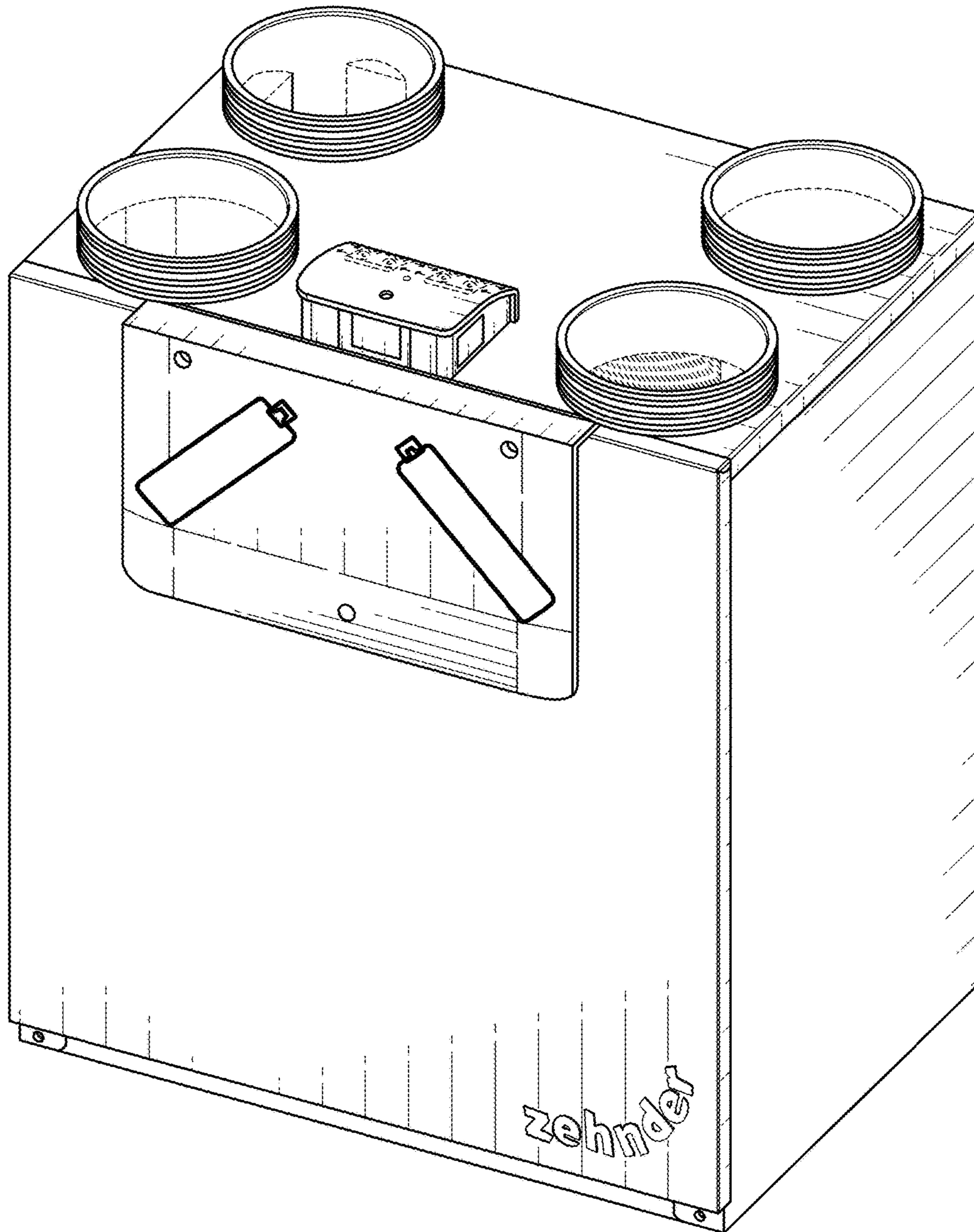


FIG. 1.2

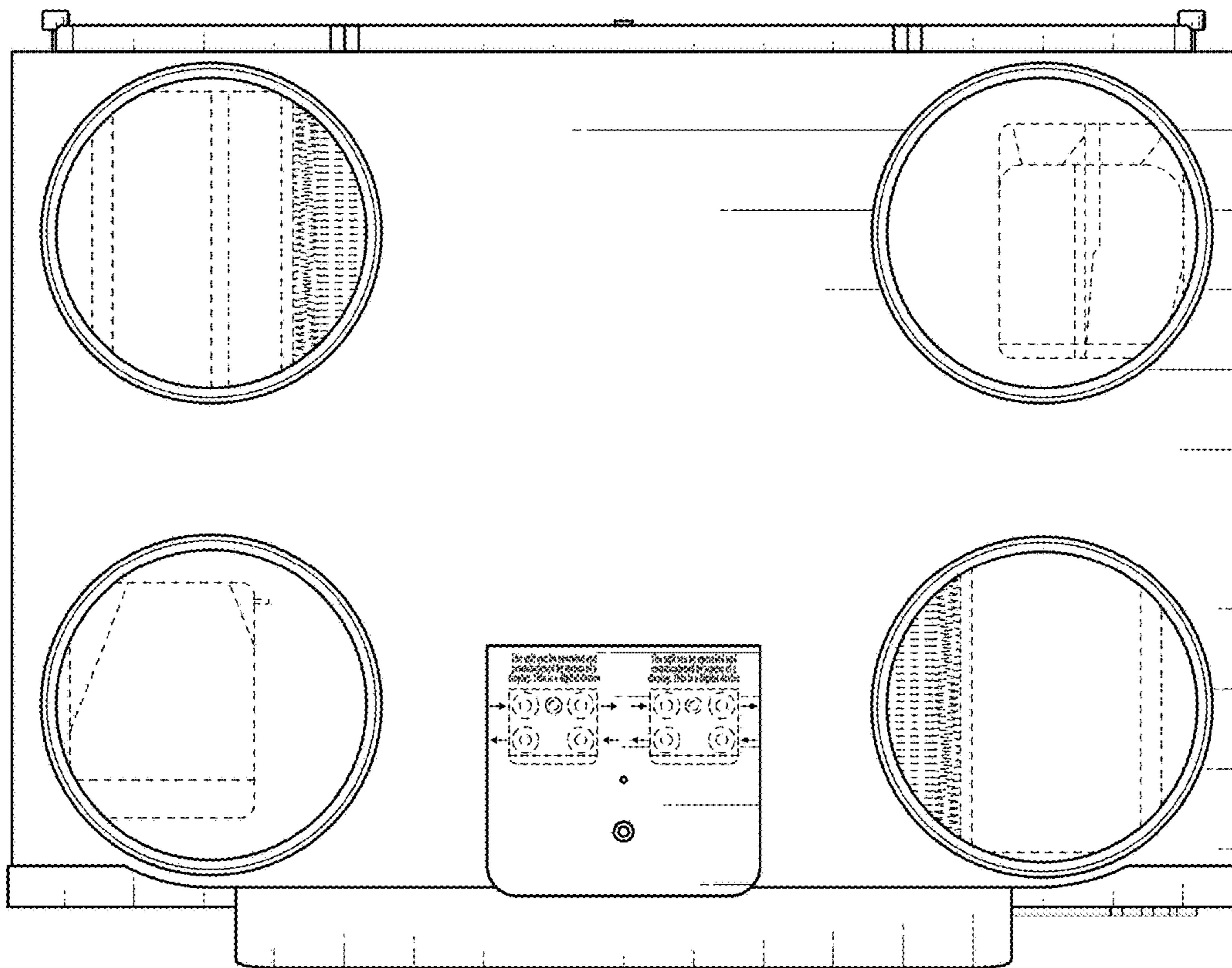


FIG. 1.3

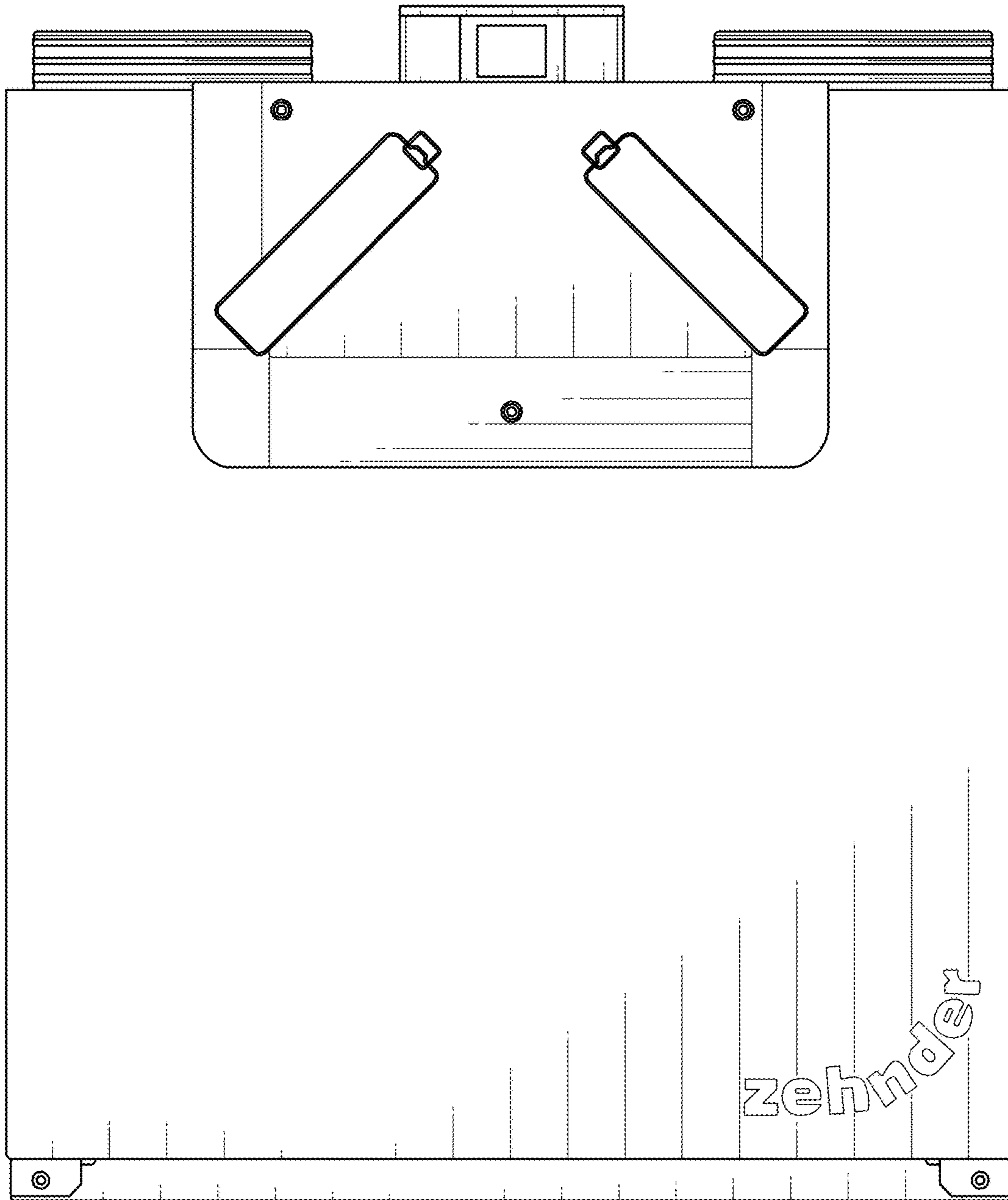


FIG. 1.4

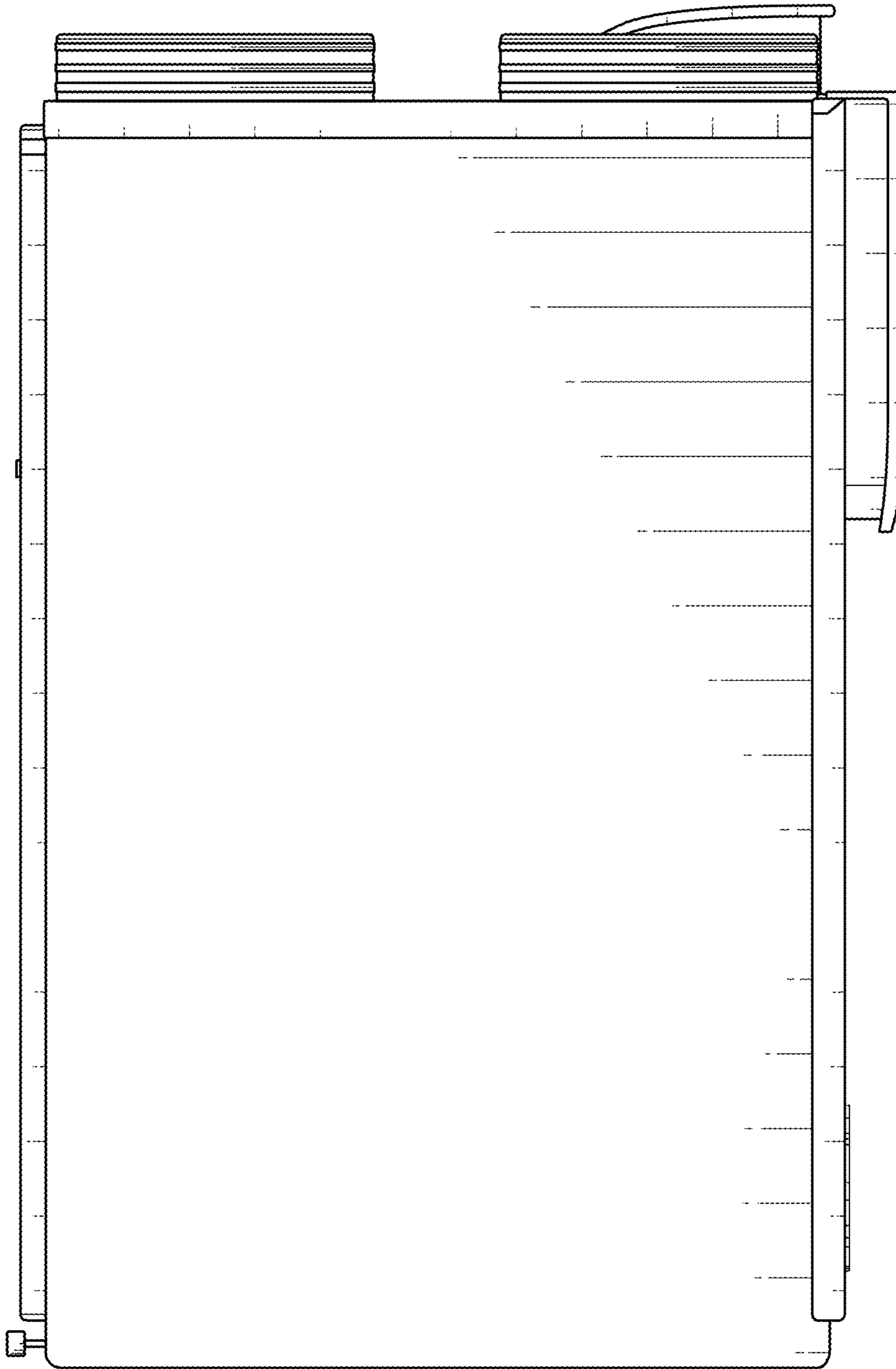


FIG. 1.5

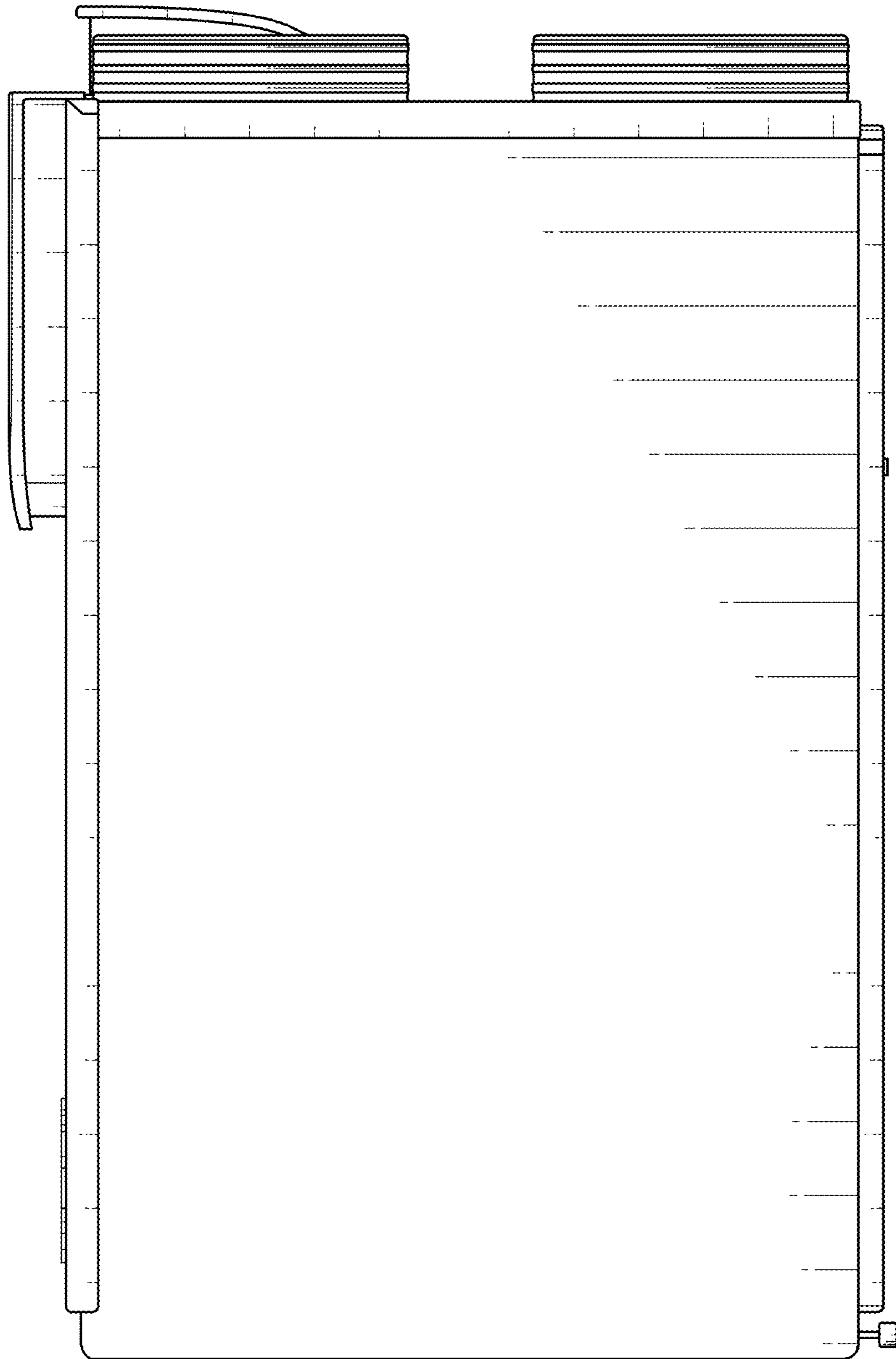


FIG. 1.6

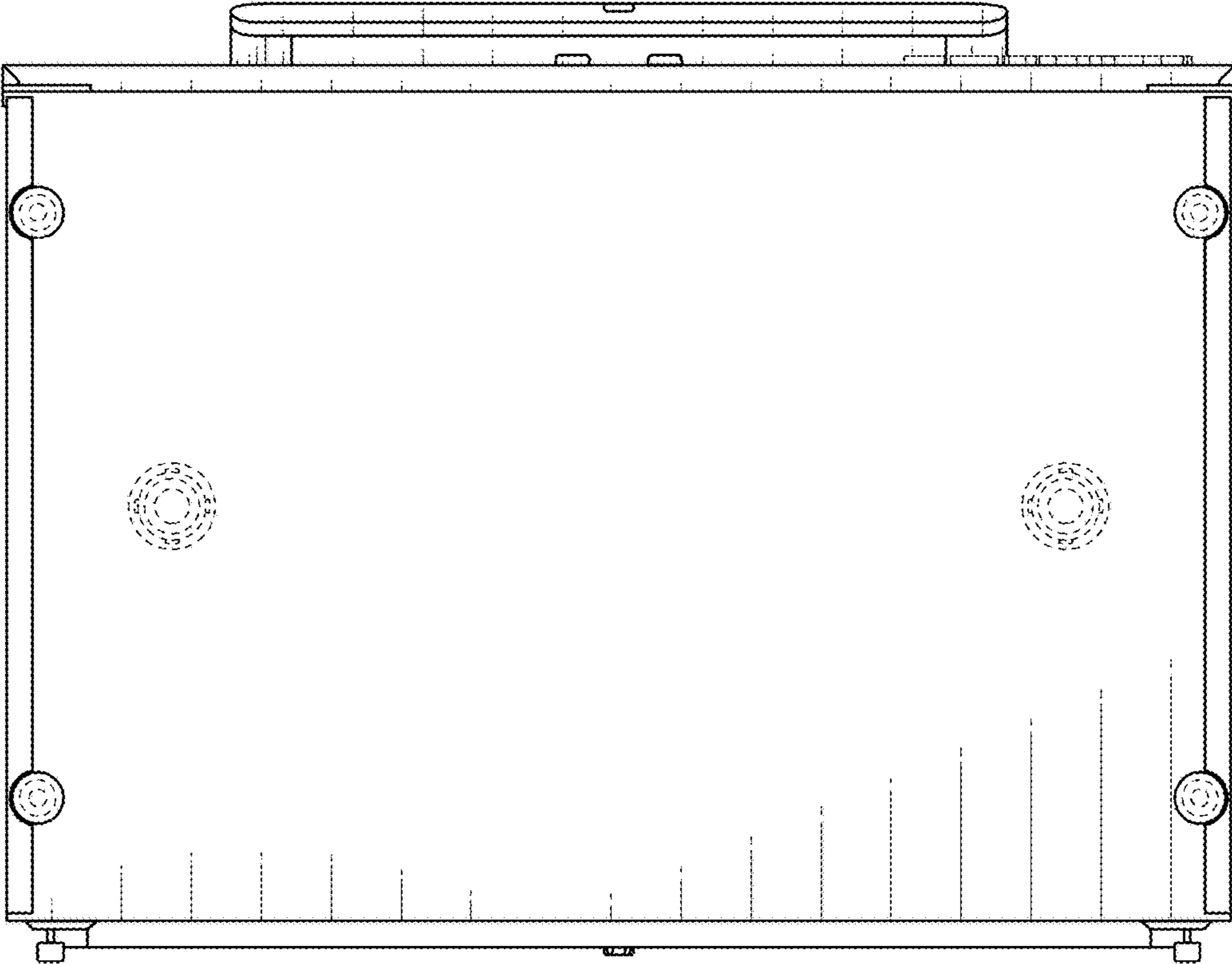


FIG. 1.7