



US00D827796S

(12) **United States Design Patent**  
**Torres Martín**

(10) **Patent No.:** **US D827,796 S**  
(45) **Date of Patent:** **\*\* Sep. 4, 2018**

(54) **HEATER**

(71) Applicant: **Actervis GmbH**, Baar/Zug (CH)

(72) Inventor: **Juan Ramón Torres Martín**,  
Barcelona (ES)

(73) Assignee: **Actervis GmbH**, Barr/Zug (CH)

(\*\*) Term: **15 Years**

(21) Appl. No.: **29/612,347**

(22) Filed: **Jul. 31, 2017**

(51) **LOC (11) Cl.** ..... **23-03**

(52) **U.S. Cl.**  
USPC ..... **D23/332**

(58) **Field of Classification Search**

USPC ..... D23/314, 317, 318, 319, 320, 322, 323,  
D23/325, 329, 332, 333, 335, 336, 337,  
D23/338, 339, 340, 342, 351, 352, 354,  
D23/355, 356, 357, 359, 360, 361, 362,  
D23/363, 364, 366; D10/104.1,  
D10/106.1-106.9; D22/119, 122  
CPC ..... F24H 3/00; F24H 3/0411; F24H 3/0417;  
F24H 9/0063; F24H 9/0073; F24H 9/02;  
F24H 3/082; F24H 9/2071; F24H 3/002;  
F24H 3/02; F04D 17/04; F04D 25/08;  
F04D 25/10; H05B 3/008

See application file for complete search history.

(56) **References Cited**

**U.S. PATENT DOCUMENTS**

D538,415 S \* 3/2007 Ching ..... D23/335  
D544,079 S \* 6/2007 Bucher ..... D23/335  
D636,475 S \* 4/2011 Farone ..... D23/366  
D783,435 S \* 4/2017 Kalyan ..... D10/106.2

**OTHER PUBLICATIONS**

Handy Heater <https://www.jmldirect.com/at-home/utensils-and-gadgets/handy-heater-personal-portable-digital-electric-heater/>  
Printed date Apr. 11, 2018 6 pages.\*  
Handy Heater <https://www.handyheater.com/> Printed on Apr. 11, 2018 3 pages.\*

\* cited by examiner

*Primary Examiner* — T. Chase Nelson

*Assistant Examiner* — Ania Aman

(74) *Attorney, Agent, or Firm* — Craig J. Lervick; Larkin Hoffman Daly & Lindgren, Ltd.

(57) **CLAIM**

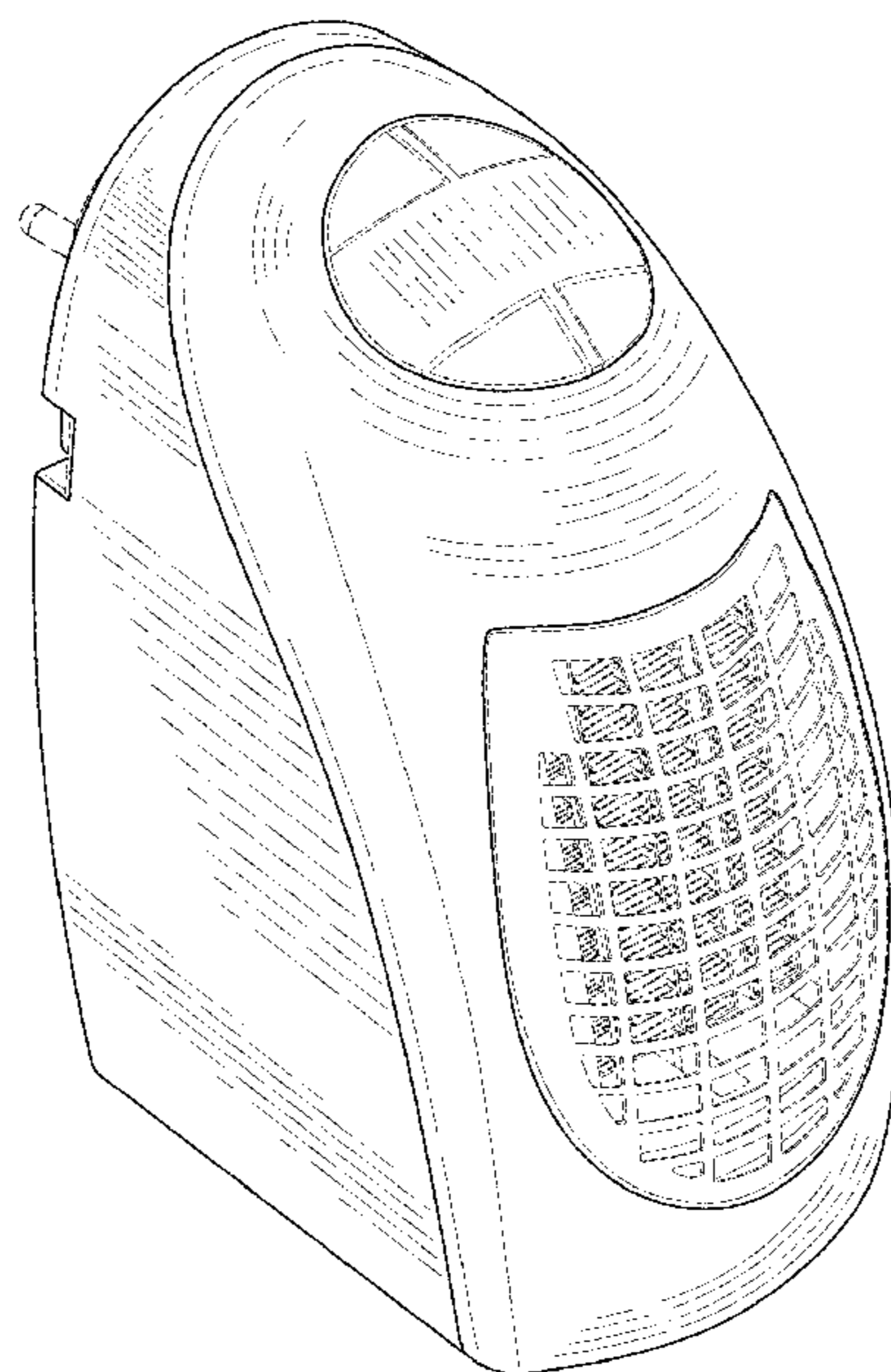
The ornamental design for heater, as shown and described.

**DESCRIPTION**

FIG. 1 is a perspective view of the heater showing my new design;  
FIG. 2 is a front view of the device illustrated in FIG. 1;  
FIG. 3 is an rear view thereof;  
FIG. 4 is a first side view thereof;  
FIG. 5 is a second side view thereof;  
FIG. 6 is a top view thereof; and,  
FIG. 7 is a bottom view thereof.

The broken lines showing an electrical plug are for the purpose of illustrating the environment in which the heater is used, and forms no part of the claimed design.

**1 Claim, 7 Drawing Sheets**



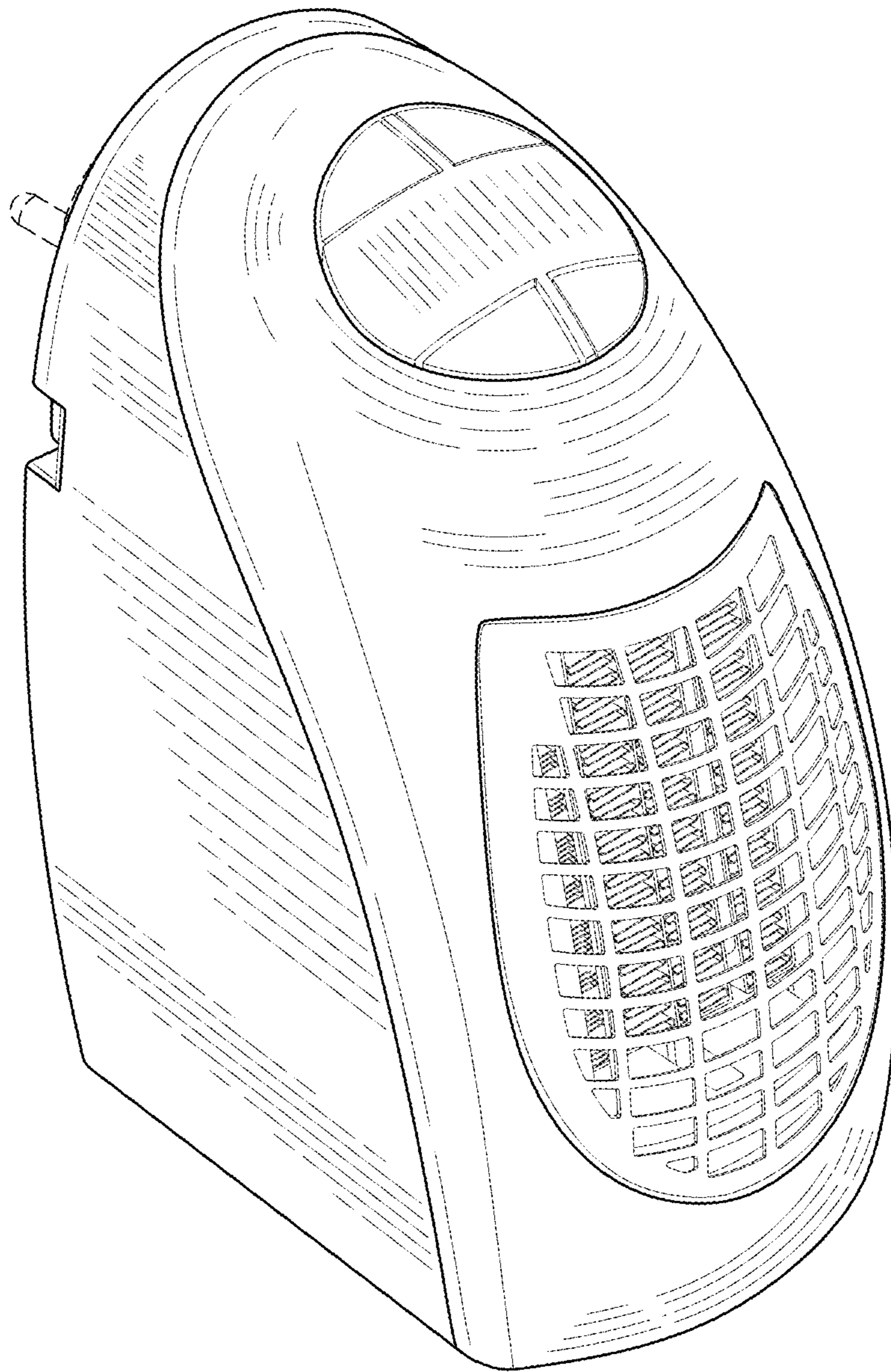


FIG. 1

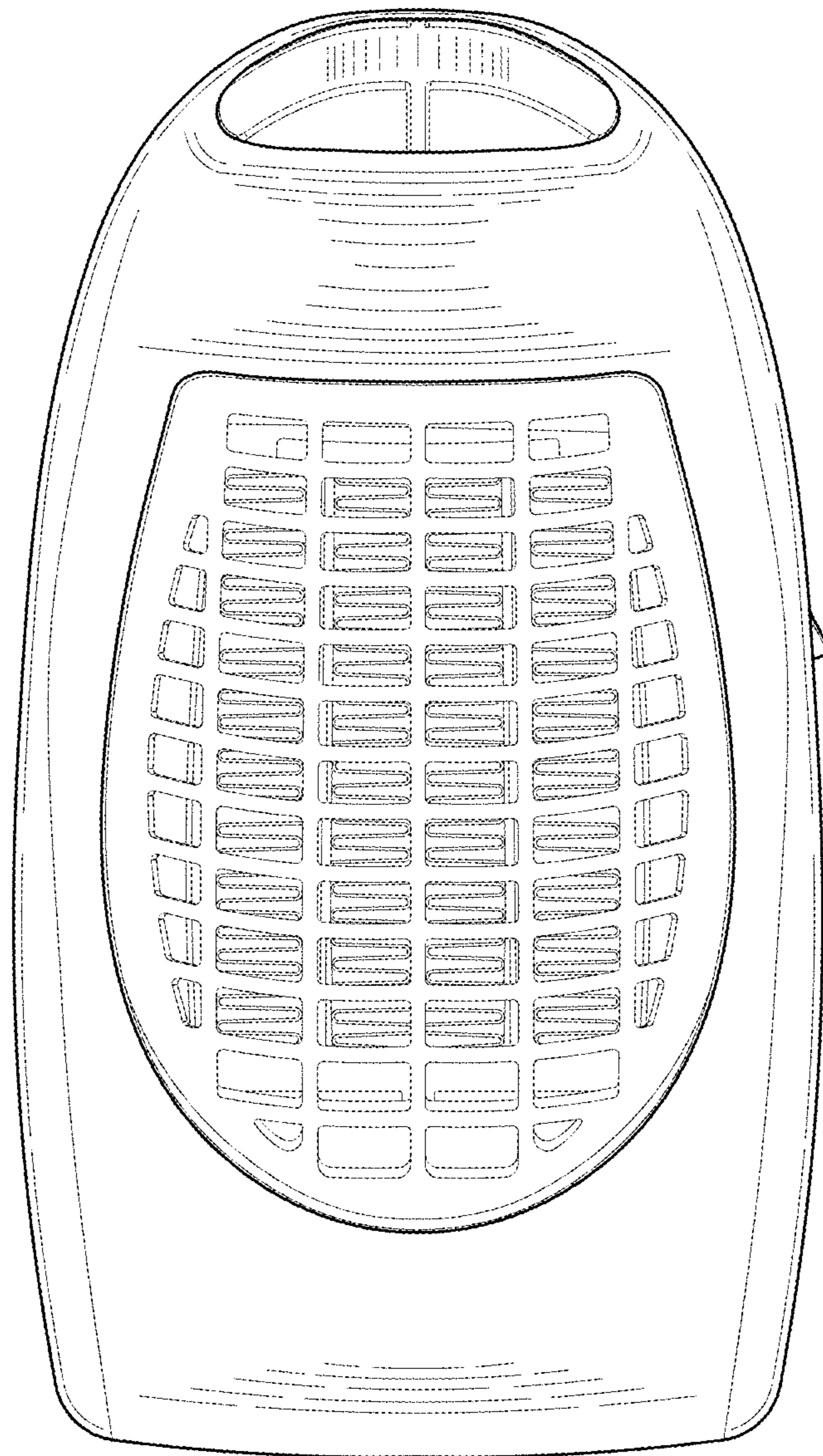


FIG. 2

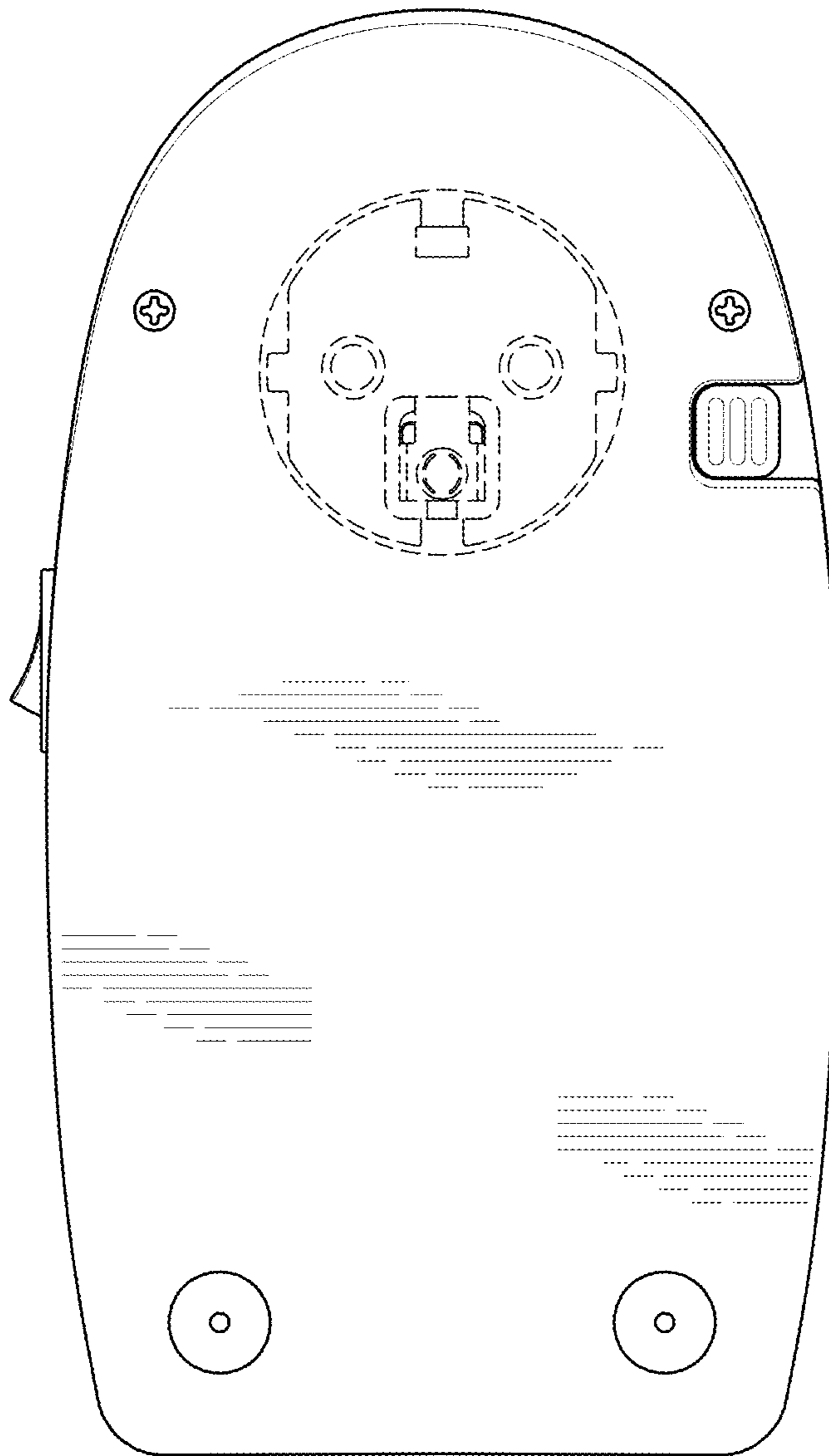


FIG. 3

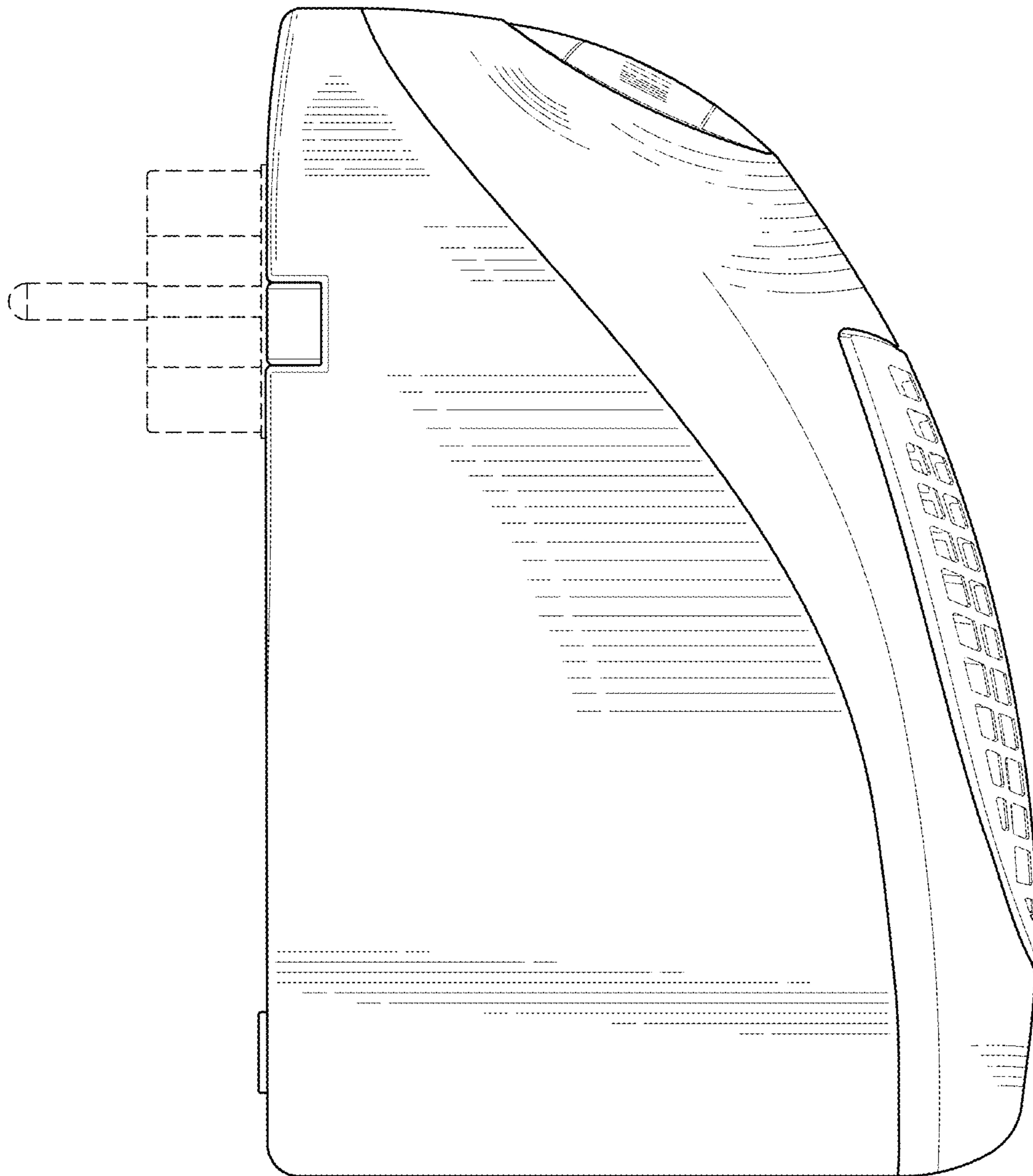


FIG. 4

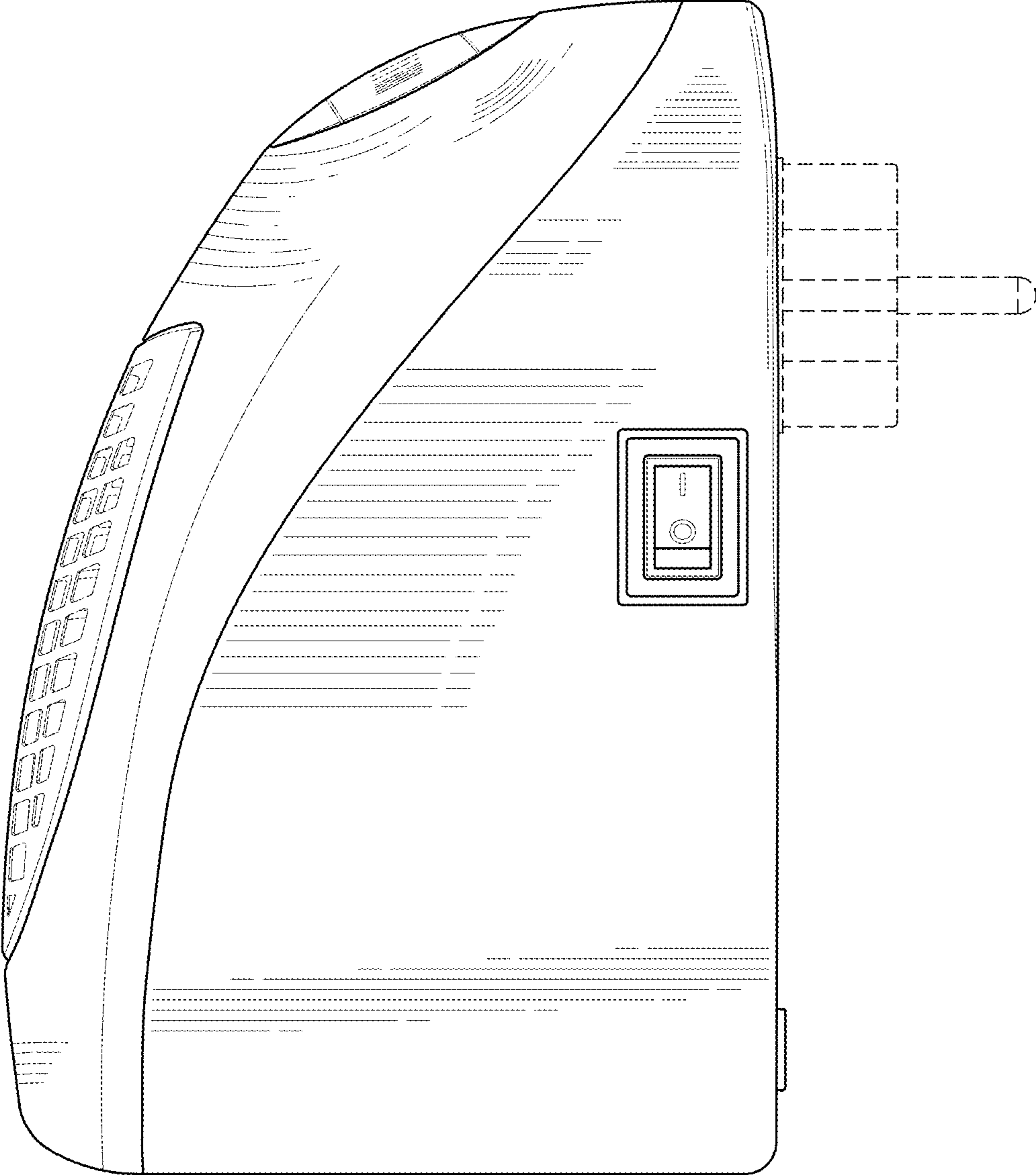


FIG. 5

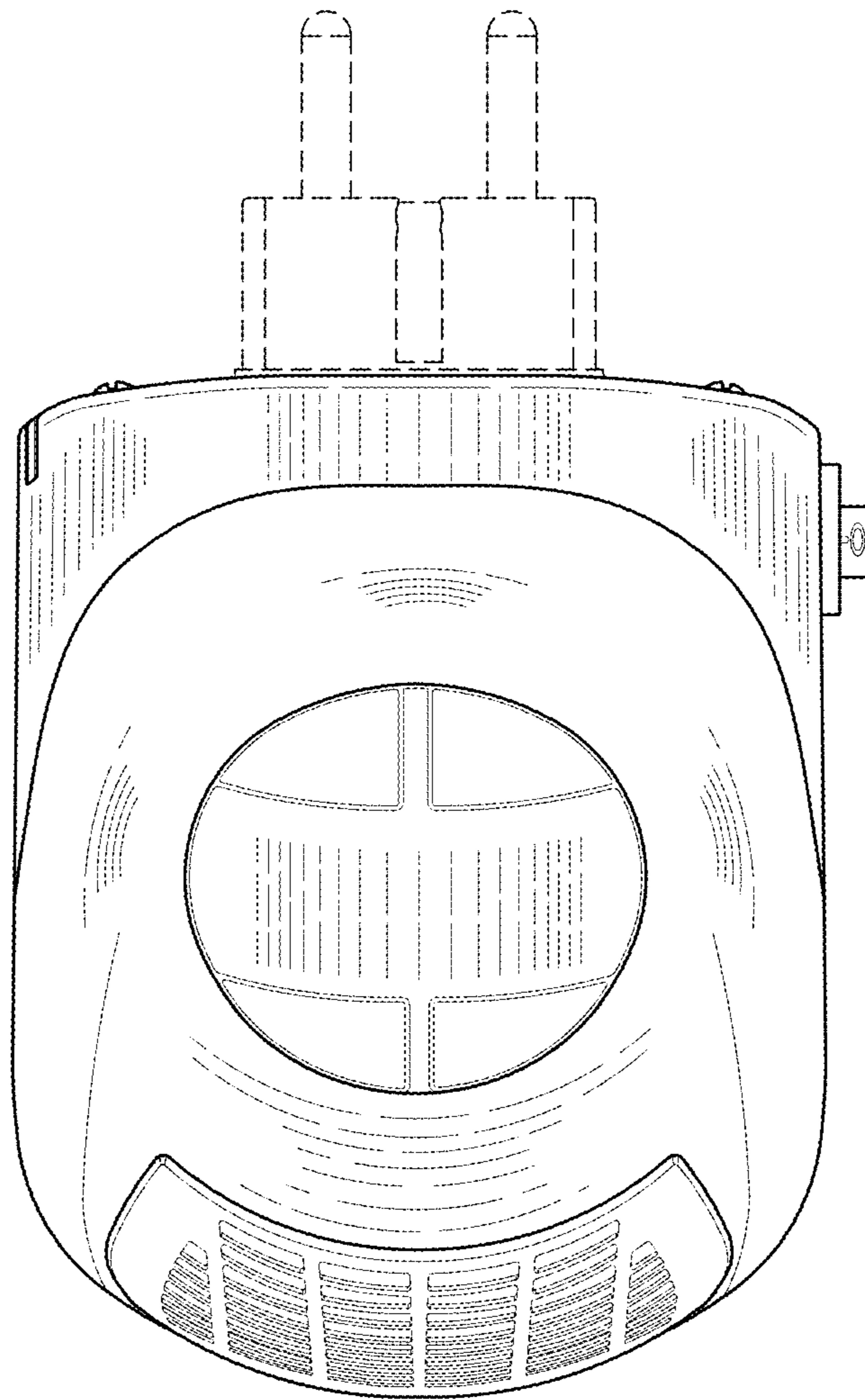


FIG. 6

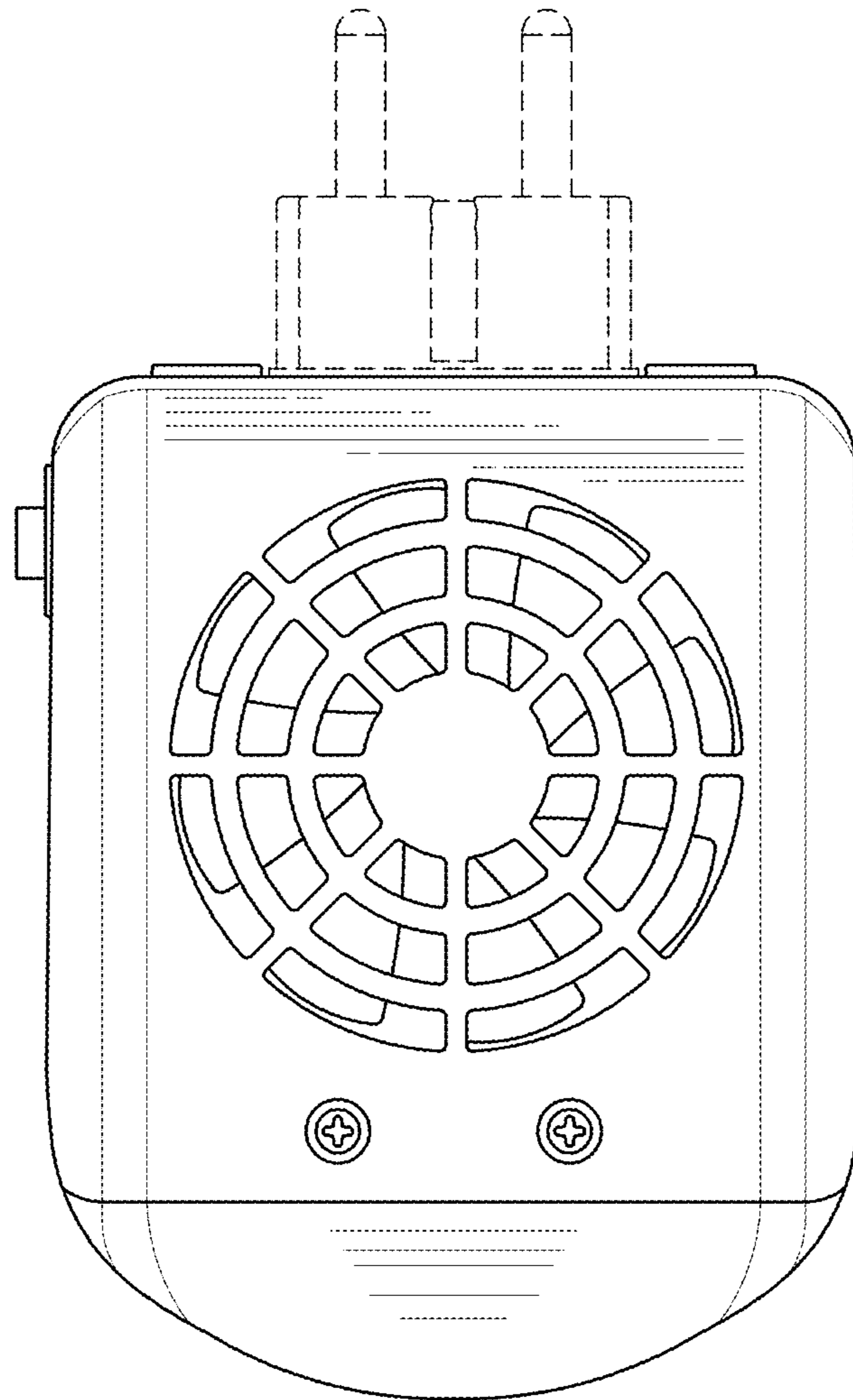


FIG. 7