



US00D827787S

(12) **United States Design Patent**
Karnegie

(10) **Patent No.:** **US D827,787 S**
(45) **Date of Patent:** **** Sep. 4, 2018**

(54) **SINK DRAIN HAIR COLLECTOR**
(71) Applicant: **Juka Innovations Corporation,**
Farmingdale, NY (US)
(72) Inventor: **Serge Karnegie,** Glen Cove, NY (US)
(73) Assignee: **JUKA INNOVATIONS**
CORPORATION, Farmingdale, NY
(US)

D246,109 S 10/1977 Rosaen
6,263,518 B1 * 7/2001 Magtanong E03C 1/26
4/286
6,308,350 B1 * 10/2001 Marchionda E03C 1/282
4/292

(Continued)

(**) Term: **15 Years**
(21) Appl. No.: **29/648,202**
(22) Filed: **May 18, 2018**

FOREIGN PATENT DOCUMENTS

WO DM/091 585 3/2016

OTHER PUBLICATIONS

Bigwinner 1.5" Bathtub Kitchen Shower Hair Catcher Silicone Sink Drain Strainer Stopper US, Earliest Update Jun. 24, 2018 [Visited Online Jul. 1, 2018] https://www.ebay.com/itm/1-5-Bathtub-Kitchen-Shower-Hair-Catcher-Silicone-Sink-Drain-Strainer-Stopper-US/263761917601?hash=item3d696f76a1:g:C1AAAOSwpHpbJWmh.*

(Continued)

Primary Examiner — Eric L Goodman
Assistant Examiner — Amy C Wierenga

Related U.S. Application Data
(63) Continuation-in-part of application No. 29/644,282, filed on Apr. 16, 2018, which is a continuation-in-part of application No. 29/641,385, filed on Mar. 21, 2018, which is a continuation-in-part of application No. 15/921,435, filed on Mar. 14, 2018, which is a continuation-in-part of application No. 15/464,576, filed on Mar. 21, 2017, which is a continuation-in-part of application No. 14/990,476, filed on Jan. 7, 2016.

(51) **LOC (11) Cl.** **23-01**
(52) **U.S. Cl.**
USPC **D23/261**

(58) **Field of Classification Search**
USPC D23/259–261, 208–210; D7/399, 400;
210/156, 162–165; 4/286–287, 290,
4/292–293, 295, 680–682, 689, 693
CPC E03C 1/03; E03C 1/22; E03C 1/23; E03C
1/26; E03C 1/262; E03C 1/264; B01D
39/16
See application file for complete search history.

(57) **CLAIM**

The ornamental design for a sink drain hair collector, as shown and described.

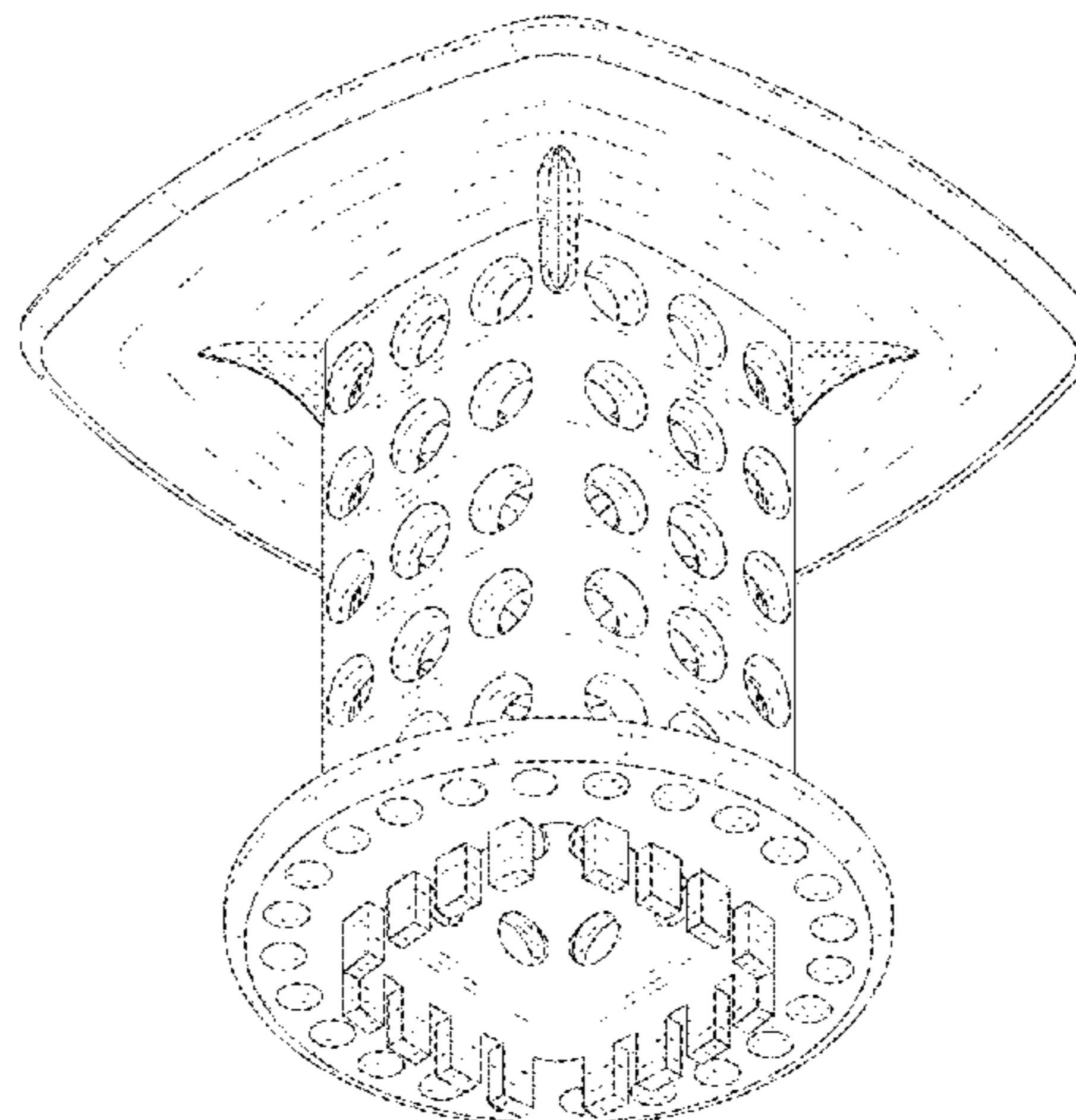
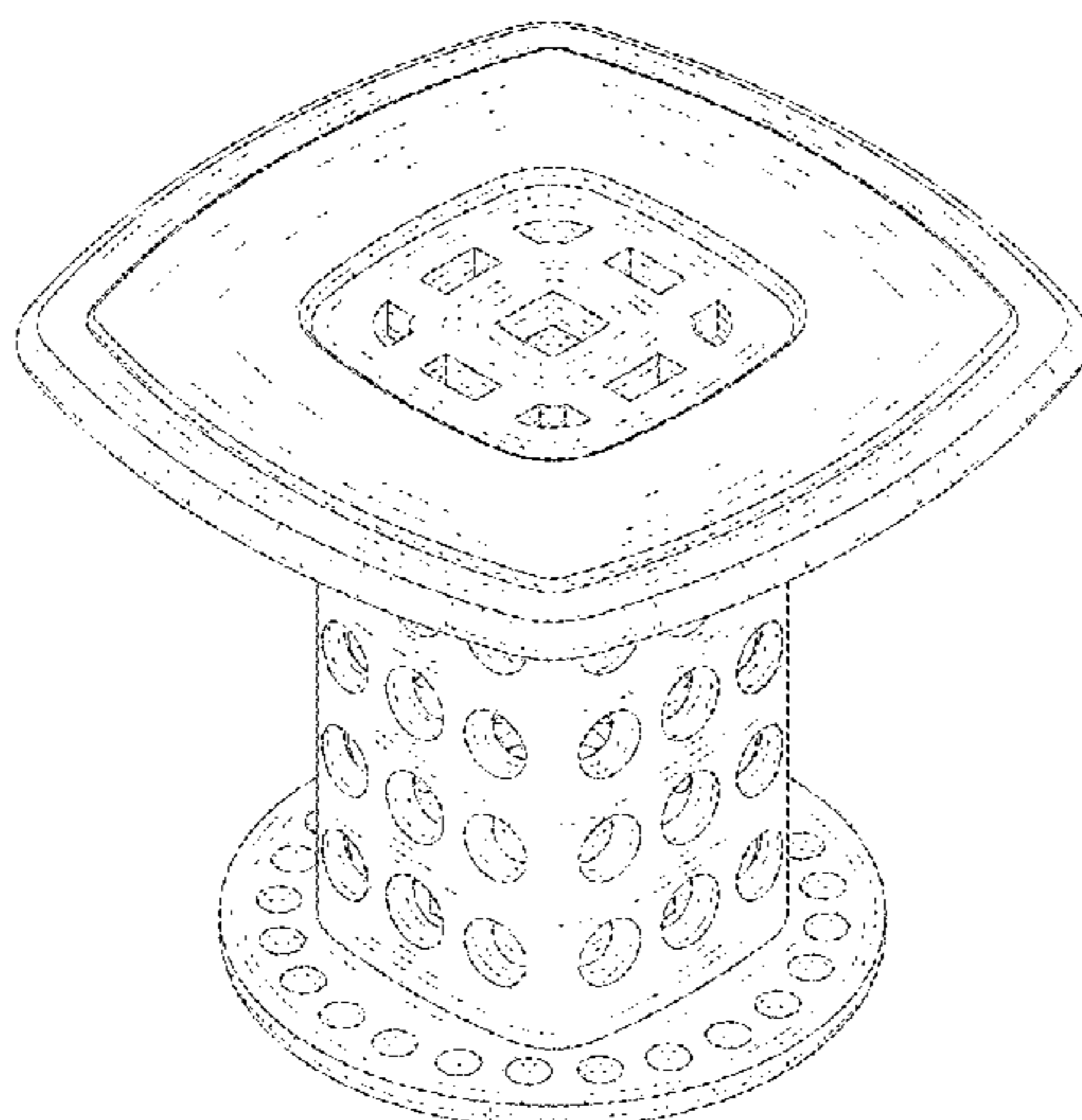
DESCRIPTION

FIG. 1 is a top perspective view of a sink drain hair collector showing my new design;
FIG. 2 is a bottom perspective view thereof;
FIG. 3 is a front elevational view thereof, the rear elevational view, left elevational view, and right elevational view being identical thereto;
FIG. 4 is a top plan view thereof;
FIG. 5 is a bottom plan view thereof; and,
FIG. 6 is a cross sectional view taken along line 6-6 in FIG. 4.

(56) **References Cited**
U.S. PATENT DOCUMENTS

2,285,833 A * 6/1942 Platt E03C 1/264
210/238
2,337,331 A * 12/1943 Kirschner E03C 1/262
4/287

1 Claim, 6 Drawing Sheets



(56)

References Cited

U.S. PATENT DOCUMENTS

6,387,261 B1 * 5/2002 Mojena B01D 24/008
210/315
7,376,983 B1 * 5/2008 Sciarrino E03C 1/264
4/288
D643,508 S 8/2011 Wilkinson
D650,471 S * 12/2011 Du D23/268
D742,482 S 11/2015 Wall
D747,140 S 1/2016 Roth
D783,134 S 4/2017 Karnegie
D785,767 S 5/2017 Karnegie
D794,759 S 8/2017 Karnegie
2004/0255378 A1 * 12/2004 Tracy E03C 1/23
4/689
2015/0321127 A1 * 11/2015 Arent E03C 1/264
210/232
2016/0251839 A1 * 9/2016 Ali E03C 1/262
4/287

OTHER PUBLICATIONS

Bigwinner Drain Hair Catcher; Copyright 2018, [Visited Online Jul. 1, 2018] https://www.amazon.com/BIGWINNER-Catcher-Clogging-Stand-Up-Bathtub%EF%BC%88Orange%EF%BC%89/dp/B07C1LR9T5/ref=pd_rhf_dp_s_rhf_cp_ss_1_2?encoding=UTF8&pd_rd_i=B07C1LR9T5&pd_rd_r=YZZ7BF4H4QJCS3N13RD2&pd_rd_w=39zpu&pd_rd_wg=LO3Kw&pf_rd_i=desкто.*

* cited by examiner

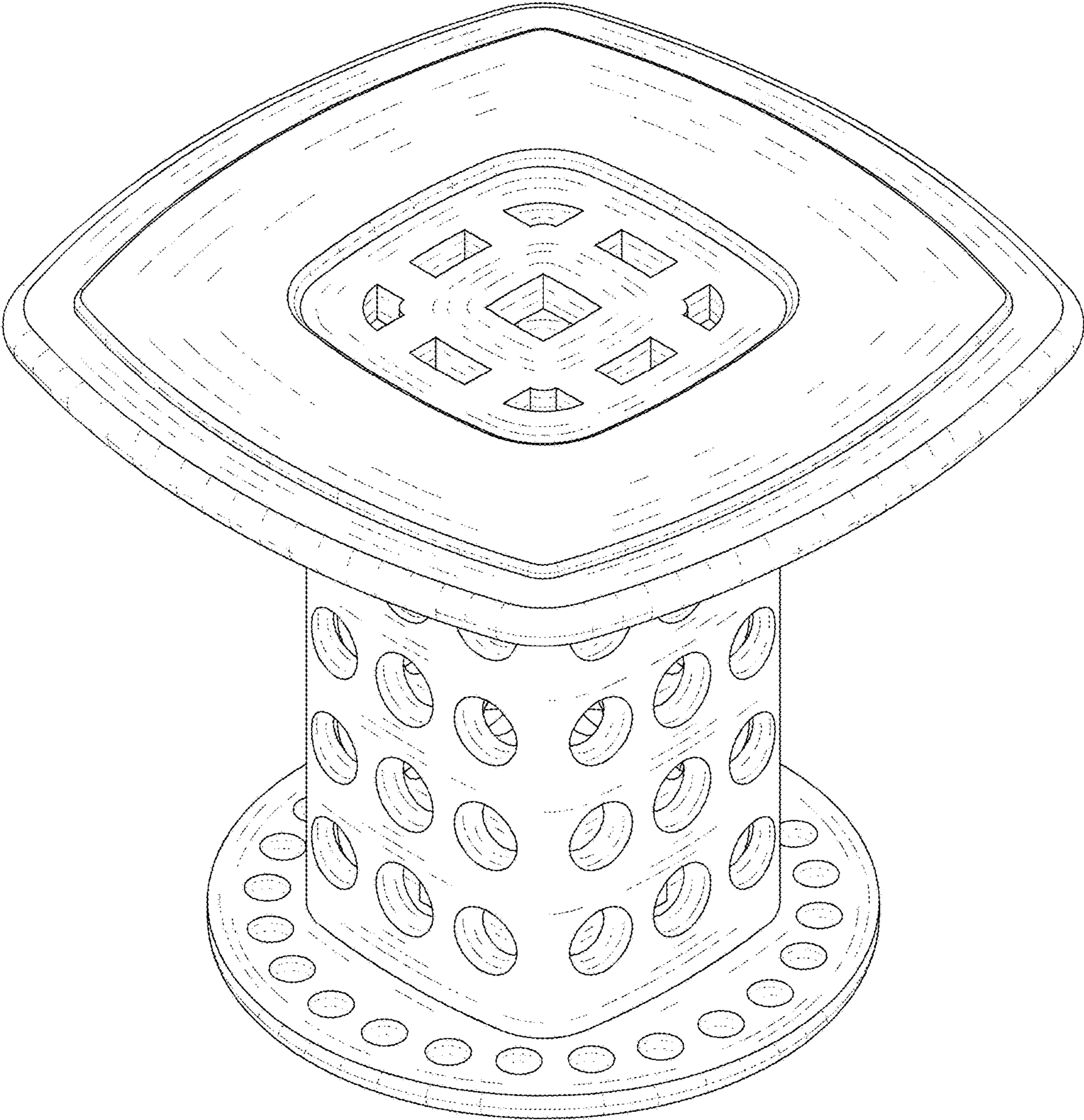


FIG. 1

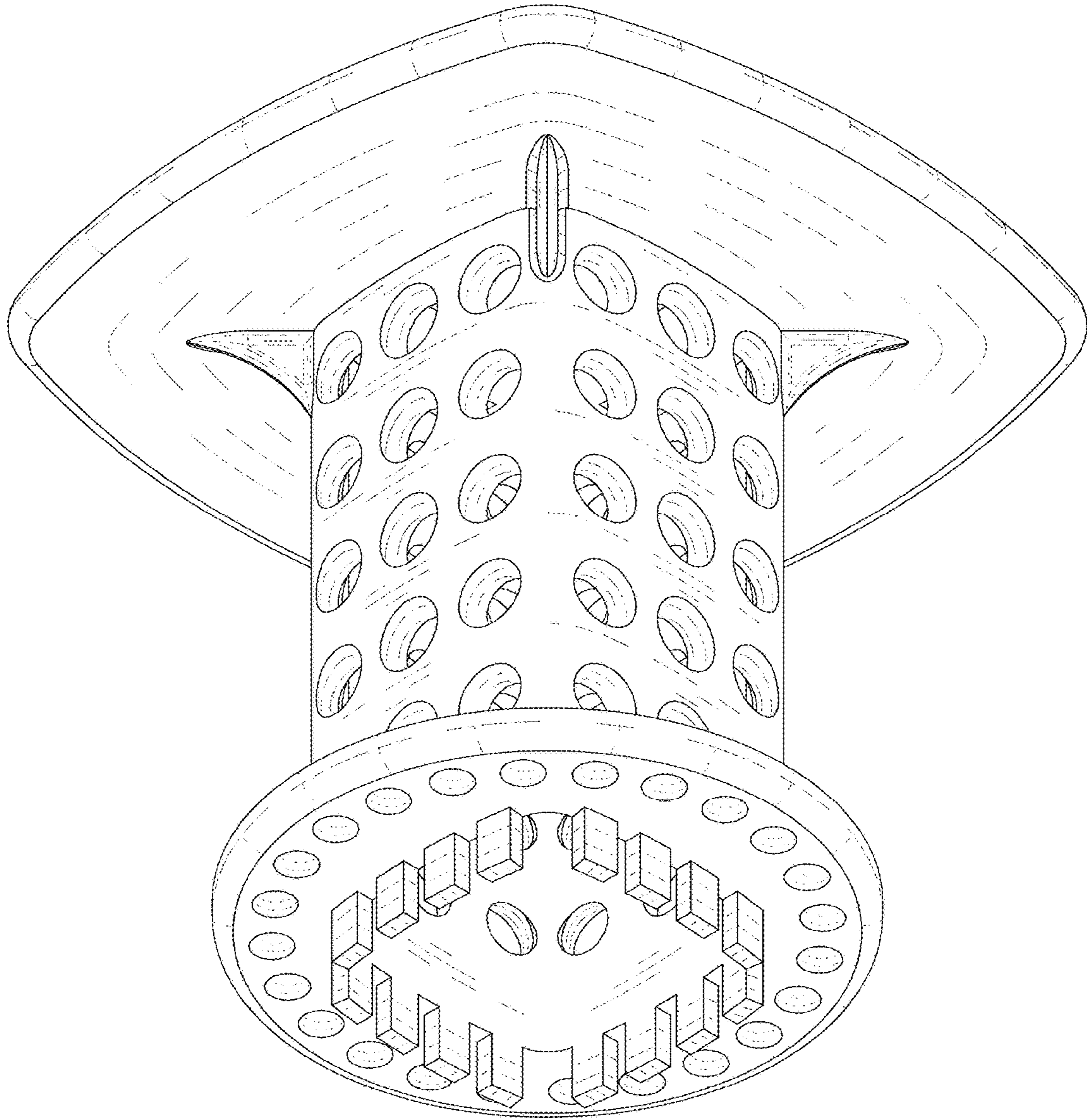


FIG. 2

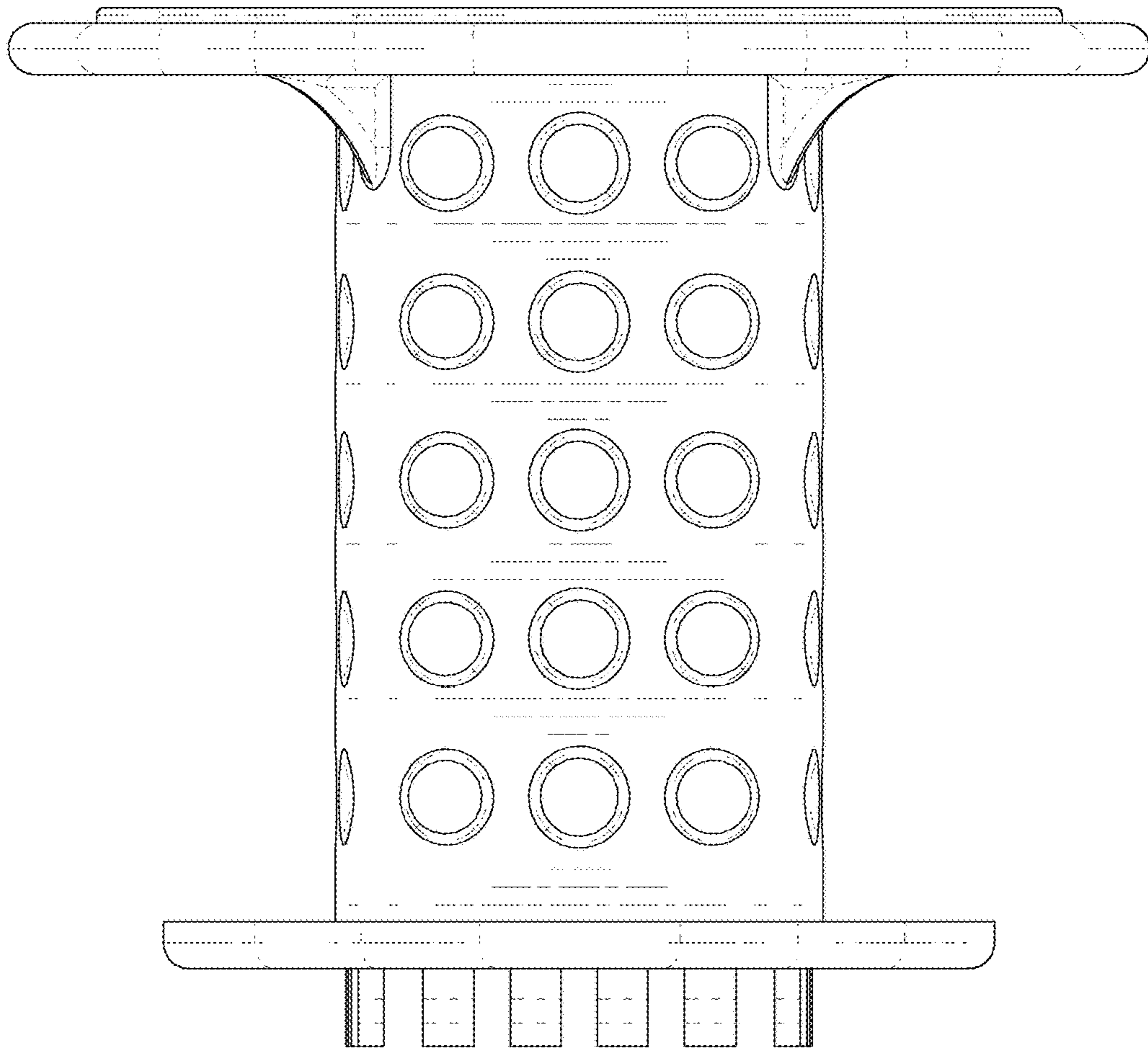


FIG. 3

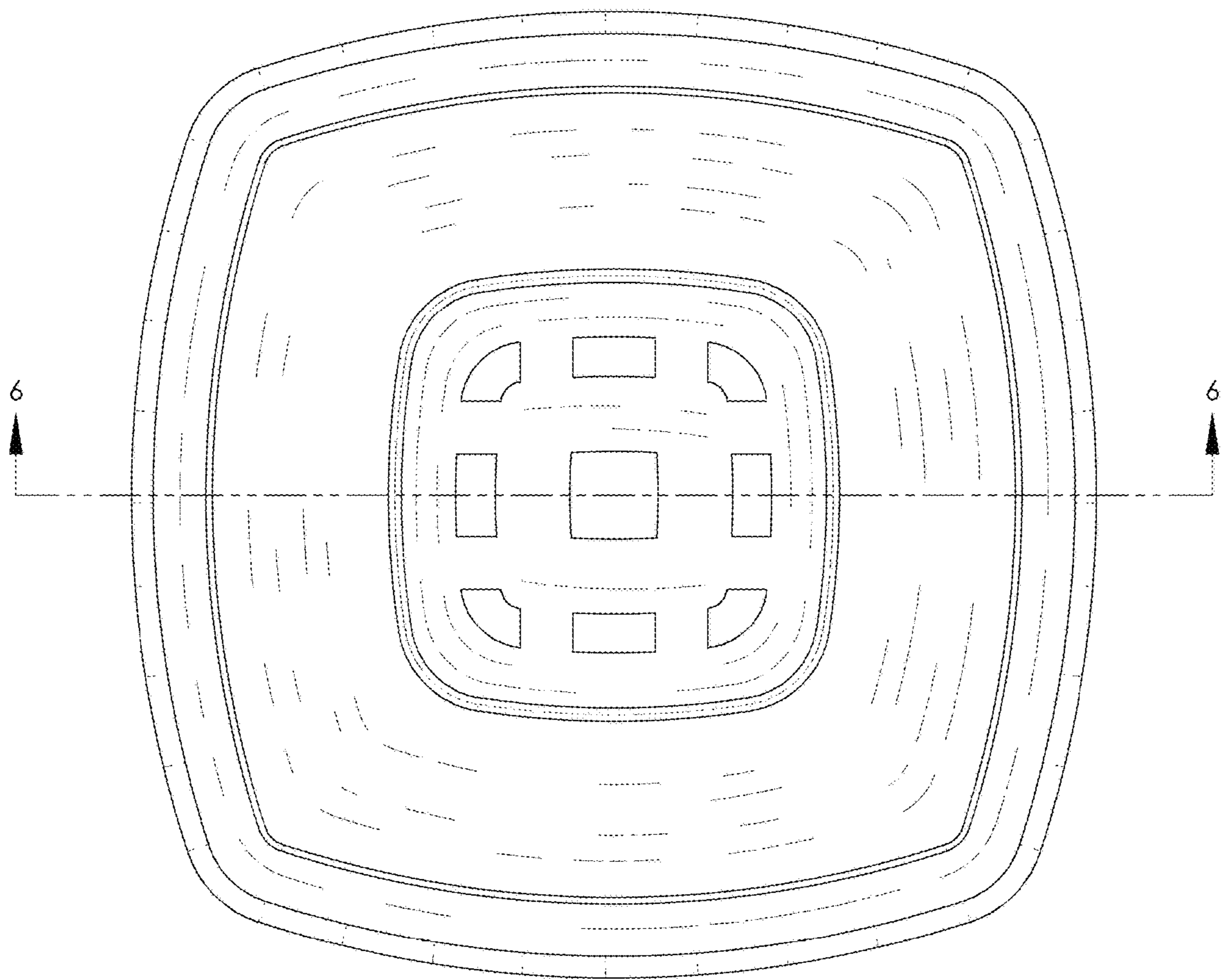


FIG. 4

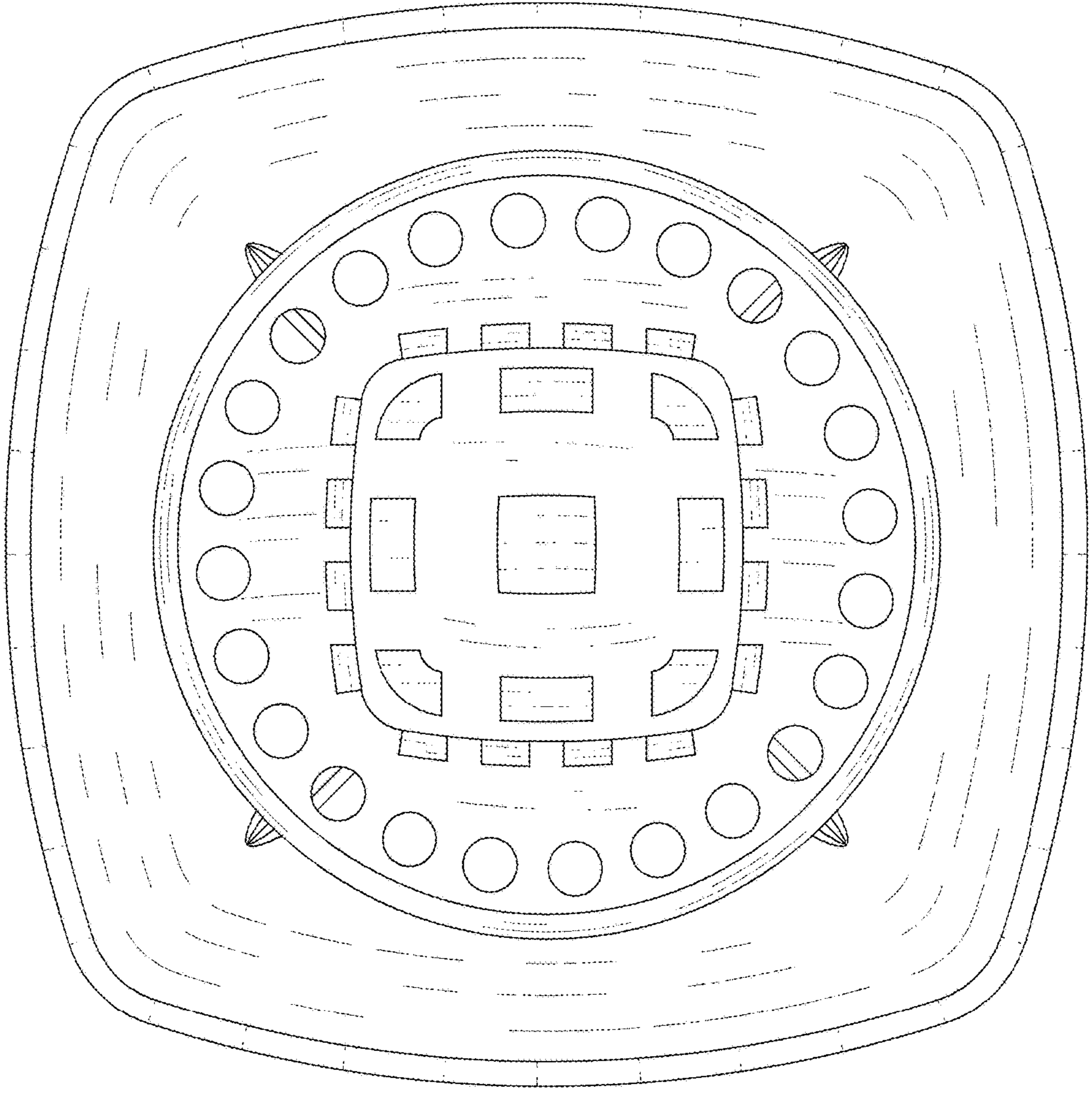


FIG. 5

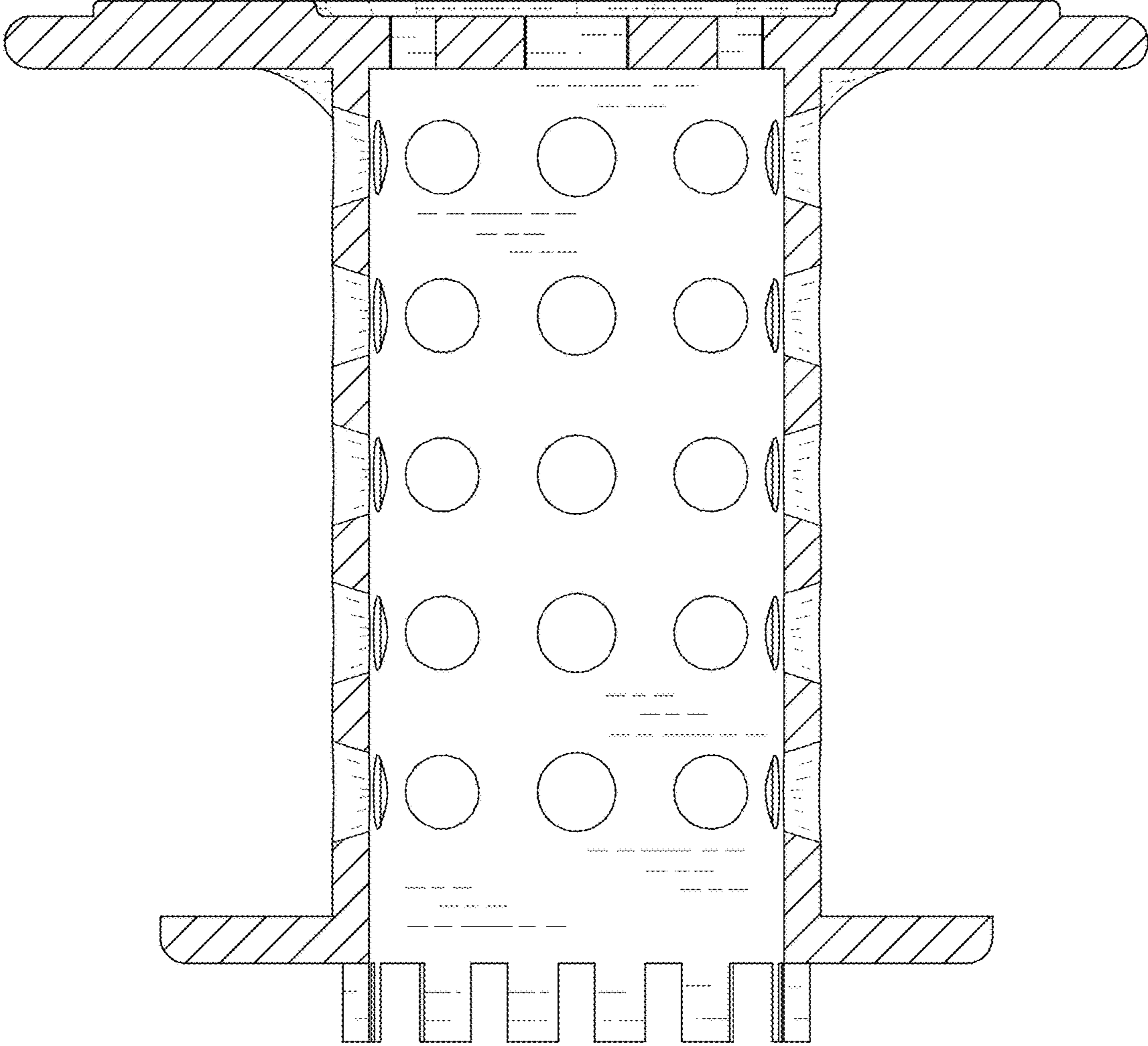


FIG. 6