



US00D827786S

(12) **United States Design Patent**
Buysse

(10) **Patent No.:** **US D827,786 S**

(45) **Date of Patent:** **** Sep. 4, 2018**

(54) **PLUMBING FITTING DISPENSER WITH COVER FOR A BATHTUB**

(71) Applicant: **Rene Buysse**, Fallbrook, CA (US)

(72) Inventor: **Rene Buysse**, Fallbrook, CA (US)

(**) Term: **15 Years**

(21) Appl. No.: **29/572,336**

(22) Filed: **Jul. 27, 2016**

Related U.S. Application Data

(63) Continuation-in-part of application No. 14/535,024, filed on Nov. 6, 2014, now abandoned.

(51) **LOC (11) Cl.** **23-01**

(52) **U.S. Cl.**
USPC **D23/259**

(58) **Field of Classification Search**
USPC D23/259-261, 213, 303-304, 233-237, D23/254, 257; 4/694, 671-674
CPC ... E03C 1/23; E03C 1/26; E03C 1/262; E03C 1/232; E03C 1/24; E03C 2201/80
See application file for complete search history.

(56) **References Cited**

U.S. PATENT DOCUMENTS

D248,769 S *	8/1978	Jetter	D23/254
D277,696 S *	2/1985	Doman	D23/261
D305,455 S *	1/1990	Stairs, Jr.	D23/254
D317,817 S *	6/1991	Stairs, Jr.	D23/254
D336,948 S *	6/1993	Frankel	D23/261

6,138,298 A *	10/2000	Ball	E03C 1/24 4/694
D482,431 S *	11/2003	Ball	D23/234
D501,244 S *	1/2005	Bantz	D23/261
D682,996 S *	5/2013	Feliciano	D23/261
2012/0204345 A1 *	8/2012	Ball	E03C 1/244 4/694
2013/0031720 A1 *	2/2013	Homami	E03C 1/244 4/694
2014/0259386 A1 *	9/2014	Antoniello	E03C 1/244 4/694
2015/0211218 A1 *	7/2015	Buysse	E03C 1/24 4/694

* cited by examiner

Primary Examiner — Eric L Goodman
Assistant Examiner — Amy C Wierenga

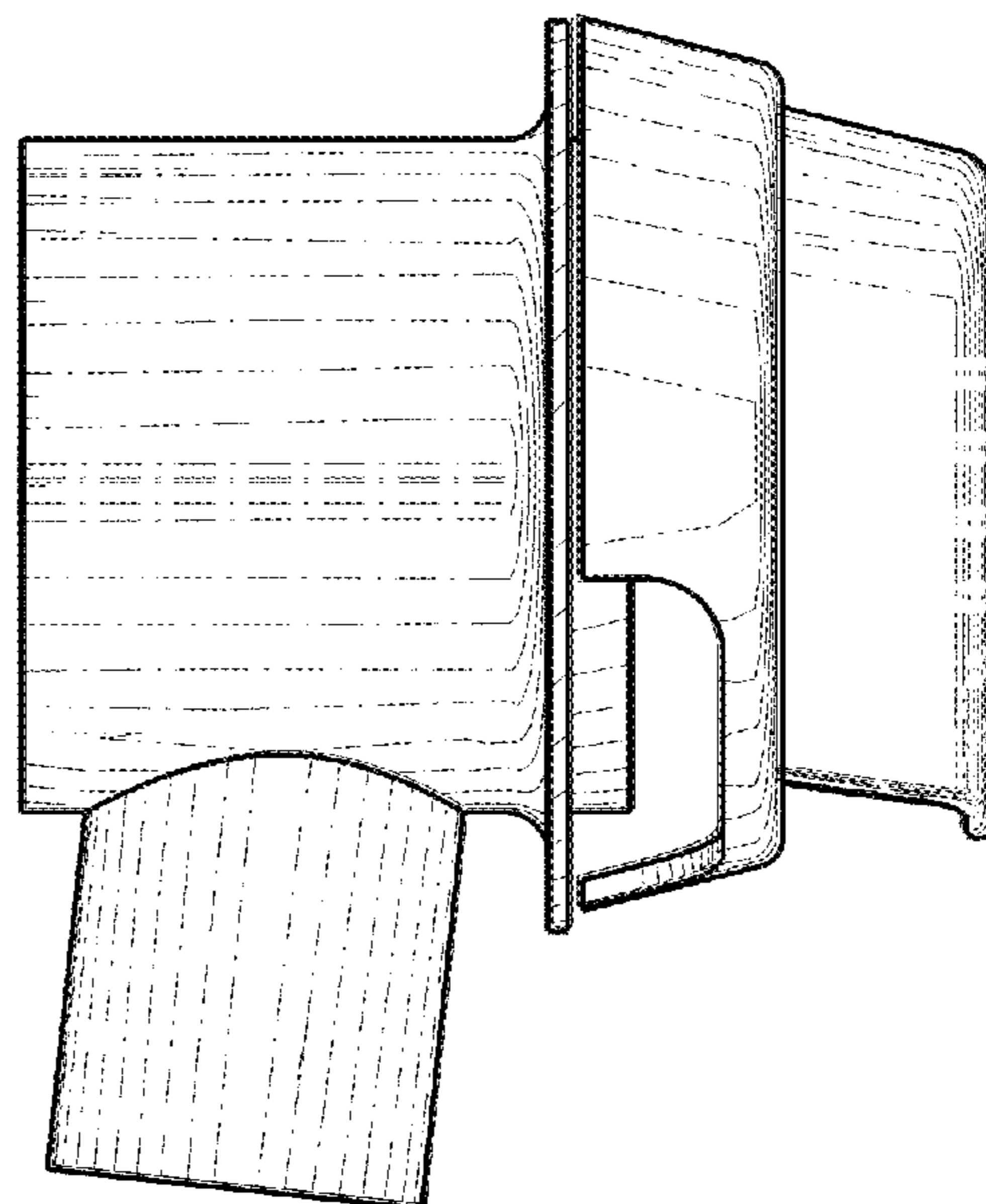
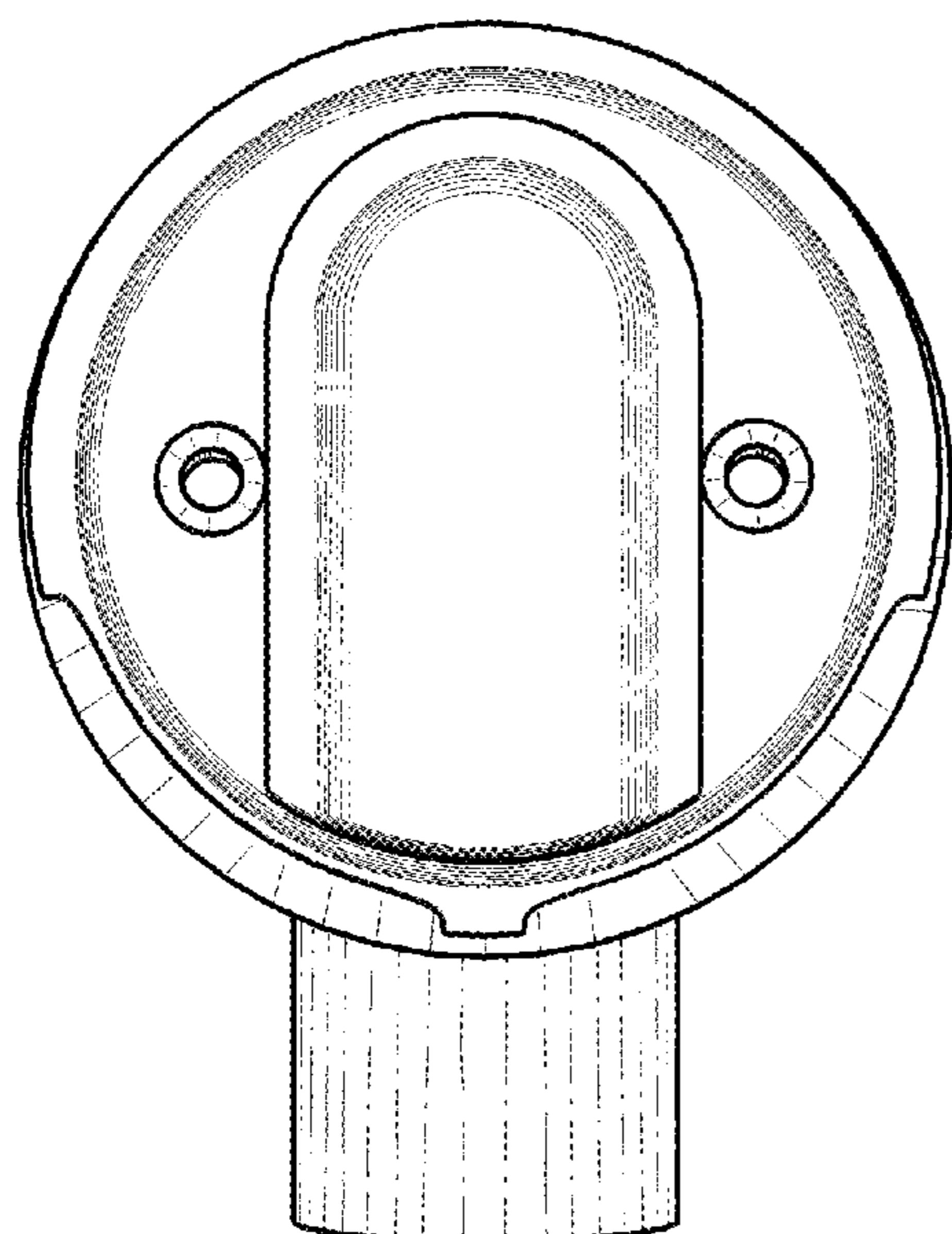
(57) **CLAIM**

The ornamental design for a plumbing fitting dispenser with cover for a bathtub, as shown and described.

DESCRIPTION

FIG. 1 is a front view of a plumbing fitting dispenser with cover for a bathtub;
FIG. 2 is a back view thereof;
FIG. 3 is one side view thereof;
FIG. 4 is the opposite side view thereof;
FIG. 5 is a top view thereof;
FIG. 6 is a bottom view thereof;
FIG. 7 is one side perspective view thereof;
FIG. 8 is the opposite side perspective view thereof; and,
FIG. 9 is an exploded side view thereof.

1 Claim, 9 Drawing Sheets



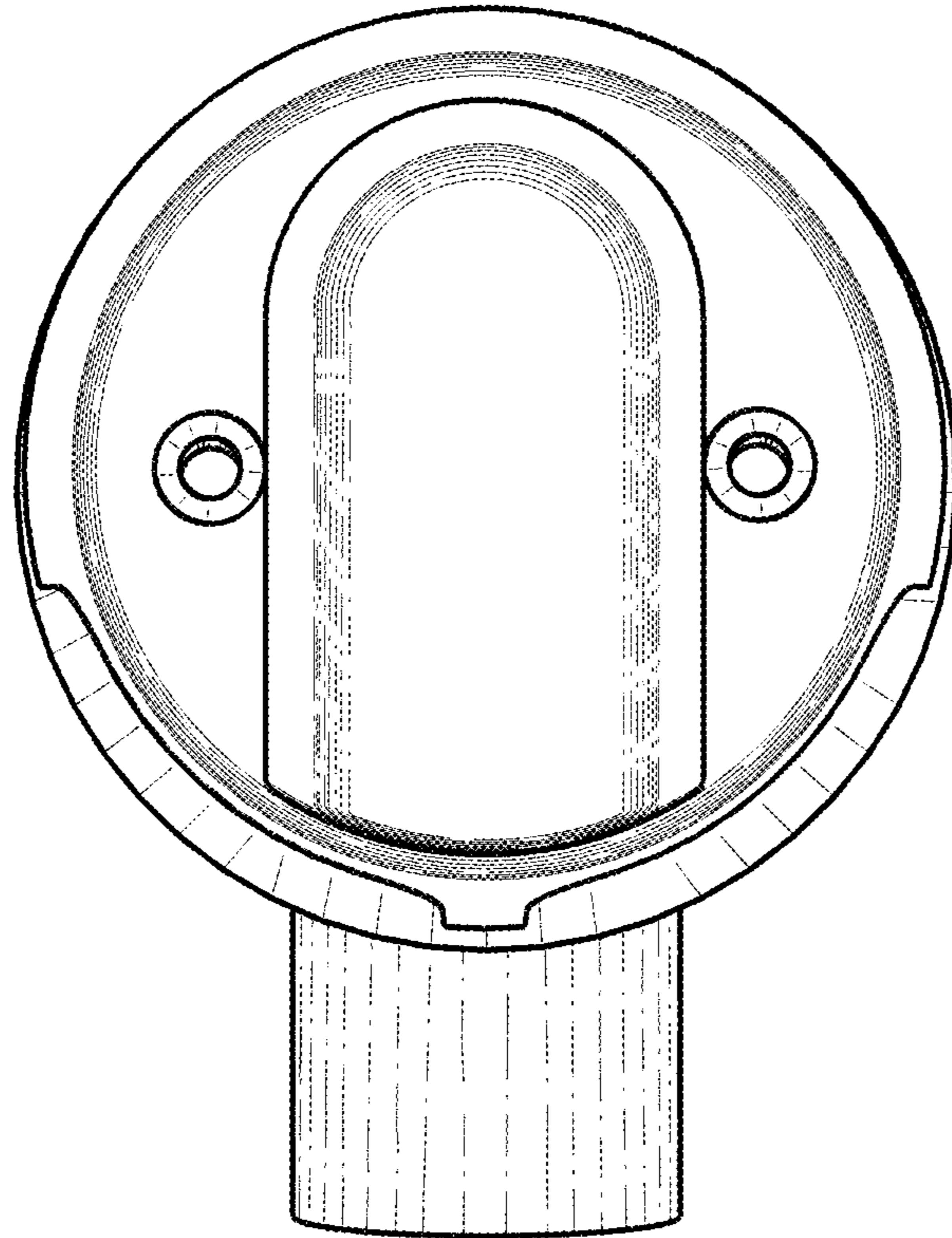


FIG. 1

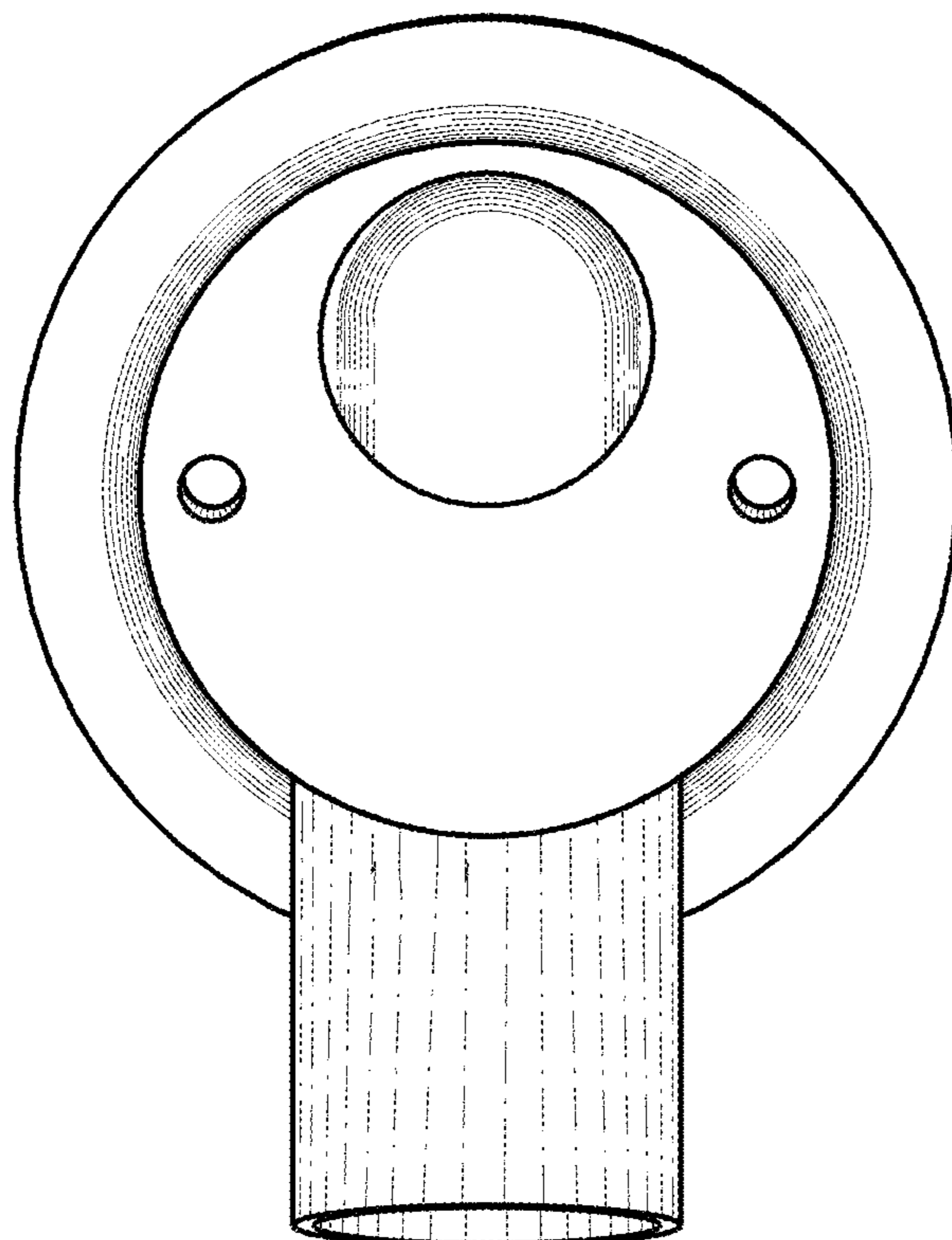


FIG. 2

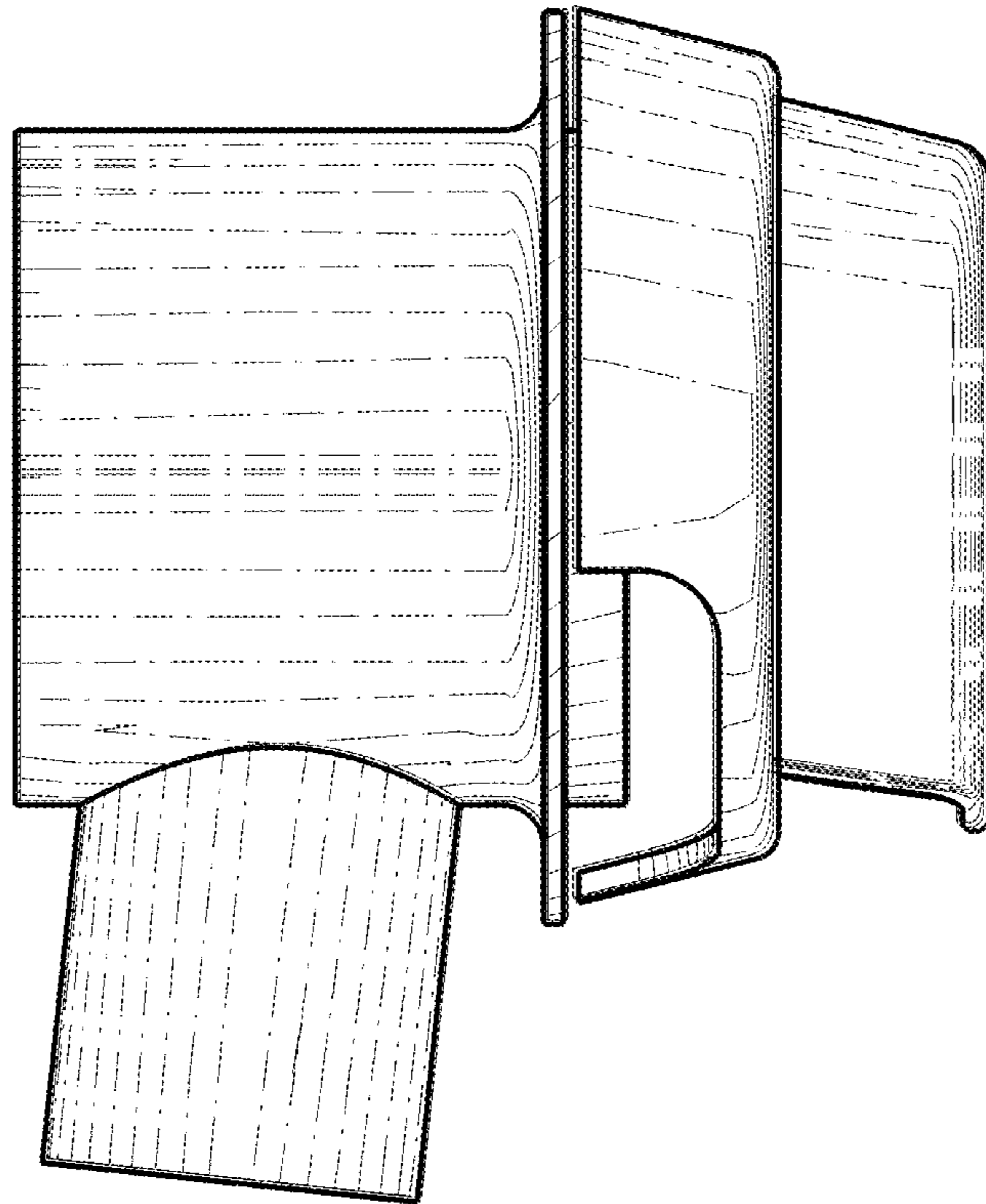


FIG. 3

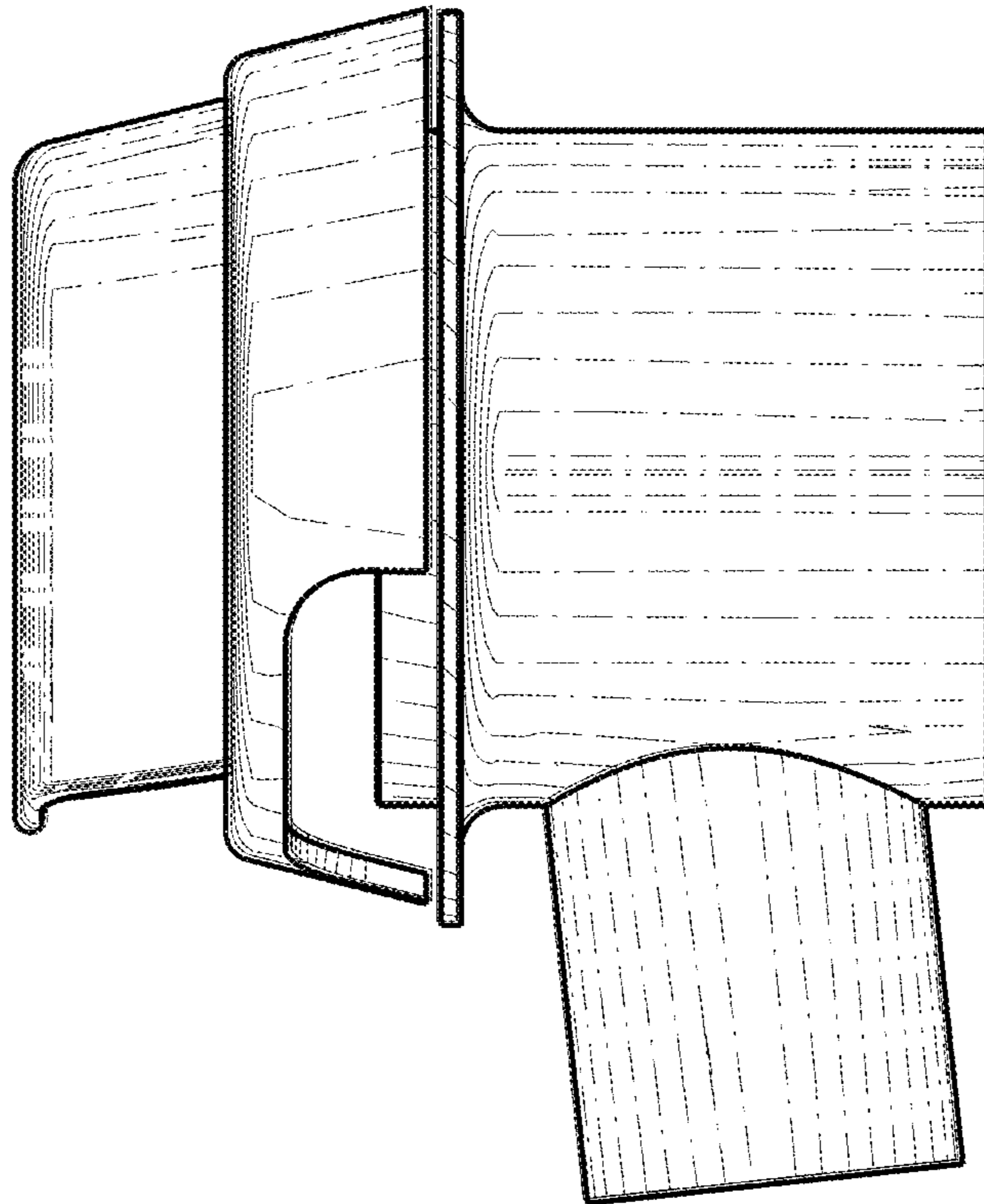


FIG. 4

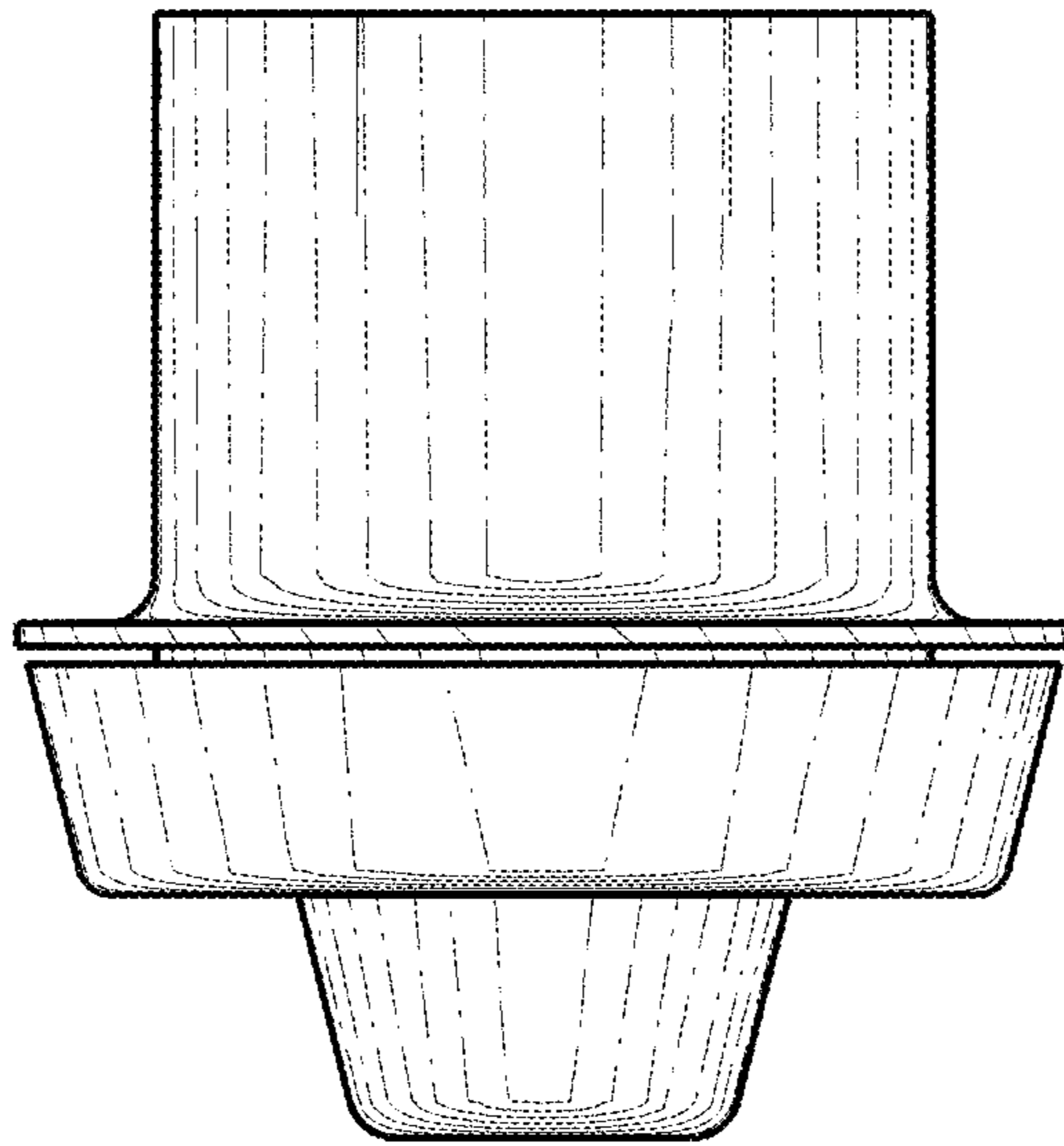


FIG. 5

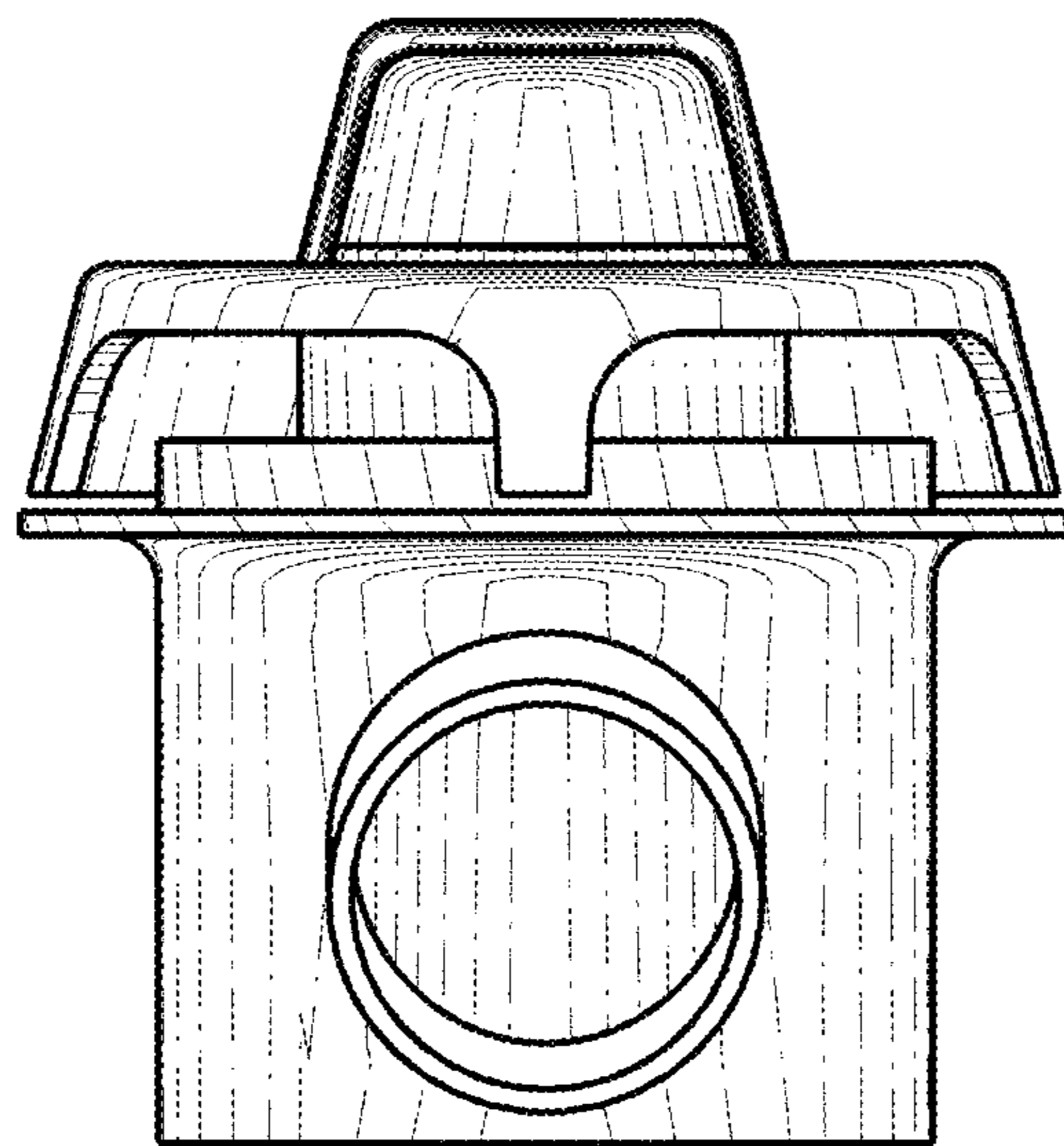


FIG. 6

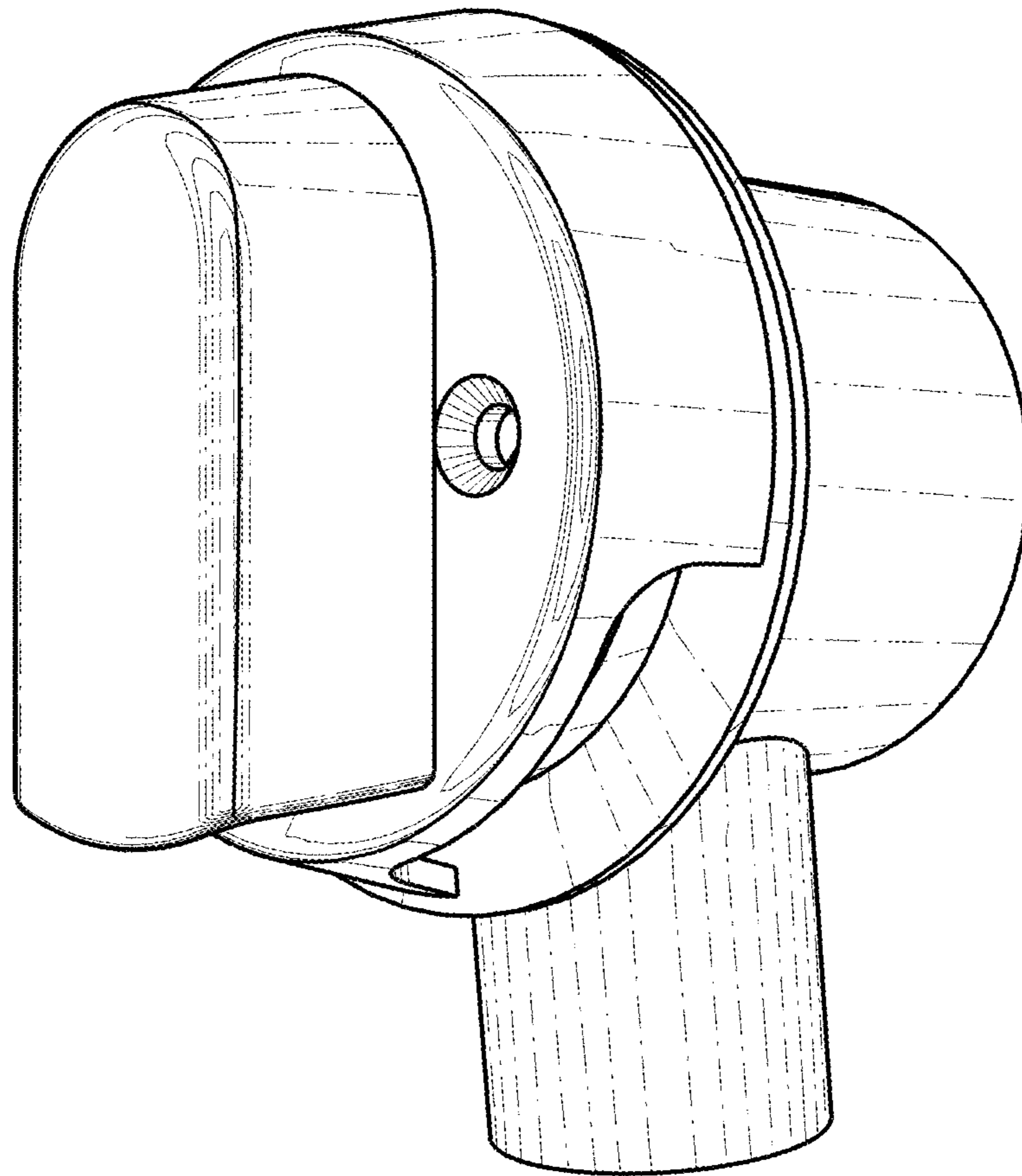


FIG. 7

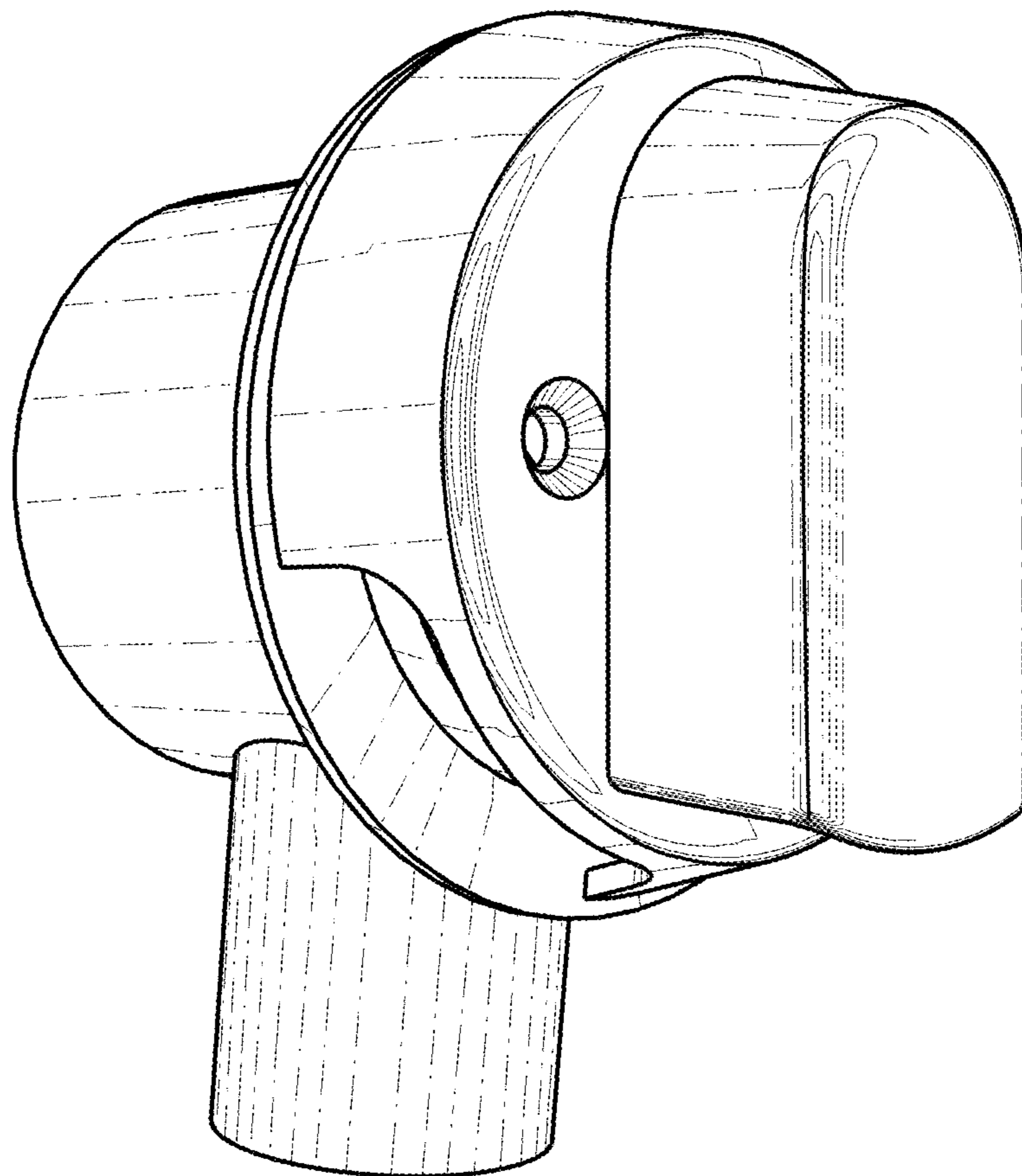


FIG. 8

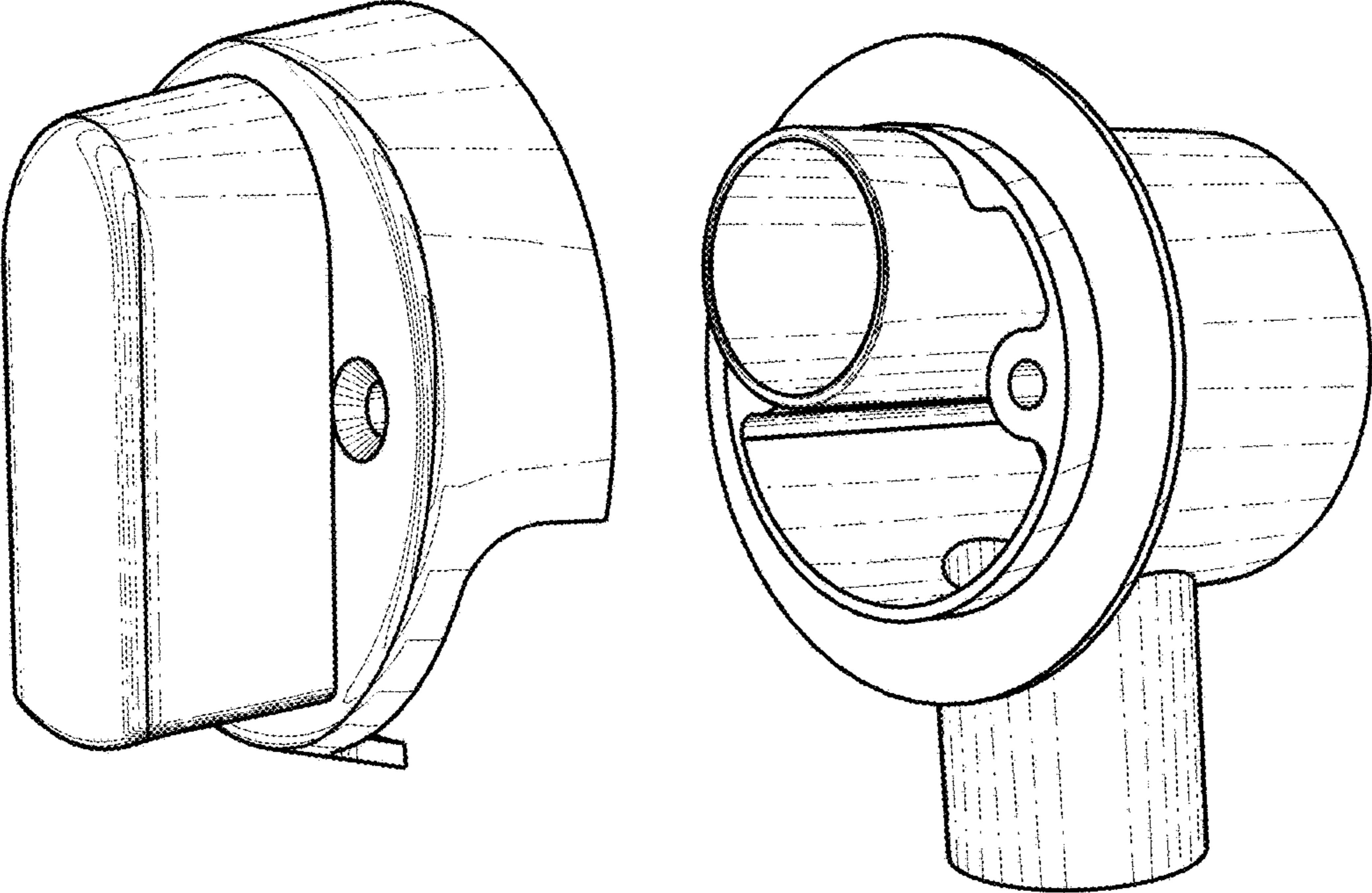


FIG. 9