



US00D827785S

(12) **United States Design Patent** (10) **Patent No.:** **US D827,785 S**
Ball et al. (45) **Date of Patent:** **** *Sep. 4, 2018**

(54) **HYDRANT ENCLOSURE** 3,952,770 A 4/1976 Botnick
D245,255 S 8/1977 Porter
(71) Applicant: **WCM Industries, Inc.**, Colorado Springs, CO (US) 4,178,956 A * 12/1979 Fillman E03B 9/02
137/302
D275,616 S 9/1984 Gray
D283,204 S * 4/1986 McDonald D10/96
(72) Inventors: **William T. Ball**, Colorado Springs, CO (US); **Eric Pilarczyk**, Colorado Springs, CO (US) D285,824 S 9/1986 Anderson
D311,767 S * 10/1990 Beall D23/207
D312,122 S * 11/1990 Veillette D23/249
D318,718 S 7/1991 Blatt
(73) Assignee: **WCM Industries, Inc.**, Colorado Springs, CO (US) D382,941 S * 8/1997 Nortier D23/249
(Continued)

(*) Notice: This patent is subject to a terminal disclaimer.
(**) Term: **15 Years**
(21) Appl. No.: **29/569,527**
(22) Filed: **Jun. 28, 2016**

Related U.S. Application Data

(63) Continuation of application No. 29/519,957, filed on Mar. 9, 2015, now Pat. No. Des. 768,829.
(51) **LOC (11) Cl.** **23-01**
(52) **U.S. Cl.**
USPC **D23/259**
(58) **Field of Classification Search**
USPC D23/233-237, 244-249, 259, 262-265, D23/499
CPC F16K 27/12; F16K 27/067; F16K 1/00; F16K 35/10; F16L 27/04; F16L 39/00; F16L 33/225; F16L 23/18; E03B 9/02; E21B 33/047
See application file for complete search history.

References Cited

U.S. PATENT DOCUMENTS

D180,010 S 4/1957 Britton
3,250,915 A * 5/1966 Schmitt C01B 13/10
250/435
D216,791 S 3/1970 Woodford
D228,554 S 10/1973 Magorien

OTHER PUBLICATIONS

U.S. Appl. No. 29/604,237, filed May 16, 2017, Ball et al.
U.S. Appl. No. 29/604,238, filed May 16, 2017, Ball et al.
U.S. Appl. No. 29/604,240, filed May 16, 2017, Ball et al.
U.S. Appl. No. 29/604,241, filed May 16, 2017, Ball et al.
Notice of Allowance for U.S. Appl. No. 14/317,627, dated Aug. 24, 2016 9 pages.

(Continued)

Primary Examiner — John Windmuller
Assistant Examiner — Steven J Czyz

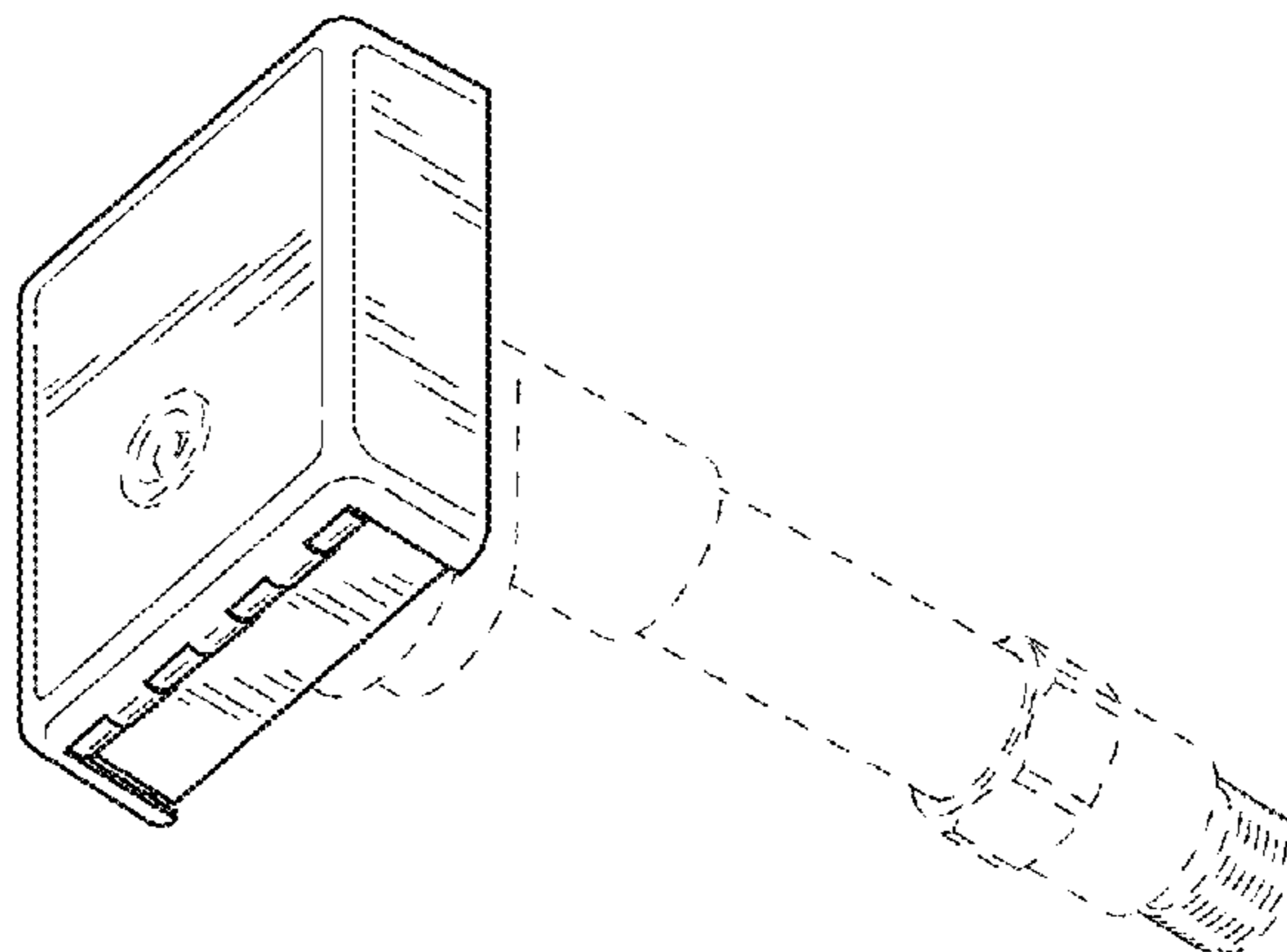
(57) **CLAIM**

The ornamental design for a hydrant enclosure, as shown and described.

DESCRIPTION

FIG. 1 is a perspective view of a hydrant enclosure showing our new design;
FIG. 2 is a front elevation view thereof;
FIG. 3 is a rear elevation view thereof;
FIG. 4 is a right elevation view thereof;
FIG. 5 is a left elevation view thereof;
FIG. 6 is a top plan view thereof;
FIG. 7 is a bottom plan view thereof; and,
FIG. 8 is a perspective view thereof, wherein a door of the enclosure is shown in an open position.
The broken lines depict portions of the article that form no part of the claimed design.

1 Claim, 6 Drawing Sheets



(56)

References Cited

U.S. PATENT DOCUMENTS

5,964,246 A * 10/1999 Meeker E03B 7/12
137/360
6,062,254 A * 5/2000 Brady F16K 51/00
137/347
D456,877 S * 5/2002 Wilder D23/209
D482,431 S * 11/2003 Ball D23/234
6,752,167 B1 6/2004 Stanaland et al.
6,948,512 B2 * 9/2005 McKeague E03B 9/04
134/168 C
D578,209 S 10/2008 Schurg et al.
D606,162 S * 12/2009 McAvey D23/211.1
D612,465 S 3/2010 Salser et al.
D614,736 S * 4/2010 Freiler D23/260
8,042,565 B2 10/2011 Ball et al.
D656,223 S * 3/2012 Cronje D23/233
8,353,309 B1 * 1/2013 Embry A62C 35/20
137/382
D675,714 S 2/2013 Nguyen
D676,527 S * 2/2013 Xue D23/248
D680,621 S * 4/2013 Foster D23/233
D681,782 S * 5/2013 Bohm D23/233
D681,784 S 5/2013 Liljegren et al.
D685,906 S 7/2013 Dale et al.
D702,320 S 4/2014 Pifer
D708,303 S 7/2014 Gehrling
D711,510 S 8/2014 Halldorsson
D715,405 S 10/2014 McAlpine
D717,404 S 11/2014 Bailey et al.
D720,046 S 12/2014 Morodomi et al.
D721,787 S * 1/2015 Yoshimura D23/233
D721,788 S * 1/2015 Pifer D23/233
D722,674 S 2/2015 Lipkens et al.
D722,676 S 2/2015 Gaertner
8,973,599 B2 * 3/2015 Stanaland E03B 9/027
137/217
D728,748 S 5/2015 Gehrling
D729,352 S * 5/2015 Ball E03B 9/025
D23/259
D729,353 S 5/2015 Ball et al.
D733,844 S 7/2015 Ball et al.
D733,845 S * 7/2015 Ball D23/259
D737,942 S * 9/2015 Ball D23/259
D757,900 S * 5/2016 Yakushijin D23/233
D760,874 S * 7/2016 Ball D23/259
D762,824 S * 8/2016 Ball D23/259
D764,026 S * 8/2016 Mills D23/233
D766,401 S 9/2016 Zhu et al.
D768,829 S * 10/2016 Ball D23/259
D788,887 S * 6/2017 Ball D23/259
D818,565 S 5/2018 Ball
2004/0000337 A1 * 1/2004 Cooper A62C 37/50
137/377
2006/0086921 A1 * 4/2006 Ball E03B 9/025
251/148
2010/0024902 A1 2/2010 Polgati et al.
2011/0062834 A1 * 3/2011 Ball A62C 35/20
312/215
2011/0115215 A1 * 5/2011 Cronje E03C 1/021
285/129.1
2014/0202558 A1 * 7/2014 Chou F16K 27/12
137/377
2014/0305516 A1 10/2014 Stanaland
2015/0000767 A1 1/2015 Ball et al.
2015/0240460 A1 * 8/2015 Ball E03B 9/10
137/296
2017/0138024 A1 * 5/2017 Ball E03B 9/025

OTHER PUBLICATIONS

Official Action for U.S. Appl. No. 14/710,350, dated Aug. 26, 2016
9 pages.
Notice of Allowance for U.S. Appl. No. 14/710,350, dated Jan. 5,
2017 9 pages.
Official Action for U.S. Appl. No. 29/570,362, dated Oct. 5, 2016 6
pages.
Notice of Allowance for U.S. Appl. No. 29/570,362, dated Apr. 10,
2017 5 pages.
U.S. Appl. No. 29/519,957, filed Mar. 9, 2015, Ball et al.
U.S. Appl. No. 29/529,465, filed Jun. 8, 2015, Ball et al.
U.S. Appl. No. 29/569,533, filed Jun. 28, 2016, Ball et al.
U.S. Appl. No. 29/569,524, filed Jun. 28, 2016, Ball et al.
U.S. Appl. No. 29/570,362, filed Jul. 7, 2016, Ball et al.
Official Action for U.S. Appl. No. 14/317,627, dated Apr. 20, 2016,
11 pages.
Official Action for U.S. Appl. No. 14/710,350, dated Apr. 20, 2016,
13 pages.
Notice of Allowance for U.S. Appl. No. 29/503,651, dated Mar. 3,
2015, 10 pages.
Official Action for U.S. Appl. No. 29/529,465, dated Feb. 25, 2016,
9 pages.
Final Action for U.S. Appl. No. 29/529,465, dated Jun. 6, 2016, 7
pages.
Notice of Allowance for U.S. Appl. No. 29/503,653, dated Mar. 4,
2015, 10 pages.
Official Action for U.S. Appl. No. 29/514,306, dated Mar. 4, 2015,
9 pages.
Notice of Allowance for U.S. Appl. No. 29/514,306, dated Apr. 24,
2015 10 pages.
Official Action for U.S. Appl. No. 29/514,307, dated Mar. 11, 2015,
7 pages.
Notice of Allowance for U.S. Appl. No. 29/514,307, dated May 7,
2015 7 pages.
Official Action for U.S. Appl. No. 29/514,308, dated Mar. 11, 2015,
7 pages.
Notice of Allowance for U.S. Appl. No. 29/514,308, dated Jul. 7,
2015 7 pages.
Official Action for U.S. Appl. No. 29/519,131, dated Jan. 22, 2016,
10 pages.
Notice of Allowance for U.S. Appl. No. 29/519,131, dated Mar. 30,
2016, 5 pages.
Official Action for U.S. Appl. No. 29/519,956, dated Jan. 11, 2016,
9 pages.
Notice of Allowance for U.S. Appl. No. 29/519,956, dated May 31,
2016, 5 pages.
Official Action for U.S. Appl. No. 29/519,957, dated Jan. 11, 2016,
9 pages.
Notice of Allowance for U.S. Appl. No. 29/519,957, dated Jun. 9,
2016, 5 pages.
U.S. Appl. No. 29/569,524, Office Action dated Jan. 5, 2018, 8
pages.
U.S. Appl. No. 15/416,179, Office Action dated Mar. 9, 2018, 11
pages.
U.S. Appl. No. 29/569,533, Notice of Allowance dated Feb. 1, 2018,
8 pages.
U.S. Appl. No. 29/569,524, Notice of Allowance dated May 22,
2018, 5 pages.
U.S. Appl. No. 29/569,533, Notice of Allowance dated Apr. 11,
2018, 2 pages.

* cited by examiner

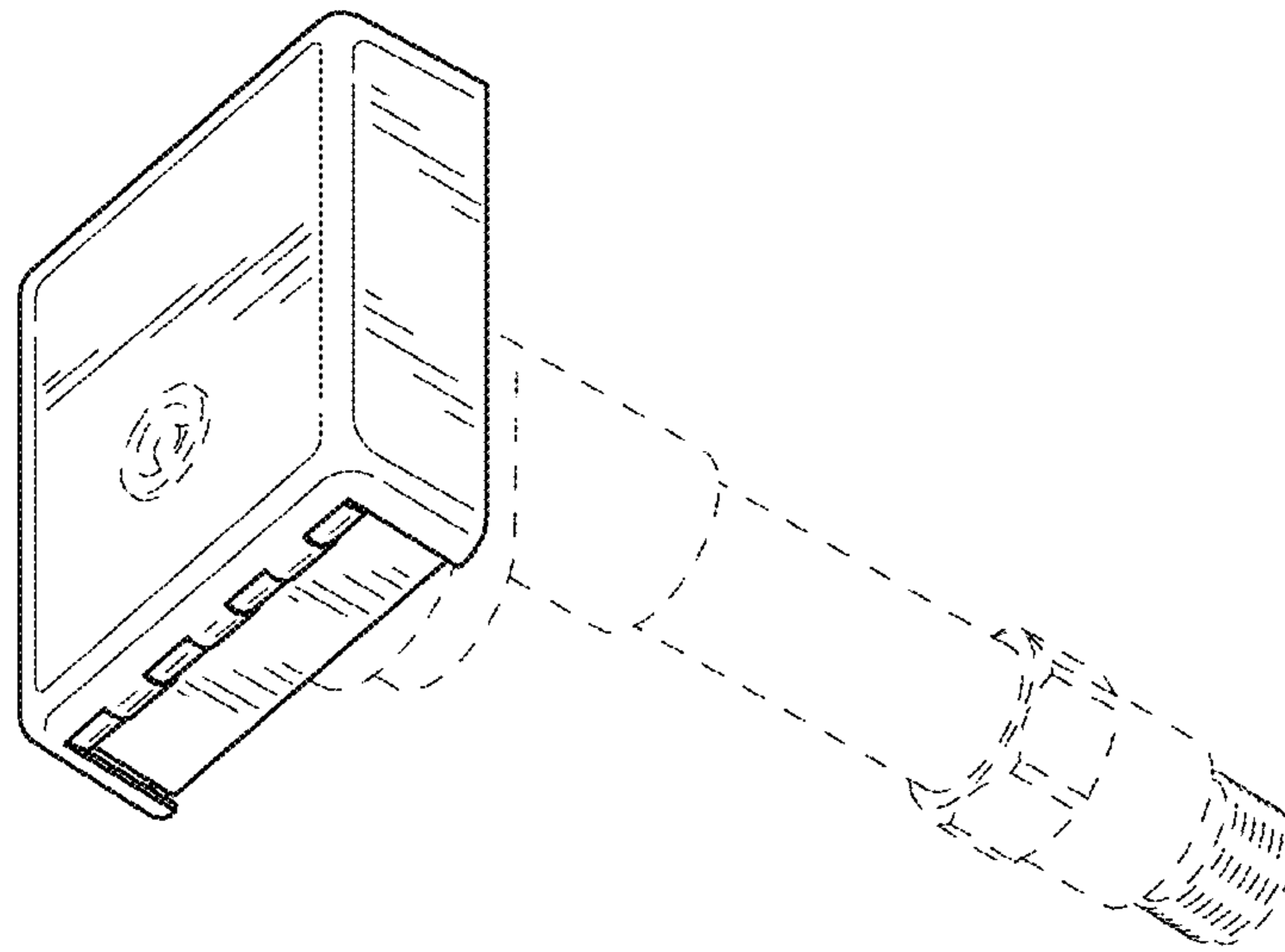


FIG.1

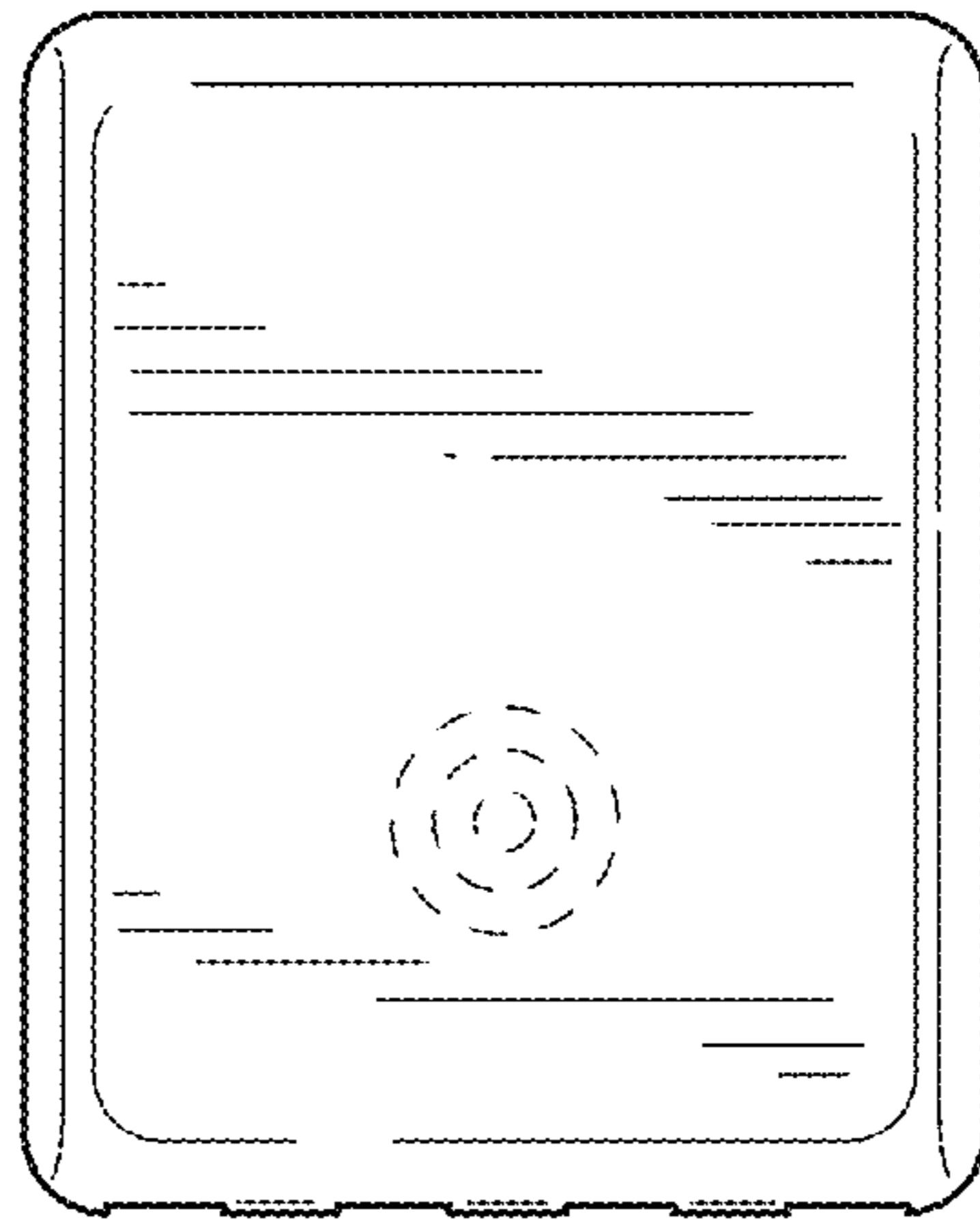


FIG. 2

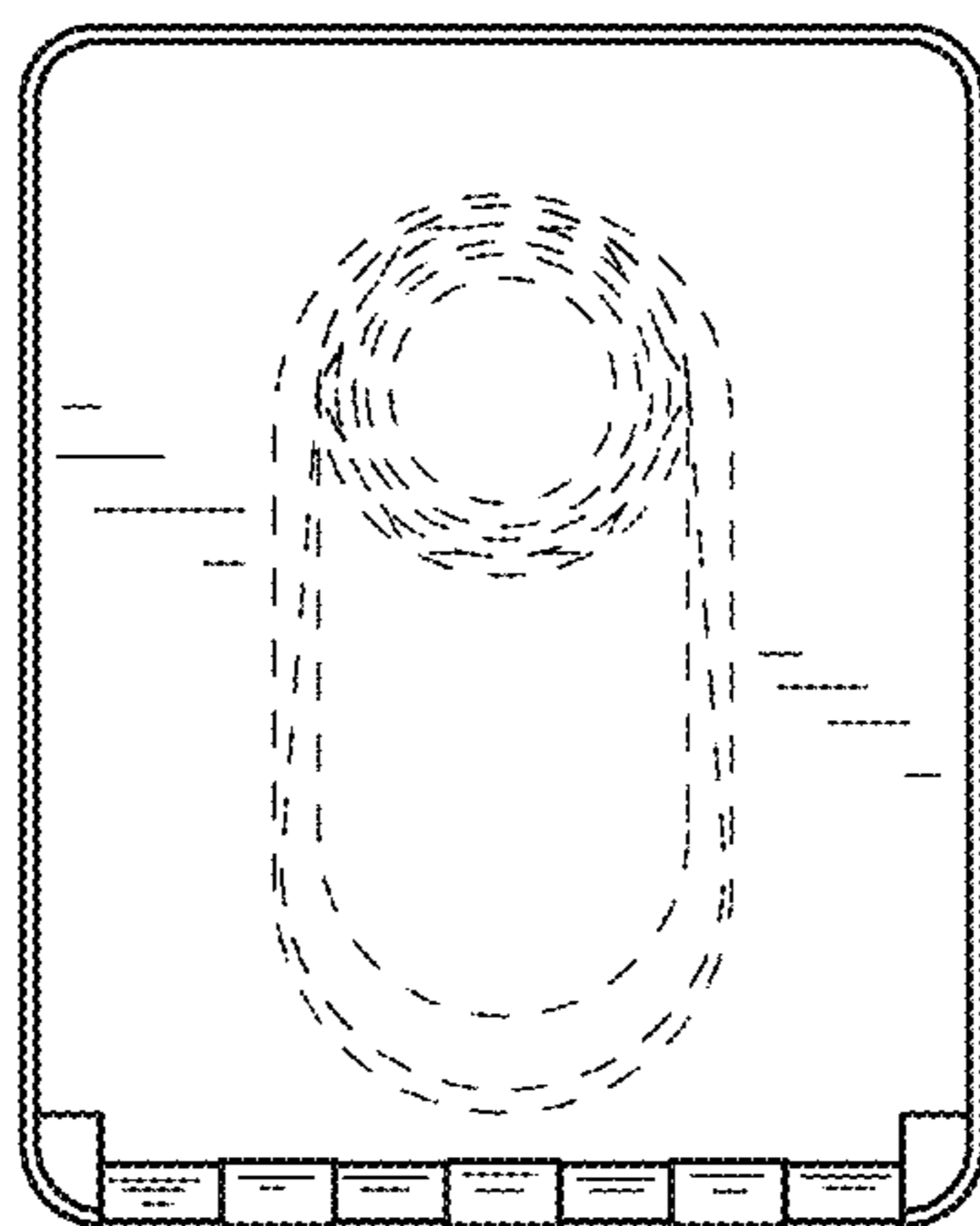


FIG. 3

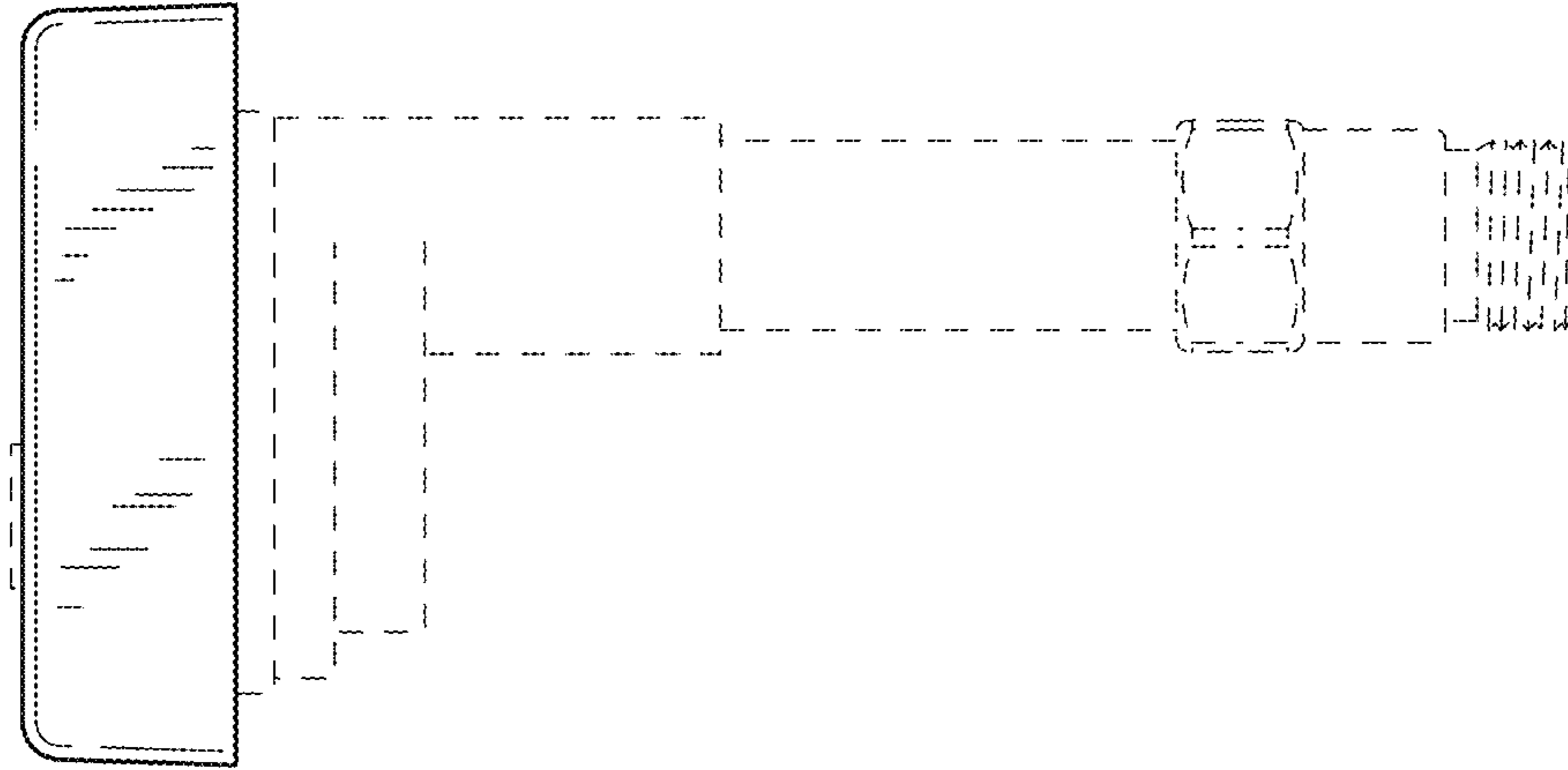


FIG.4

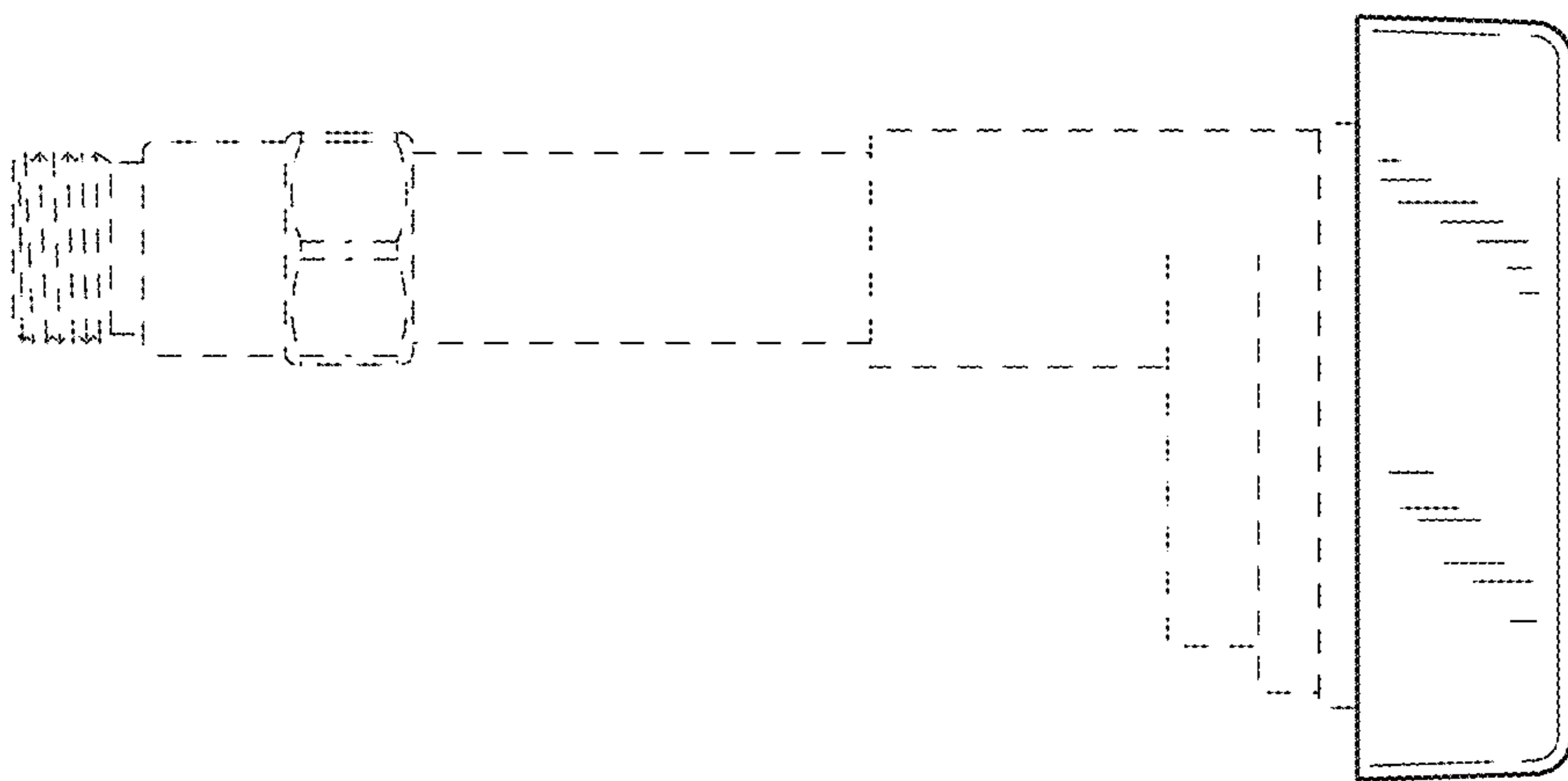


FIG.5

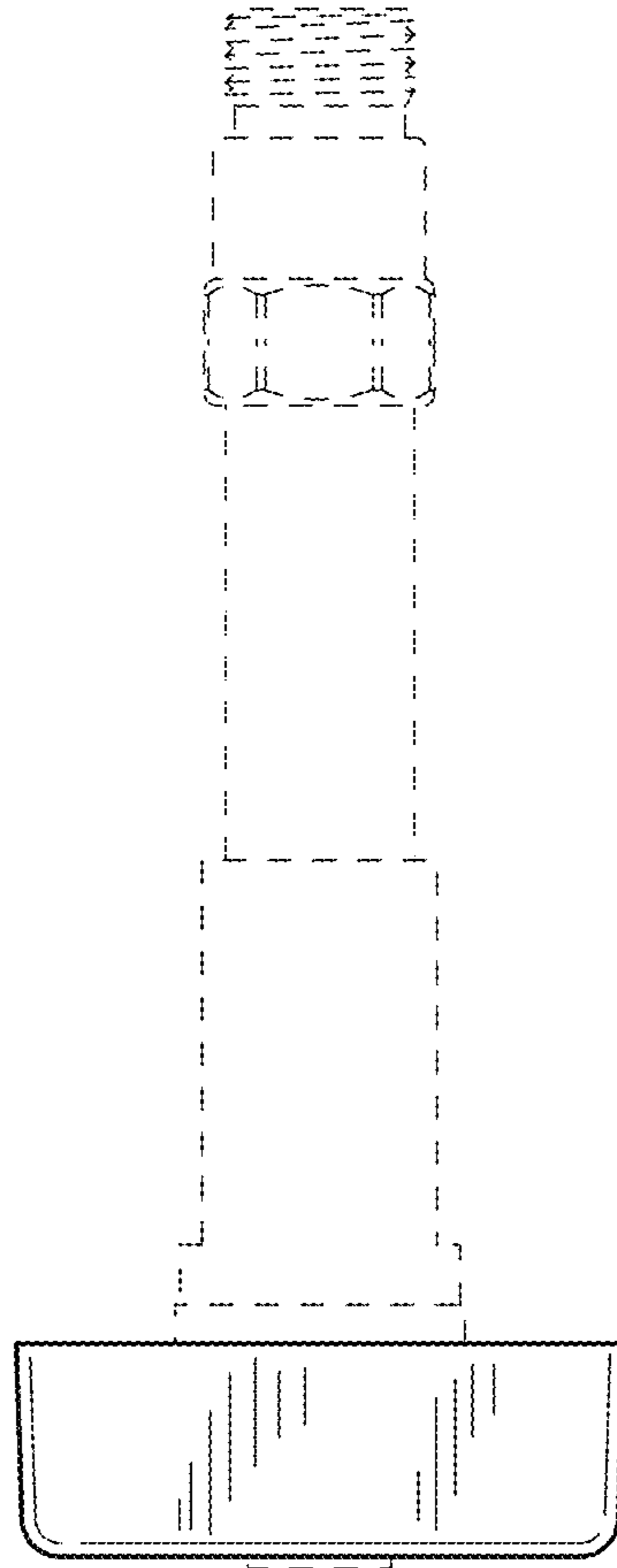


FIG.6

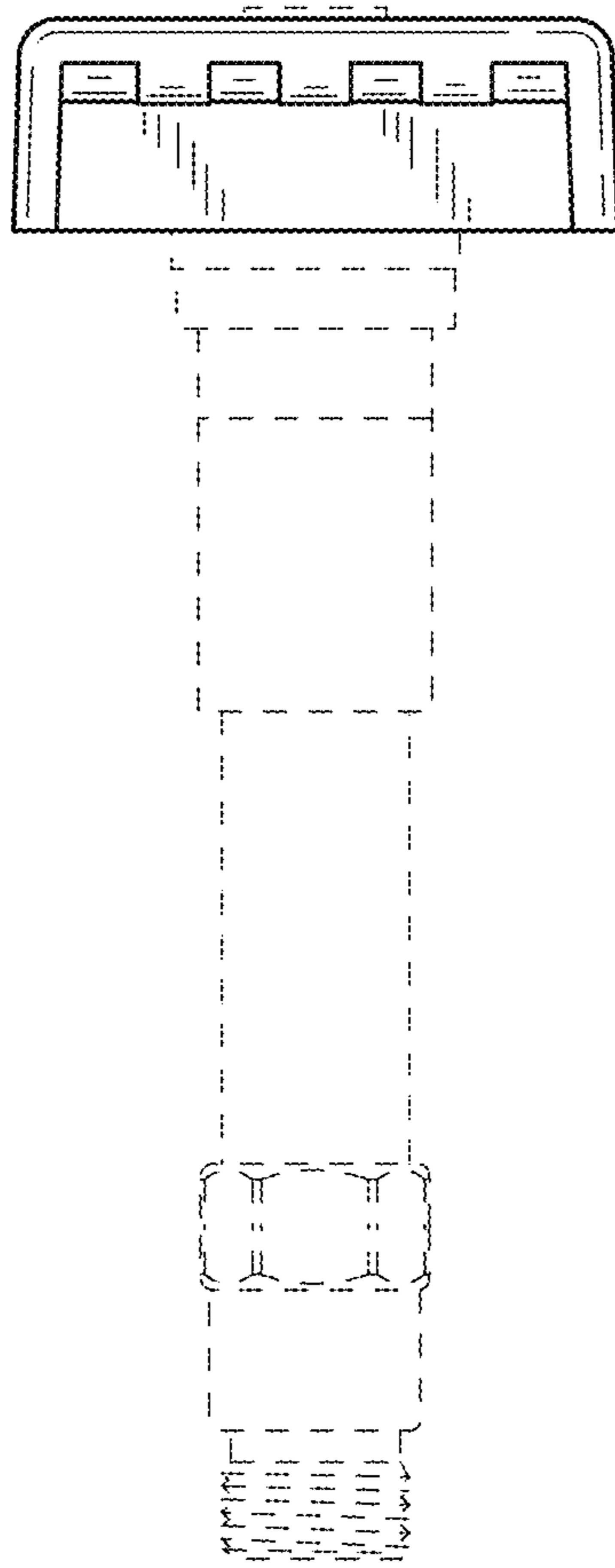


FIG.7

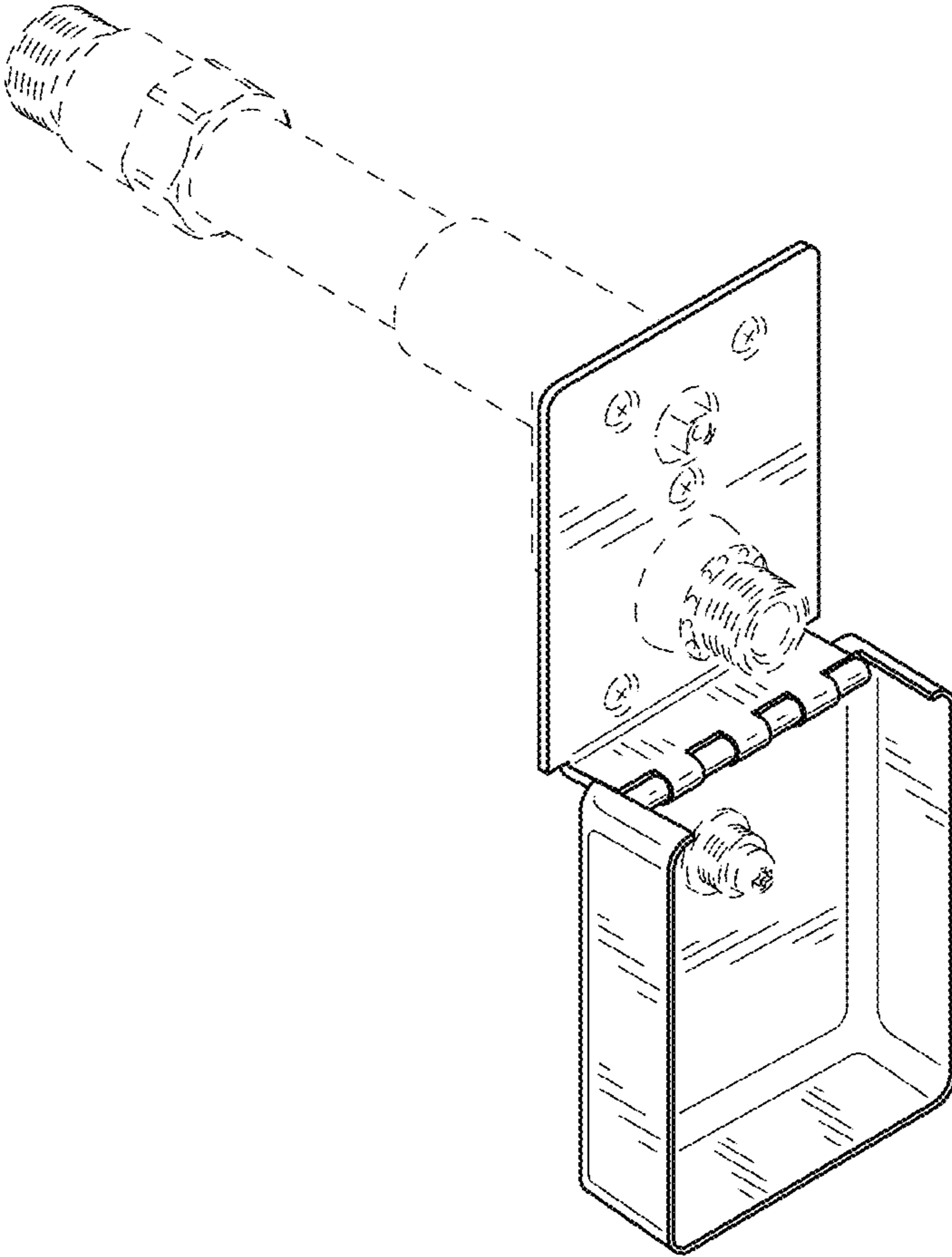


FIG.8