



US00D827783S

(12) **United States Design Patent**
Garland

(10) **Patent No.:** **US D827,783 S**
(45) **Date of Patent:** **** Sep. 4, 2018**

- (54) **VALVE**
- (71) Applicant: **DELTA FAUCET COMPANY,**
Indianapolis, IN (US)
- (72) Inventor: **Celine Kwok Garland,** Zionsville, IN
(US)
- (73) Assignee: **DELTA FAUCET COMPANY,**
Indianapolis, IN (US)
- (**) Term: **15 Years**
- (21) Appl. No.: **29/634,180**
- (22) Filed: **Jan. 18, 2018**
- (51) **LOC (11) Cl.** **23-01**
- (52) **U.S. Cl.**
USPC **D23/254**
- (58) **Field of Classification Search**
USPC D23/250, 254, 238-24, 249; D8/300,
D8/308, 352-353, 312, 399
CPC Y10T 137/9464
See application file for complete search history.

D484,037 S * 12/2003 Fleetwood F16B 39/10
D8/399
D789,494 S * 6/2017 Dube D23/254
D811,548 S * 2/2018 Garland D23/254

* cited by examiner

Primary Examiner — Robert A Delehanty

(74) *Attorney, Agent, or Firm* — Edgar A. Zarins; Nirav
D. Parikh

(57) **CLAIM**

The ornamental design for a valve, as shown and described.

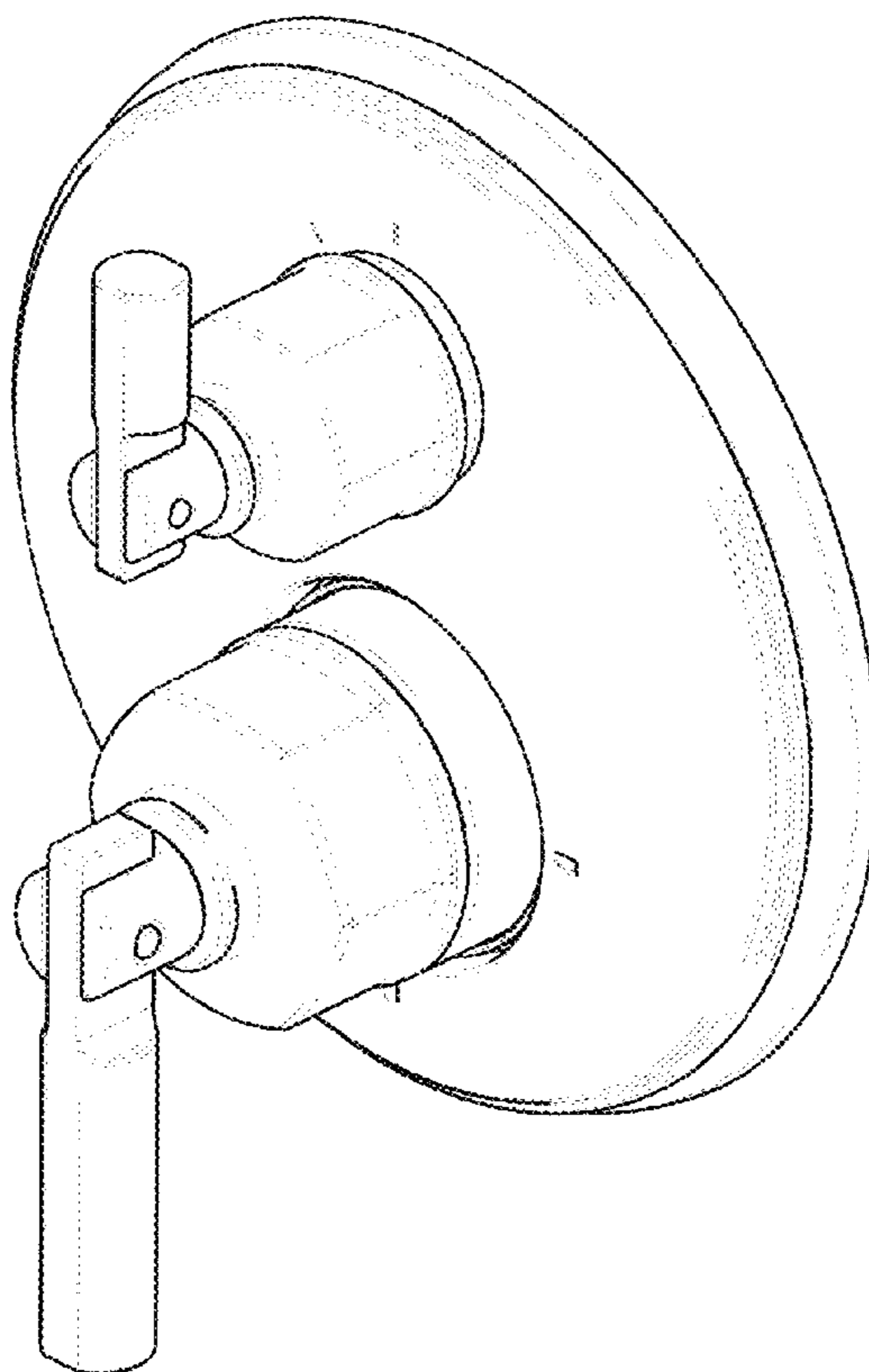
DESCRIPTION

FIG. 1 is a front perspective view of a valve showing my new design;
 FIG. 2 is a rear perspective view thereof;
 FIG. 3 is a front elevational view thereof;
 FIG. 4 is a left side view thereof;
 FIG. 5 is a rear view thereof;
 FIG. 6 is a right side view thereof;
 FIG. 7 is a top plan view thereof; and,
 FIG. 8 is a bottom view thereof.

(56) **References Cited**
 U.S. PATENT DOCUMENTS

D405,162 S * 2/1999 Doughty D23/250

1 Claim, 4 Drawing Sheets



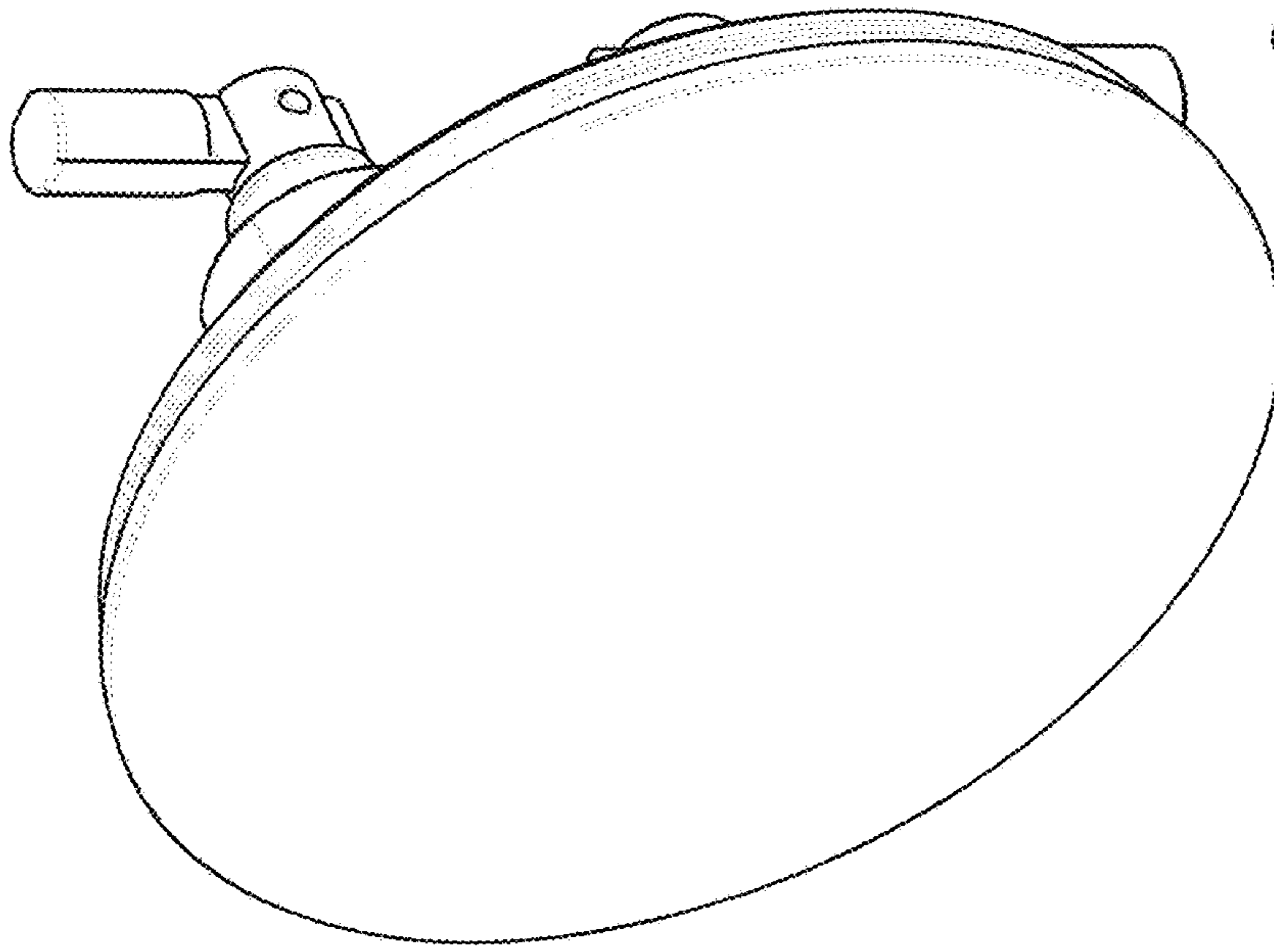


Fig. 2

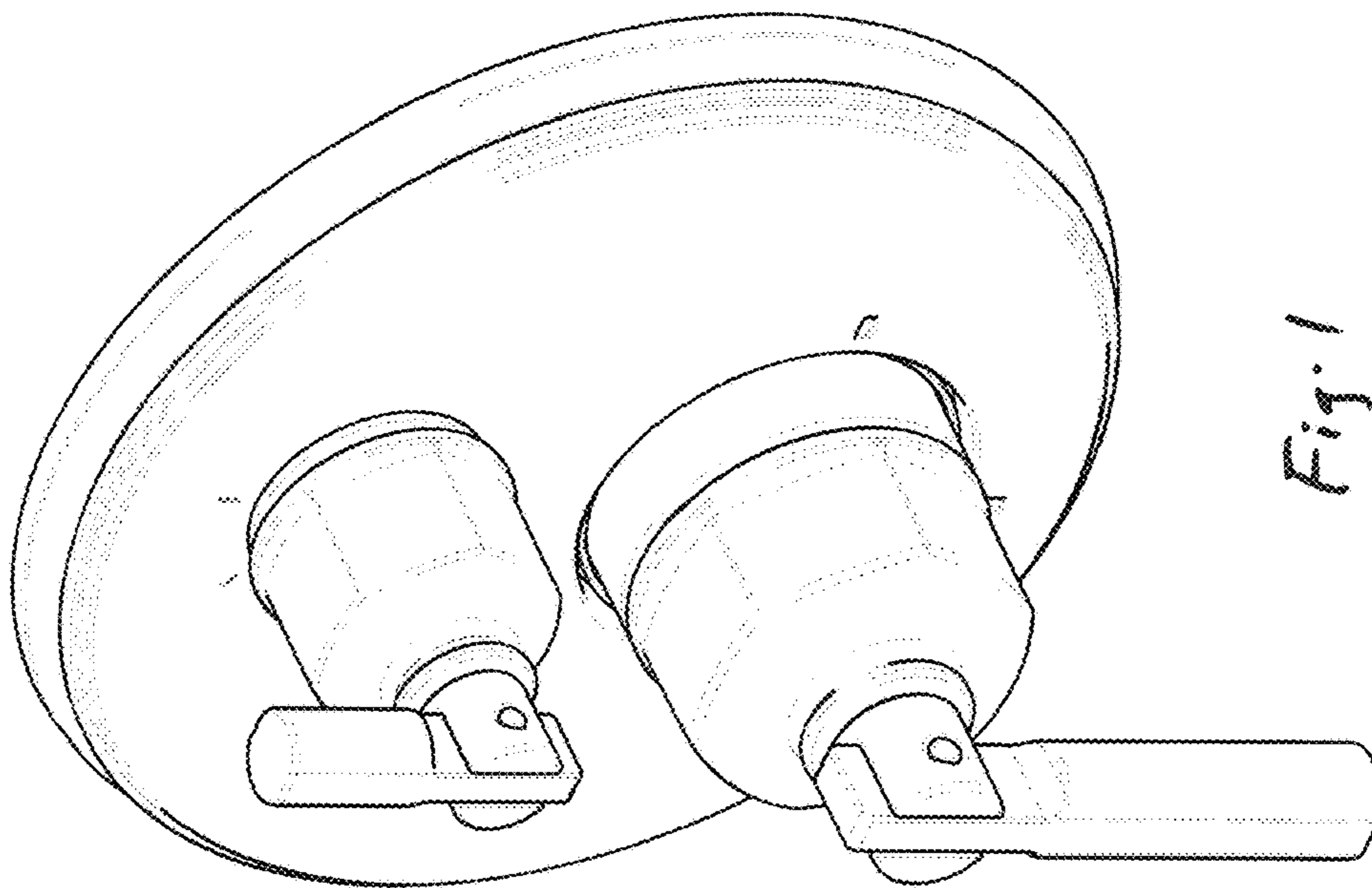


Fig. 1

Fig. 4

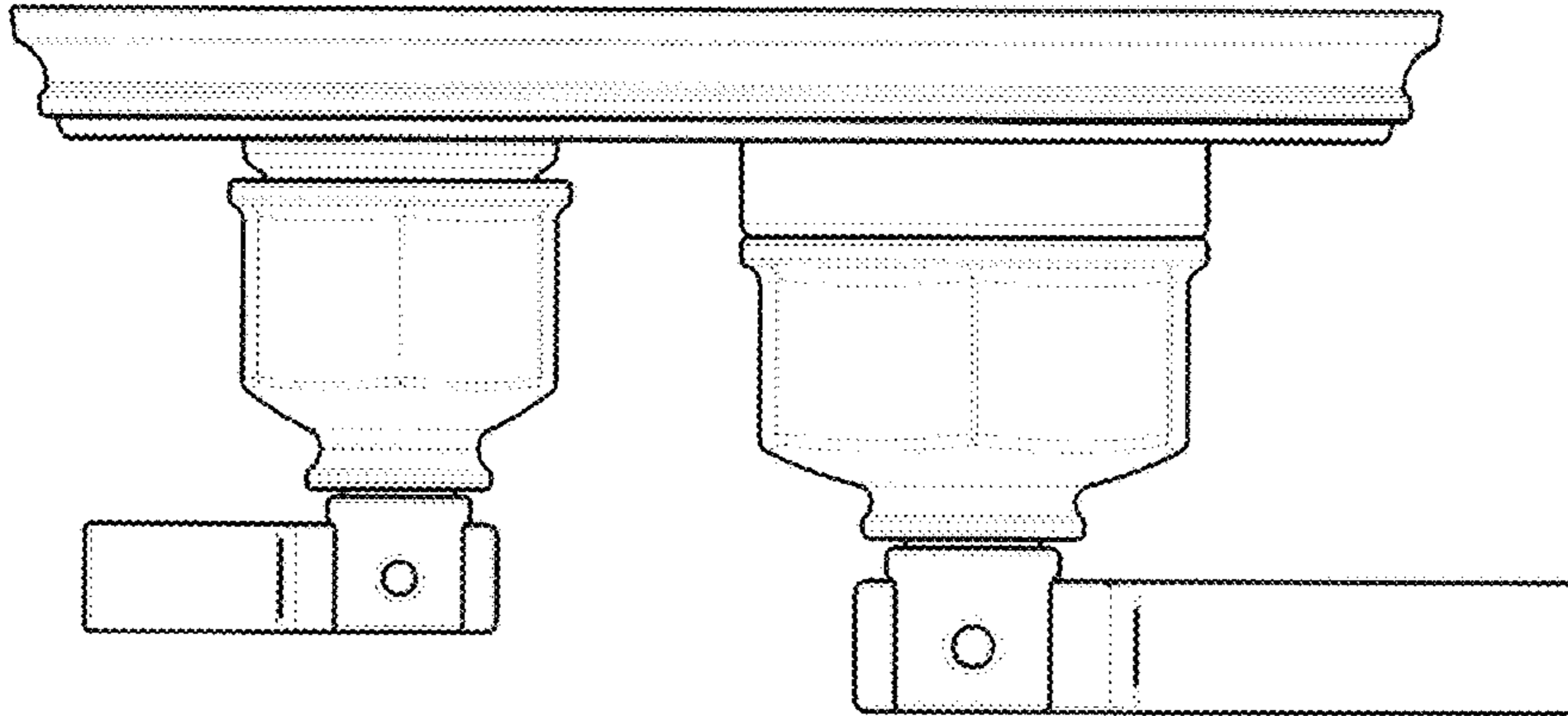


Fig. 3

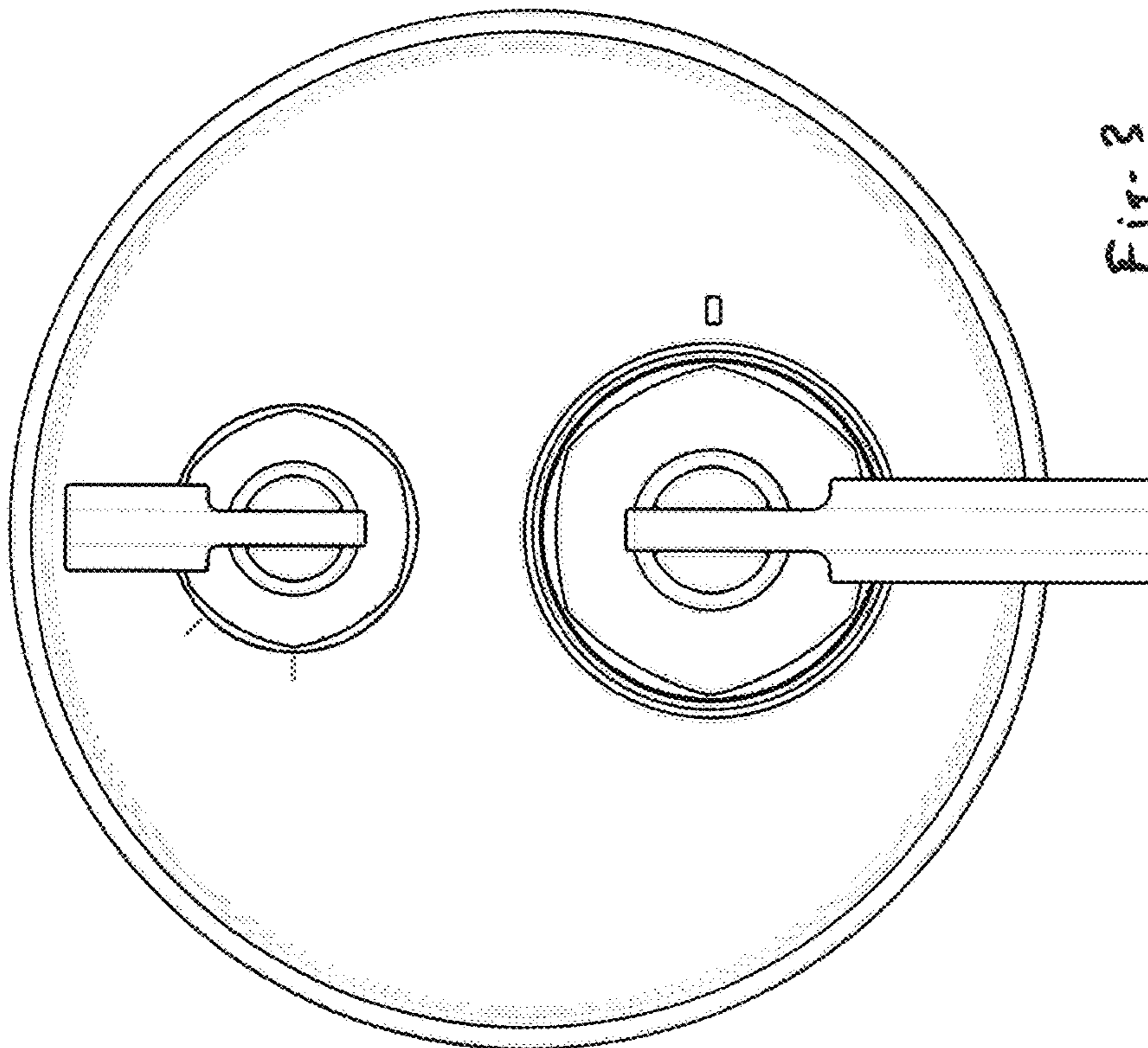


Fig. 6

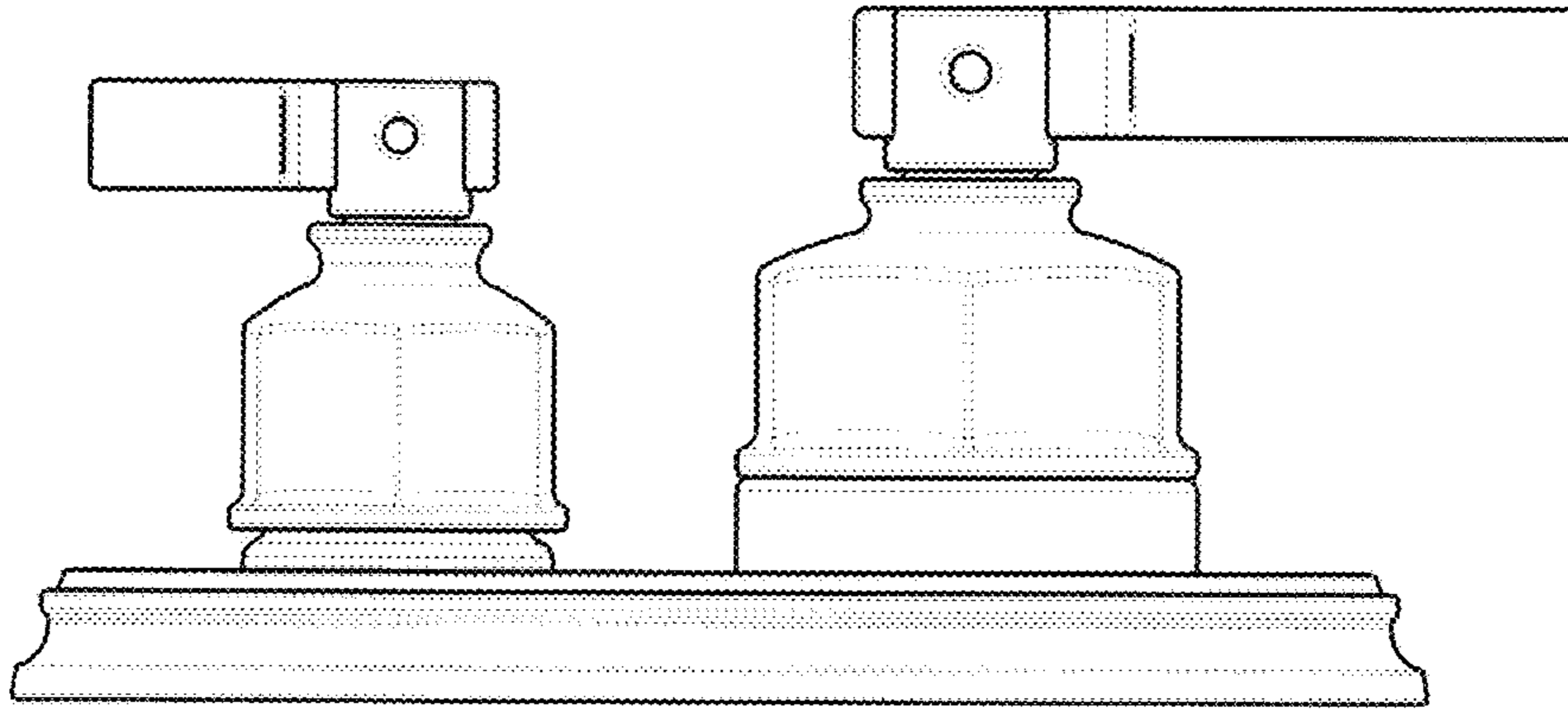


Fig. 5

