



US00D827782S

(12) **United States Design Patent**
Soulier

(10) **Patent No.:** **US D827,782 S**
(45) **Date of Patent:** **** Sep. 4, 2018**

(54) **FAUCET HANDLE**

(71) Applicant: **Kohler Co.**, Kohler, WI (US)

(72) Inventor: **Jean-Hugues Soulier**, Paris (FR)

(73) Assignee: **KOHLER CO.**, Kohler, WI (US)

(**) Term: **15 Years**

(21) Appl. No.: **29/645,877**

(22) Filed: **Apr. 30, 2018**

Related U.S. Application Data

(62) Division of application No. 29/585,143, filed on Nov. 21, 2016, now Pat. No. Des. 819,179.

(51) **LOC (11) Cl.** **23-01**

(52) **U.S. Cl.**
USPC **D23/252**

(58) **Field of Classification Search**
USPC D8/300, 307, 308
CPC Y10T 137/9464
See application file for complete search history.

(56) **References Cited**

U.S. PATENT DOCUMENTS

D531,267 S 10/2006 Hundley
D532,086 S 11/2006 Haug

D533,924 S 12/2006 Kirar
D635,220 S 3/2011 Rubin et al.
D635,221 S 3/2011 Rubin et al.
D636,062 S 4/2011 Rubin et al.
D698,420 S 1/2014 Hahn et al.
D786,407 S 5/2017 Clarke

Primary Examiner — Robert A Delehanty

(74) *Attorney, Agent, or Firm* — Foley & Lardner LLP

(57) **CLAIM**

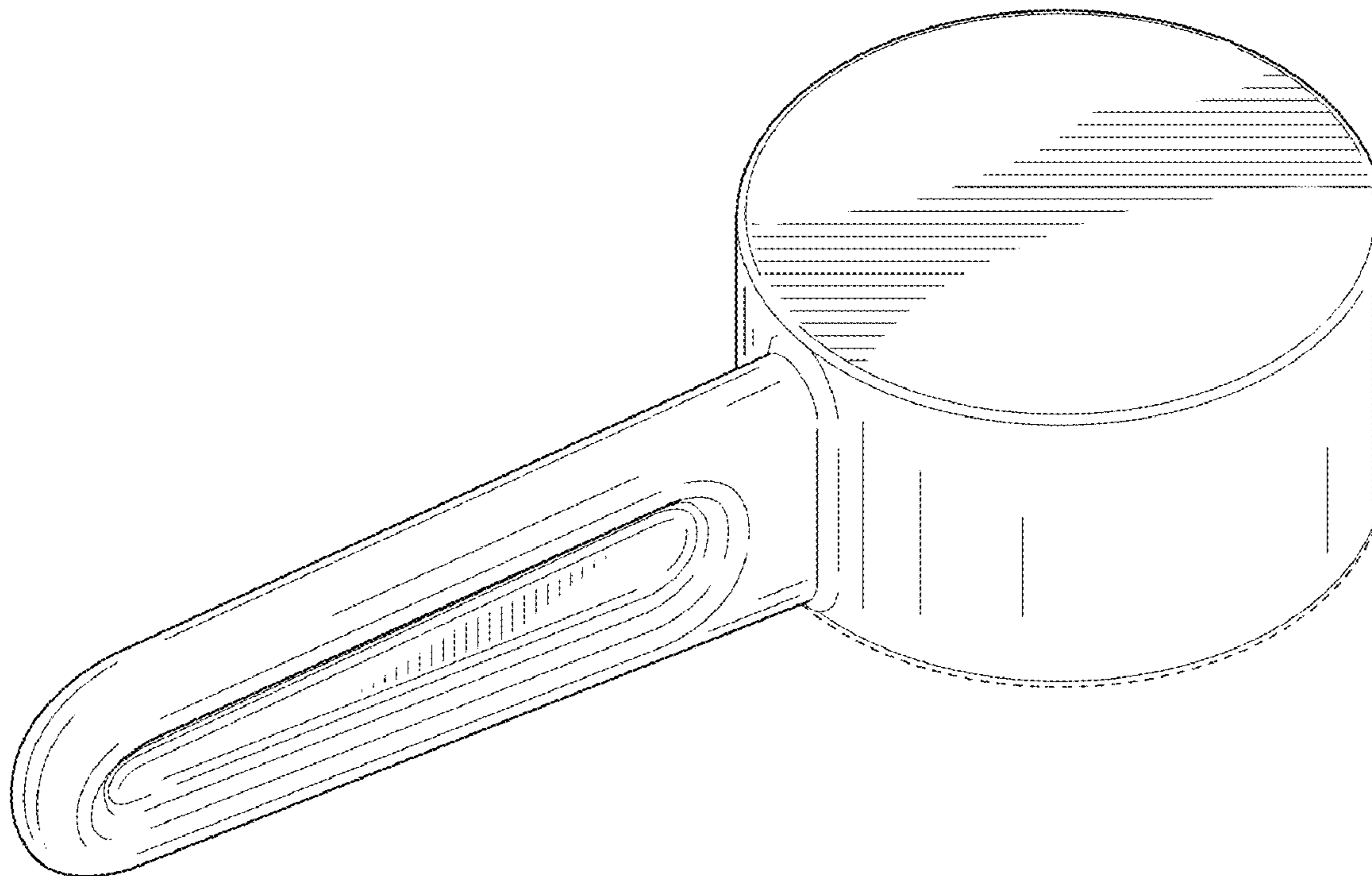
I claim the ornamental design for a faucet handle, as shown and described.

DESCRIPTION

FIG. 1 is a top, front, right perspective view of an embodiment of the claimed design;
FIG. 2 is a front elevation view thereof;
FIG. 3 is a rear elevation view thereof;
FIG. 4 is a right side elevation view thereof;
FIG. 5 is a left side elevation view thereof;
FIG. 6 is a top plan view thereof; and,
FIG. 7 is a bottom plan view thereof.

The ornamental design which is claimed is shown in solid lines in the drawings. The broken lines in the drawings are for illustrative purposes only and form no part of the claimed design. Broken lines formed by equal length dashes show unclaimed subject matter.

1 Claim, 3 Drawing Sheets



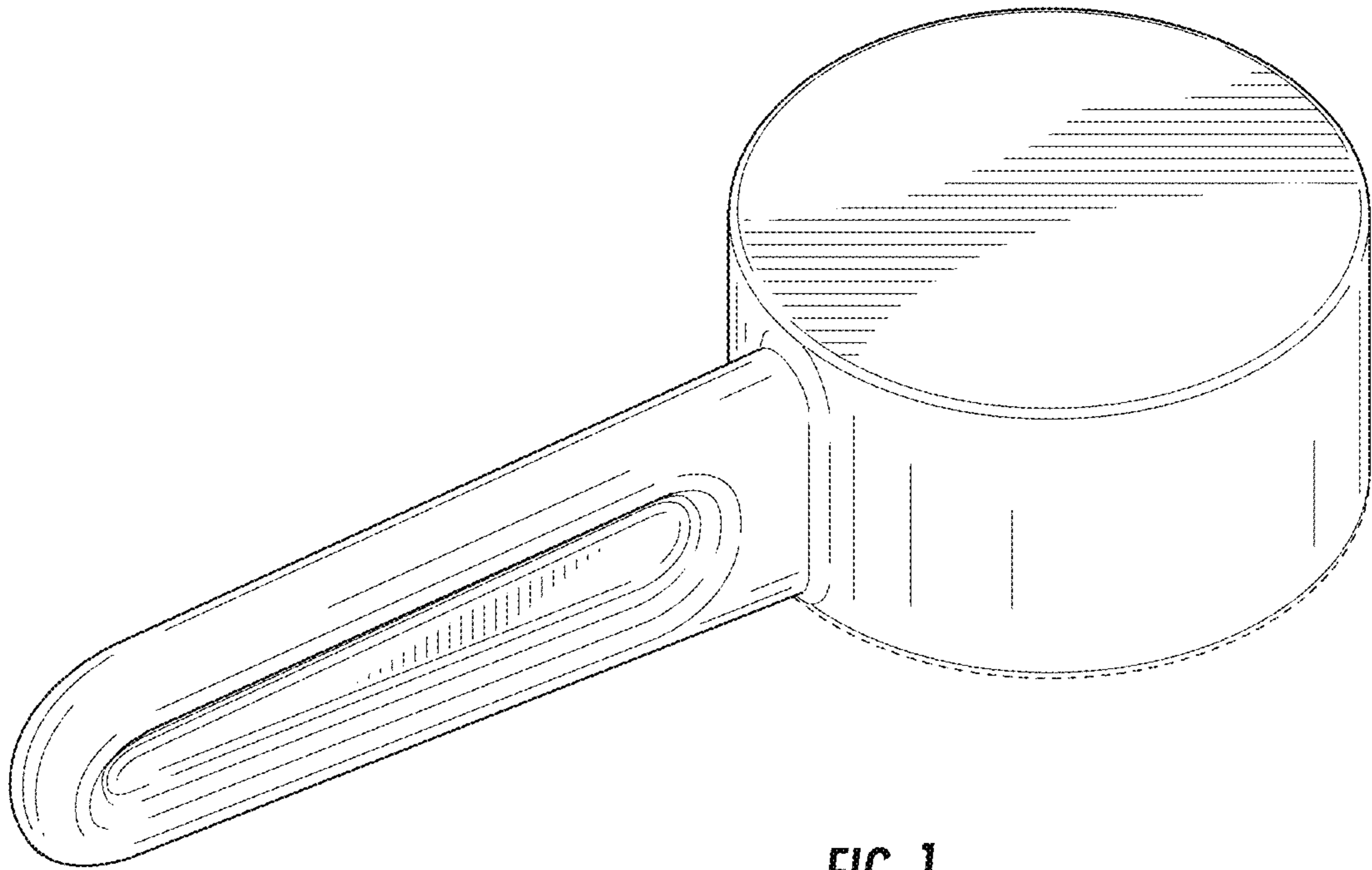


FIG. 1

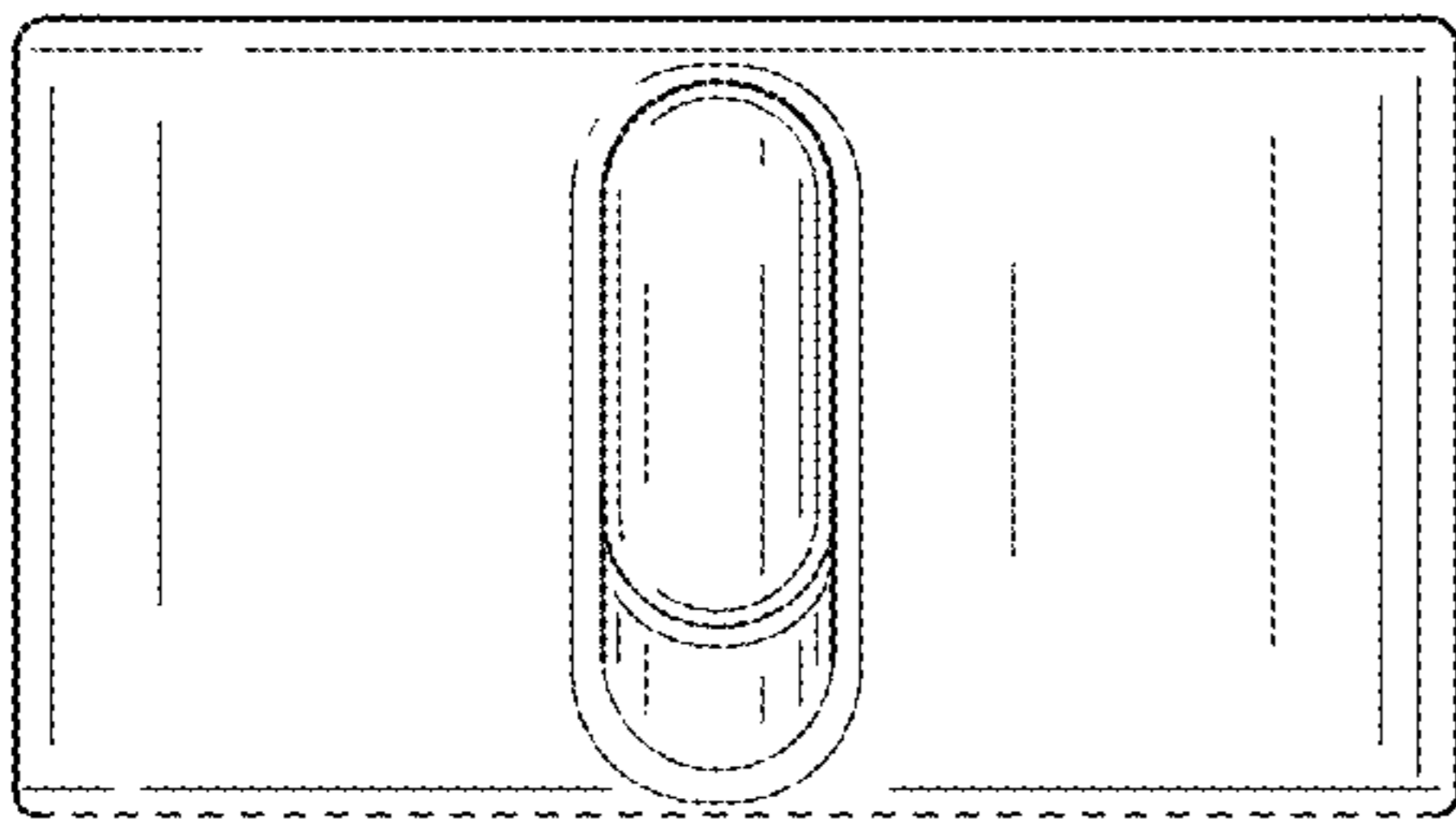


FIG. 2

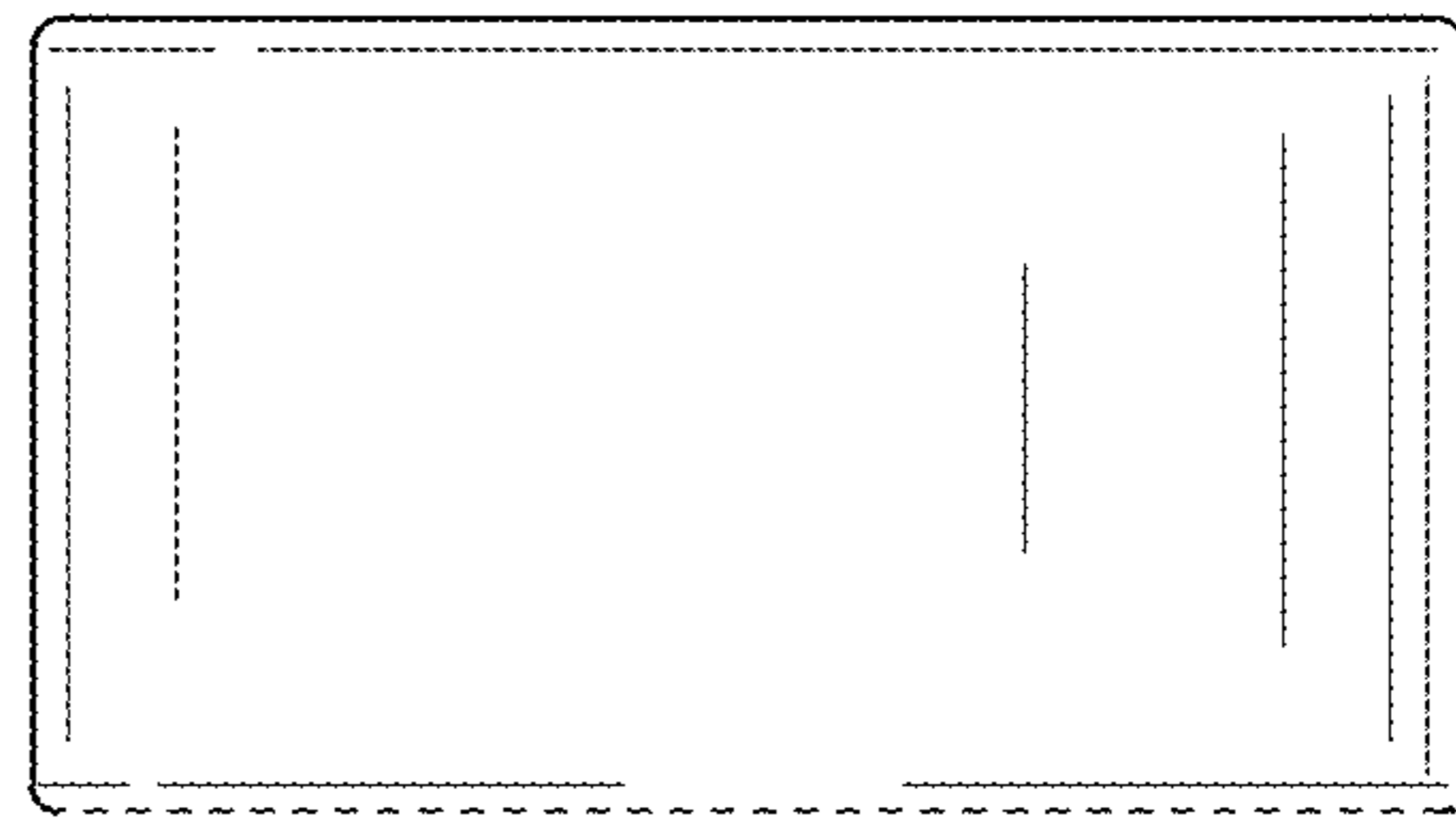


FIG. 3

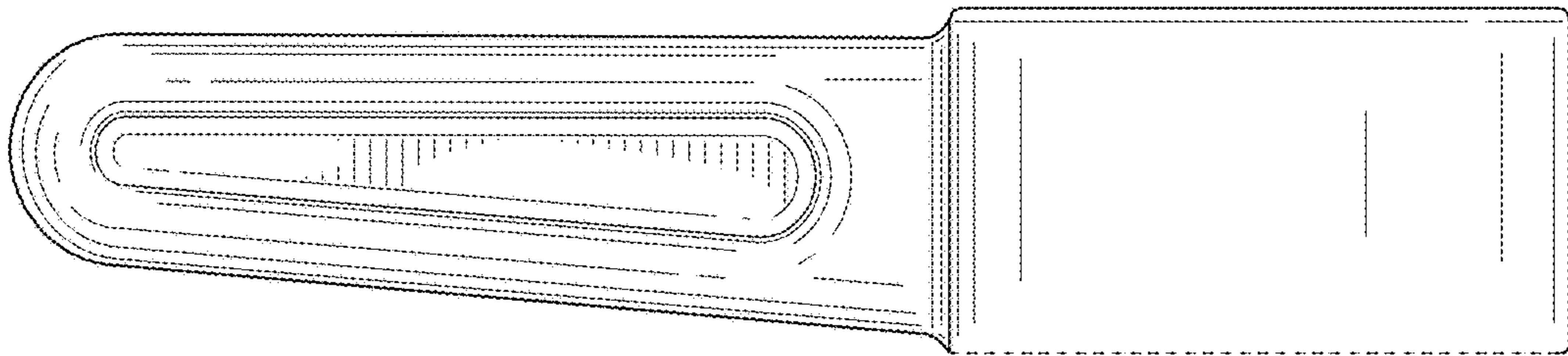


FIG. 4

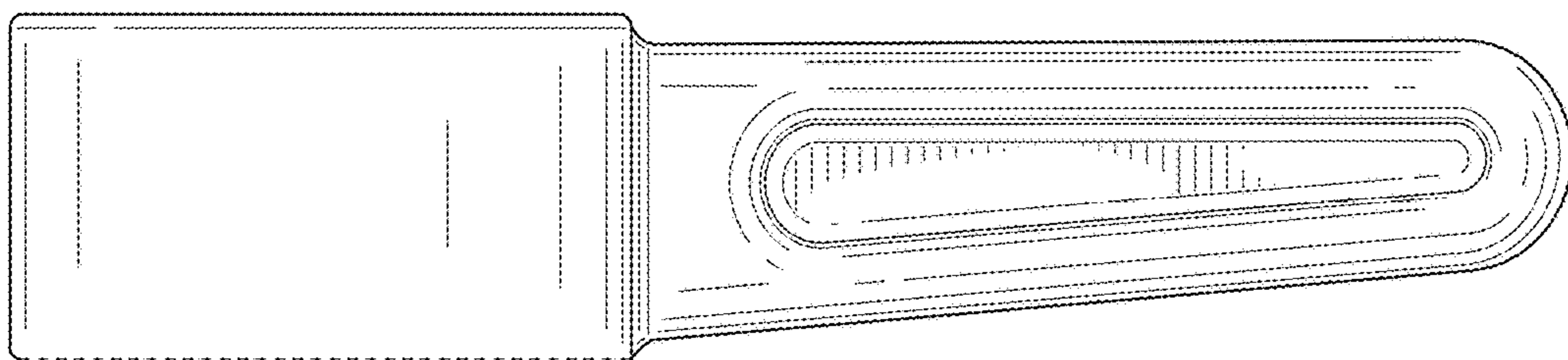


FIG. 5

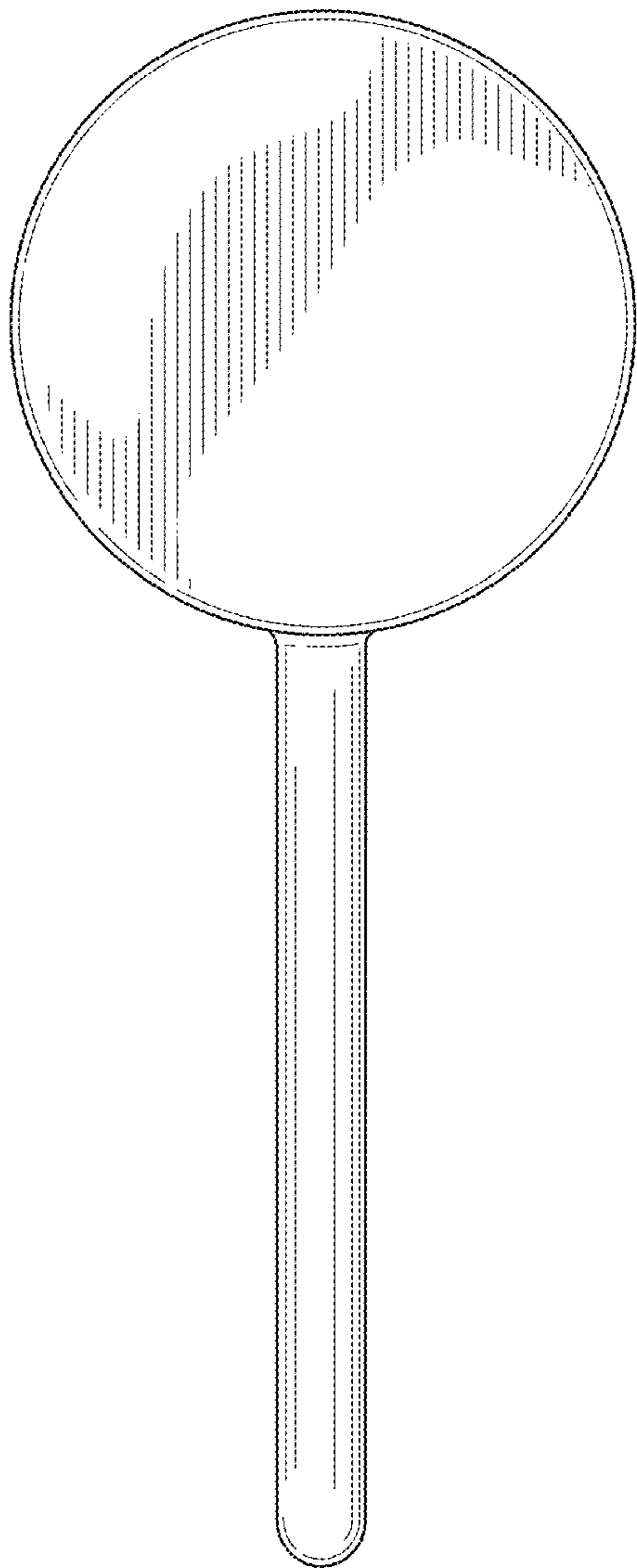


FIG. 6

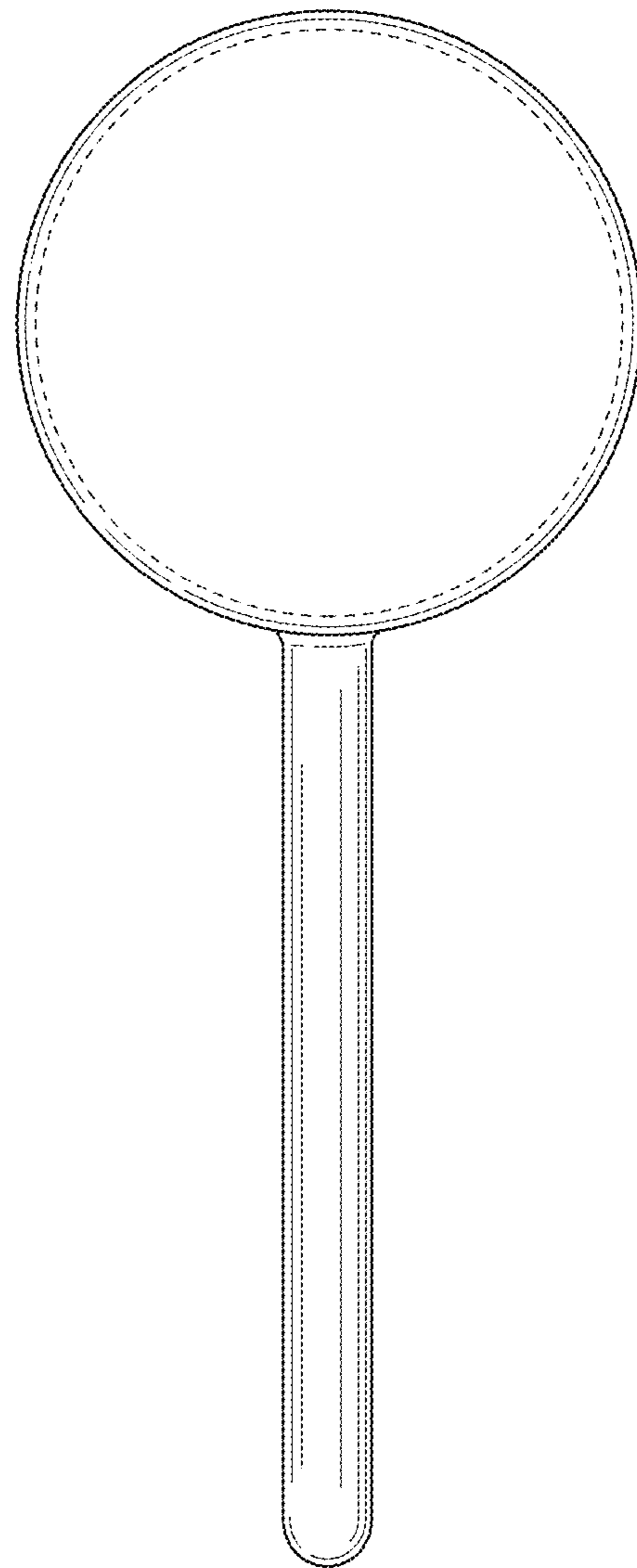


FIG. 7