



US00D827781S

(12) **United States Design Patent**
Slothower

(10) **Patent No.:** **US D827,781 S**

(45) **Date of Patent:** **** Sep. 4, 2018**

(54) **FAUCET**

(71) Applicant: **Kohler Co.**, Kohler, WI (US)

(72) Inventor: **Anna-Pia K. Slothower**, Mill Valley, CA (US)

(73) Assignee: **KOHLER CO.**, Kohler, WI (US)

(**) Term: **15 Years**

(21) Appl. No.: **29/650,034**

(22) Filed: **Jun. 4, 2018**

D508,978 S	8/2005	Otero
D582,019 S	12/2008	Yuan
D601,670 S	10/2009	Corbett
D602,122 S	10/2009	Corbett
D636,062 S	4/2011	Rubin et al.
D648,833 S	11/2011	Obara et al.
D649,224 S	11/2011	McKeone
D652,488 S	1/2012	Slothower et al.
D676,933 S	2/2013	Obara et al.
D694,366 S	11/2013	Hahn et al.
D700,957 S	3/2014	Mendoza et al.
D704,802 S	5/2014	Hahn et al.
D707,333 S	6/2014	Flowers
D712,521 S	9/2014	Smith et al.
D754,298 S	4/2016	Garland
D754,823 S	4/2016	Garland

Related U.S. Application Data

(62) Division of application No. 29/619,317, filed on Sep. 28, 2017, now Pat. No. Des. 822,177, which is a division of application No. 29/600,543, filed on Apr. 13, 2017, now Pat. No. Des. 802,099, which is a division of application No. 29/497,939, filed on Jul. 30, 2014, now Pat. No. Des. 787,639.

(51) **LOC (11) Cl.** **23-01**

(52) **U.S. Cl.**
USPC **D23/242**

(58) **Field of Classification Search**
USPC D23/238–243, 250, 252, 254–255, 257
CPC E03C 1/04; E03C 1/0401; E03C 1/0402;
E03C 1/0404; F16K 31/602; F16K
31/605; F16K 31/607
See application file for complete search history.

(56) **References Cited**

U.S. PATENT DOCUMENTS

D263,989 S	4/1982	Fleishmann et al.
D319,294 S	8/1991	Kohler et al.
D400,651 S	11/1998	Hundley et al.
D416,986 S	11/1999	Formgren
D462,418 S	9/2002	Smith
D463,536 S	9/2002	Lord
D501,671 S	2/2005	Bayer

Primary Examiner — Robert A Delehanty

(74) *Attorney, Agent, or Firm* — Foley & Lardner LLP

(57) **CLAIM**

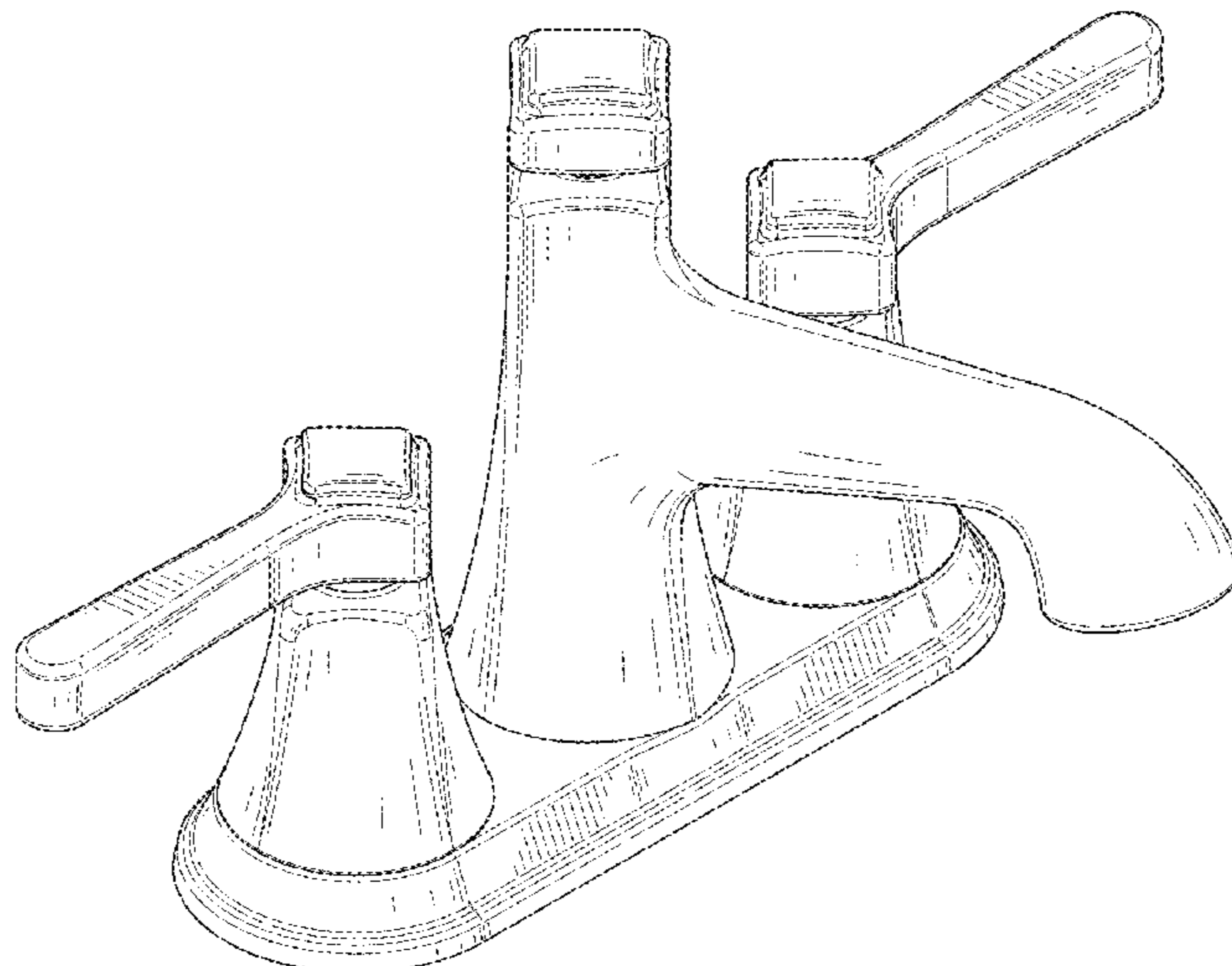
I claim the ornamental design for a faucet, as shown and described.

DESCRIPTION

FIG. 1 is a top, front, left perspective view of an embodiment of the claimed design;
FIG. 2 is a front elevation view thereof;
FIG. 3 is a rear elevation view thereof;
FIG. 4 is a left elevation view thereof;
FIG. 5 is a right elevation view thereof;
FIG. 6 is a top plan view thereof; and,
FIG. 7 is a bottom plan view thereof.

The ornamental design which is claimed is shown in solid lines in the drawings. The broken lines in the drawings form no part of the claimed design. Broken lines formed by equal length dashes show unclaimed subject matter. Broken lines formed by unequal length dashes (i.e., dash-dot) define bounds of the claimed design. Broken away symbols having a jagged element show that no particular length of the portion is claimed.

1 Claim, 6 Drawing Sheets



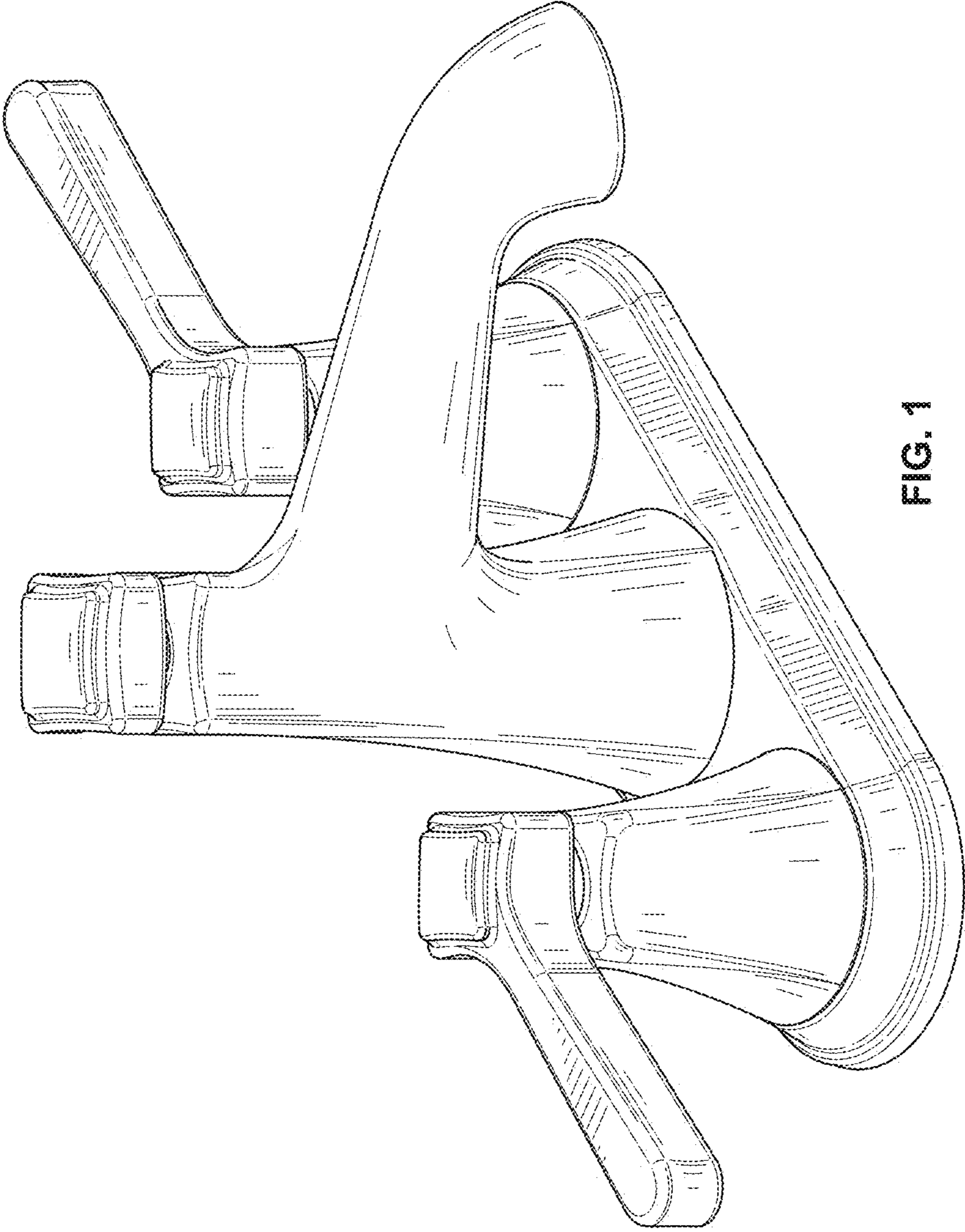


FIG. 1

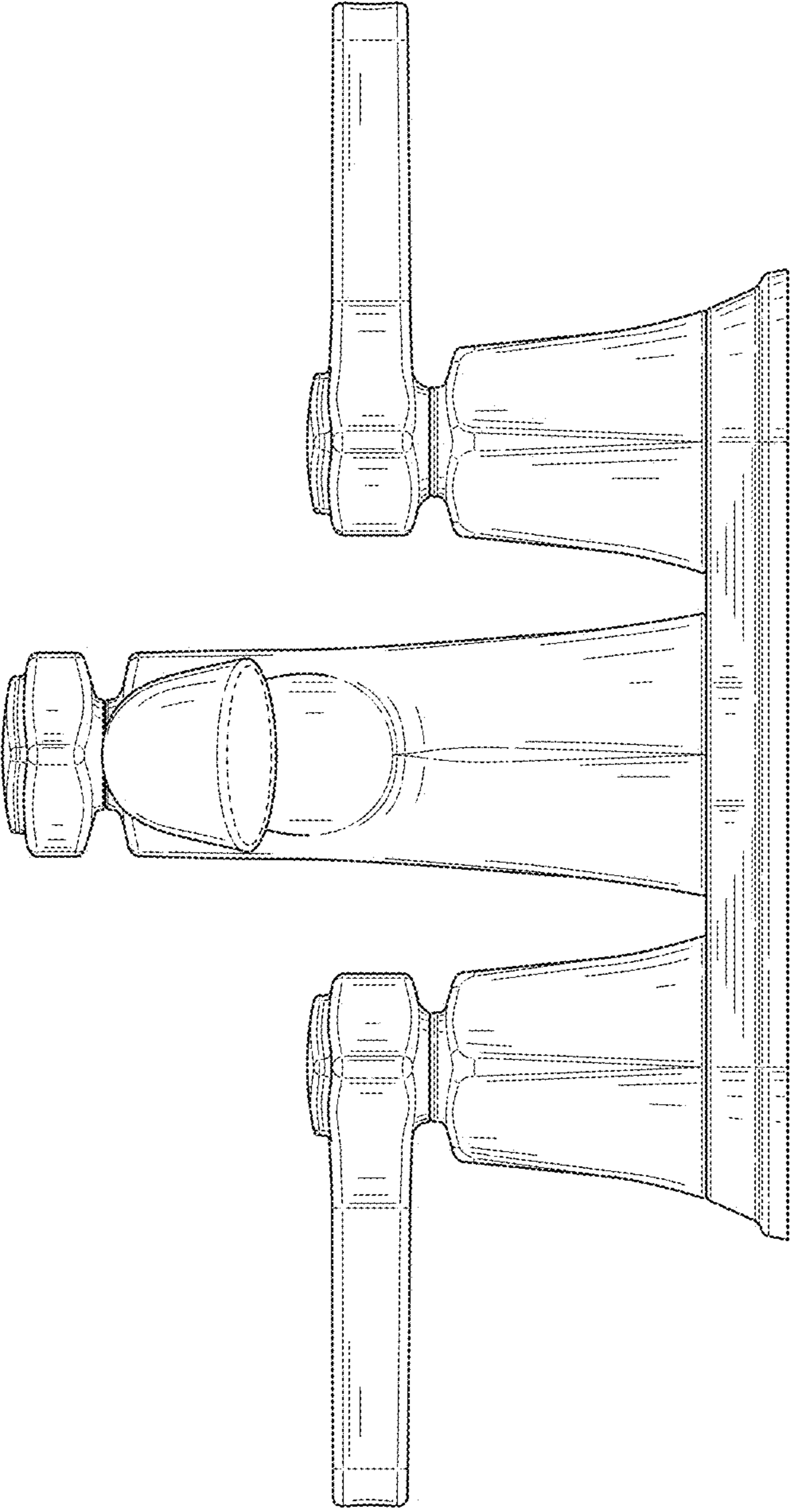


FIG. 2

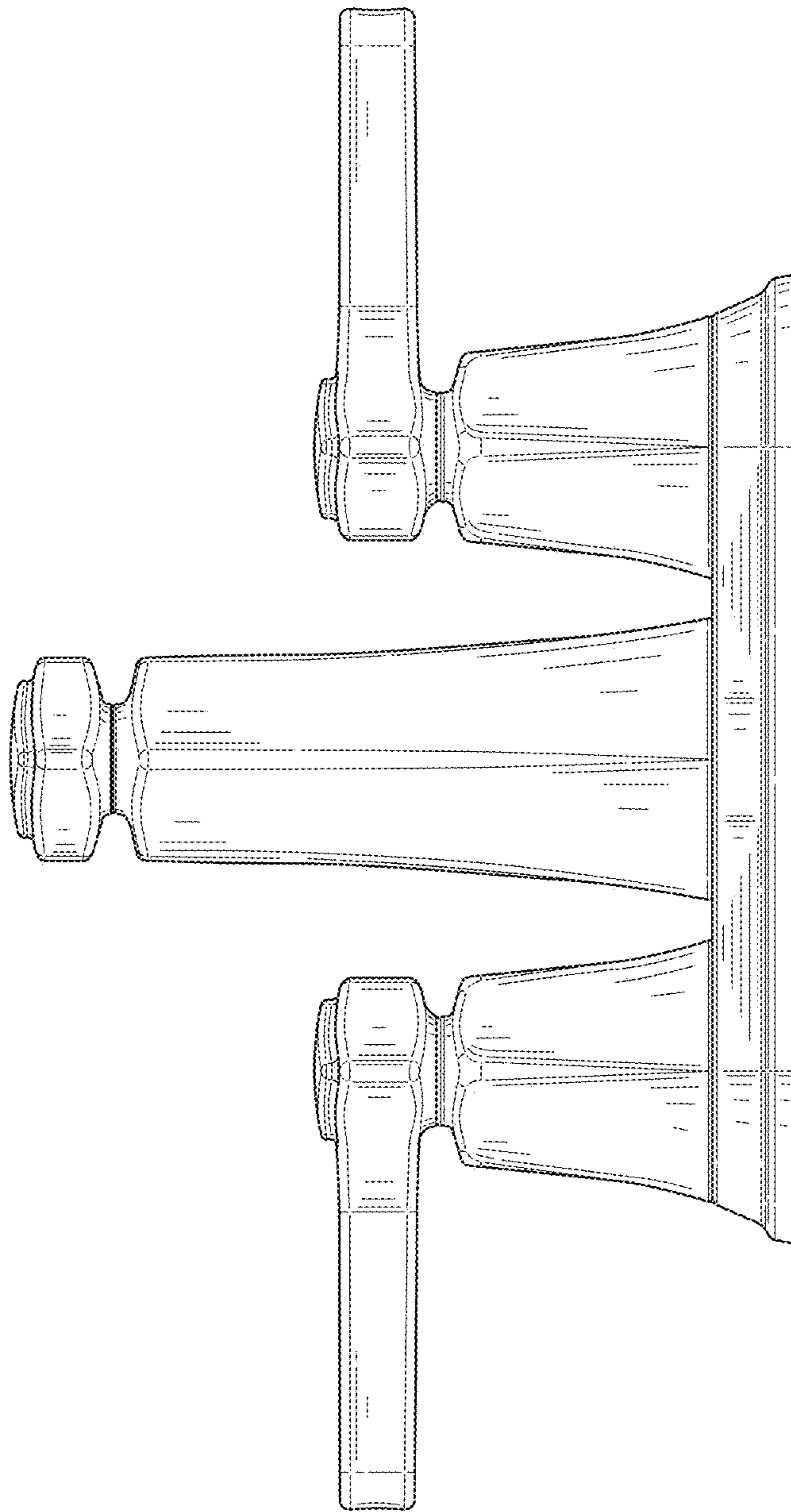


FIG. 3

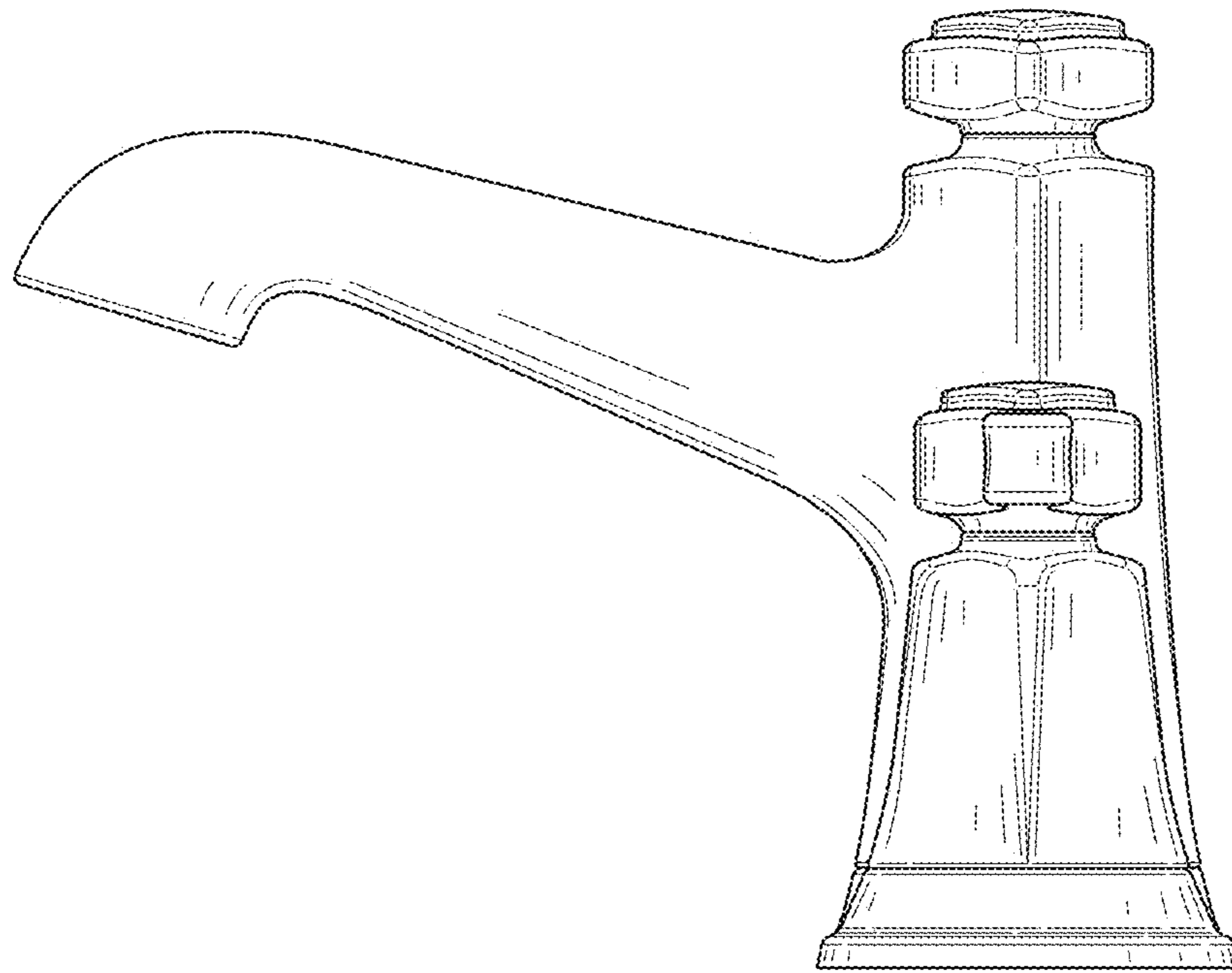


FIG. 4

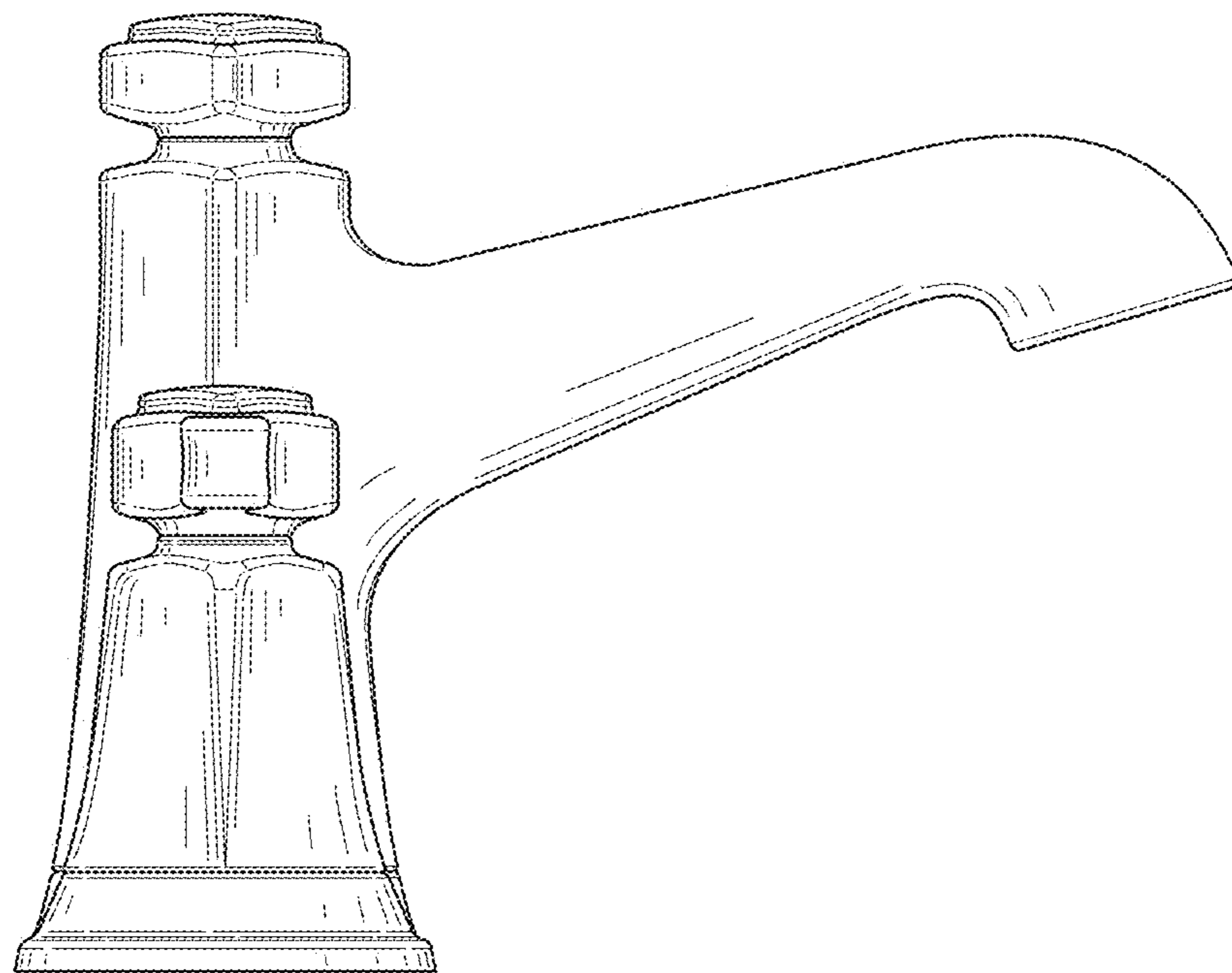


FIG. 5

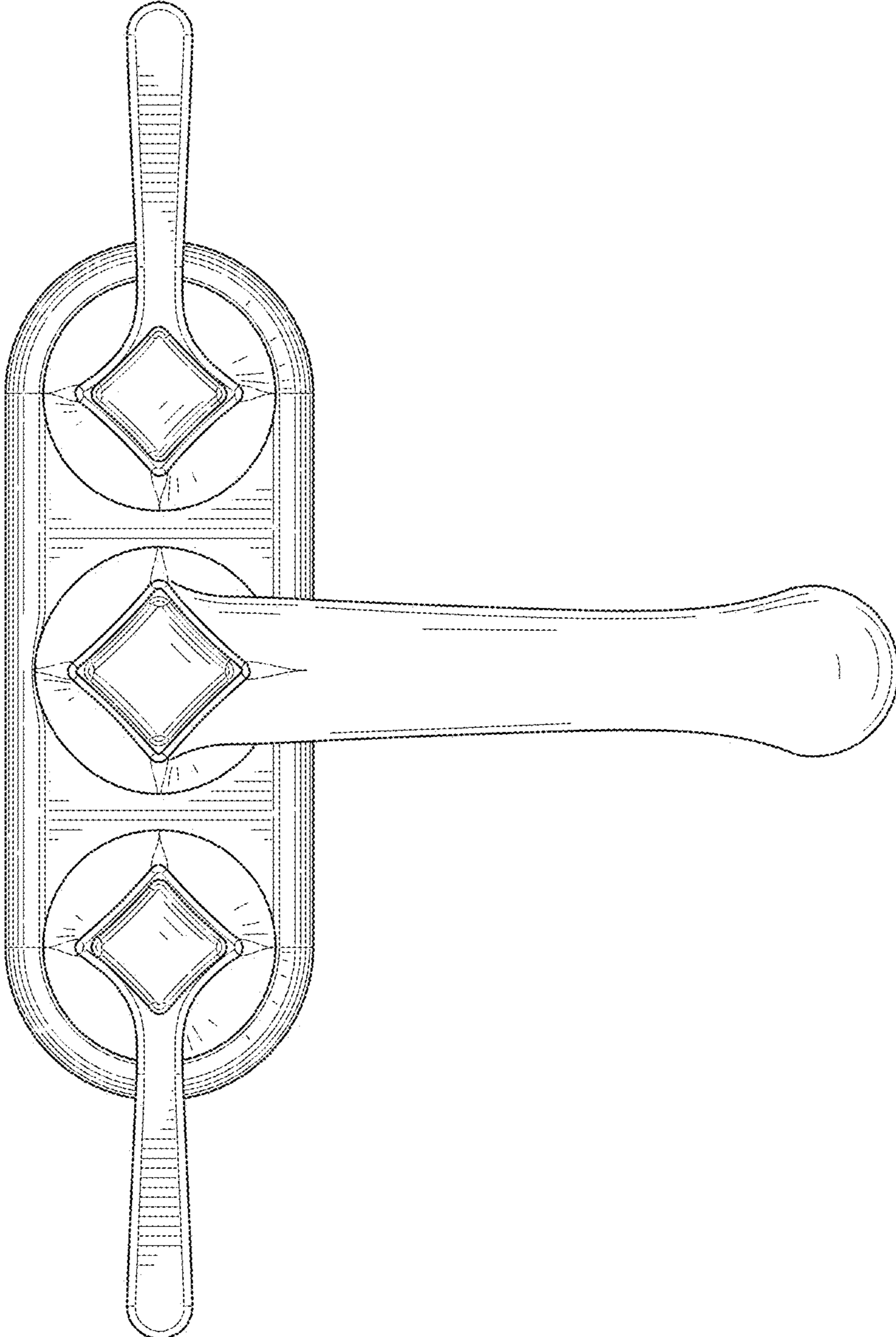


FIG. 6

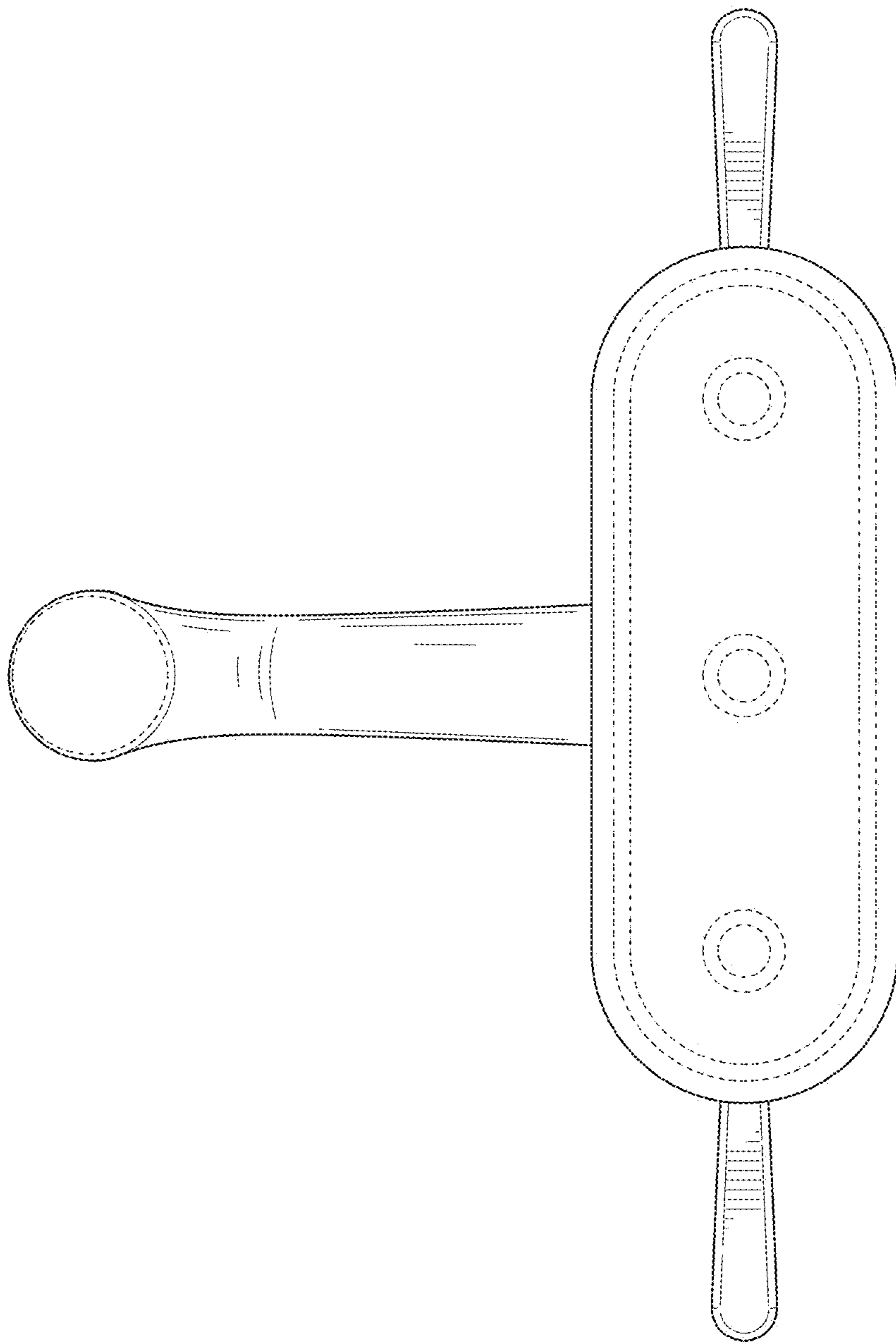


FIG. 7