



US00D827780S

(12) **United States Design Patent** (10) **Patent No.:** **US D827,780 S**
Soulier (45) **Date of Patent:** **** Sep. 4, 2018**

(54) **FAUCET**
(71) Applicant: **Kohler Co.**, Kohler, WI (US)
(72) Inventor: **Jean-Hugues Soulier**, Paris (FR)
(73) Assignee: **KOHLER CO.**, Kohler, WI (US)
(**) Term: **15 Years**
(21) Appl. No.: **29/585,148**
(22) Filed: **Nov. 21, 2016**
(51) **LOC (11) Cl.** **23-01**
(52) **U.S. Cl.**
USPC **D23/238**
(58) **Field of Classification Search**
USPC D23/238-243, 249-250, 252, 254-255,
D23/257; D8/300, 307-308
CPC Y10T 137/9464
See application file for complete search history.

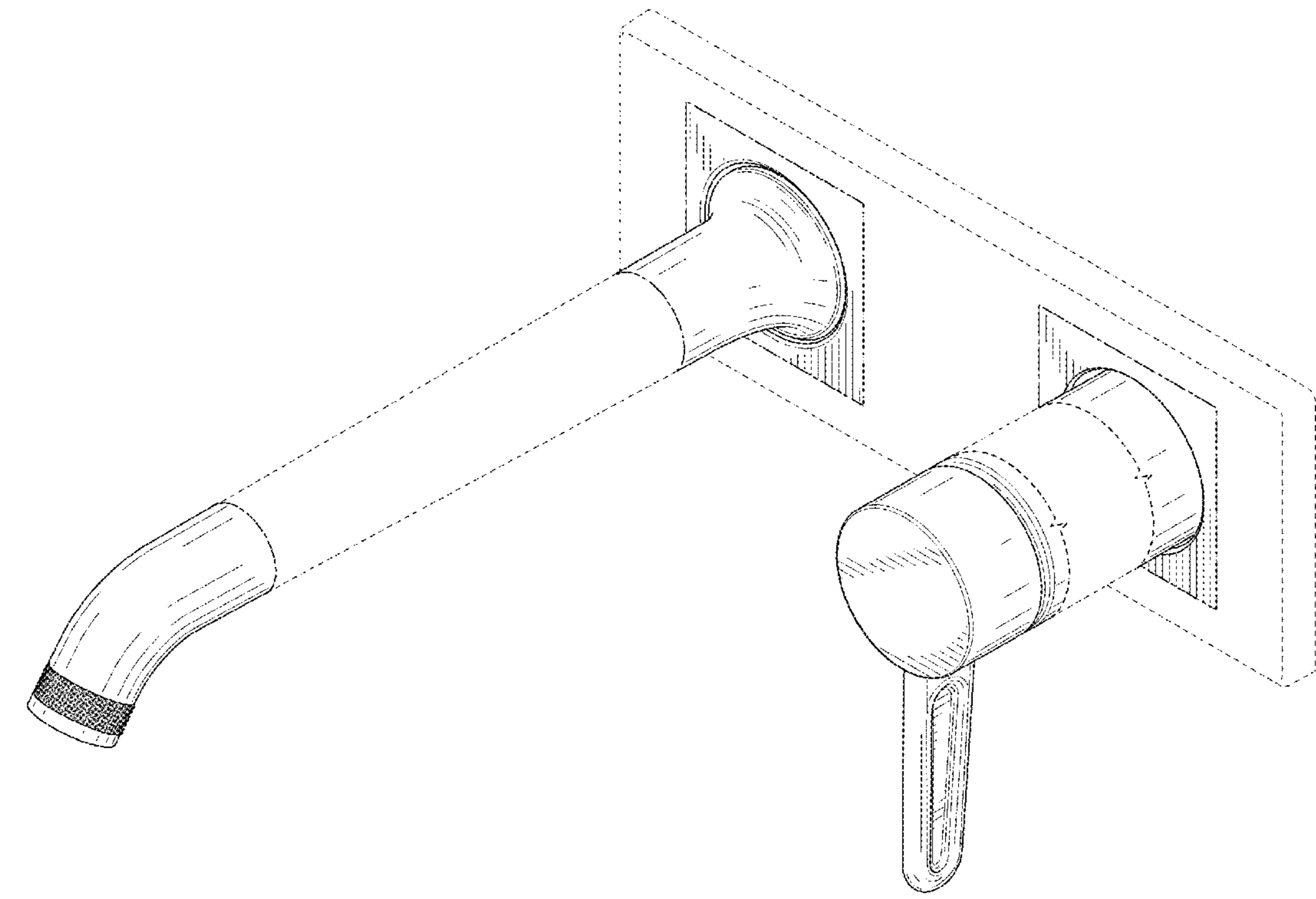
(56) **References Cited**
U.S. PATENT DOCUMENTS
D492,011 S * 6/2004 Blattner D23/238
D532,086 S * 11/2006 Haug D23/252
D533,924 S * 12/2006 Kirar D23/255
D580,519 S * 11/2008 Citterio D23/238
D592,284 S * 5/2009 Lammel D23/254
D735,299 S * 7/2015 Sieger D23/242

D786,407 S * 5/2017 Clarke D23/252
* cited by examiner
Primary Examiner — Robert A Delehanty
(74) *Attorney, Agent, or Firm* — Foley & Lardner LLP

(57) **CLAIM**
I claim the ornamental design for a faucet, as shown and described.

DESCRIPTION
FIG. 1 is a top, front, right perspective view of the claimed design, according to an exemplary embodiment;
FIG. 2 is a front elevation view thereof;
FIG. 3 is a right side elevation view thereof;
FIG. 4 is a left side elevation view thereof;
FIG. 5 is a top plan view thereof; and,
FIG. 6 is a bottom plan view thereof.
The ornamental design which is claimed is shown in solid lines in the drawings. The broken lines in the drawings are for illustrative purposes only and form no part of the claimed design. Broken lines formed by equal length dashes show unclaimed subject matter. Broken lines formed by unequal length dashes (i.e., dash-dot) define bounds of the claimed design. Broken away symbols having a jagged element depict unspecified length of the portion. The appearance of any portion of the article between the broken away symbols forms no part of the claimed design.

1 Claim, 6 Drawing Sheets



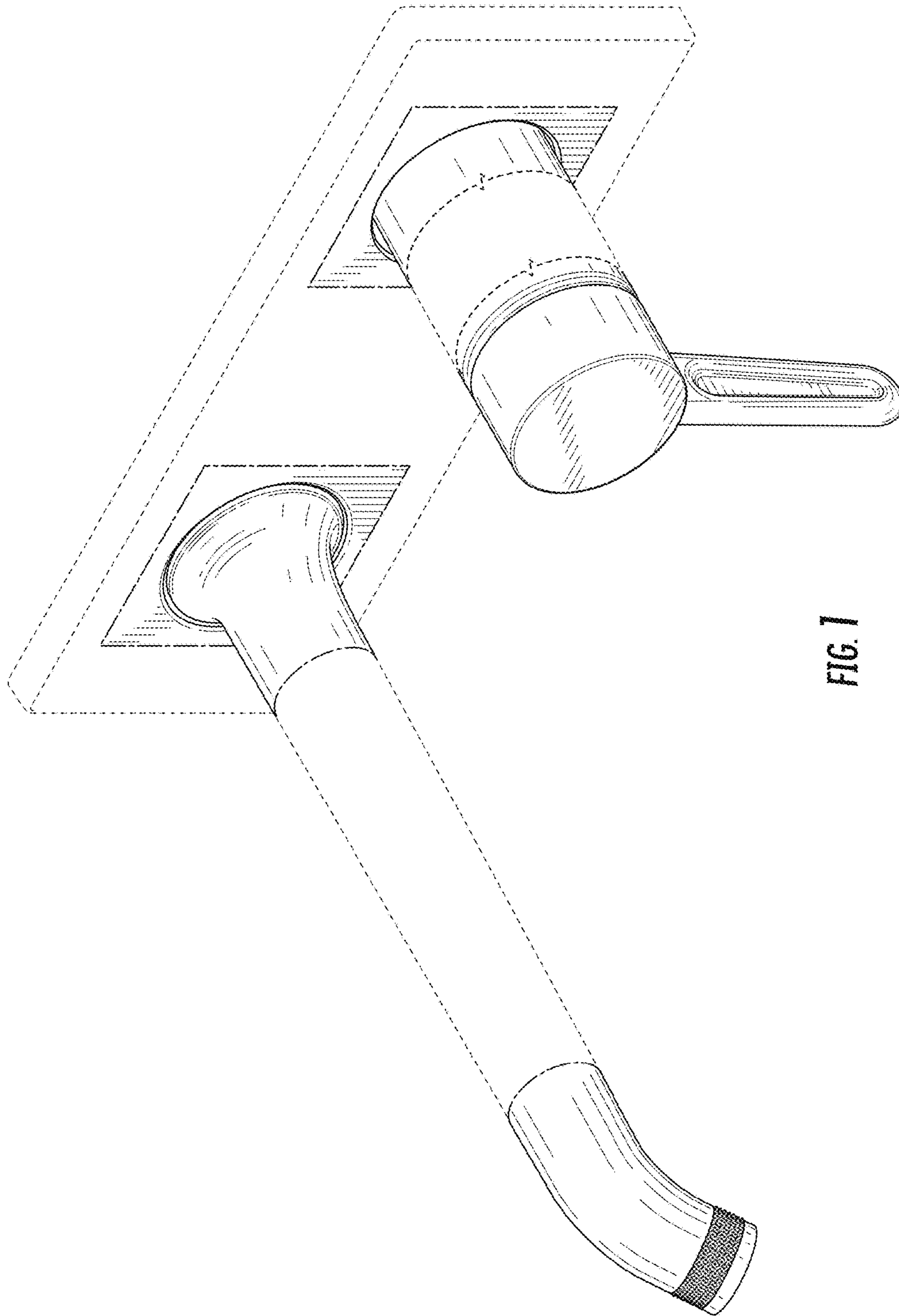


FIG. 1

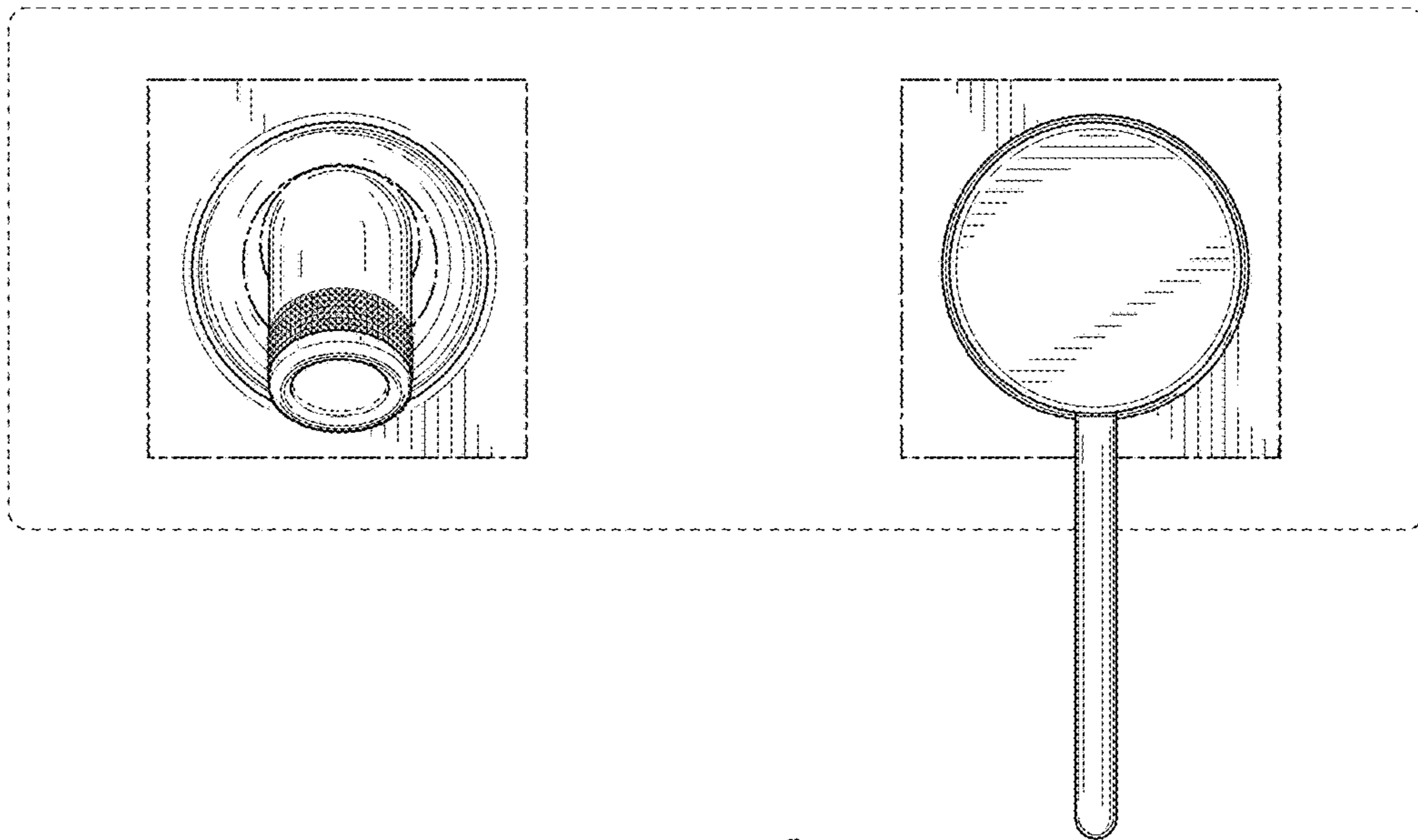


FIG. 2

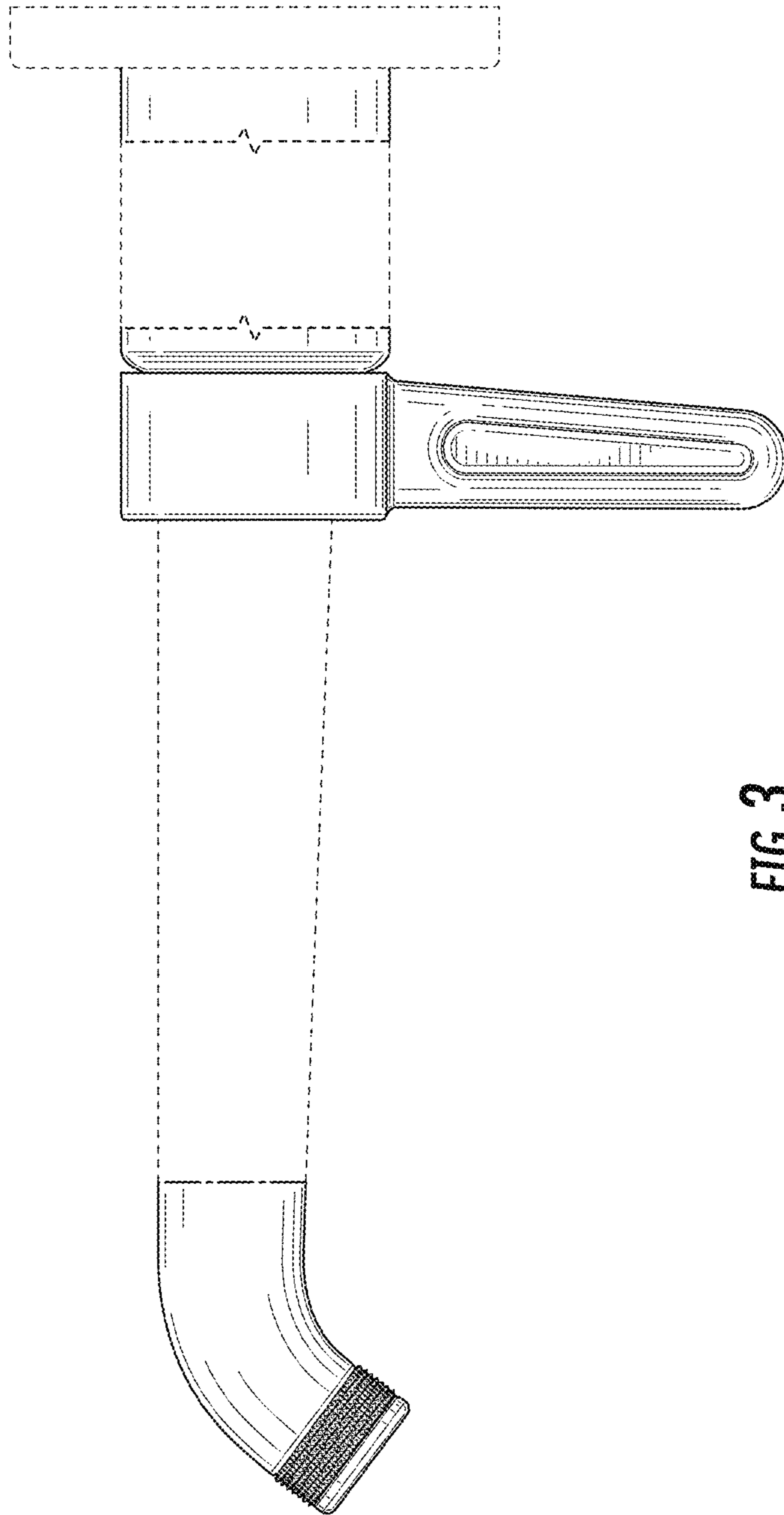


FIG. 3

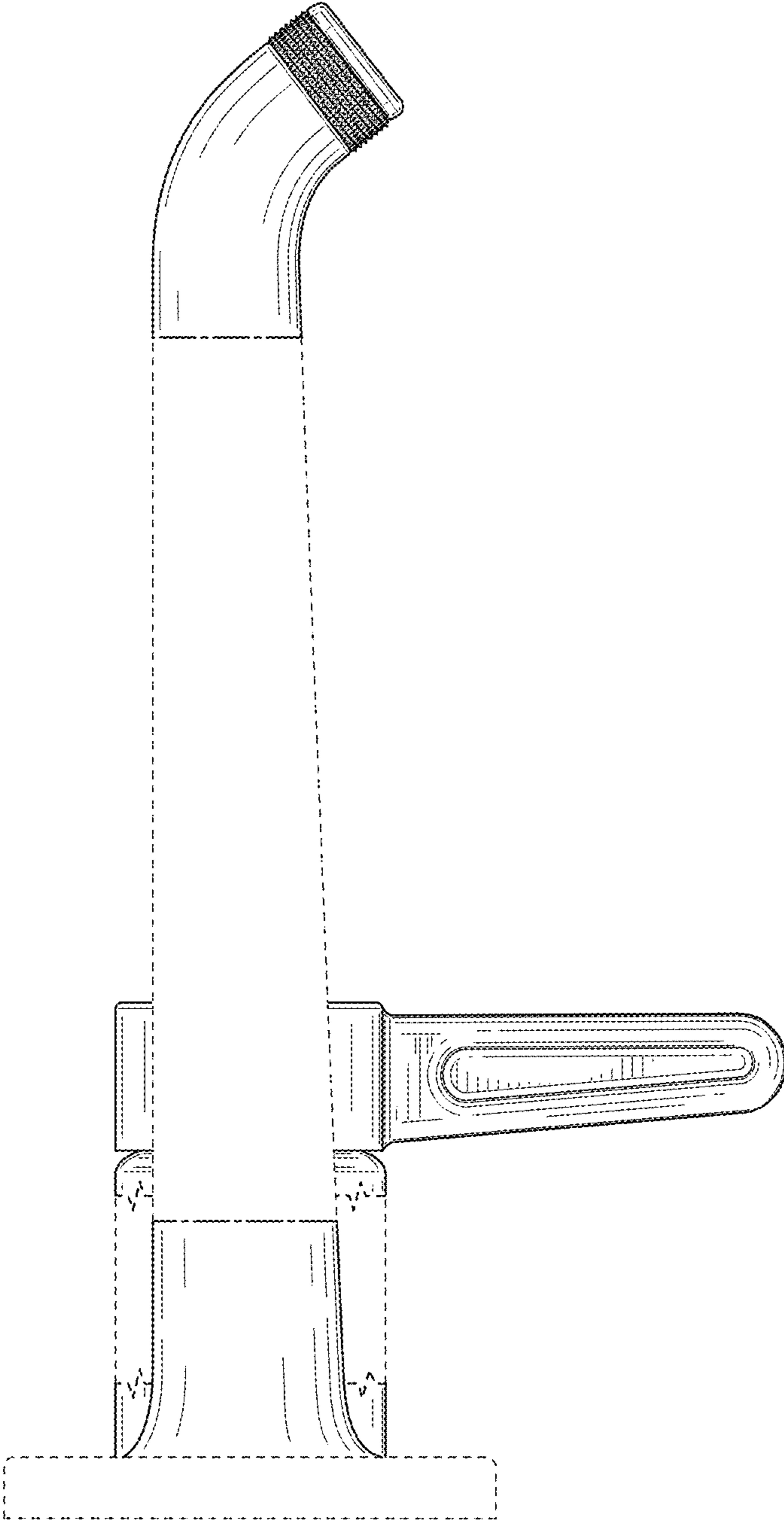


FIG. 4

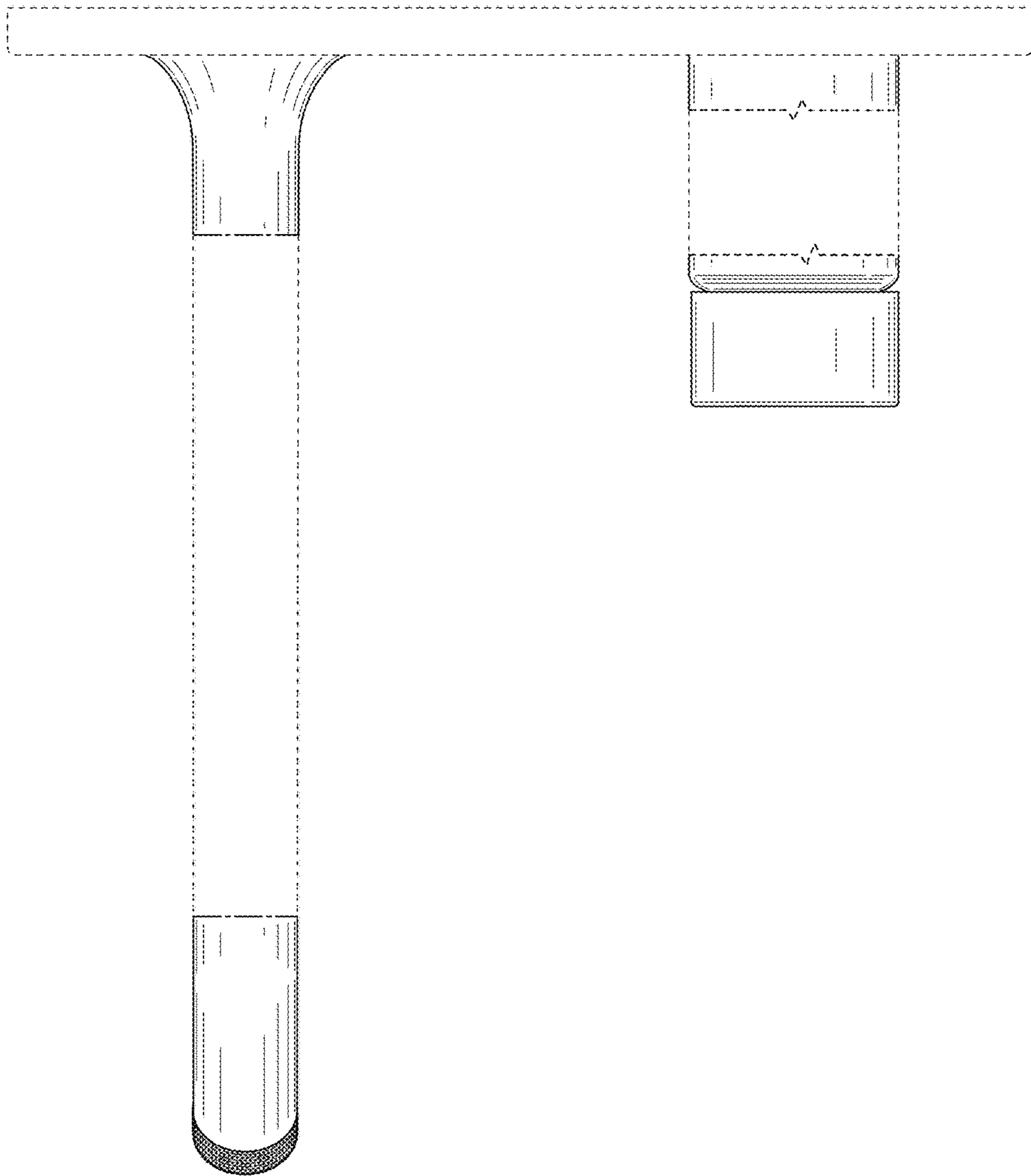


FIG. 5

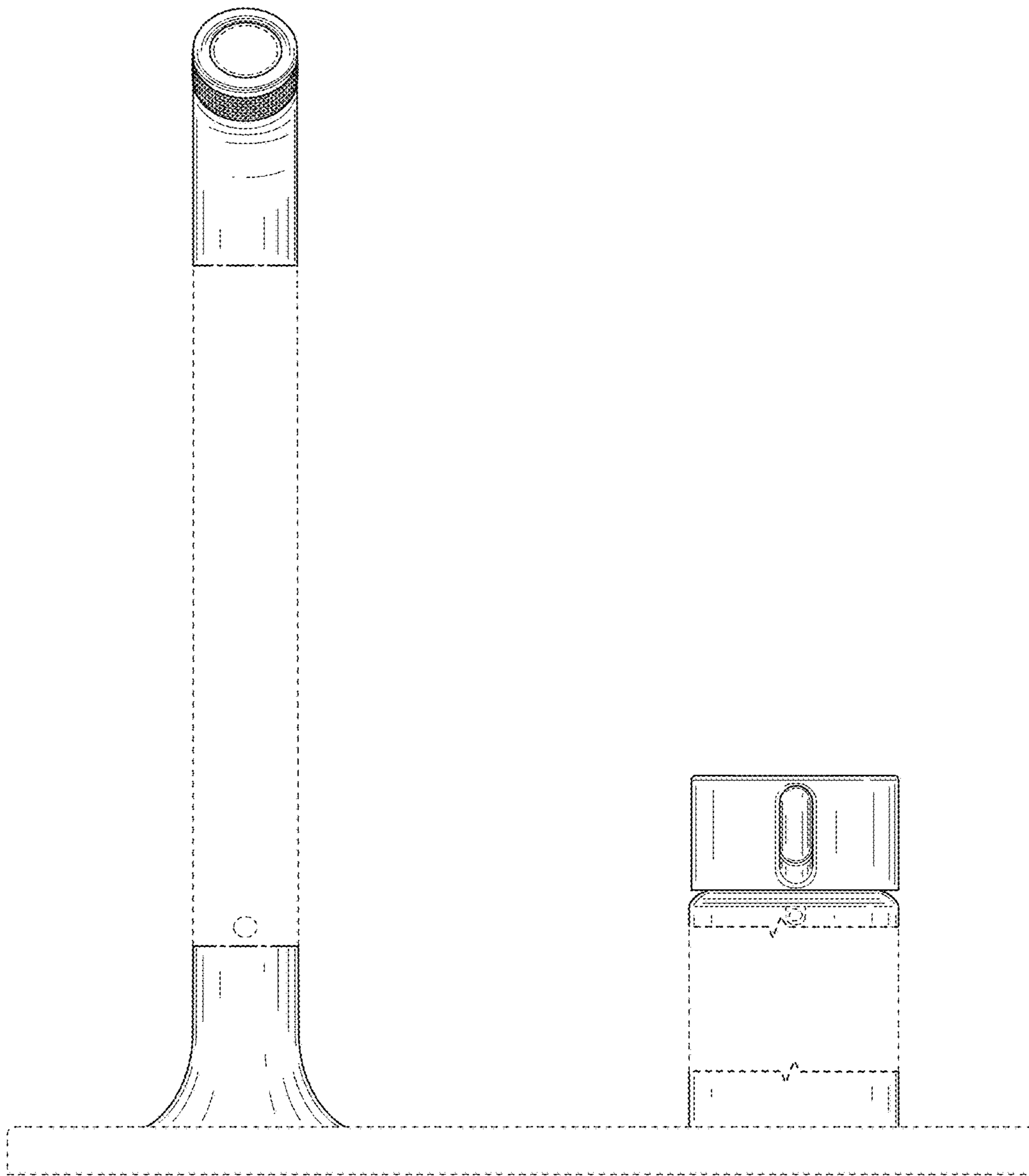


FIG. 6