



US00D827779S

(12) **United States Design Patent**
Soulier

(10) **Patent No.:** **US D827,779 S**

(45) **Date of Patent:** **** Sep. 4, 2018**

(54) **FAUCET**

(71) Applicant: **Kohler Co.**, Kohler, WI (US)

(72) Inventor: **Jean-Hugues Soulier**, Paris (FR)

(73) Assignee: **KOHLER CO.**, Kohler, WI (US)

(**) Term: **15 Years**

(21) Appl. No.: **29/585,130**

(22) Filed: **Nov. 21, 2016**

(51) **LOC (11) Cl.** **23-01**

(52) **U.S. Cl.**
USPC **D23/238**

(58) **Field of Classification Search**
USPC D23/238-243, 249-250, 252, 254-255,
D23/257; D8/300, 307-308
CPC Y10T 137/9464
See application file for complete search history.

(56) **References Cited**

U.S. PATENT DOCUMENTS

D462,421 S	*	9/2002	Hundley	D23/252
D466,977 S	*	12/2002	Cummings	D23/238
D487,133 S	*	2/2004	Haug	D23/238
D531,267 S		10/2006	Hundley		
D533,924 S		12/2006	Kirar		
D624,989 S	*	10/2010	Sieger	D23/238

D628,275 S	*	11/2010	Lammel	D23/238
D635,220 S		3/2011	Rubin et al.		
D635,221 S		3/2011	Rubin et al.		
D636,062 S		4/2011	Rubin et al.		
D662,183 S	*	6/2012	Sieger	D23/238
D698,420 S		1/2014	Hahn et al.		
D786,407 S	*	5/2017	Clarke	D23/252
D802,101 S	*	11/2017	Kirar	D23/257

* cited by examiner

Primary Examiner — Robert A Delehanty

(74) *Attorney, Agent, or Firm* — Foley & Lardner LLP

(57) **CLAIM**

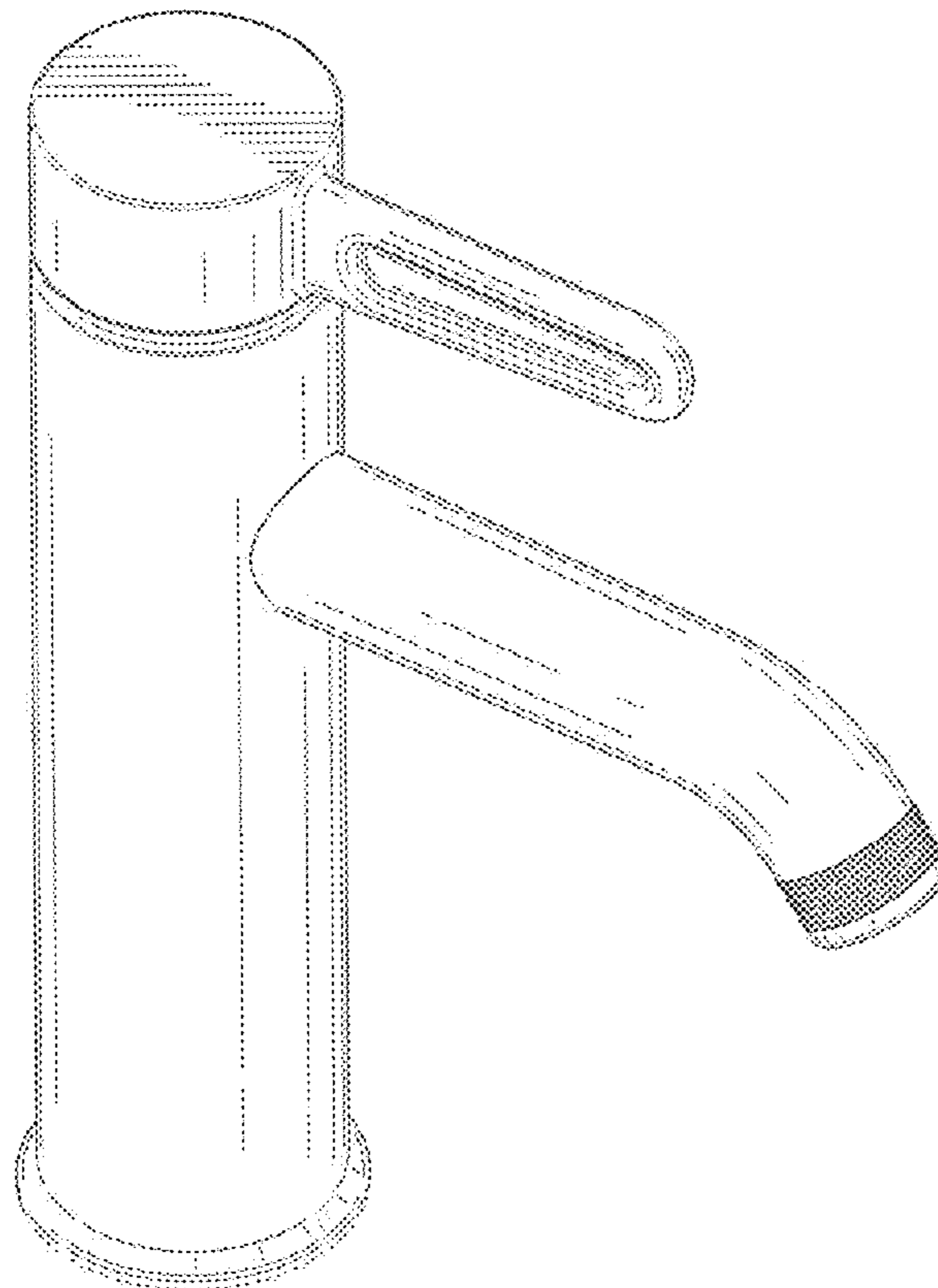
I claim the ornamental design for a faucet, as shown and described.

DESCRIPTION

FIG. 1 is a top, front, left perspective view of the claimed design, according to an exemplary embodiment; FIG. 2 is a right side elevation view thereof; FIG. 3 is a left side elevation view thereof; FIG. 4 is a front elevation view thereof; FIG. 5 is a rear elevation view thereof; FIG. 6 is a top plan view thereof; and, FIG. 7 is a bottom plan view thereof.

The ornamental design which is claimed is shown in solid lines in the drawings. The broken lines in the drawings are for illustrative purposes only and form no part of the claimed design. Broken lines formed by equal length dashes show unclaimed subject matter.

1 Claim, 5 Drawing Sheets



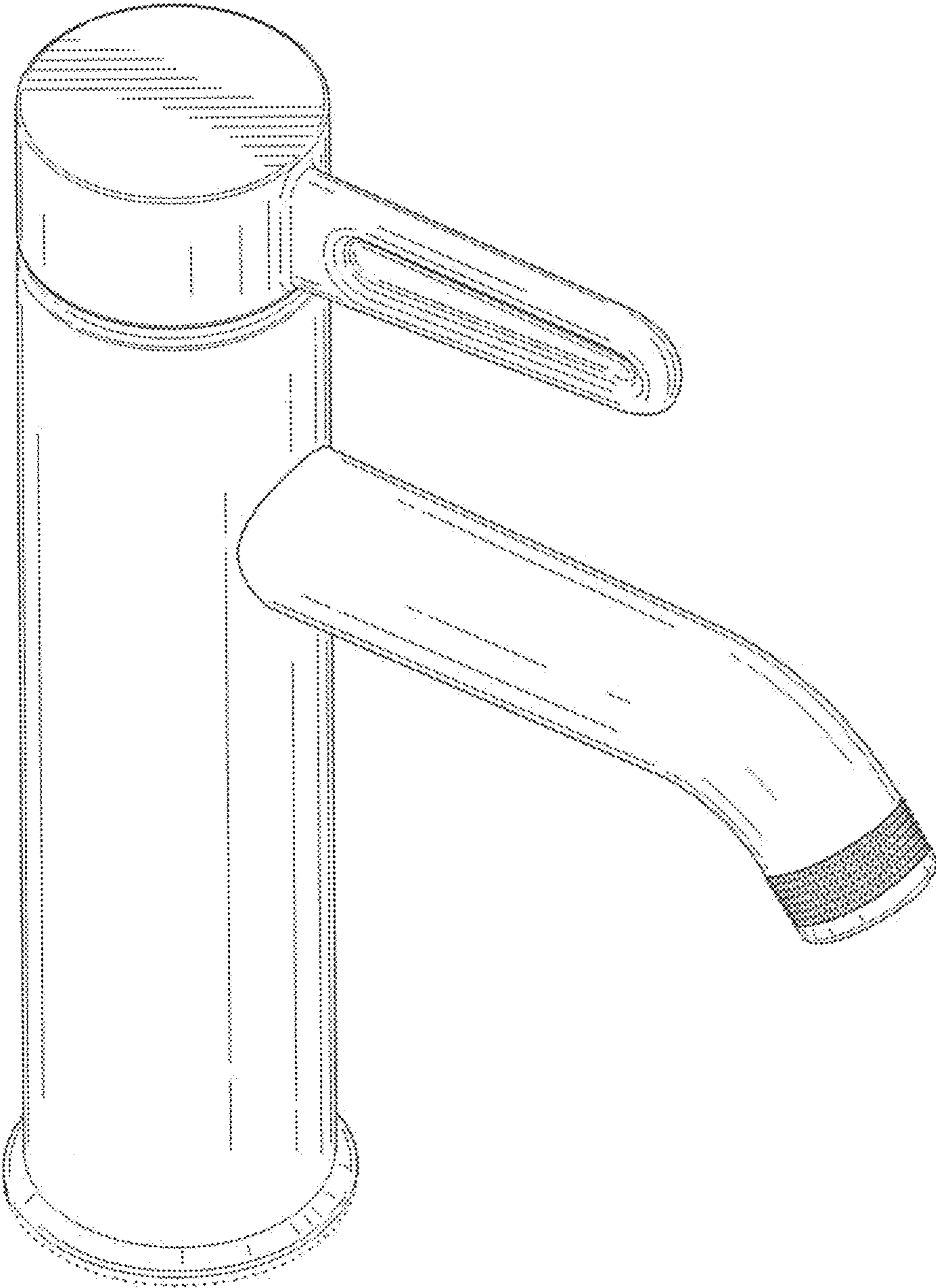


FIG. 1

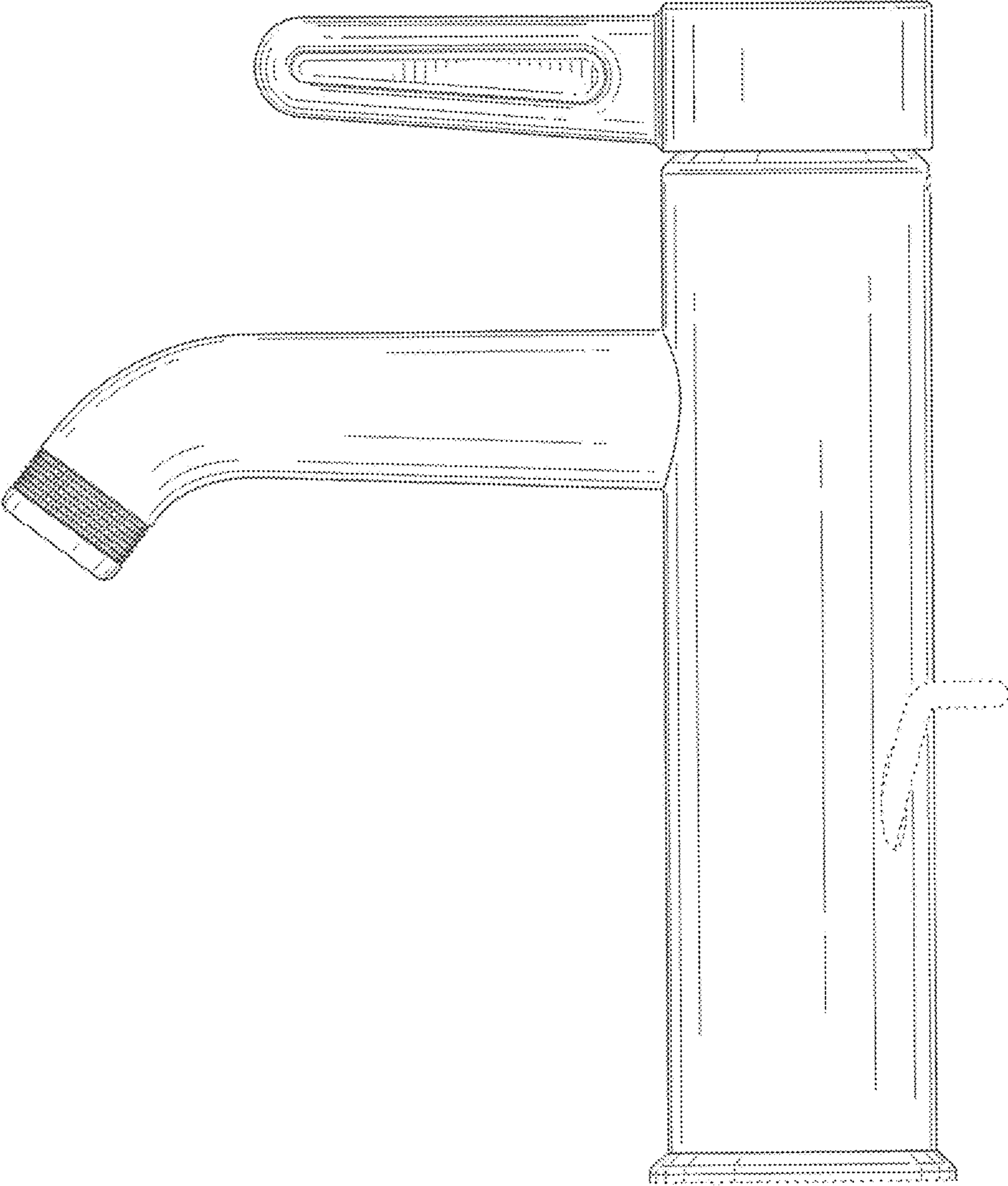


FIG. 2

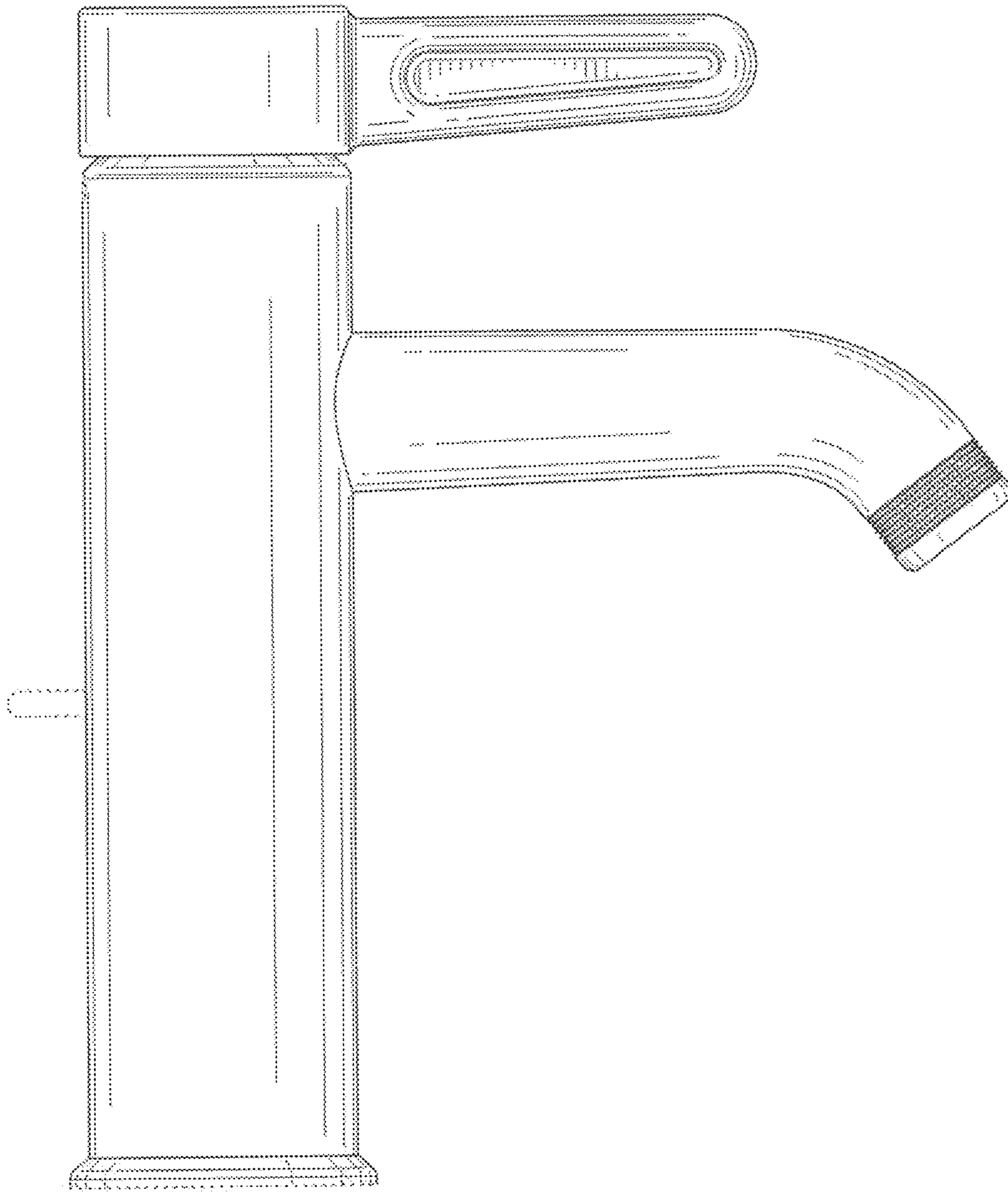


FIG. 3

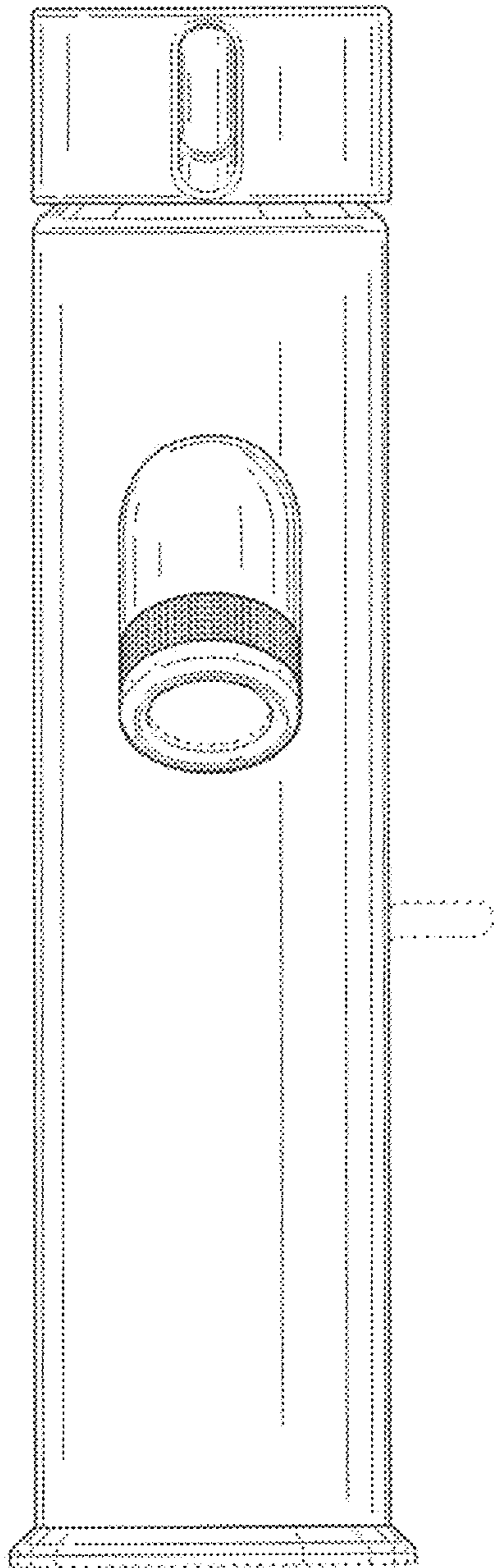


FIG. 4

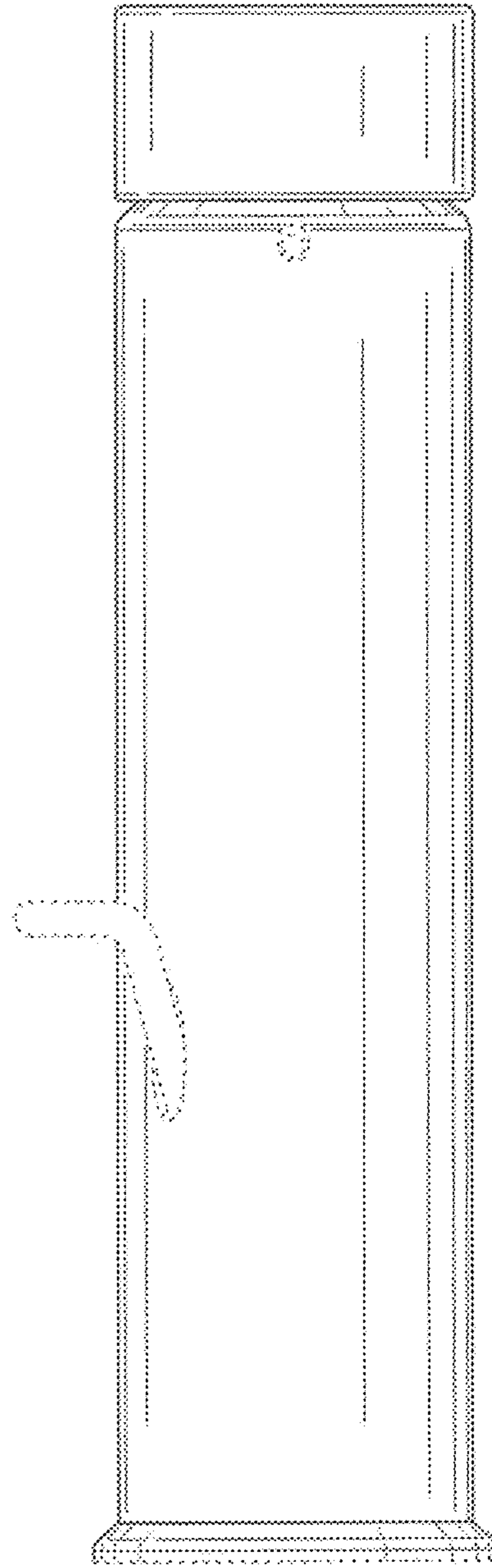


FIG. 5

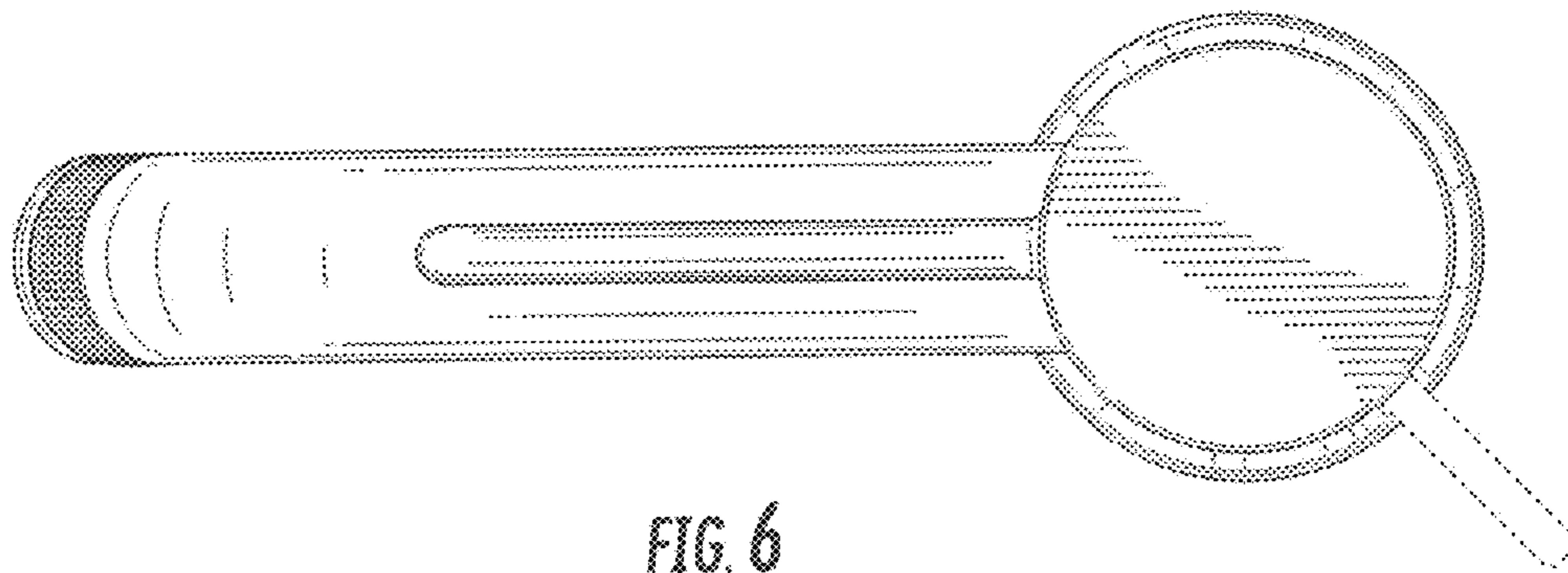


FIG. 6

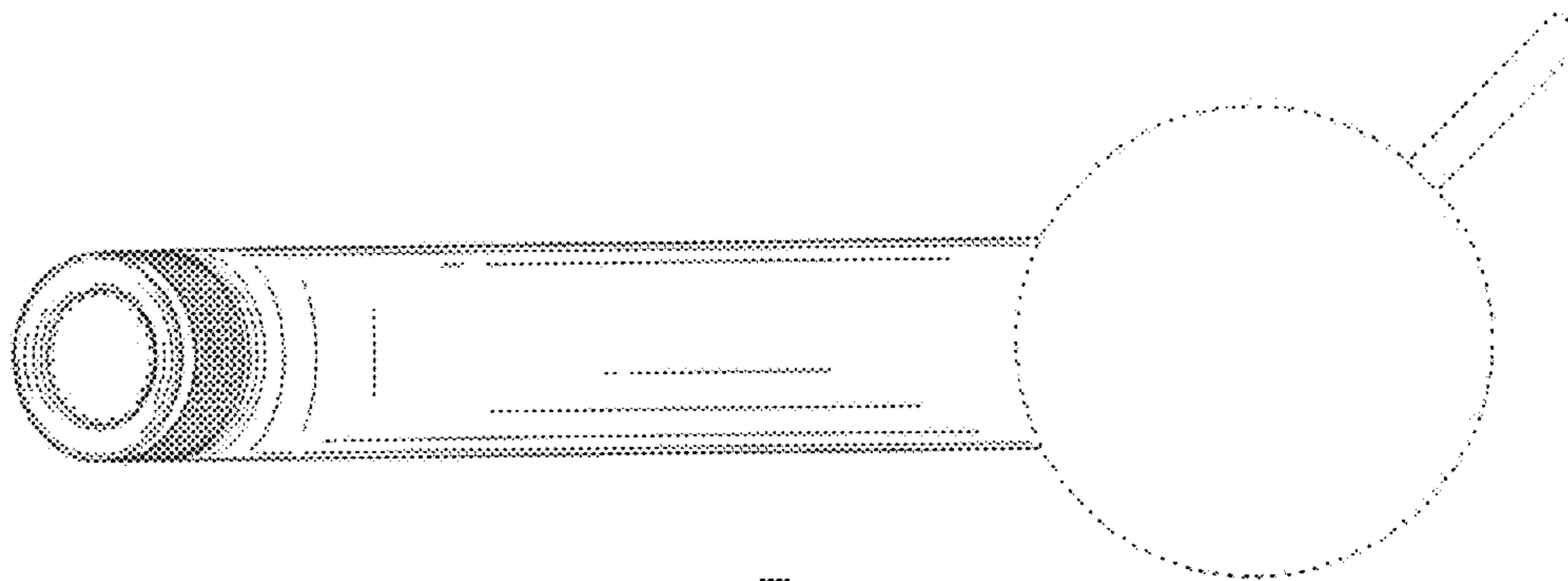


FIG. 7