



US00D827778S

(12) **United States Design Patent** (10) **Patent No.:** **US D827,778 S**
Miyazoe et al. (45) **Date of Patent:** **** Sep. 4, 2018**

(54) **MANIFOLD TYPE ELECTROMAGNETIC VALVE**

(71) Applicant: **SMC CORPORATION**, Chiyoda-ku (JP)

(72) Inventors: **Shinji Miyazoe**, Moriya (JP); **Takashi Murakami**, Moriya (JP)

(73) Assignee: **SMC CORPORATION**, Chiyoda-ku (JP)

(**) Term: **15 Years**

(21) Appl. No.: **29/610,308**

(22) Filed: **Jul. 11, 2017**

(30) **Foreign Application Priority Data**

Jan. 31, 2017 (JP) 2017-001601

(51) **LOC (11) Cl.** **23-01**

(52) **U.S. Cl.**
USPC **D23/233**

(58) **Field of Classification Search**
USPC D23/233, 249; 137/884, 269, 554, 861, 137/882, 270, 271, 625.64, 487.5; 251/129.01, 129.15, 129.2, 596.13, 251/596.16, 15, 130, 219, 331, 129.04; D15/1, 5, 199
CPC F16K 27/003; F16K 31/0634
See application file for complete search history.

(56) **References Cited**

U.S. PATENT DOCUMENTS

D616,965 S * 6/2010 Miyazoe D23/233
D639,825 S * 6/2011 Murakami D15/5

D689,984 S * 9/2013 Miyazoe D23/233
D690,392 S * 9/2013 Miyazoe D23/233
D810,873 S * 2/2018 Yoshida D23/233
D811,526 S * 2/2018 Yoshida D23/233
D812,720 S * 3/2018 Yoshida D23/233
2003/0155025 A1 * 8/2003 Camozzi F15B 13/0402
137/884

* cited by examiner

Primary Examiner — Cynthia Ramirez

Assistant Examiner — Gino Colan

(74) *Attorney, Agent, or Firm* — Oblon, McClelland, Maier & Neustadt, L.L.P.

(57) **CLAIM**

The ornamental design for a manifold type electromagnetic valve, as shown and described.

DESCRIPTION

FIG. 1 is a front, top, and left side perspective view of a manifold type electromagnetic valve;

FIG. 2 is a rear, bottom, and right side perspective view thereof;

FIG. 3 is a front elevational view thereof;

FIG. 4 is a rear elevational view thereof;

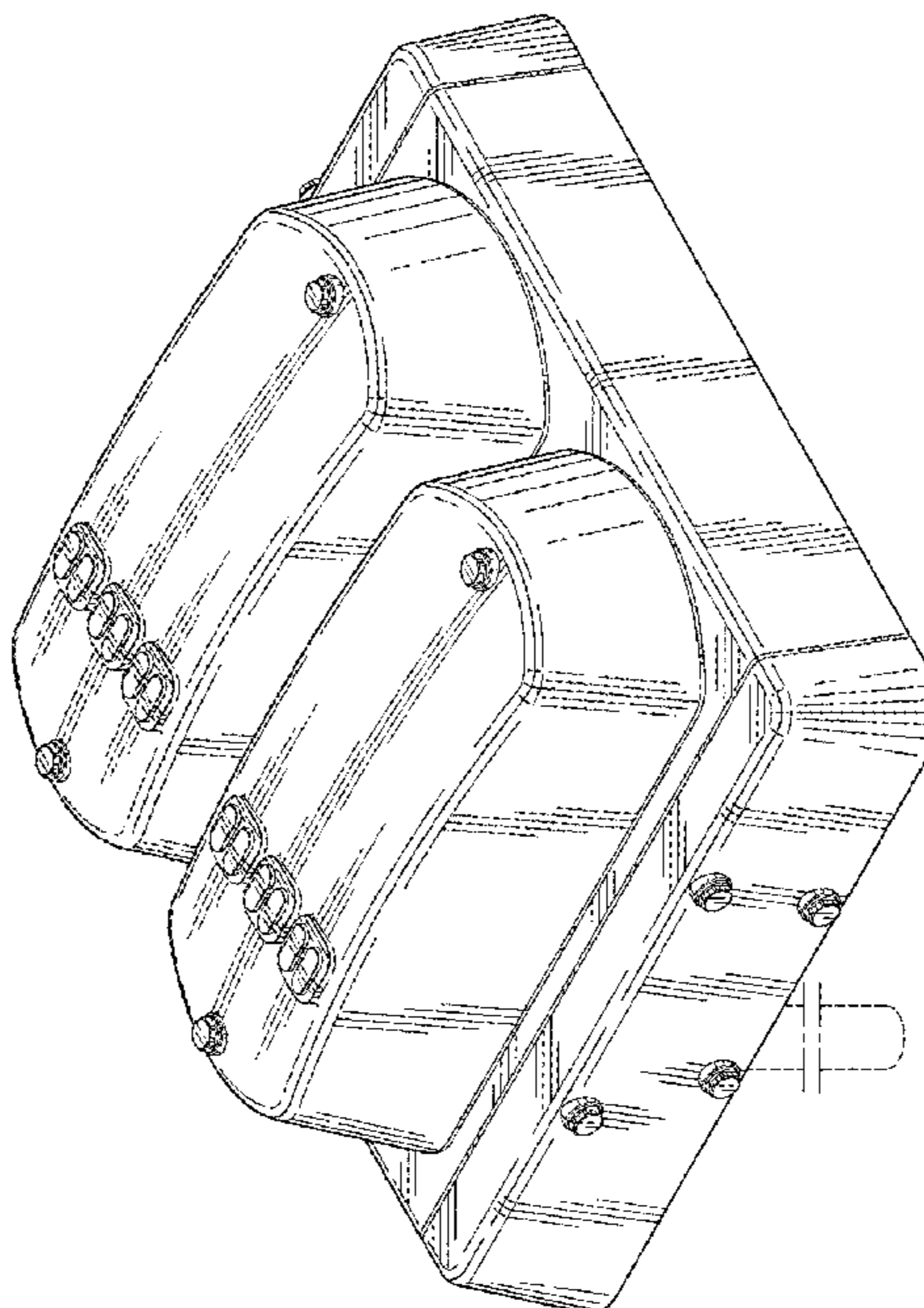
FIG. 5 is a top plan view thereof;

FIG. 6 is a bottom plan view thereof; and,

FIG. 7 is a left side elevational view thereof, the right side elevational view being a mirror image of the left side elevational view shown.

The broken lines shown in the figures are for the purpose of illustrating portions of the manifold type electromagnetic valve and form no part of the claimed design.

1 Claim, 7 Drawing Sheets



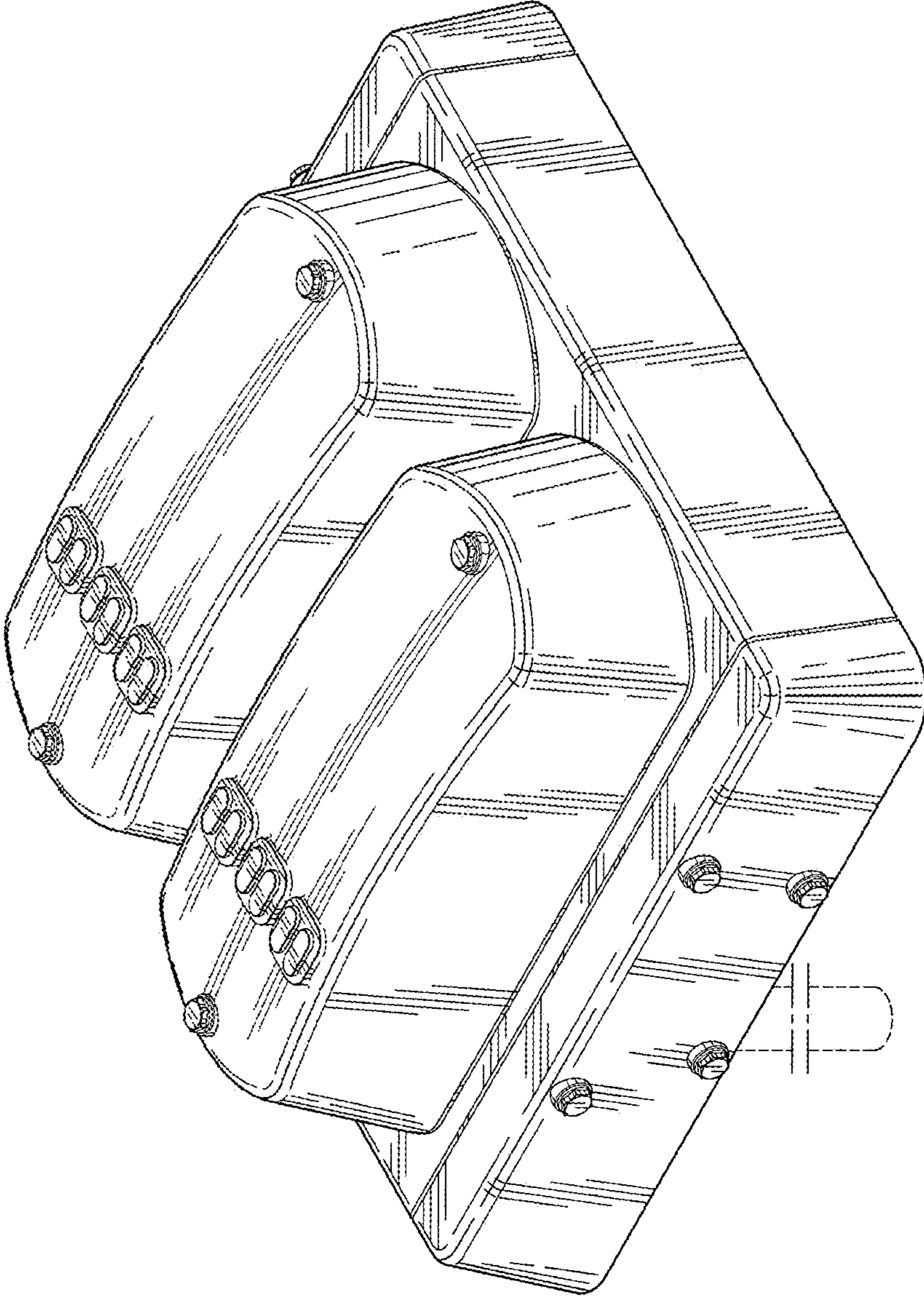


FIG. 1

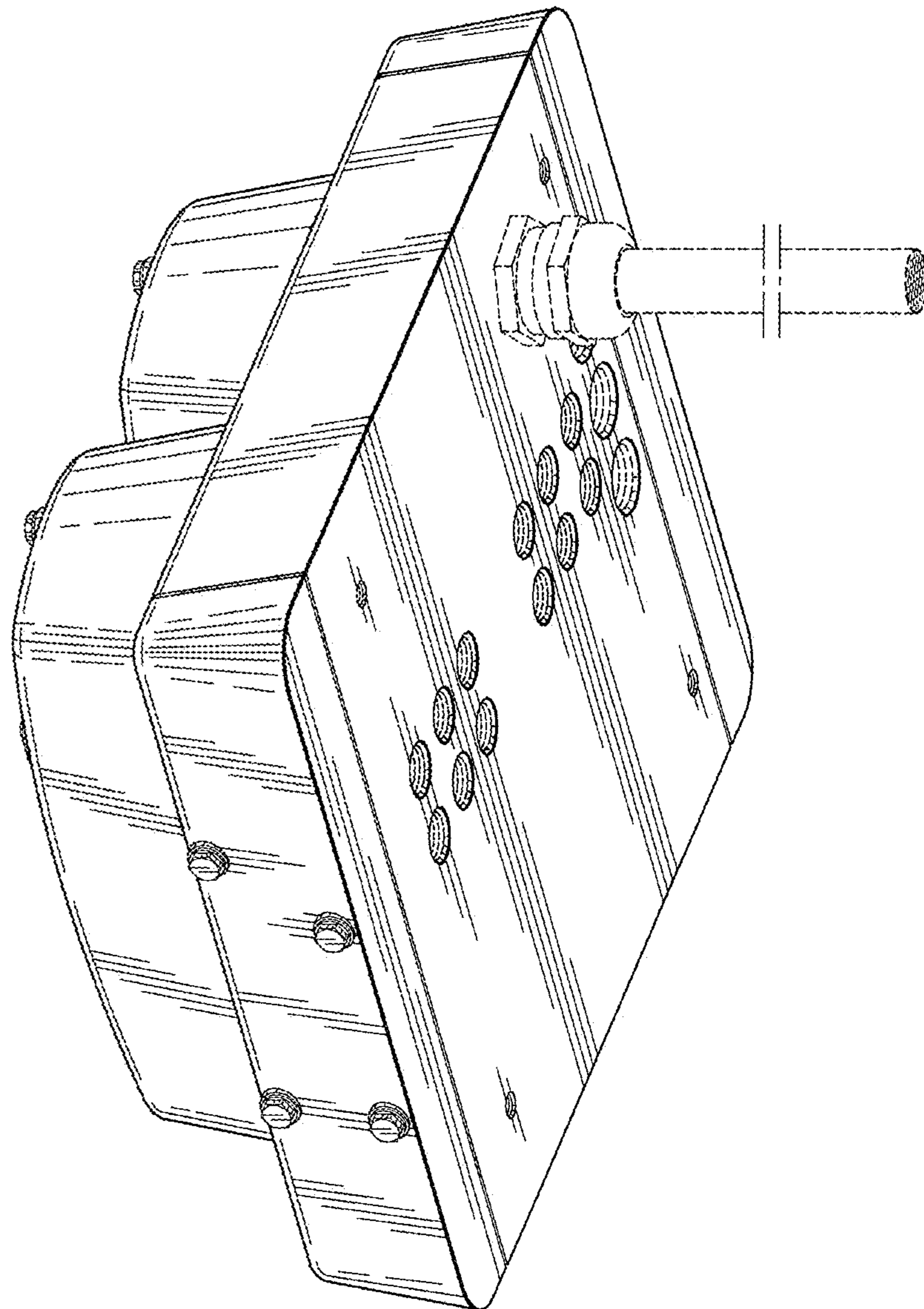


FIG. 2

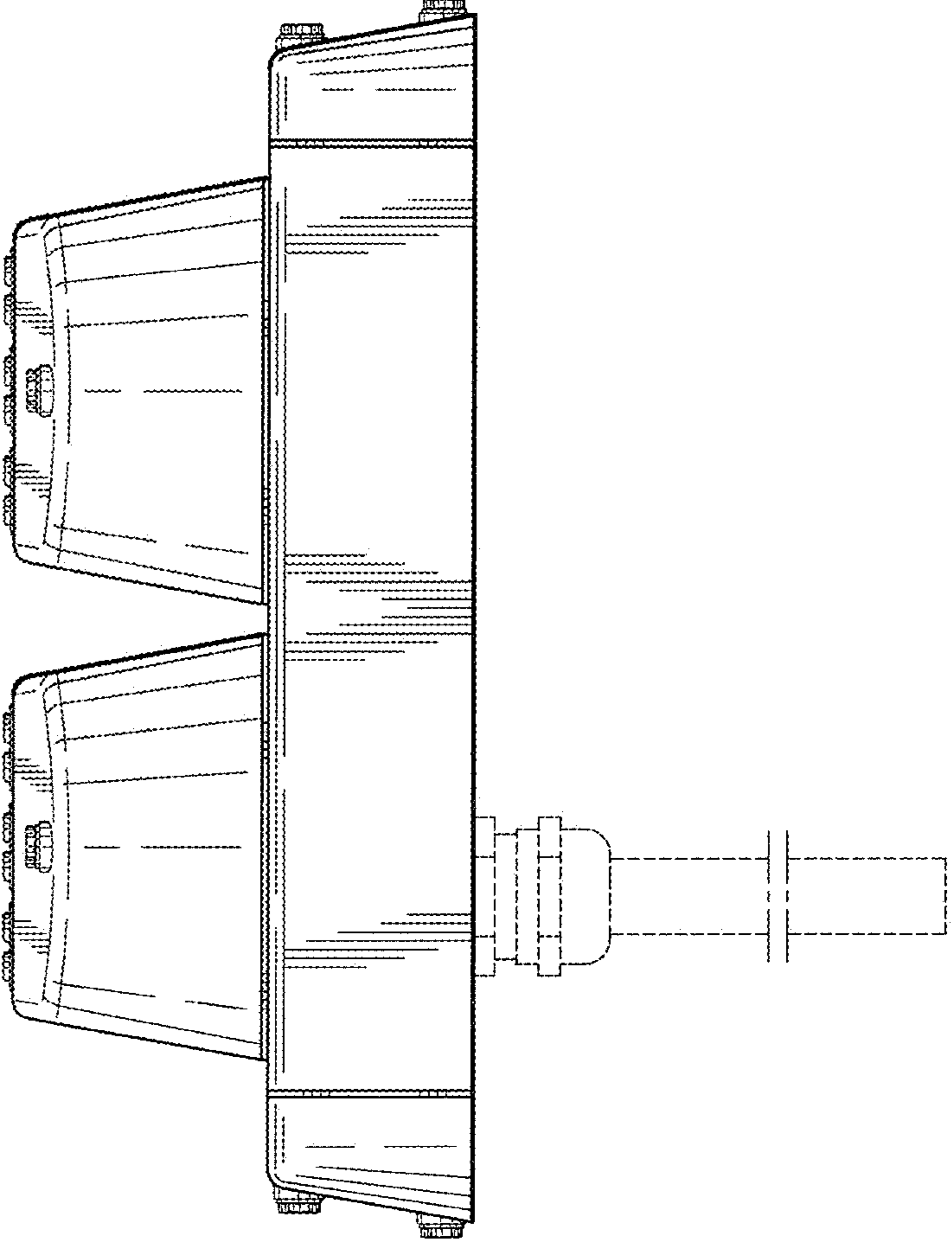


FIG. 3

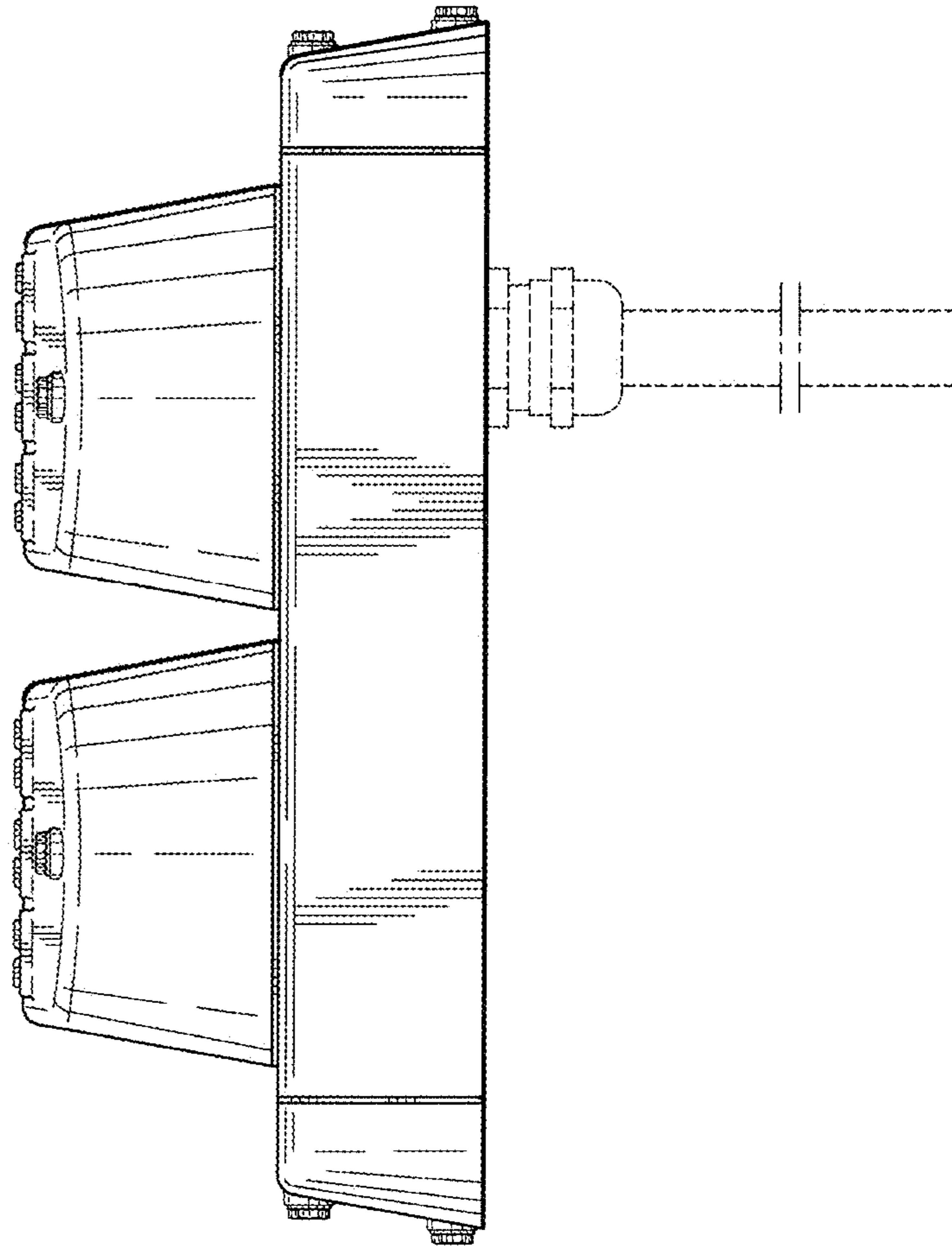


FIG. 4

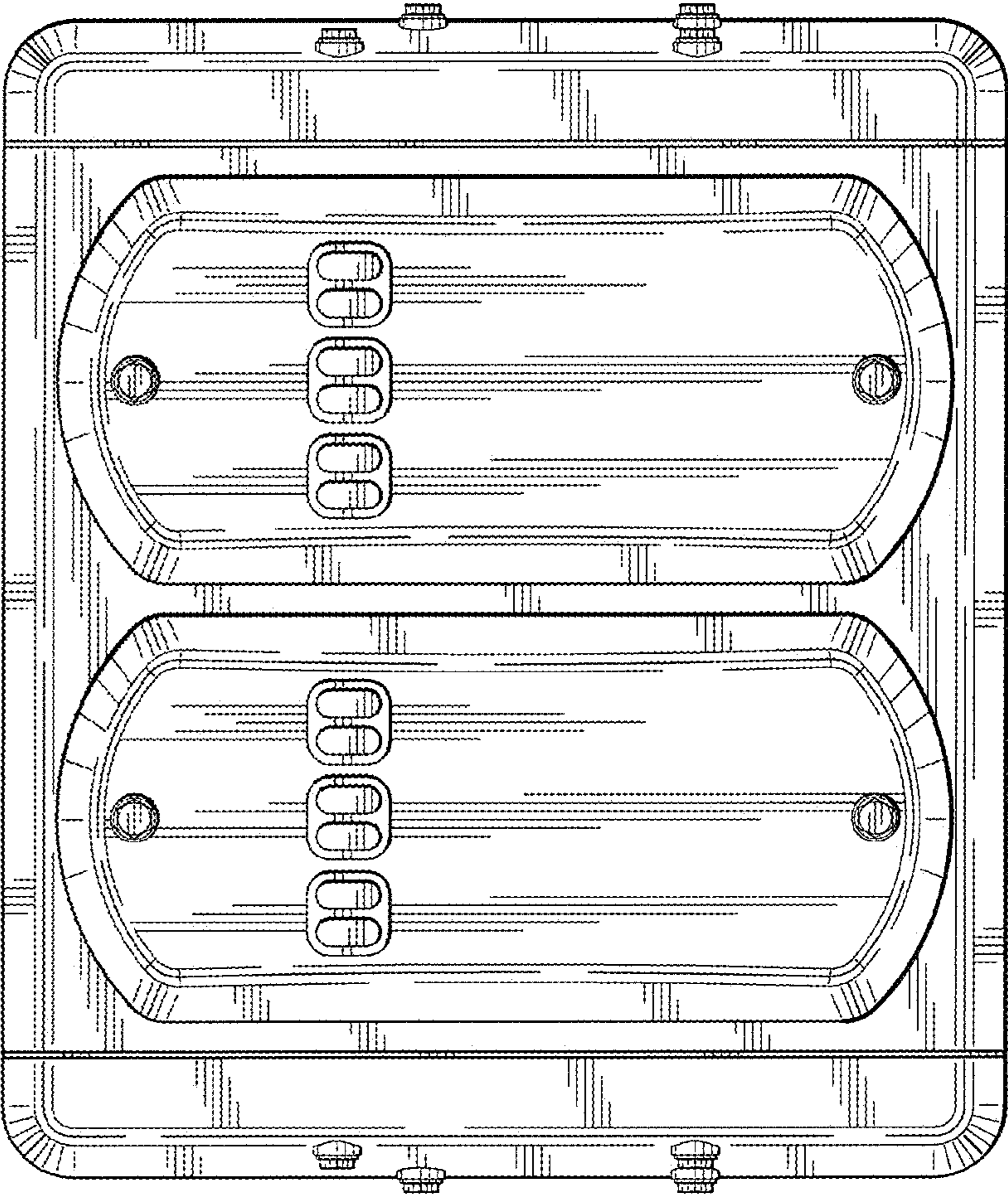


FIG. 5

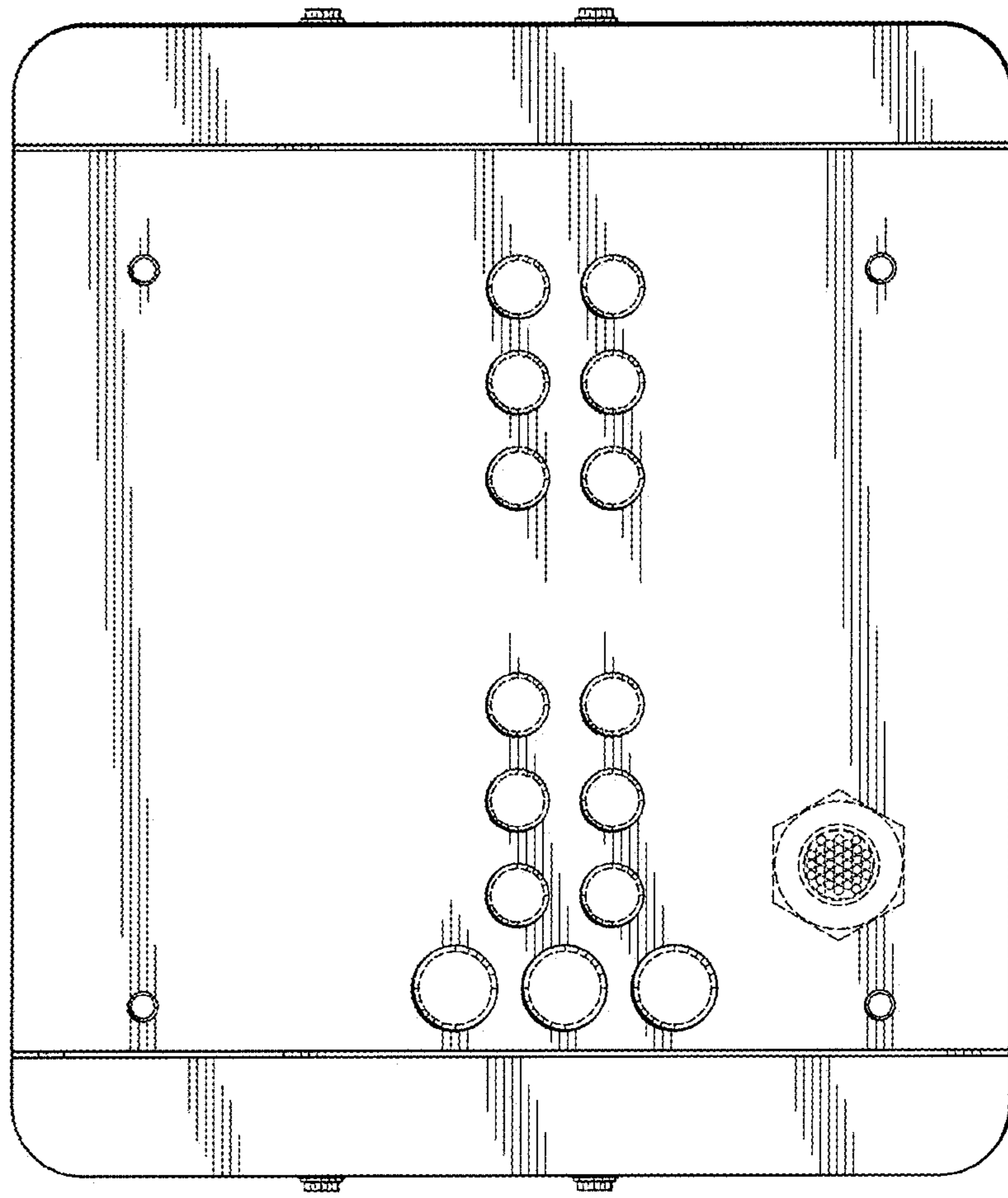


FIG. 6

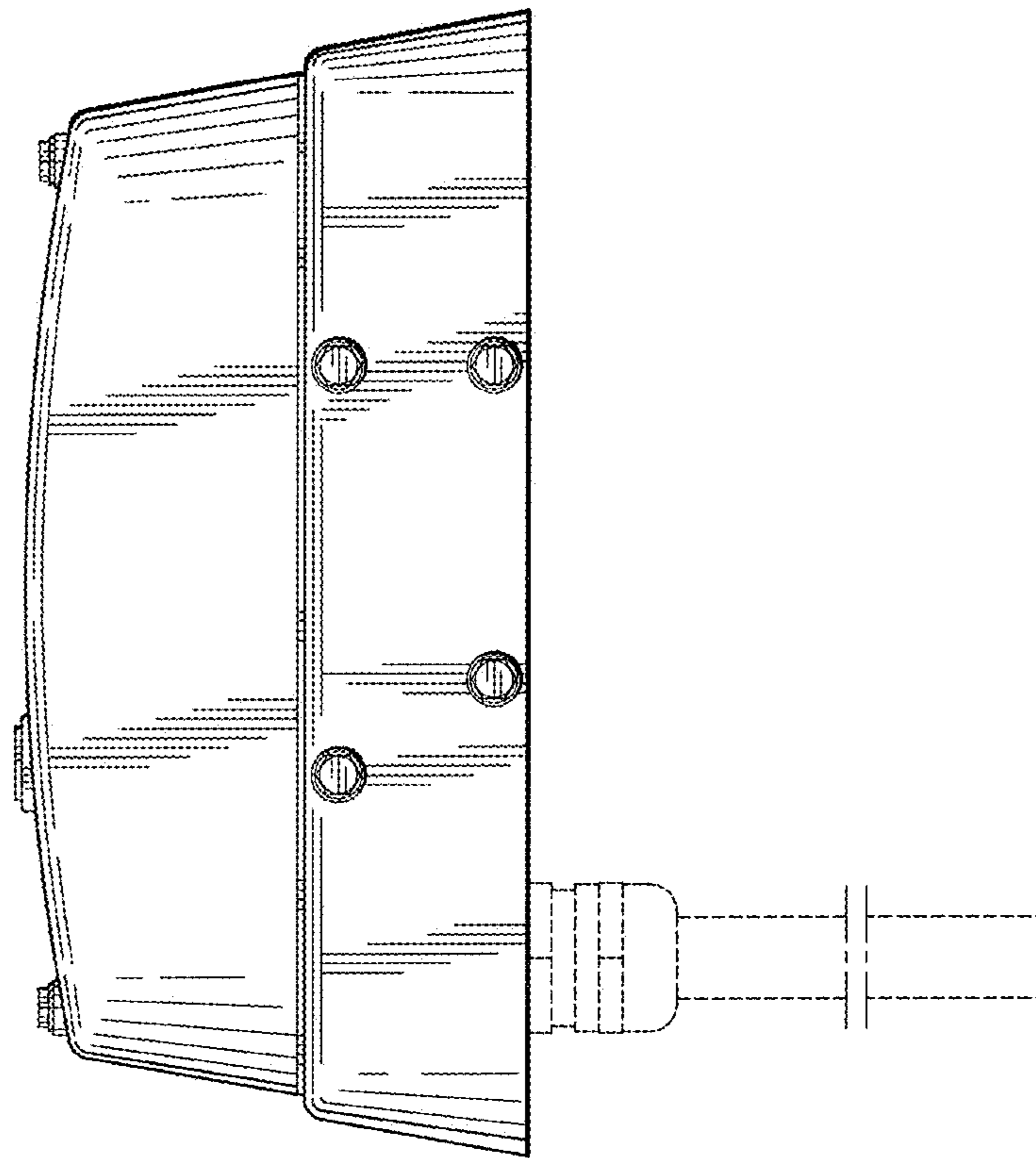


FIG. 7