



US00D827775S

(12) **United States Design Patent**
Schneider

(10) **Patent No.:** **US D827,775 S**
(45) **Date of Patent:** **** Sep. 4, 2018**

- (54) **FOAM SPRAYER**
- (71) Applicant: **SMART, INC.**, Gardena, CA (US)
- (72) Inventor: **Paul Schneider**, Gardena, CA (US)
- (73) Assignee: **SMART, INC.**, Gardena, CA (US)
- (**) Term: **15 Years**
- (21) Appl. No.: **29/615,680**
- (22) Filed: **Aug. 30, 2017**
- (51) **LOC (11) Cl.** **23-01**
- (52) **U.S. Cl.**
USPC **D23/225**
- (58) **Field of Classification Search**
USPC D23/213, 225, 202; 239/152–154, 337,
239/373, 302, 308, 312, 317, 343; D8/2;
43/129; 169/15
CPC B05B 9/08; B05B 9/0816; B05B 7/2443;
B05B 7/2408; B05B 7/2421
See application file for complete search history.

- 7,322,534 B2 * 1/2008 Bartsch B01J 47/026
239/302
- 7,661,604 B1 * 2/2010 MacLean-Blevins
B05B 1/3026
222/566
- D675,713 S * 2/2013 Christensen B05B 1/3026
D23/225
- D698,007 S * 1/2014 Tullney B05B 3/06
D23/225
- D709,988 S * 7/2014 Ford B01J 47/026
D23/213
- 8,857,737 B2 * 10/2014 Chen B05B 3/06
239/302
- D760,870 S * 7/2016 Popek B01F 3/04446
D23/225
- 9,919,347 B2 * 3/2018 Haworth B05B 15/30

* cited by examiner

Primary Examiner — Robin Valery Webster
(74) *Attorney, Agent, or Firm* — Hackler Daghighian
Martino & Novak

(57) **CLAIM**

The ornamental design for a foam sprayer, as shown and described.

(56) **References Cited**

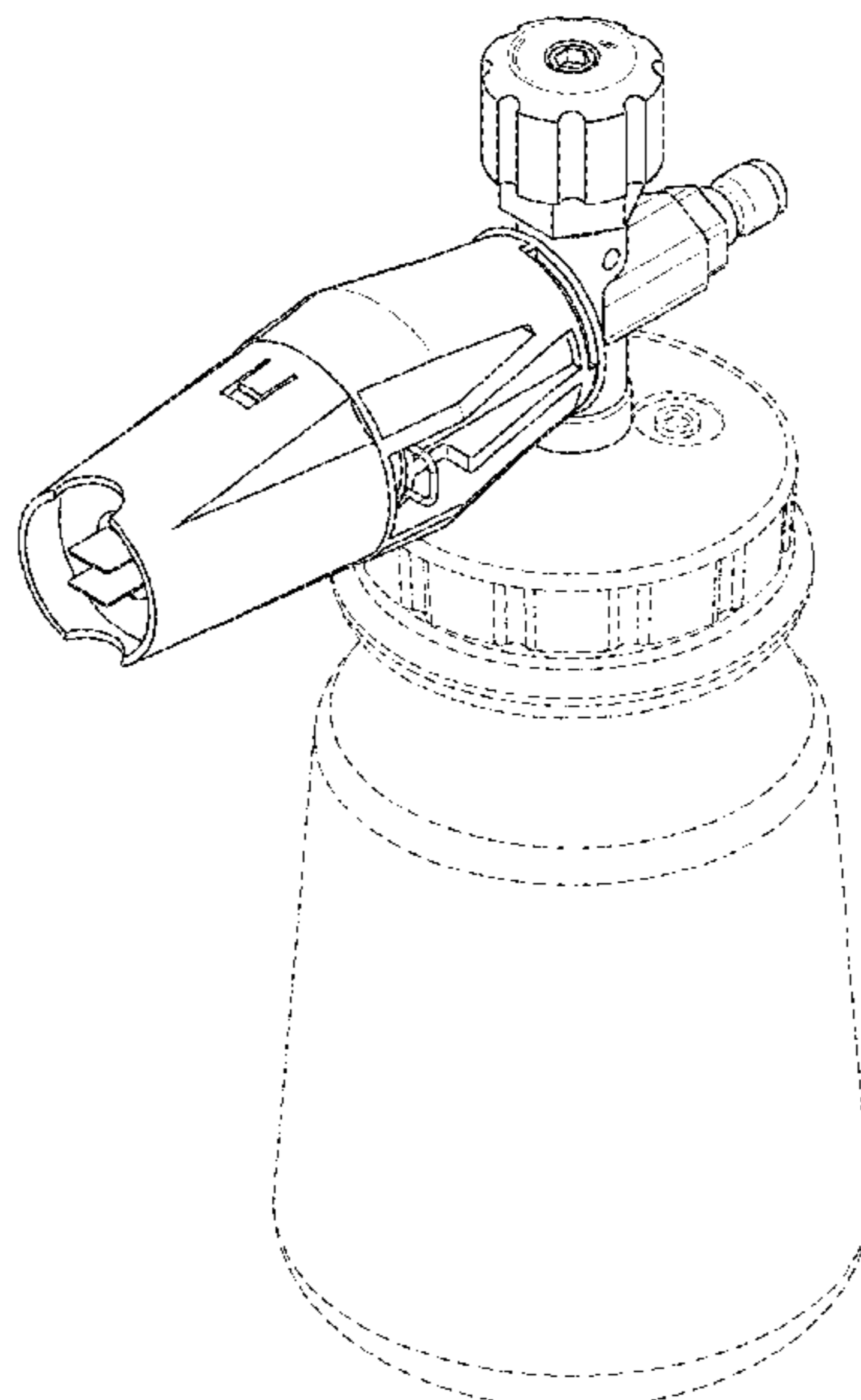
U.S. PATENT DOCUMENTS

- 2,119,906 A * 6/1938 Dorman A47J 43/121
239/343
- 2,323,618 A * 7/1943 Ottoson A01M 7/0092
137/564.5
- 2,511,420 A * 6/1950 Thompson B01F 3/04446
15/322
- D251,793 S * 5/1979 DeGelder D23/225
- D289,675 S * 5/1987 Beal D23/225
- D328,779 S * 8/1992 Albers D23/225
- 5,445,226 A * 8/1995 Scott A62C 31/12
169/15
- D466,584 S * 12/2002 Hubmann D23/213
- D474,256 S * 5/2003 Hubmann D23/213
- D509,560 S * 9/2005 Hubmann D23/213
- D537,915 S * 3/2007 Hubmann D23/213

DESCRIPTION

FIG. 1 is a front perspective view of a foam sprayer showing my new design;
FIG. 2 is a left side view thereof;
FIG. 3 is a right side view thereof;
FIG. 4 is a front view thereof;
FIG. 5 is a back view thereof;
FIG. 6 is a top view thereof; and,
FIG. 7 is a bottom view thereof.
The broken lines depict portions of the foam sprayer in which the design is embodied that form no part of the claimed design. All surfaces and all sides not shown form no part of the claimed design.

1 Claim, 5 Drawing Sheets



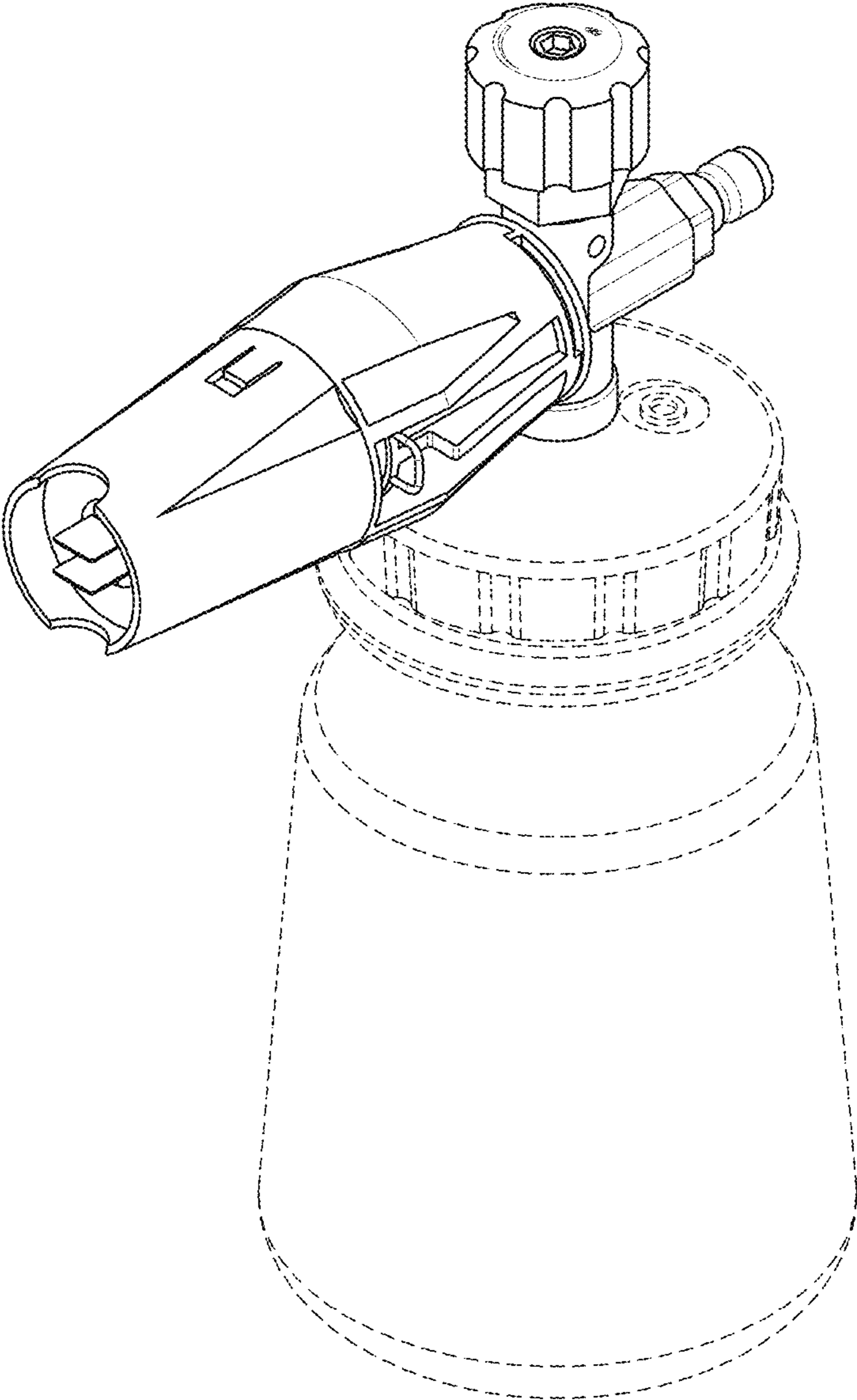


FIG. 1

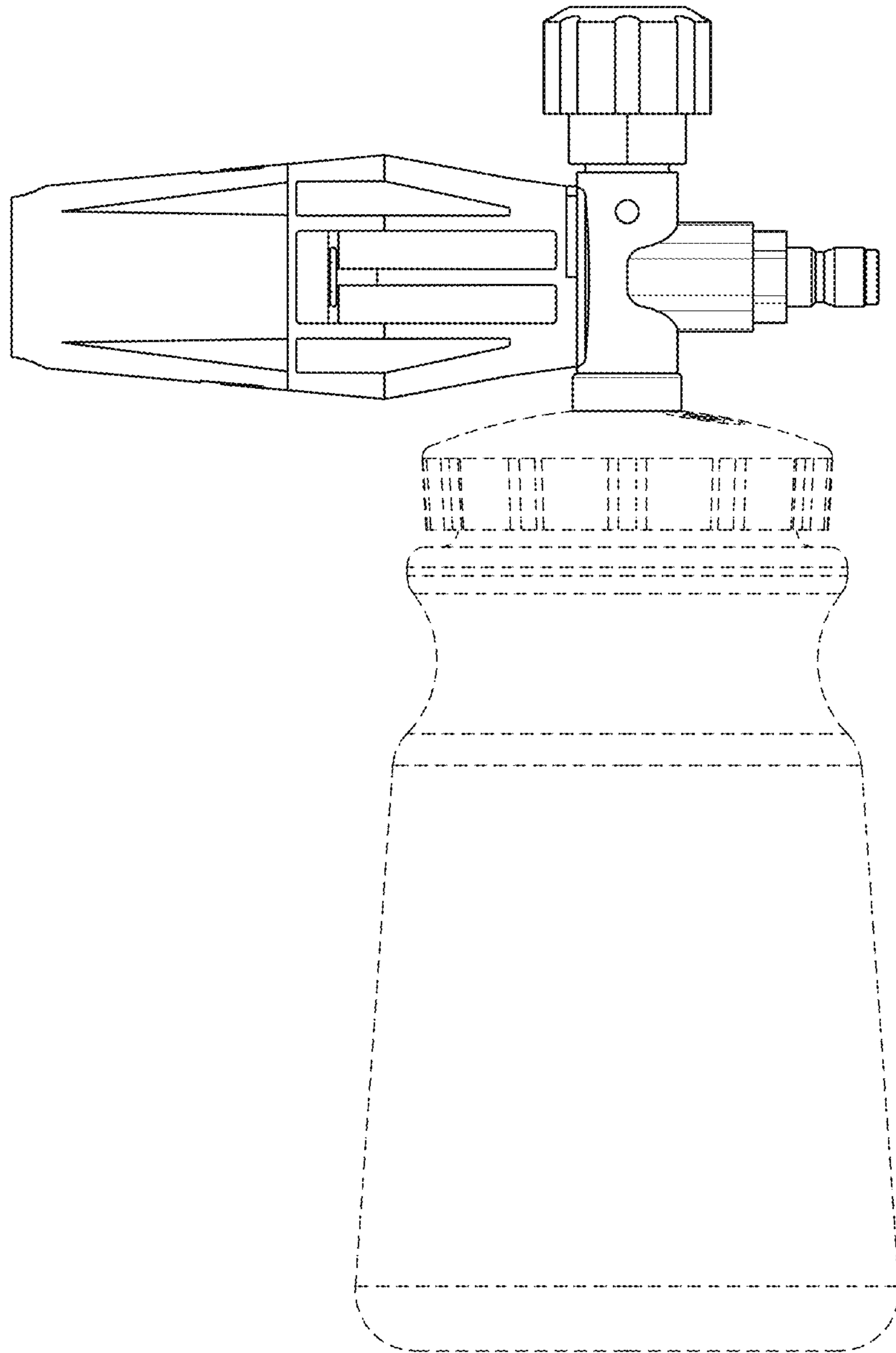


FIG. 2

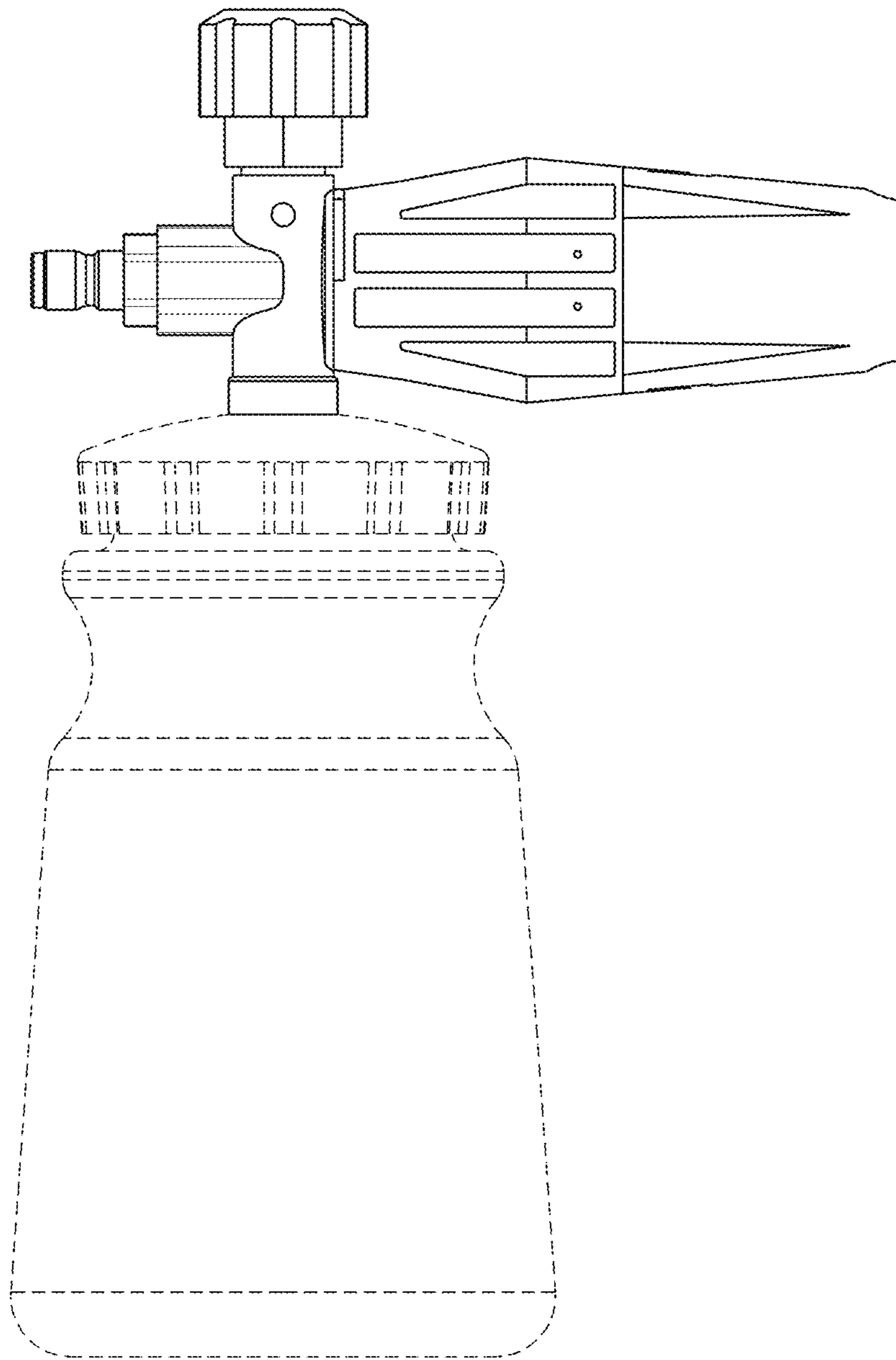


FIG. 3

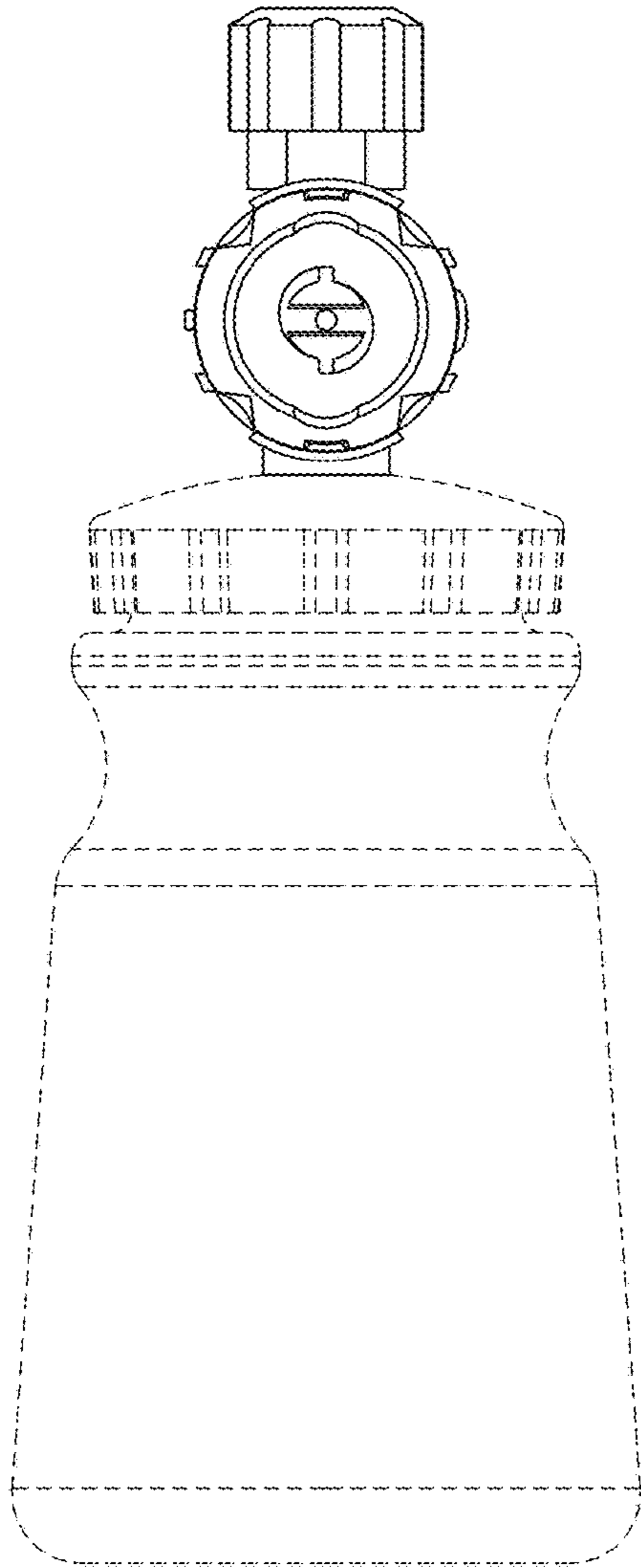


FIG. 4

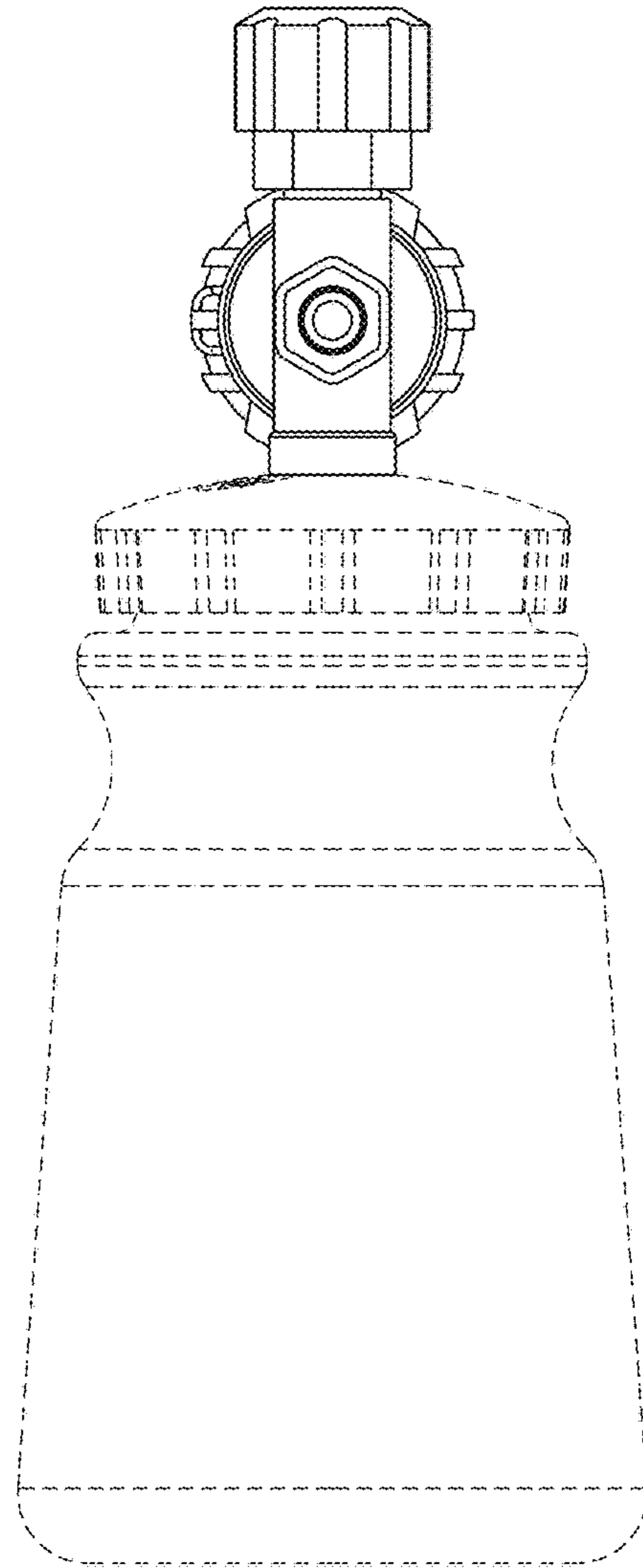


FIG. 5

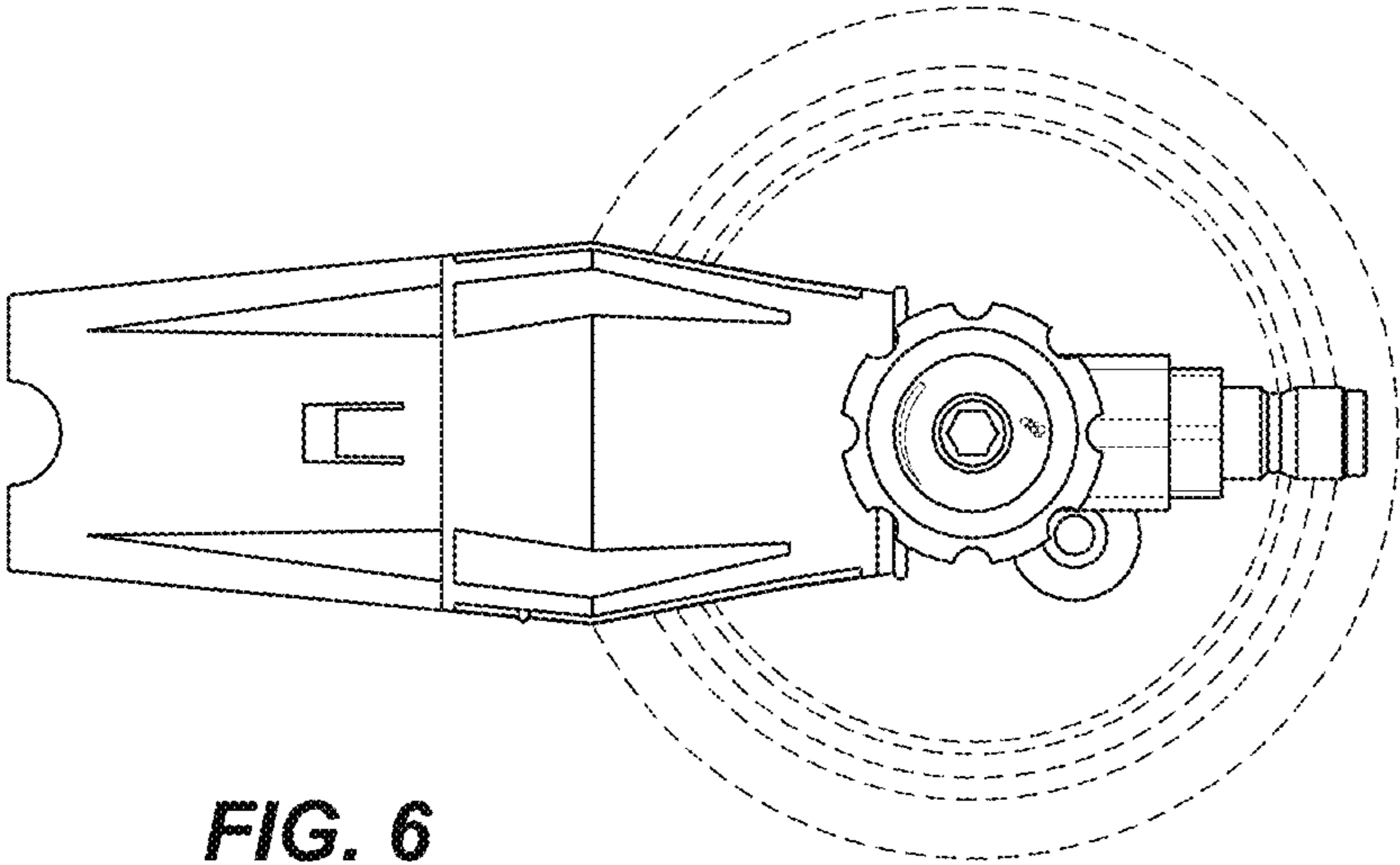


FIG. 6

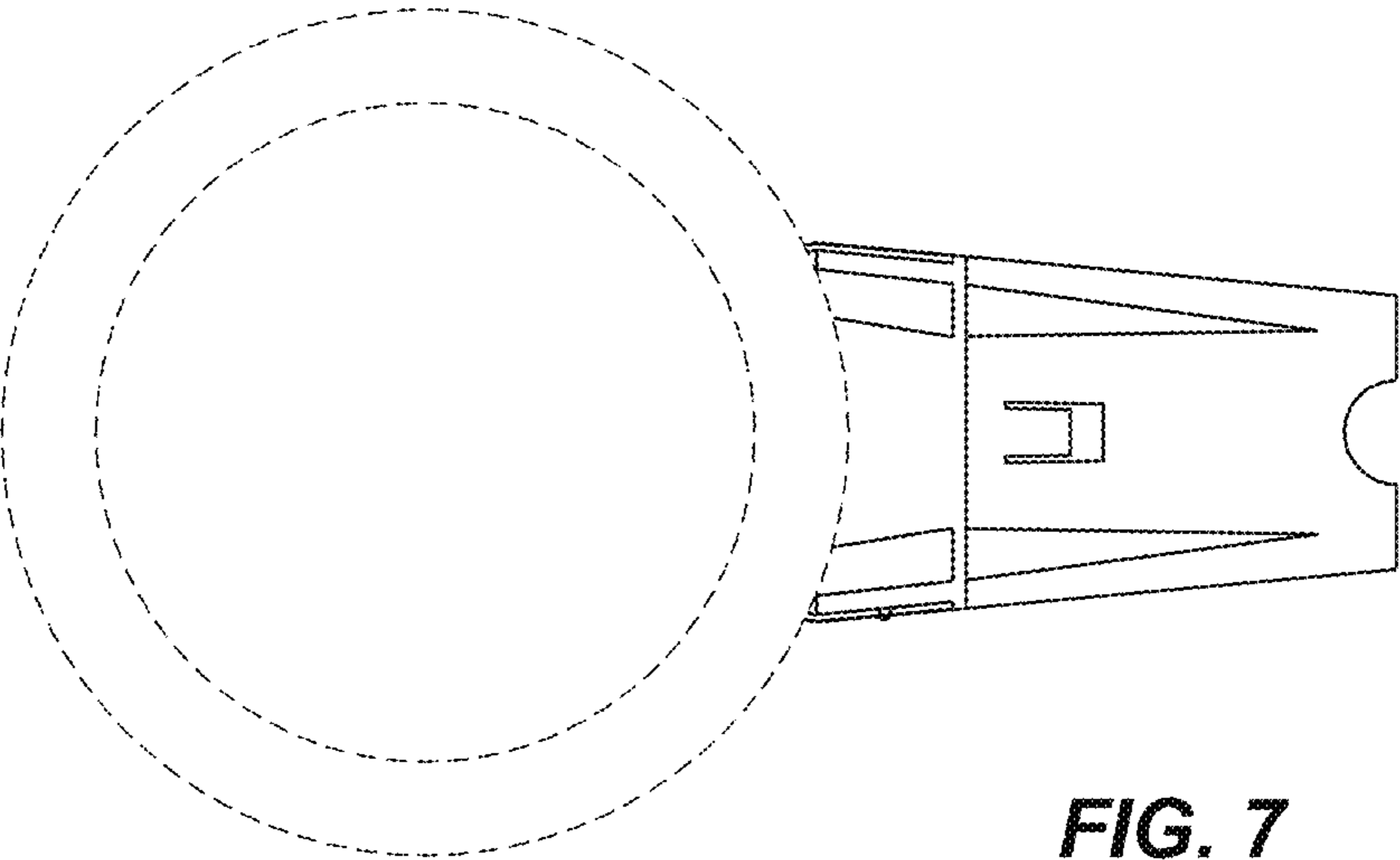


FIG. 7