

US00D82774S

(12) **United States Design Patent**
Schneider

(10) **Patent No.:** **US D827,774 S**

(45) **Date of Patent:** **** Sep. 4, 2018**

(54) **FOAM SPRAYER**

(71) Applicant: **SMART, INC.**, Gardena, CA (US)

(72) Inventor: **Paul Schneider**, Gardena, CA (US)

(73) Assignee: **SMART, INC.**, Gardena, CA (US)

(**) Term: **15 Years**

(21) Appl. No.: **29/615,656**

(22) Filed: **Aug. 30, 2017**

(51) **LOC (11) Cl.** **23-01**

(52) **U.S. Cl.**
USPC **D23/225**

(58) **Field of Classification Search**
USPC D23/213, 225, 202; 239/152-154, 337,
239/373, 302, 308, 312, 317, 343; D8/2;
43/129; 169/15
CPC B05B 9/08; B05B 9/0816; B05B 7/2443;
B05B 7/2408; B05B 7/2421
See application file for complete search history.

(56) **References Cited**

U.S. PATENT DOCUMENTS

D309,858 S * 8/1990 Meyersburg D23/225
D324,722 S * 3/1992 Nordeen D23/225
D349,558 S * 8/1994 Albers D23/225

D484,571 S * 12/2003 Neal D23/225
D615,614 S * 5/2010 Tullney D23/225
D675,713 S * 2/2013 Christensen D23/225
D700,948 S * 3/2014 McGiveron D23/202
D780,291 S * 2/2017 Schrum D23/225

* cited by examiner

Primary Examiner — Robin Valery Webster

(74) *Attorney, Agent, or Firm* — Hackler Daghighian
Martino & Novak

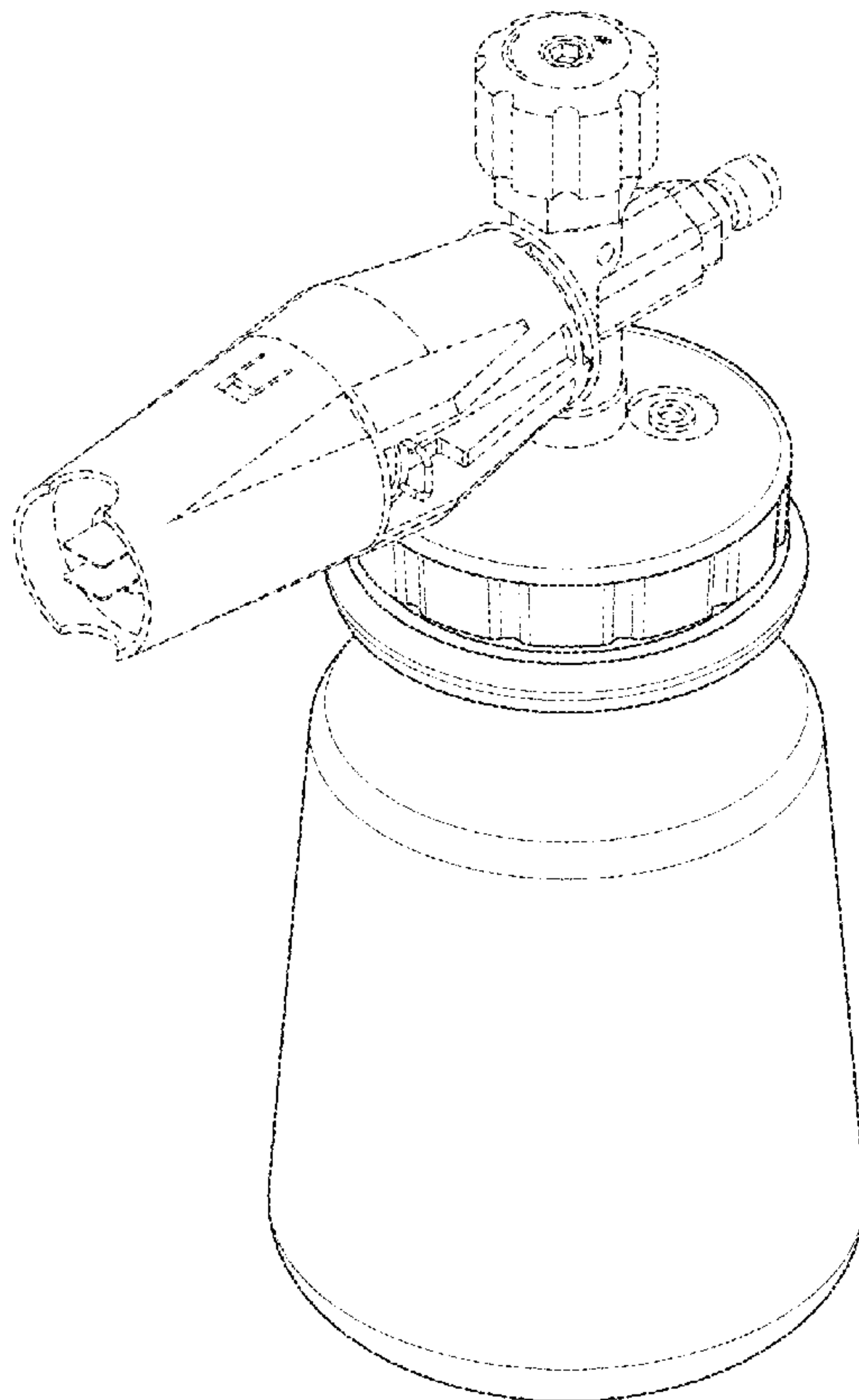
(57) **CLAIM**

The ornamental design for a foam sprayer, as shown and described.

DESCRIPTION

FIG. 1 is a front perspective view of a foam sprayer showing my new design;
FIG. 2 is a left side view thereof;
FIG. 3 is a right side view thereof;
FIG. 4 is a front view thereof;
FIG. 5 is a back view thereof;
FIG. 6 is a top view thereof; and,
FIG. 7 is a bottom view thereof.
The broken lines depict portions of the foam sprayer in which the design is embodied that form no part of the claimed design. All surfaces and all sides not shown form no part of the claimed design.

1 Claim, 5 Drawing Sheets



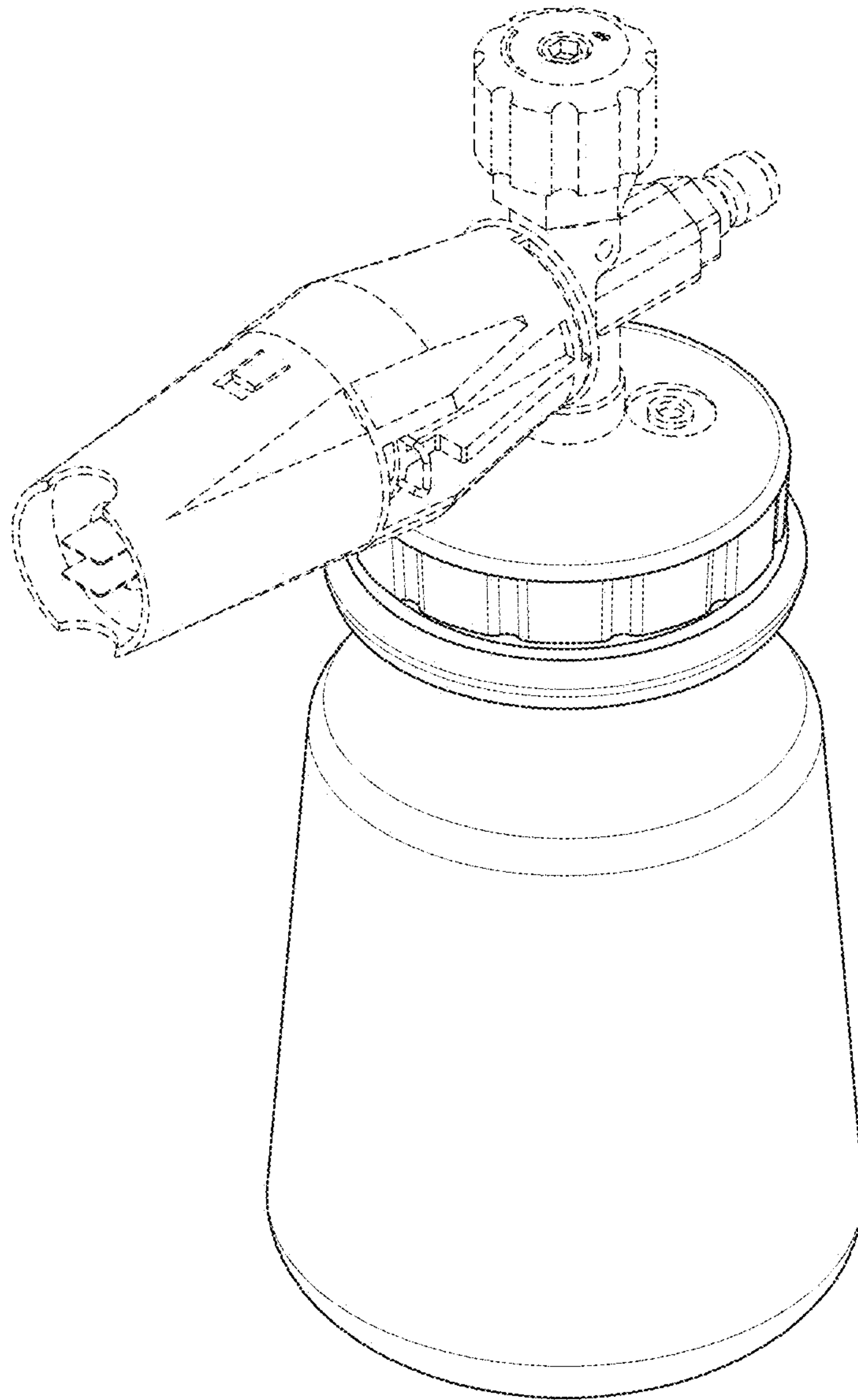


FIG. 1

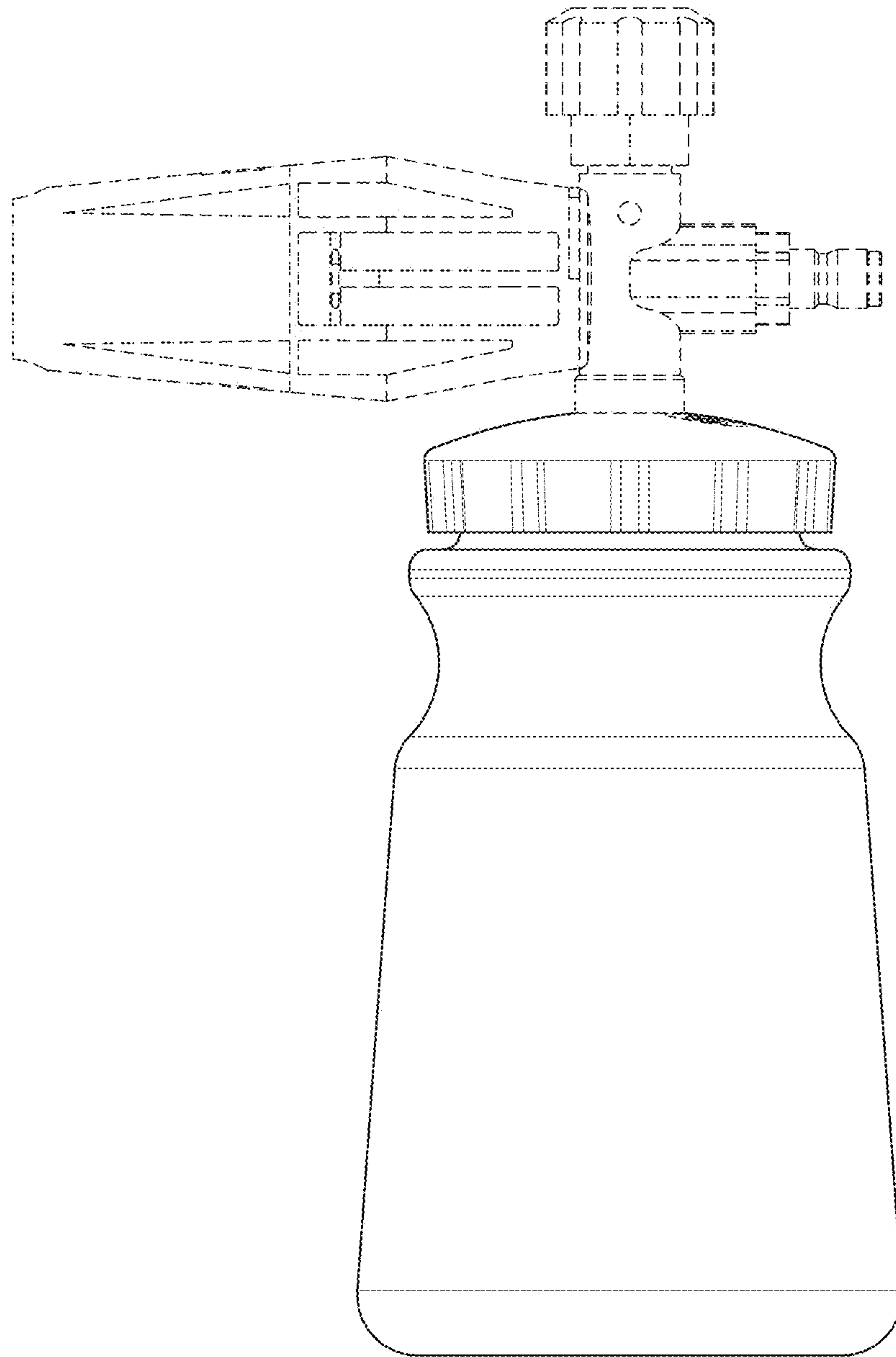


FIG. 2

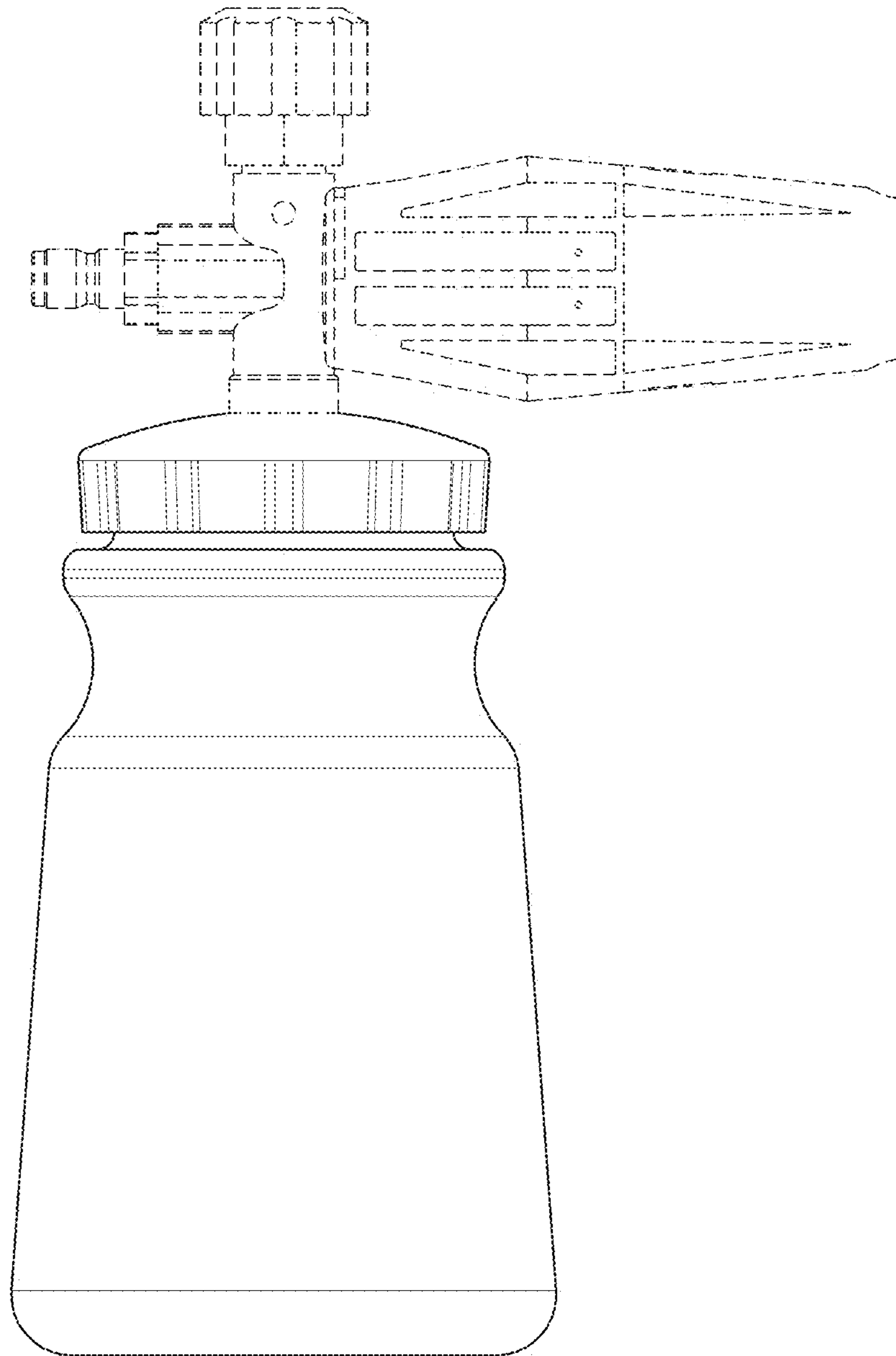


FIG. 3

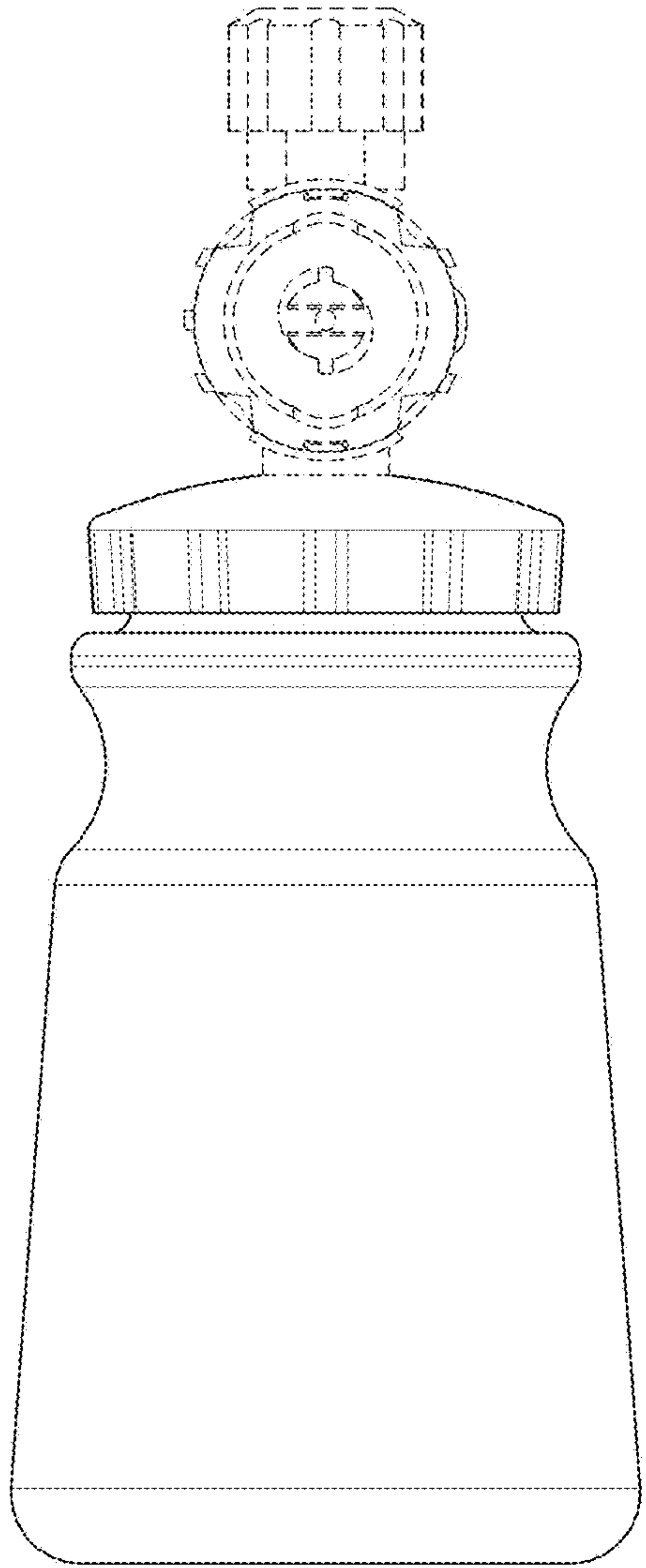


FIG. 4

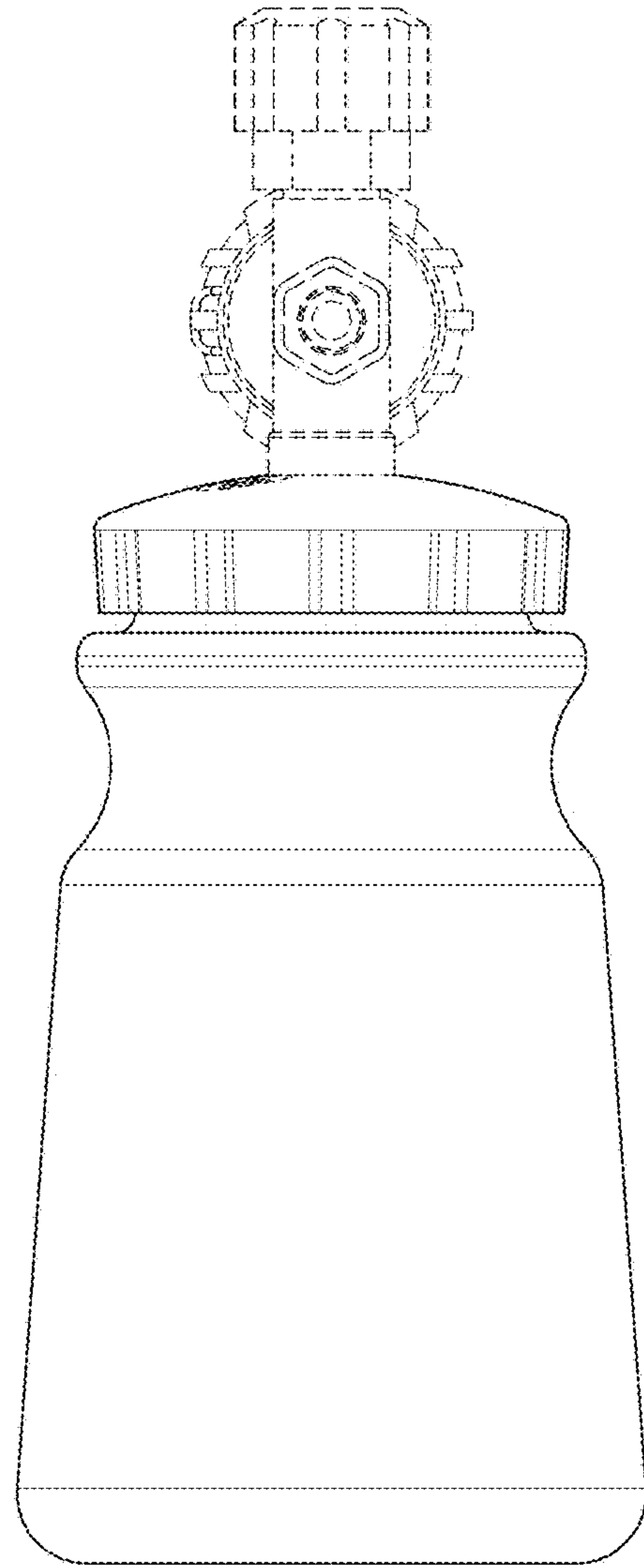


FIG. 5

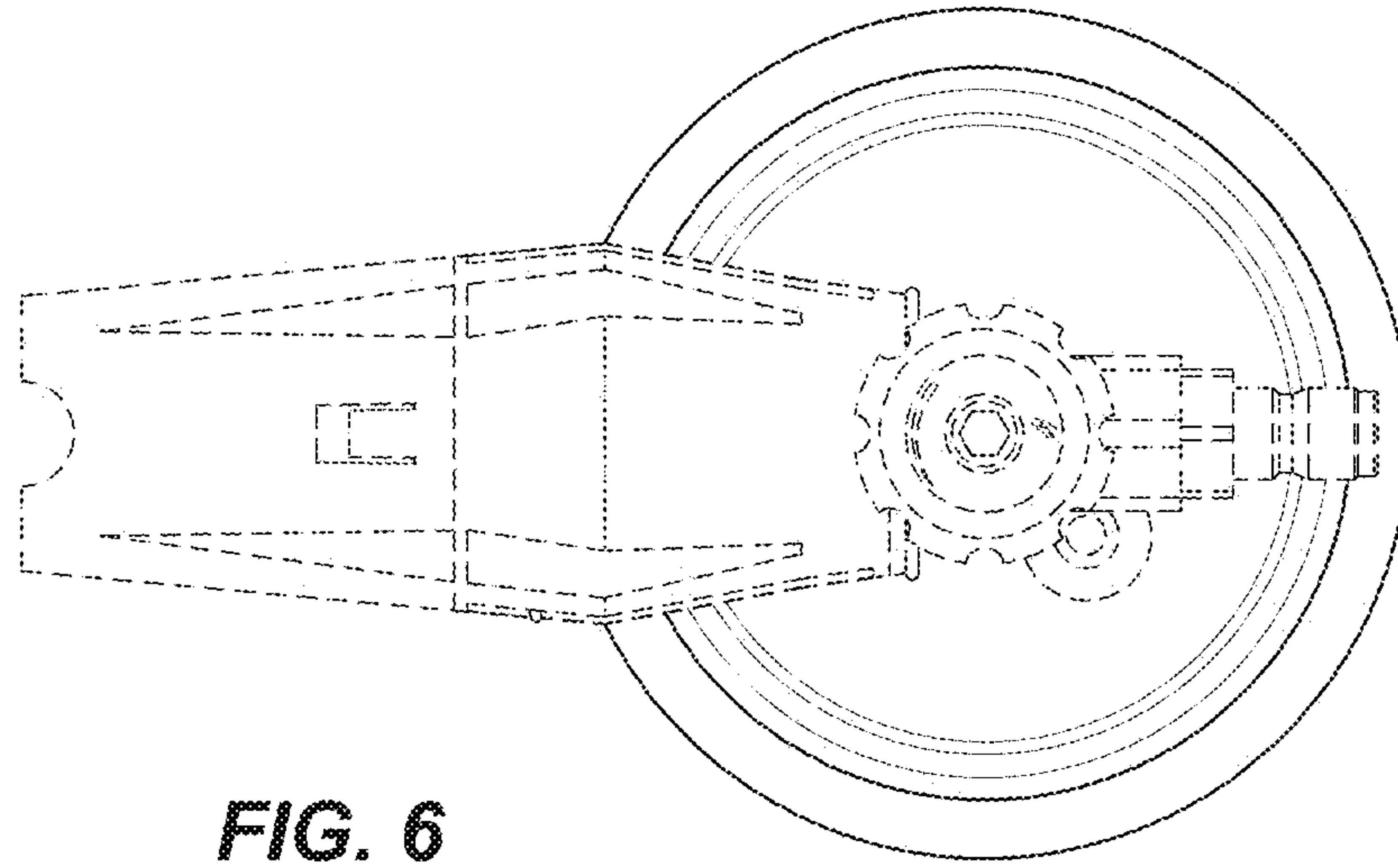


FIG. 6

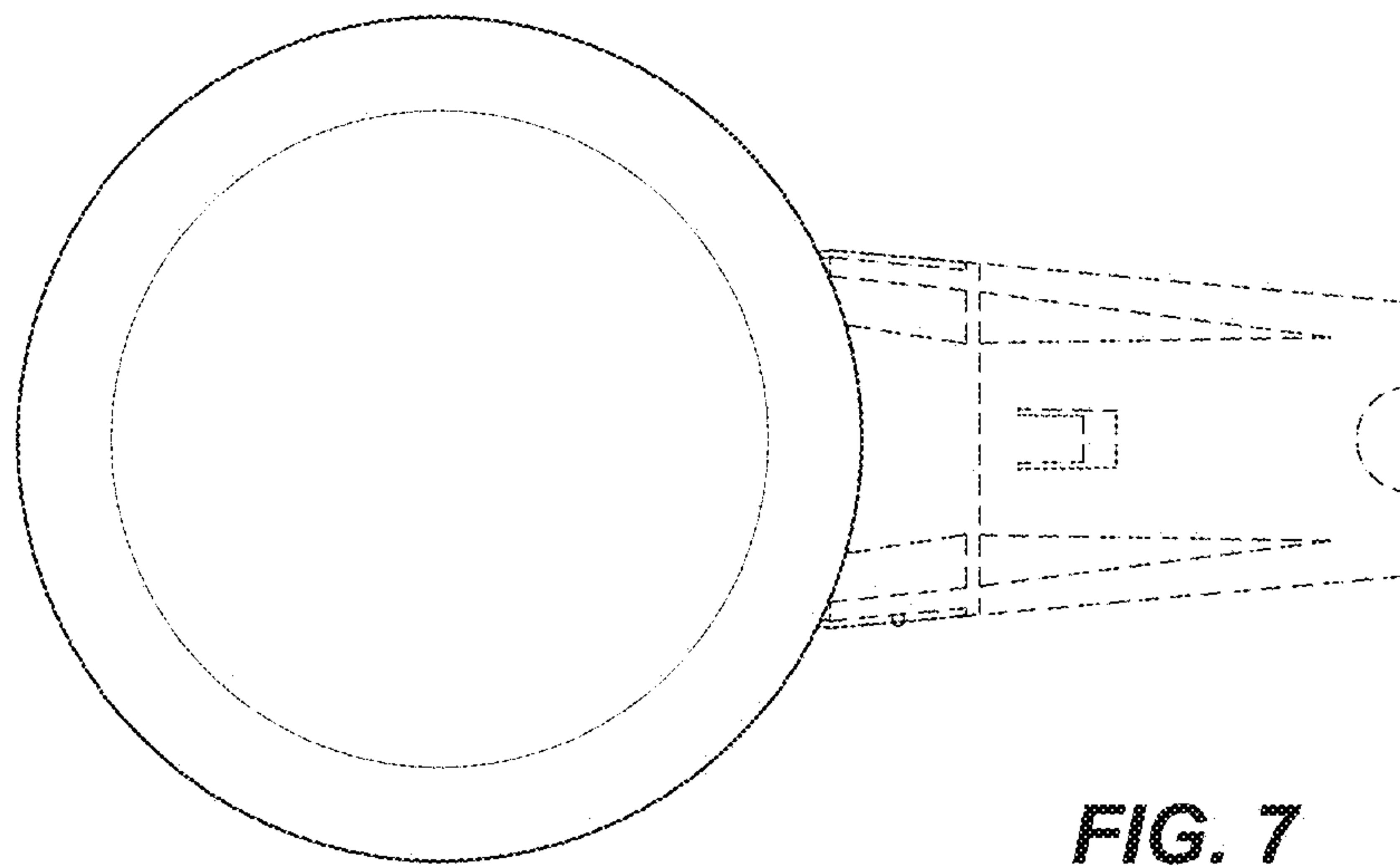


FIG. 7