



US00D827773S

(12) **United States Design Patent**
Schneider

(10) **Patent No.:** **US D827,773 S**

(45) **Date of Patent:** **** Sep. 4, 2018**

- (54) **FOAM SPRAYER**
- (71) Applicant: **SMART, INC.**, Gardena, CA (US)
- (72) Inventor: **Paul Schneider**, Gardena, CA (US)
- (73) Assignee: **SMART, INC.**, Gardena, CA (US)
- (**) Term: **15 Years**
- (21) Appl. No.: **29/615,635**
- (22) Filed: **Aug. 30, 2017**
- (51) **LOC (11) Cl.** **23-01**
- (52) **U.S. Cl.**
USPC **D23/225**
- (58) **Field of Classification Search**
USPC D23/213, 225, 202; 239/152–154, 337,
239/373, 302, 308, 312, 317, 343; D8/2;
43/129; 169/15
CPC B05B 9/08; B05B 9/0816; B05B 7/2443;
B05B 7/2408; B05B 7/2421
See application file for complete search history.

- D537,915 S * 3/2007 Hubmann D23/213
- 7,322,534 B2 * 1/2008 Bartsch B01J 47/026
239/302
- 7,661,604 B1 * 2/2010 MacLean-Blevins
B05B 1/3026
222/566
- D675,713 S * 2/2013 Christensen B05B 1/3026
D23/225
- D698,007 S * 1/2014 Tullney B05B 3/06
D23/225
- D709,988 S * 7/2014 Ford B01J 47/026
D23/213
- 8,857,737 B2 * 10/2014 Chen B05B 3/06
239/302
- D760,870 S * 7/2016 Popek B01F 3/04446
D23/225
- 9,919,347 B2 * 3/2018 Haworth B05B 15/30

* cited by examiner

Primary Examiner — Robin Valery Webster
(74) *Attorney, Agent, or Firm* — Hackler Daghighian
Martino & Novak

(57) **CLAIM**

The ornamental design for a foam sprayer, as shown and described.

(56) **References Cited**

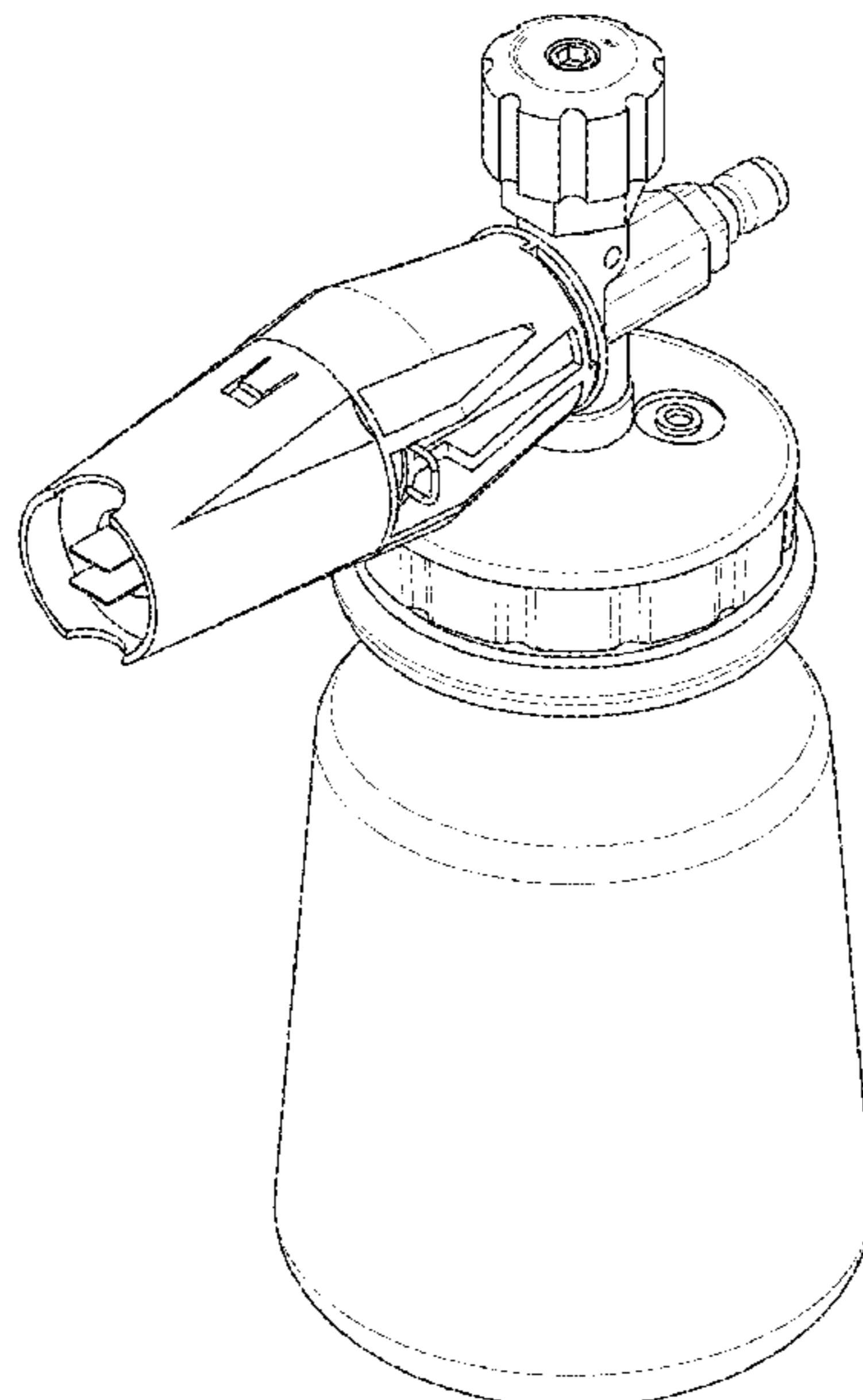
U.S. PATENT DOCUMENTS

- 2,119,906 A * 6/1938 Dorman A47J 43/121
239/343
- 2,323,618 A * 7/1943 Ottoson A01M 7/0092
137/564.5
- 2,511,420 A * 6/1950 Thompson B01F 3/04446
15/322
- D251,793 S * 5/1979 DeGelder D23/225
- D289,675 S * 5/1987 Beal D23/225
- D328,779 S * 8/1992 Albers D23/225
- 5,445,226 A * 8/1995 Scott A62C 31/12
169/15
- D466,584 S * 12/2002 Hubmann D23/213
- D474,256 S * 5/2003 Hubmann D23/213
- D509,560 S * 9/2005 Hubmann D23/213

DESCRIPTION

FIG. 1 is a front perspective view of a foam sprayer showing my new design;
FIG. 2 is a left side view thereof;
FIG. 3 is a right side view thereof;
FIG. 4 is a front view thereof;
FIG. 5 is a back view thereof;
FIG. 6 is a top view thereof; and,
FIG. 7 is a bottom view thereof.
All surfaces and all sides not shown form no part of the claimed design.

1 Claim, 5 Drawing Sheets



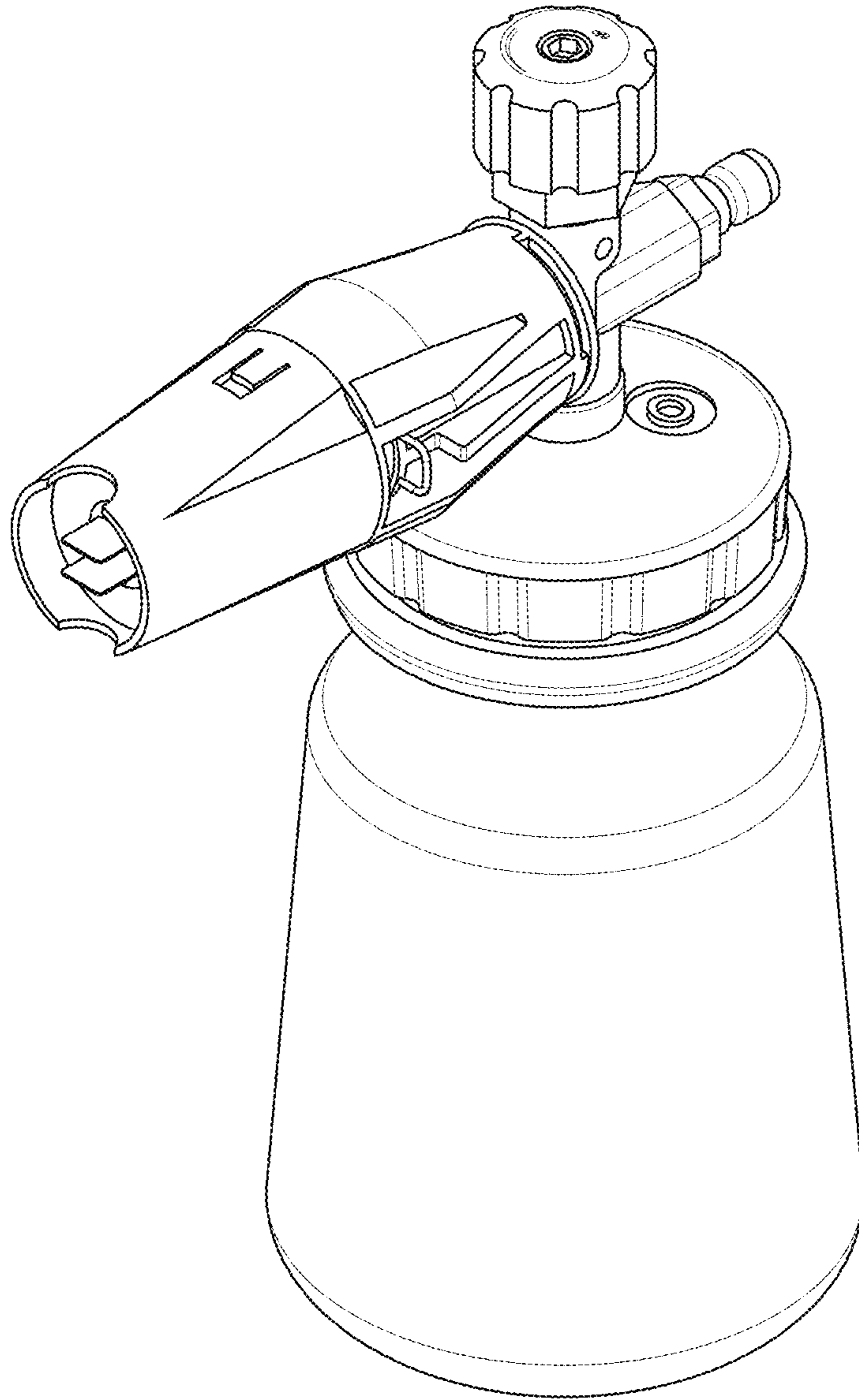


FIG. 1

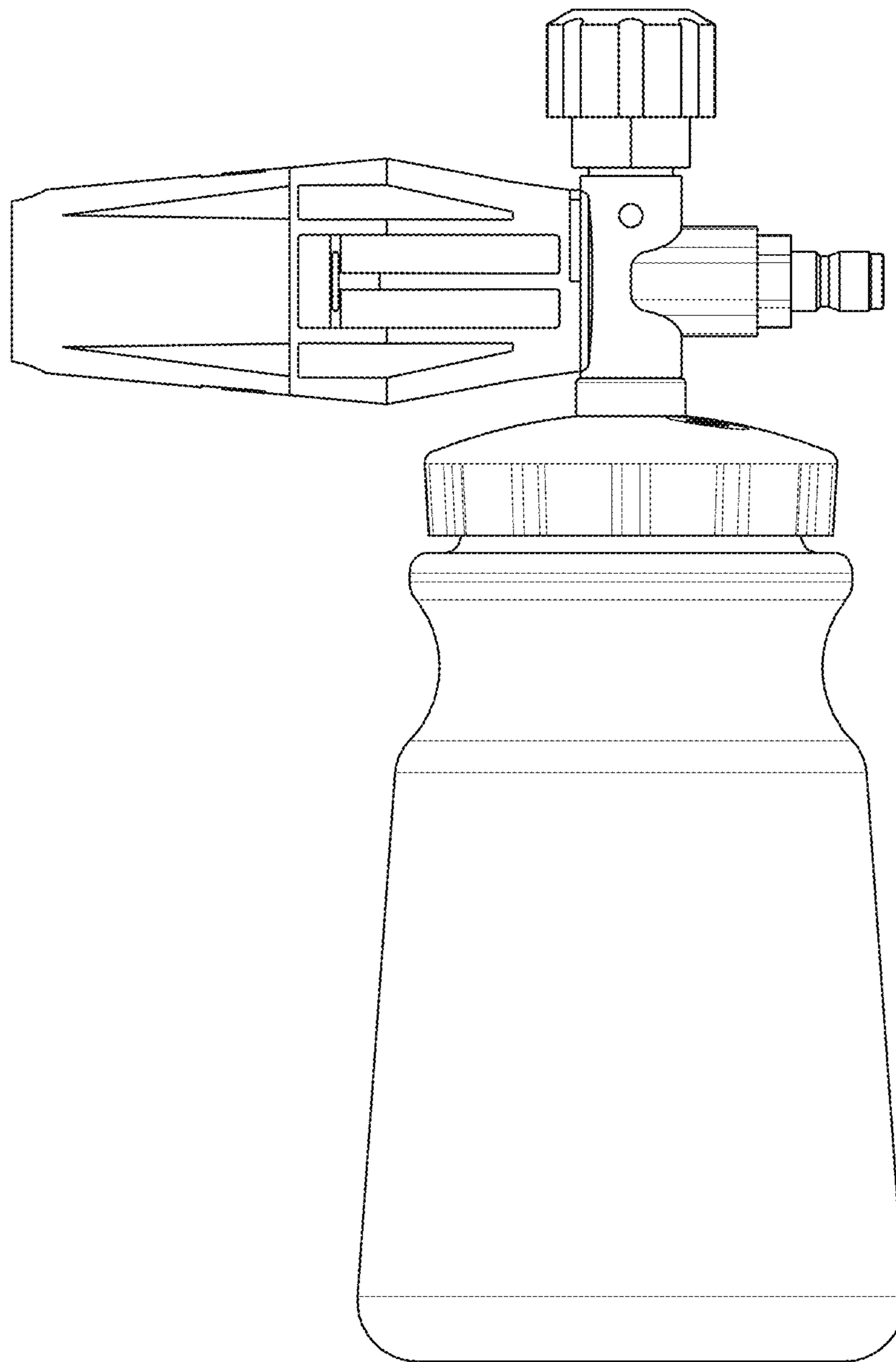


FIG. 2

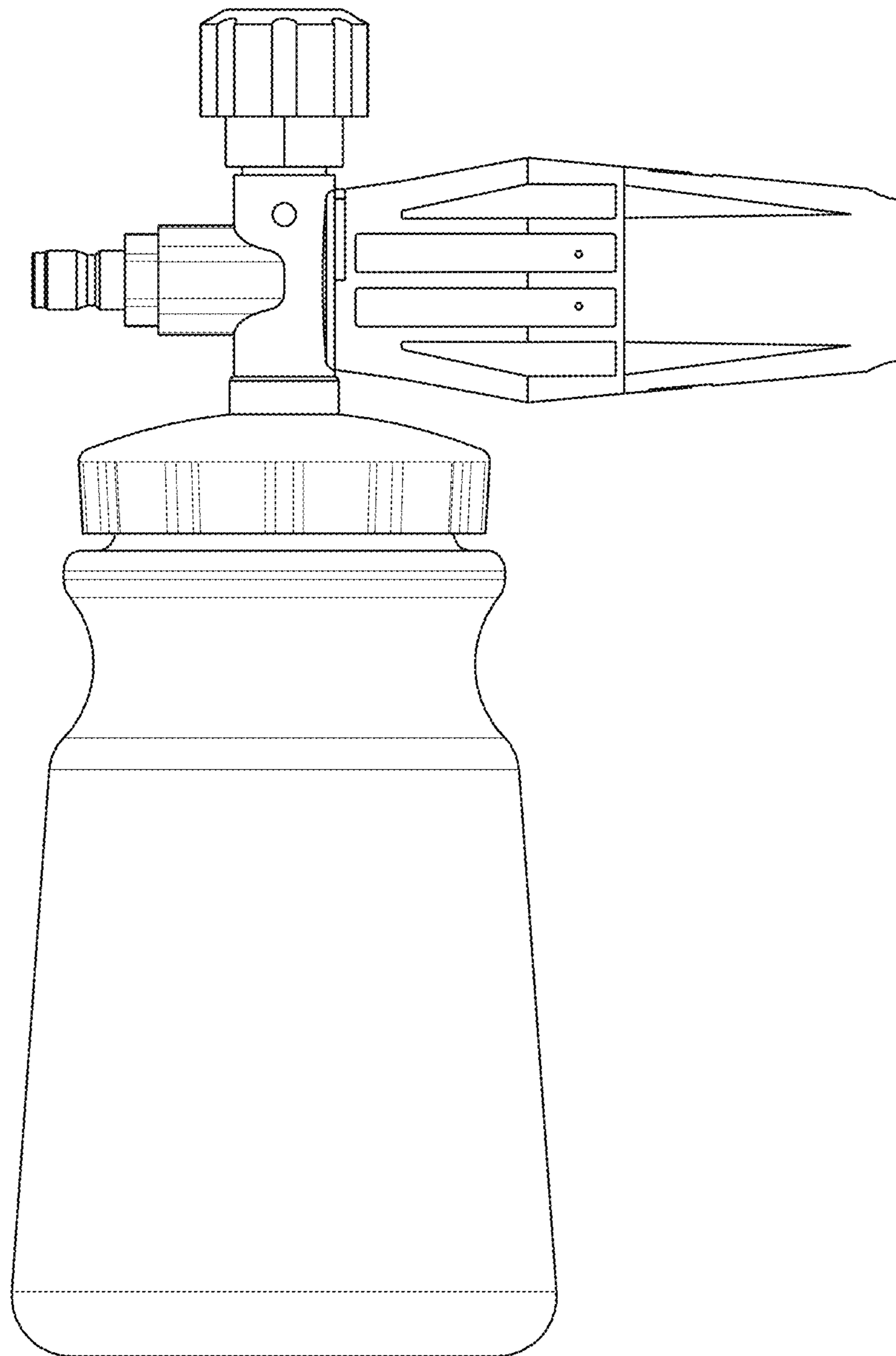


FIG. 3

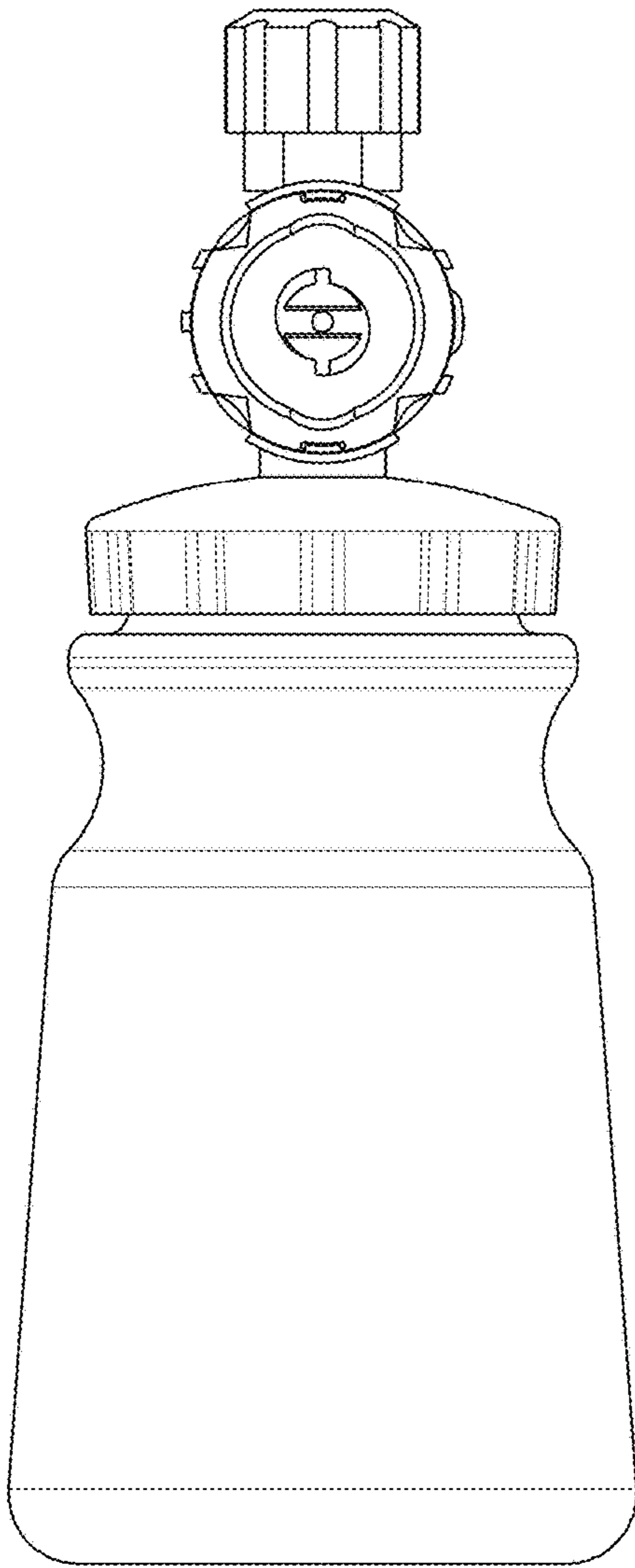


FIG. 4

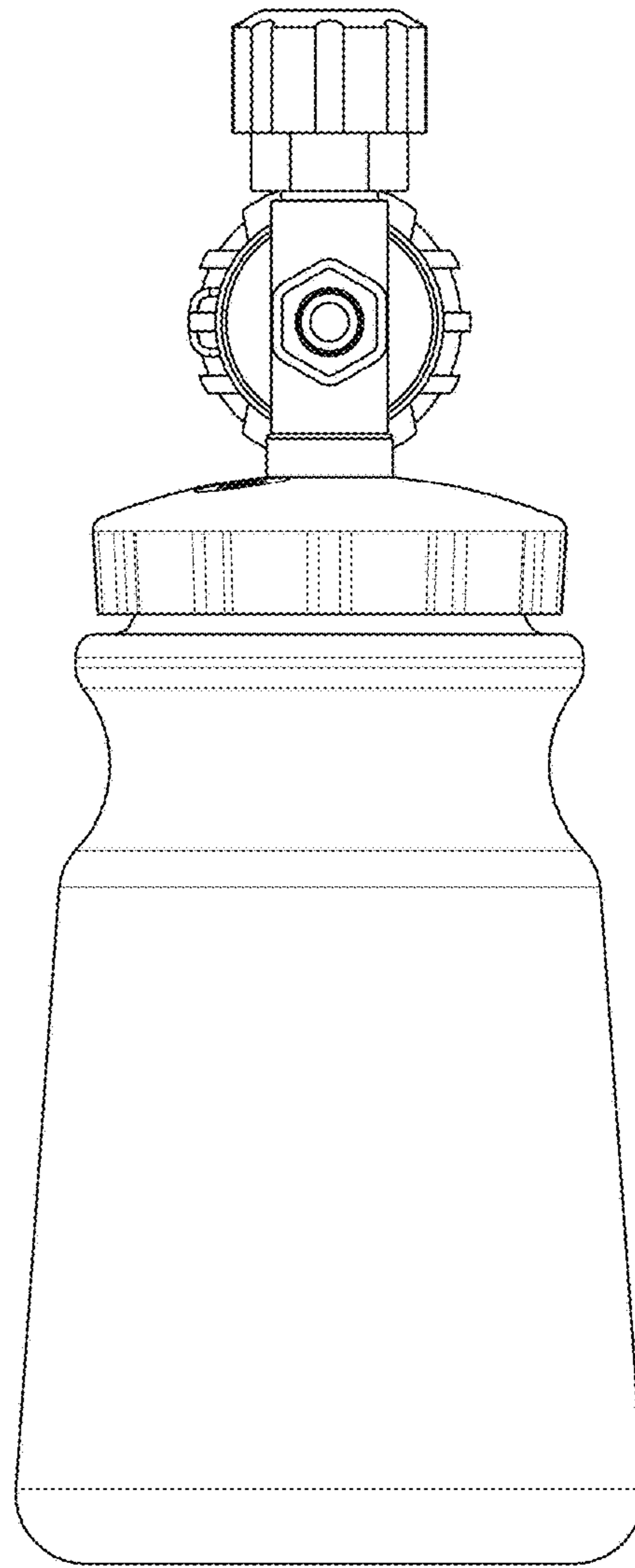


FIG. 5

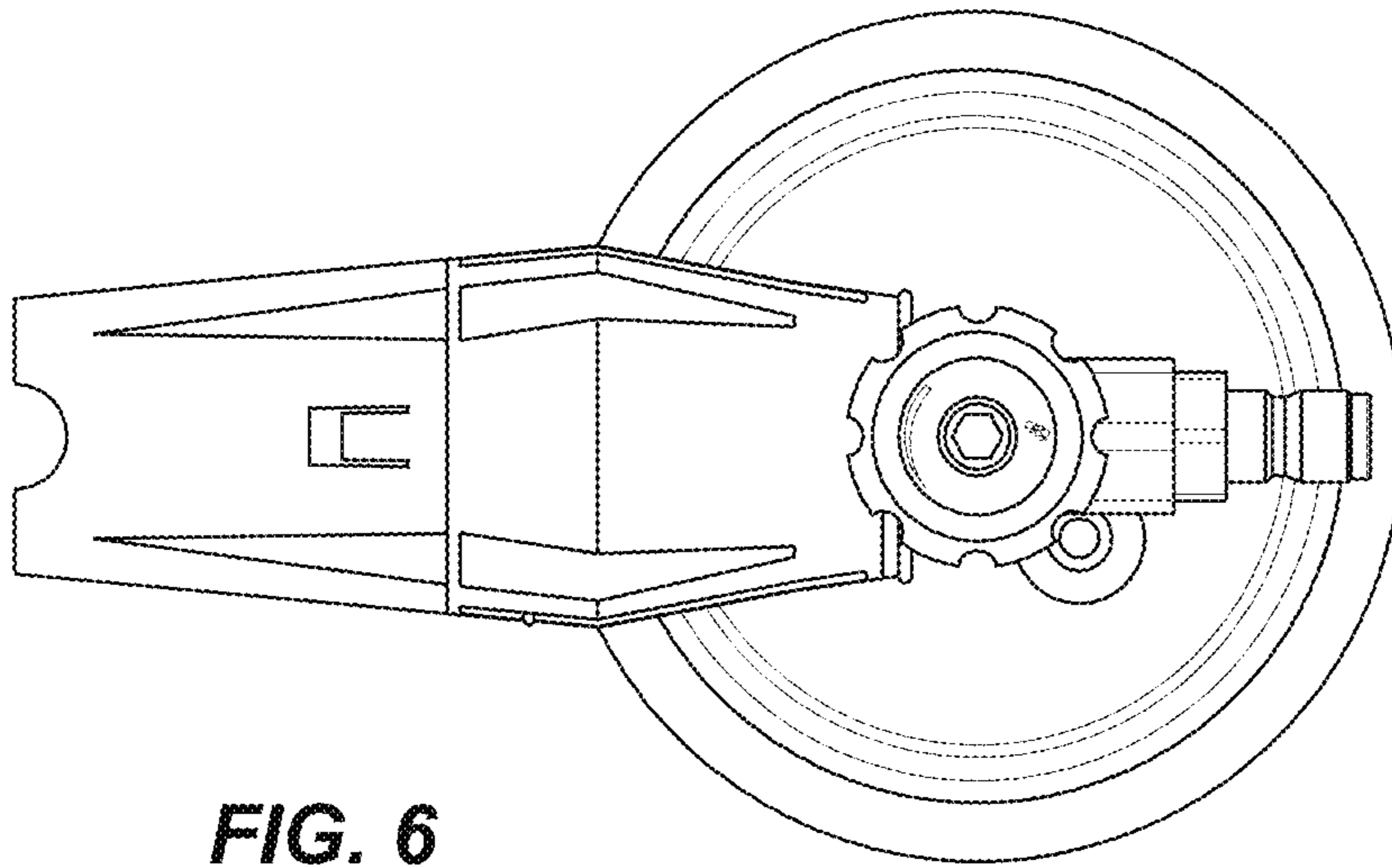


FIG. 6

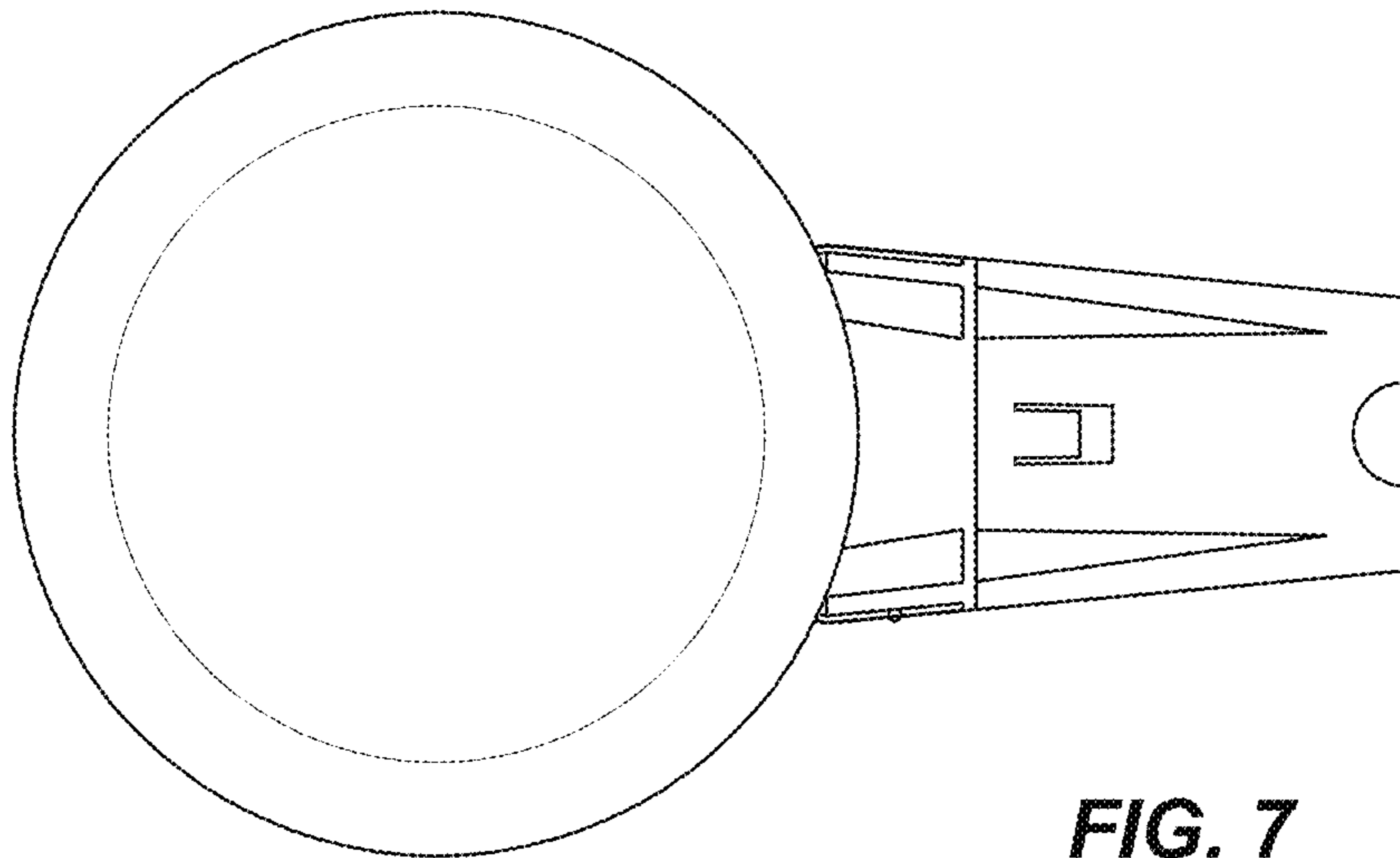


FIG. 7