

US00D827772S

(12) **United States Design Patent** (10) **Patent No.:** **US D827,772 S**
Wojan (45) **Date of Patent:** **** Sep. 4, 2018**

- | | | | |
|---------------------------------------------------------------------------------------------|--------------|---------|-------------|
| (54) HOSE NOZZLE | D469,503 S | 1/2003 | Liang |
| | D472,300 S | 3/2003 | Chen |
| (71) Applicant: Professional Tool Products, LLC,
Travelers Rest, SC (US) | D473,284 S | 4/2003 | Pong |
| | D473,286 S | 4/2003 | Bonzer |
| | 6,529,057 B2 | 7/2003 | Erickson |
| (72) Inventor: Richard Glenn Wojan, Travelers Rest,
SC (US) | D479,573 S | 9/2003 | Chen |
| | D482,428 S | 11/2003 | Fulwider |
| | 6,758,413 B1 | 7/2004 | Chen |
| | D501,913 S | 2/2005 | Chen |
| (73) Assignee: PROFESSIONAL TOOL
PRODUCTS, LLC, Travelers Rest, SC
(US) | 6,877,676 B2 | 4/2005 | Saner |
| | 7,137,575 B2 | 11/2006 | Yoneda |
| | D540,425 S | 4/2007 | Endo |
| | 7,240,858 B2 | 7/2007 | Wang |
| | D658,268 S | 4/2012 | Bonzer |
| (**) Term: 15 Years | D674,877 S | 1/2013 | Jones |
| | D677,362 S | 3/2013 | Christopher |

(Continued)

(21) Appl. No.: **29/623,474**

(22) Filed: **Oct. 25, 2017**

Primary Examiner — Robin Valery Webster
 (74) *Attorney, Agent, or Firm* — J. Bennett Mullinax,
 LLC

Related U.S. Application Data

(63) Continuation of application No. 29/572,066, filed on Jul. 25, 2016, now Pat. No. Des. 804,612.

(51) **LOC (11) Cl.** **23-01**

(52) **U.S. Cl.**
USPC **D23/213**

(58) **Field of Classification Search**
 USPC D23/213, 223, 225, 226; 239/304,
 239/DIG. 14, 146, 147; 222/465.1
 CPC B05B 7/26; B05B 7/2443; B05B 9/0861;
 B05B 11/00; B05B 7/1413; B05B 9/01;
 B05B 9/03; B05B 7/1209; B05B 12/002;
 B05B 1/308; A62C 31/02; A62C 31/03
 See application file for complete search history.

(56) **References Cited**

U.S. PATENT DOCUMENTS

- | | | |
|-------------|--------|-----------------|
| 3,093,318 A | 6/1963 | Ho Chow |
| 3,387,791 A | 6/1968 | Allenbaugh, Jr. |
| 4,469,279 A | 9/1984 | Allenbaugh, Jr. |
| D456,488 S | 4/2002 | Bonzer |

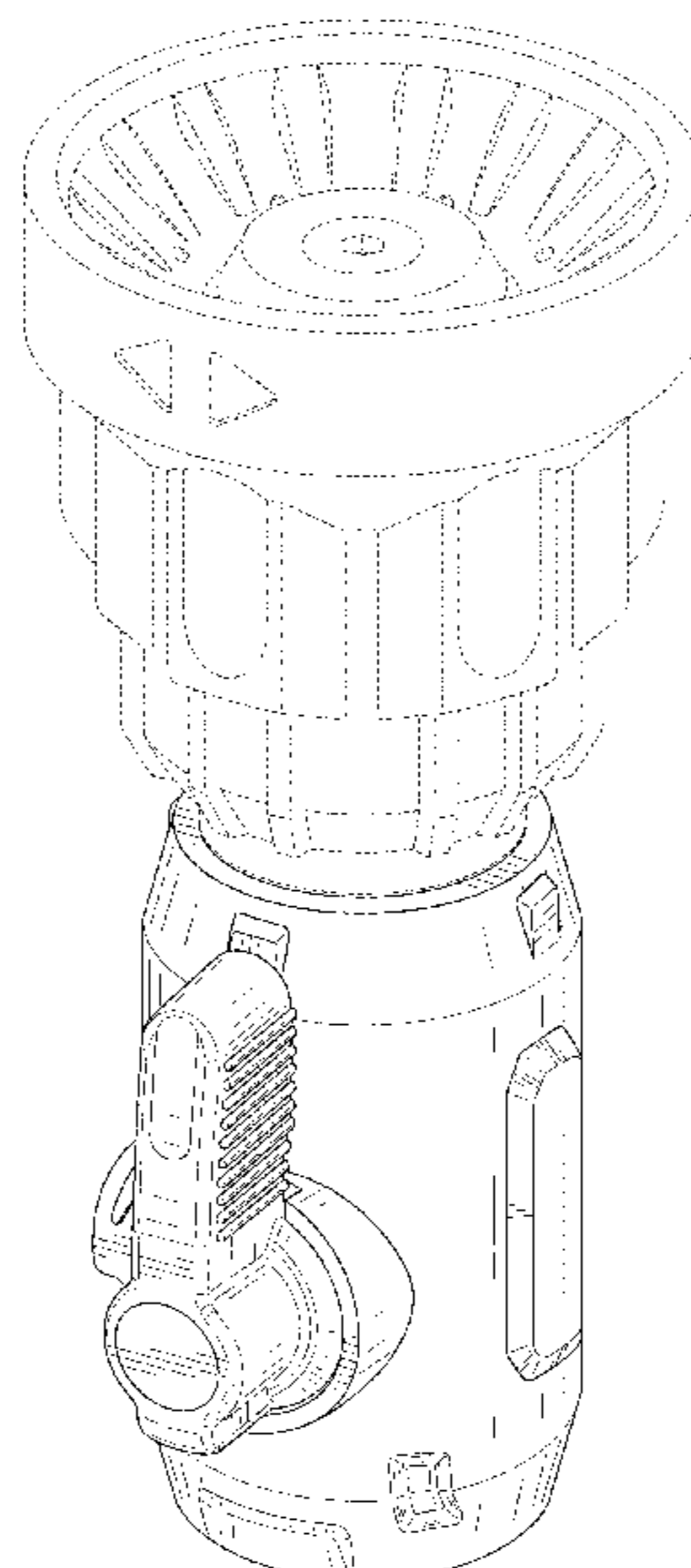
(57) **CLAIM**

The ornamental design for a hose nozzle, as shown and described.

DESCRIPTION

FIG. 1 is a top perspective view of the hose nozzle according to a first embodiment of the present design.
 FIG. 2 is a top view of the hose nozzle as shown in FIG. 1;
 FIG. 3 is a bottom view of the hose nozzle as shown in FIG. 1;
 FIG. 4 is a left side view of the hose nozzle as shown in FIG. 1;
 FIG. 5 is a right side view of the hose nozzle as shown in FIG. 1;
 FIG. 6 is a front view of the hose nozzle as shown in FIG. 1; and,
 FIG. 7 is a rear view of the hose nozzle as shown in FIG. 1.
 The broken lines shown in FIGS. 1-7 are for illustrative purposes only and form no part of the claimed design.

1 Claim, 7 Drawing Sheets



(56)

References Cited

U.S. PATENT DOCUMENTS

D684,661 S 6/2013 Ogen
D690,798 S * 10/2013 Bonzer D23/213
D702,810 S * 4/2014 Stednitz D23/213
D709,164 S 7/2014 Abernaethy
8,794,546 B2 8/2014 Elley et al.
D736,349 S 8/2015 Wojan
D746,944 S 1/2016 Naslund
D749,697 S 2/2016 Wojan
9,757,740 B2 * 9/2017 Erickson B05B 1/1618
D799,001 S * 10/2017 Gooden B05B 1/1618
D23/213
D799,002 S * 10/2017 Gooden D23/213

* cited by examiner

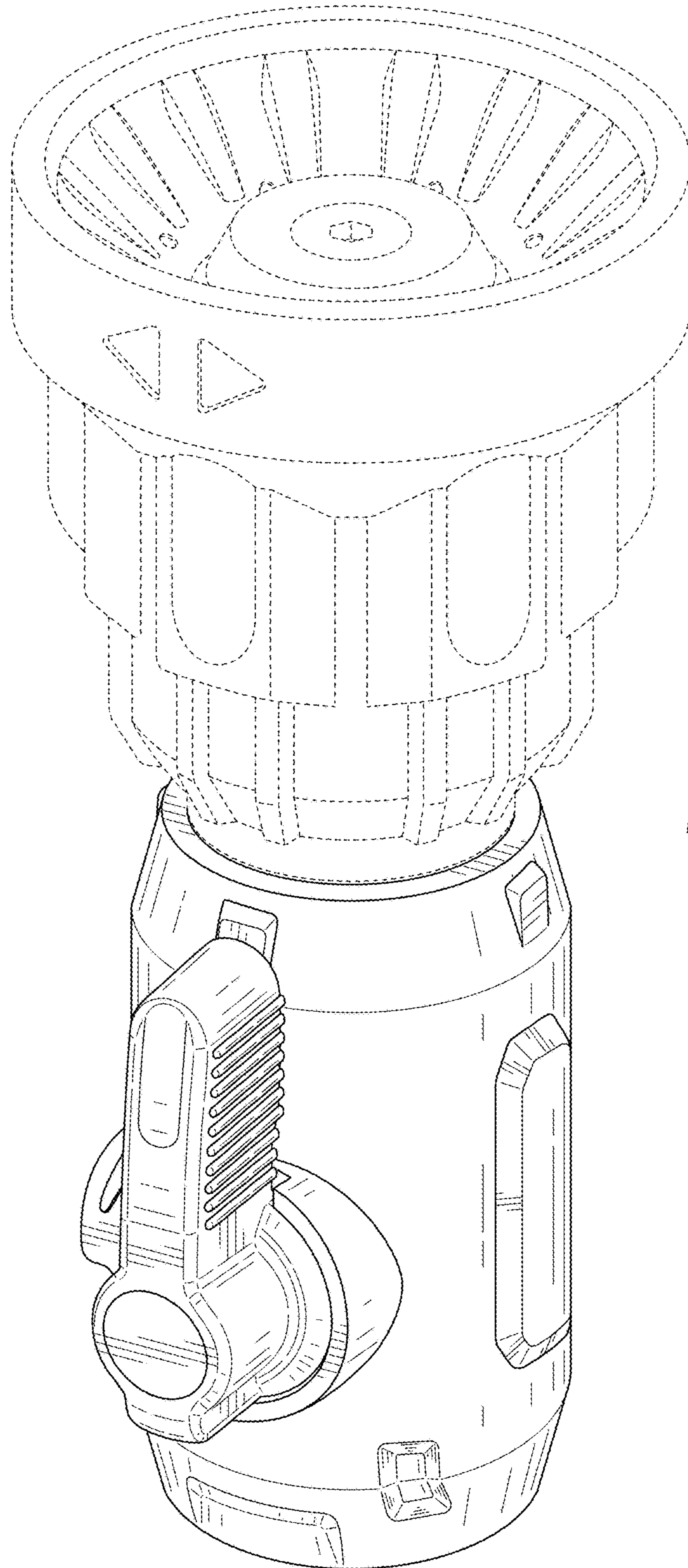


FIG. 1

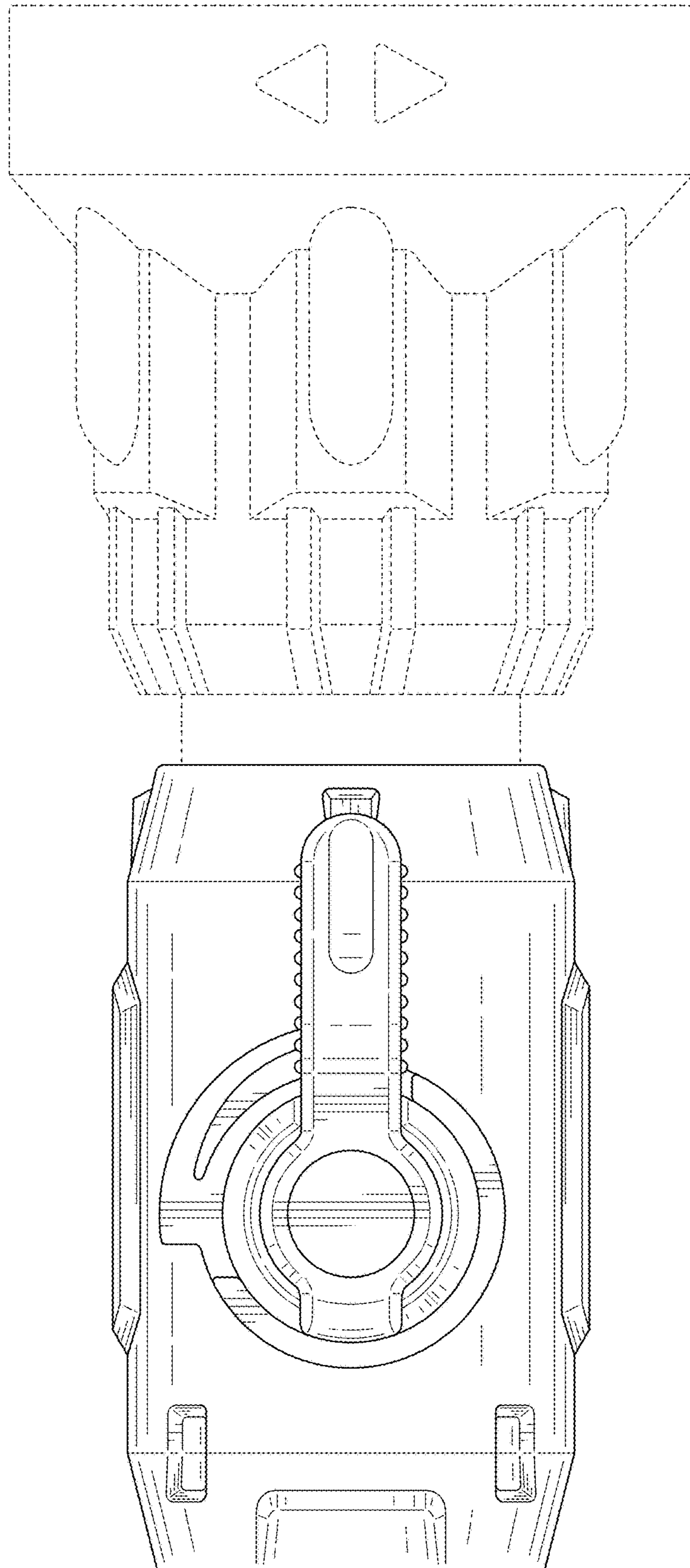


FIG. 2

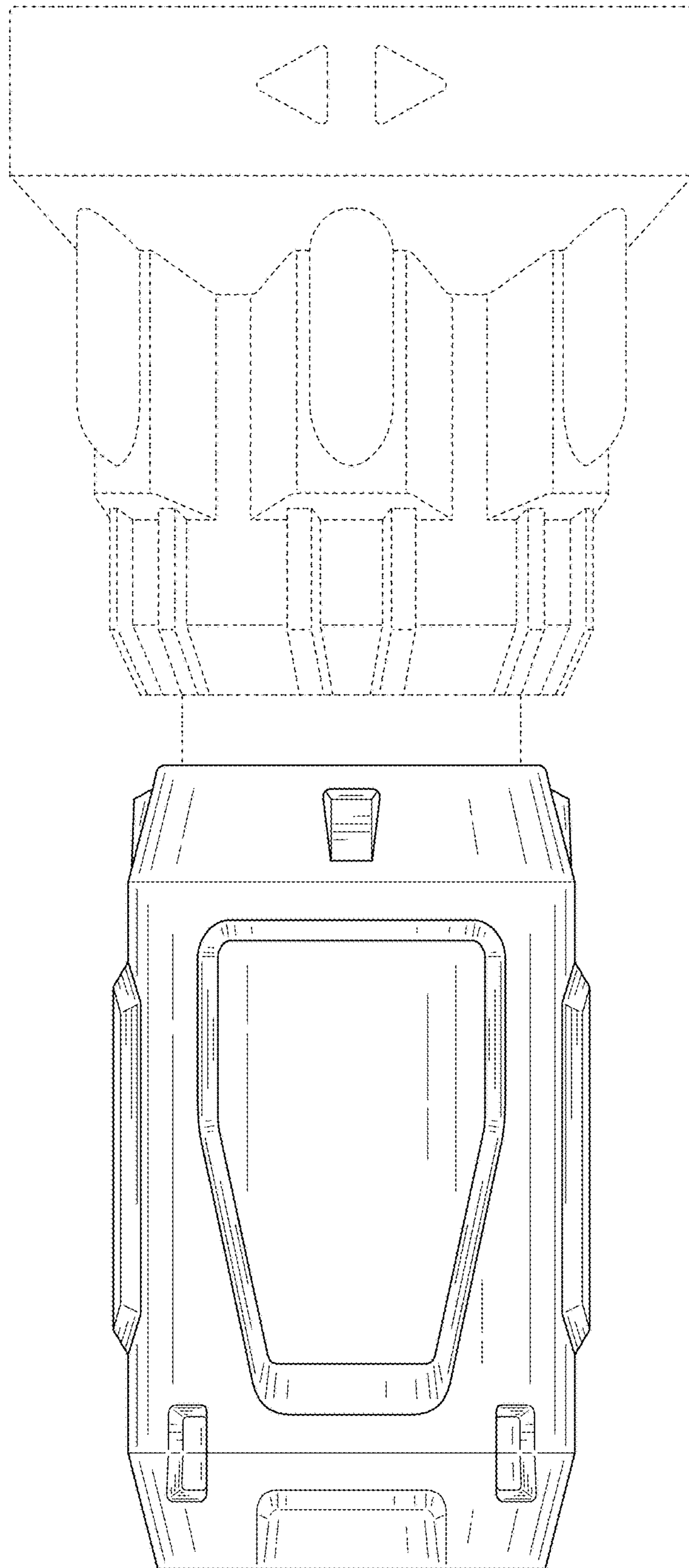


FIG. 3

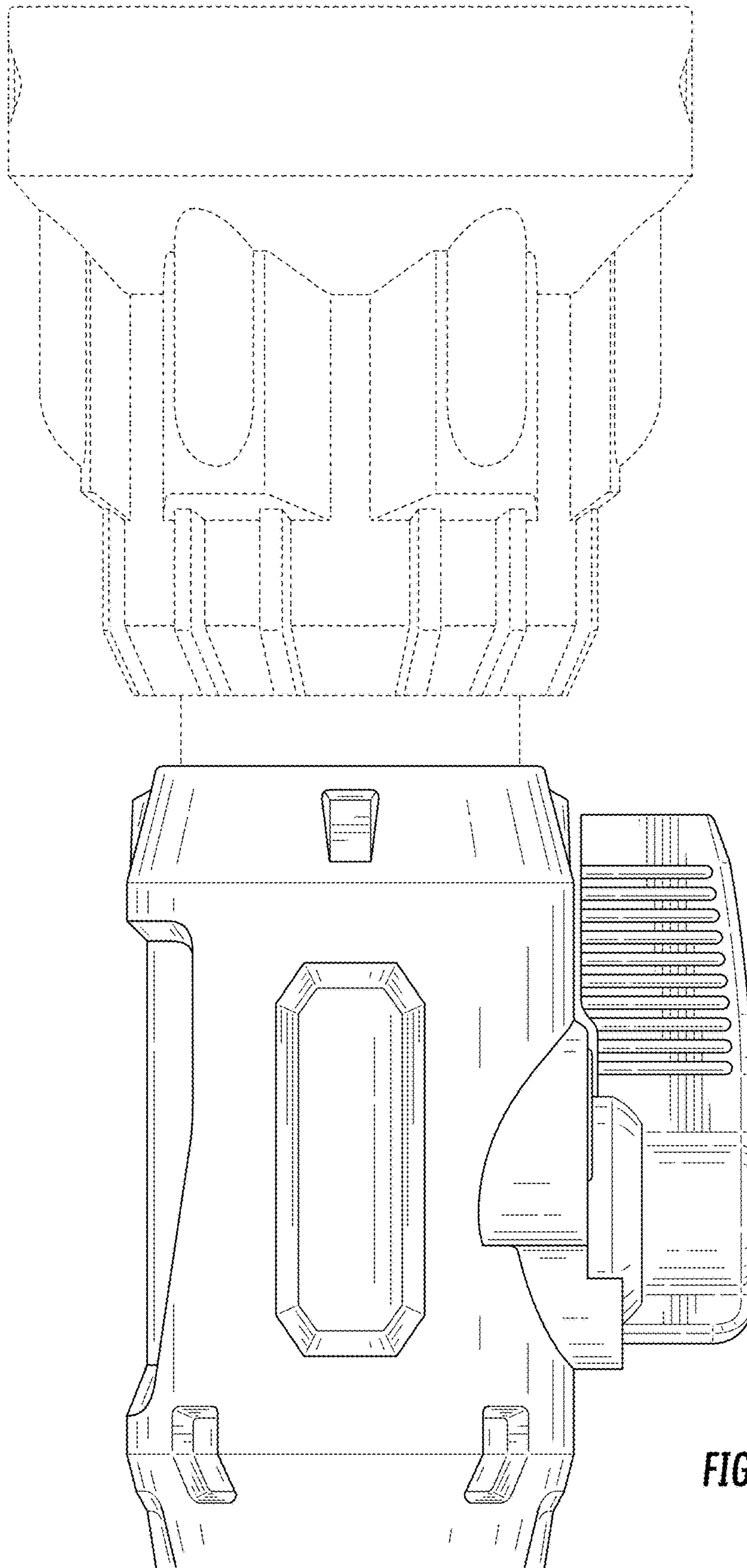


FIG. 4

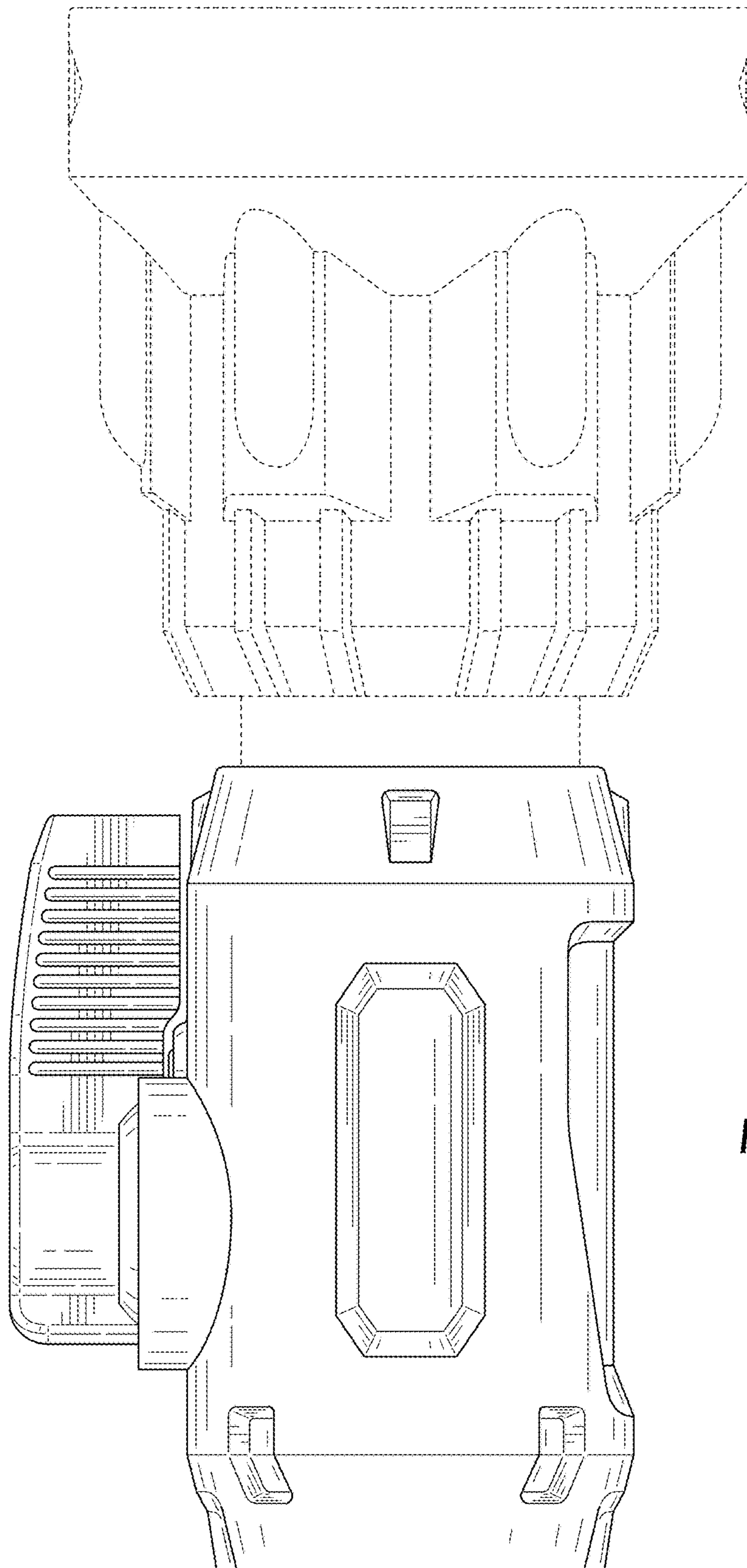


FIG. 5

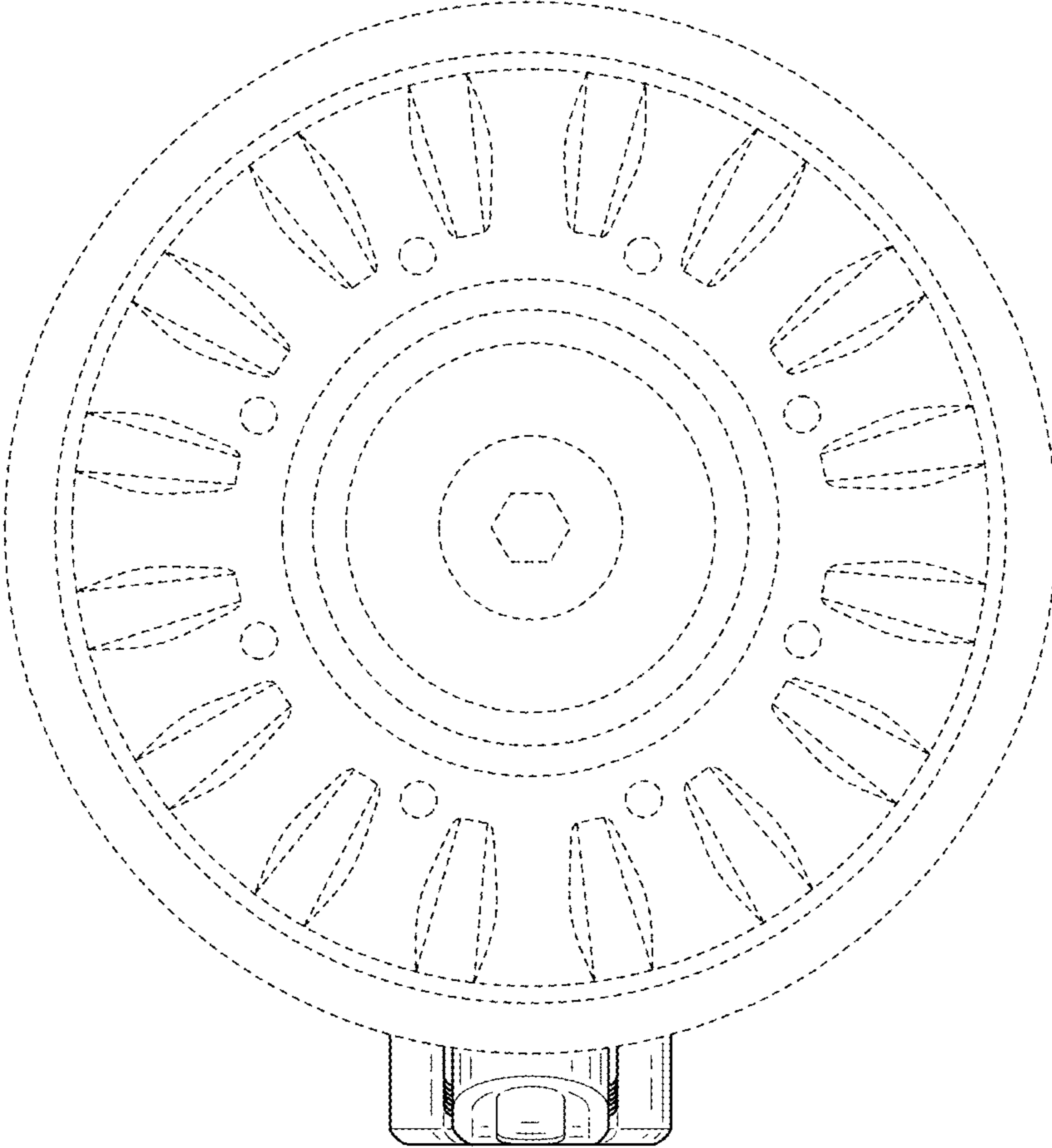


FIG. 6

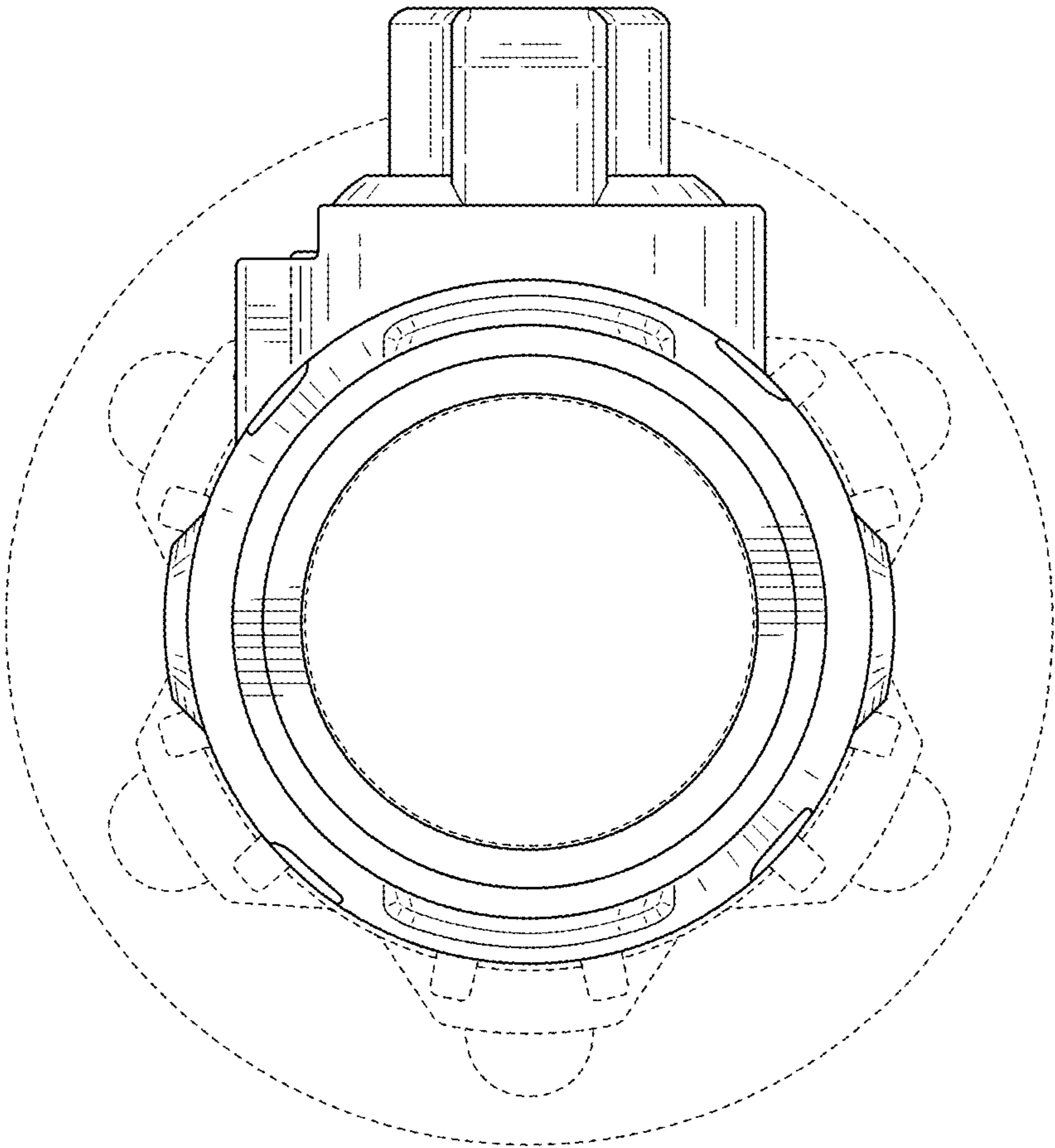


FIG. 7