



US00D827771S

(12) **United States Design Patent** (10) **Patent No.:** **US D827,771 S**
Zhao (45) **Date of Patent:** **** Sep. 4, 2018**

(54) **FILTER UNIT**
(71) Applicant: **Guangzhou Smartdo Trading Co., Ltd**, Guangzhou, Guangdong (CN)
(72) Inventor: **Xin Zhao**, Guangdong (CN)
(73) Assignee: **GUANGZHOU SMARTDO TRADING CO., LTD**, Guangzhou (CN)

D679,779 S * 4/2013 Reid D23/209
D712,007 S * 8/2014 Reid D23/209
D731,616 S * 6/2015 Zou D23/209
D755,344 S * 5/2016 Reckin D23/209
D755,922 S * 5/2016 Sherman B01D 35/30
D23/209
D762,812 S * 8/2016 Branscomb D23/209
D767,712 S * 9/2016 Huda D23/207
D780,887 S * 3/2017 Huda D23/209
D788,879 S * 6/2017 Zou D23/209
D807,988 S * 1/2018 An B01D 35/30
D23/209
9,956,511 B2 * 5/2018 Lackey B01D 35/30

(**) Term: **15 Years**

* cited by examiner

(21) Appl. No.: **29/614,102**

Primary Examiner — Robin V Webster

(22) Filed: **Aug. 16, 2017**

(57) **CLAIM**

(30) **Foreign Application Priority Data**

The ornamental design for a filter unit, as shown and described.

Jul. 26, 2017 (CN) 2017 3 0333696

DESCRIPTION

(51) **LOC (11) Cl.** **23-01**

(52) **U.S. Cl.** **D23/209**

USPC **D23/209**

(58) **Field of Classification Search**

USPC D23/207, 209, 365

CPC . C02F 1/003; C02F 1/42; B01D 35/30; B01D

35/153; B01D 29/111; B01D 39/12;

B29C 47/682

See application file for complete search history.

FIG. 1 is a first perspective view of a filter unit showing my new design;
FIG. 2 is a second perspective view thereof;
FIG. 3 is a third perspective view thereof;
FIG. 4 is a fourth perspective view thereof;
FIG. 5 is a front elevational view thereof;
FIG. 6 is a rear elevational view thereof;
FIG. 7 is a left side view thereof;
FIG. 8 is a right side view thereof;
FIG. 9 is a top plan view thereof;
FIG. 10 is a bottom plan view thereof;
FIG. 11 is an enlarged view of portion 11 of FIG. 3;
FIG. 12 is an enlarged view of portion 12 of FIG. 4; and,
FIG. 13 is an enlarged view of portion 13 of FIG. 8.

(56) **References Cited**

U.S. PATENT DOCUMENTS

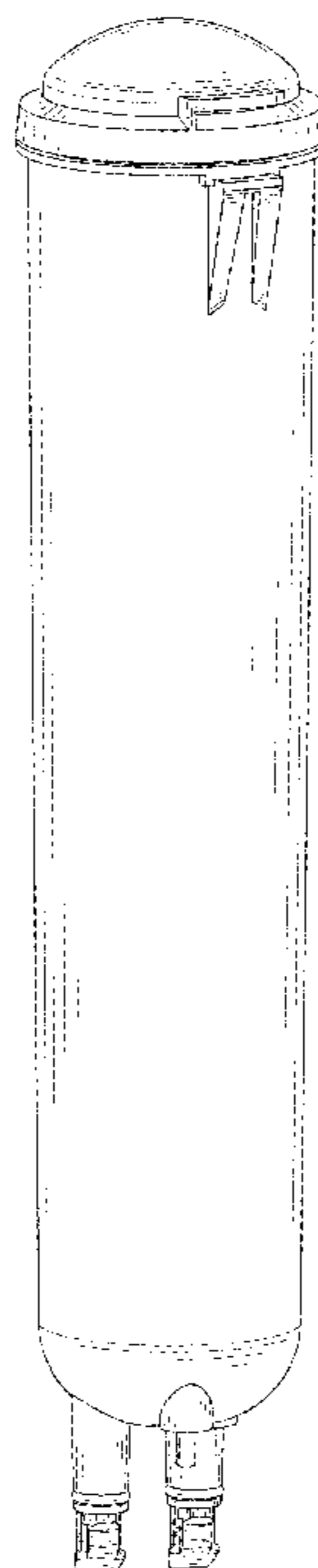
6,325,929 B1 * 12/2001 Bassett B01D 61/18

210/238

D493,207 S * 7/2004 Ueda D23/209

D547,823 S * 7/2007 Kennedy D23/207

1 Claim, 13 Drawing Sheets



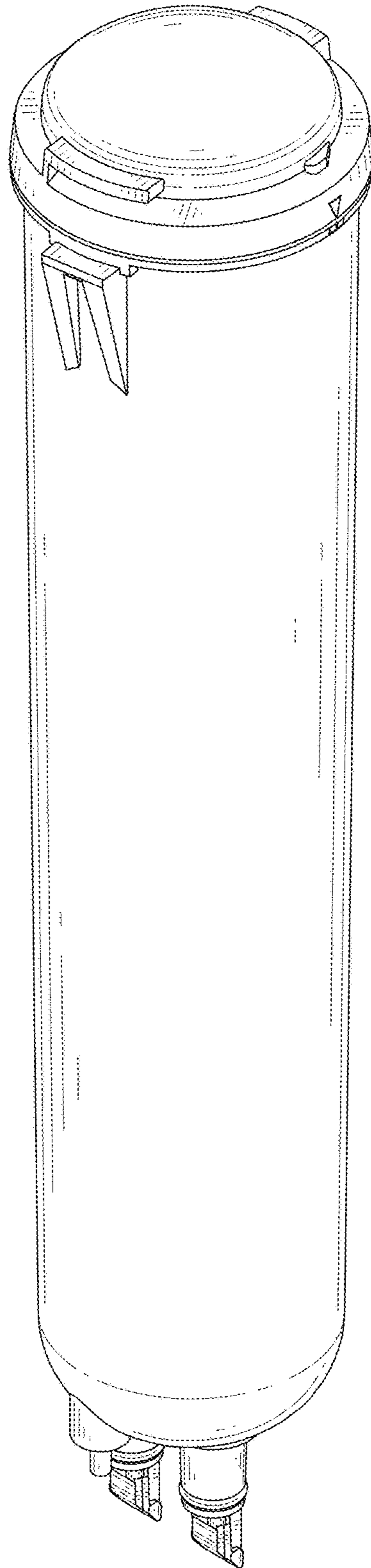


FIG. 1

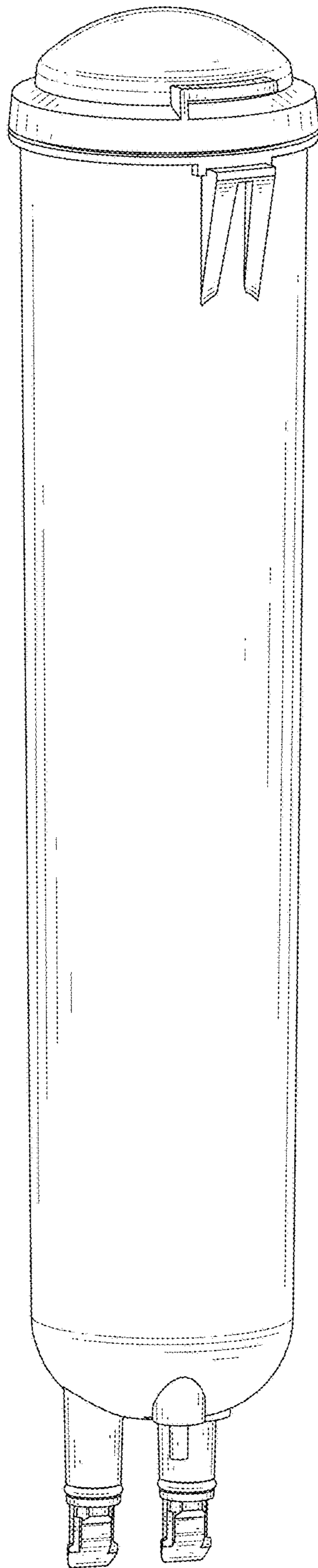


FIG. 2

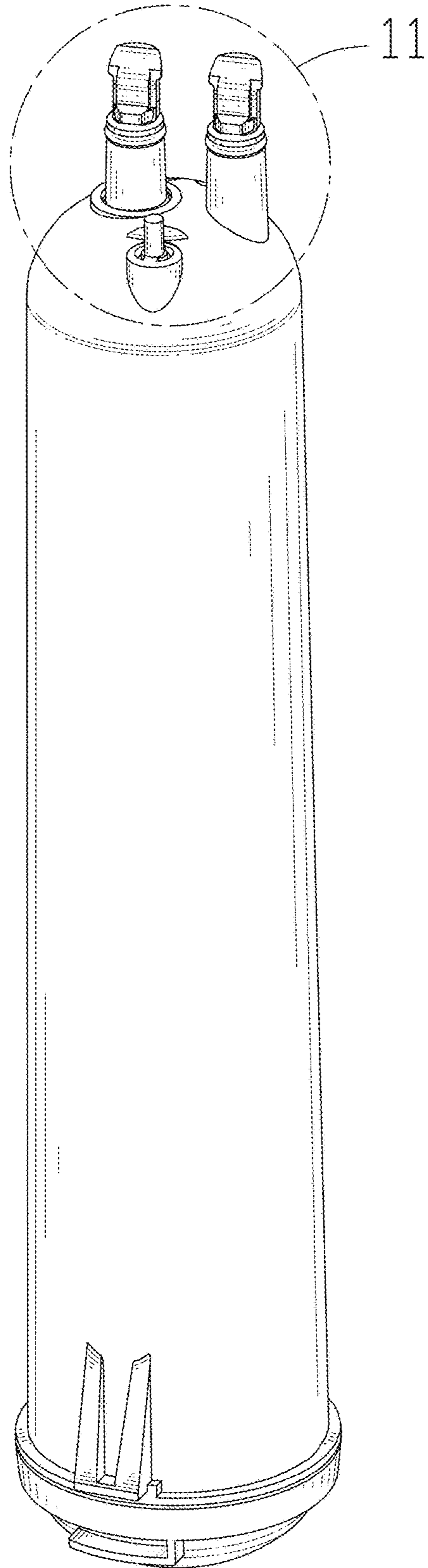


FIG. 3

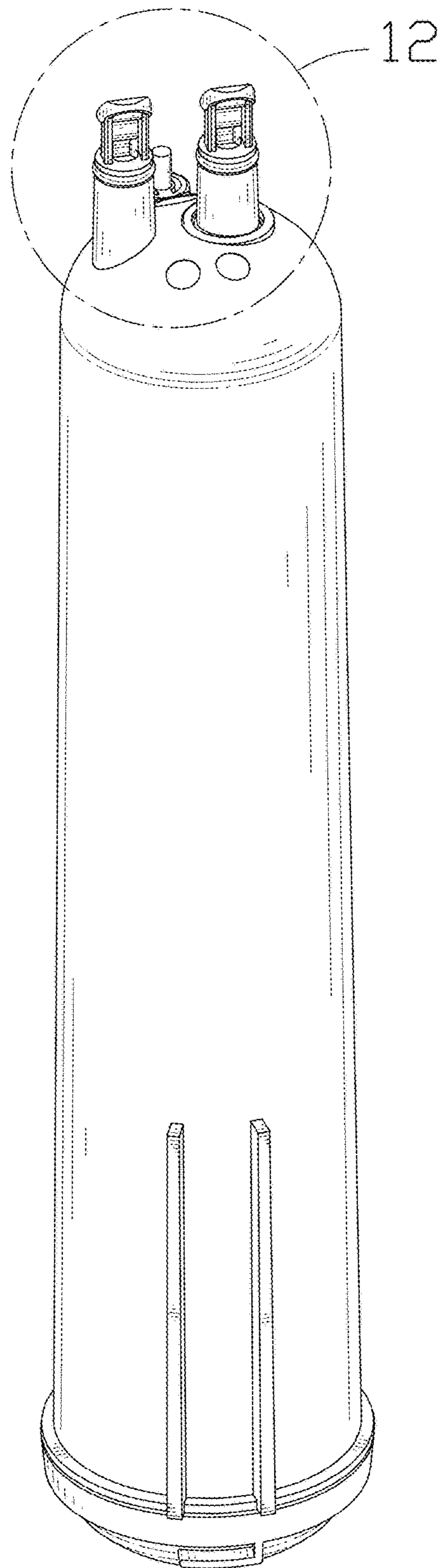


FIG. 4

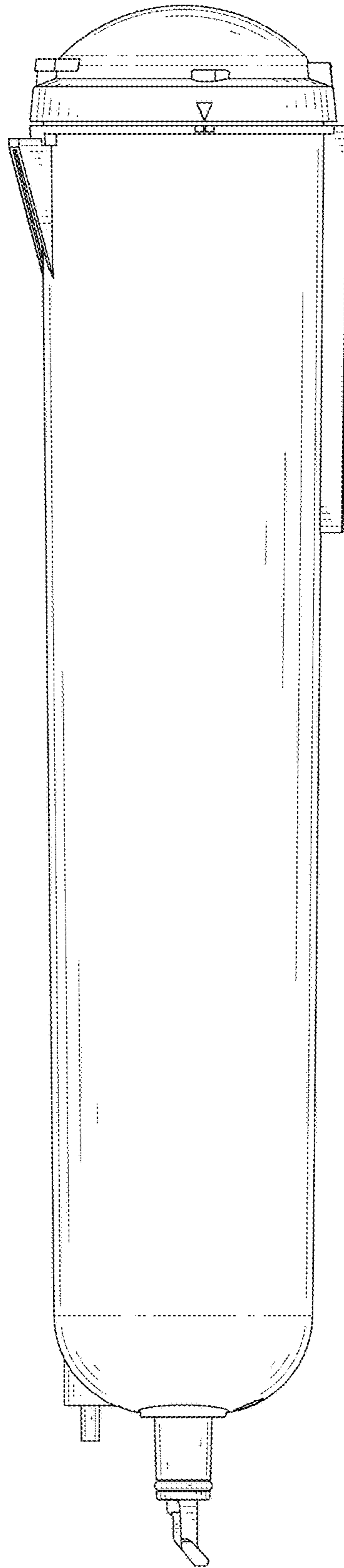


FIG. 5

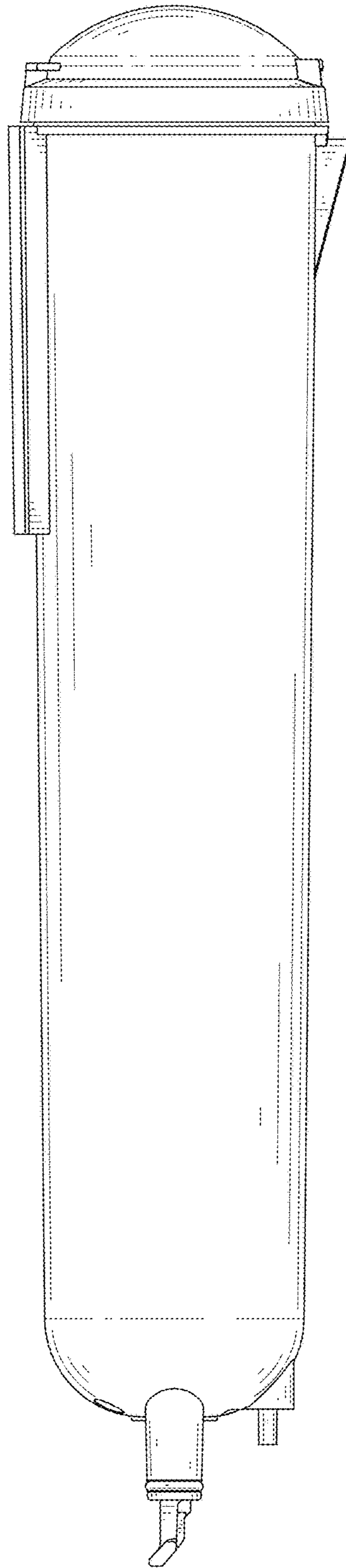


FIG. 6

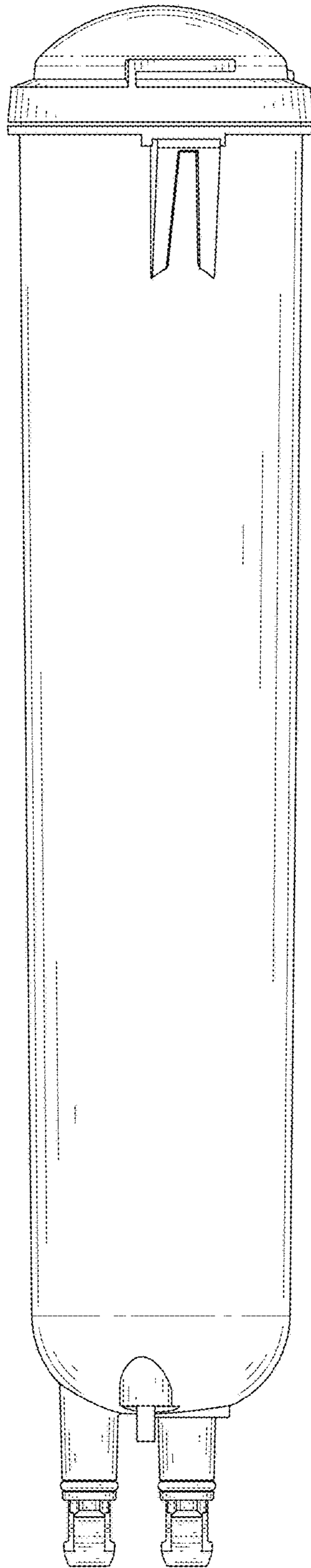


FIG. 7

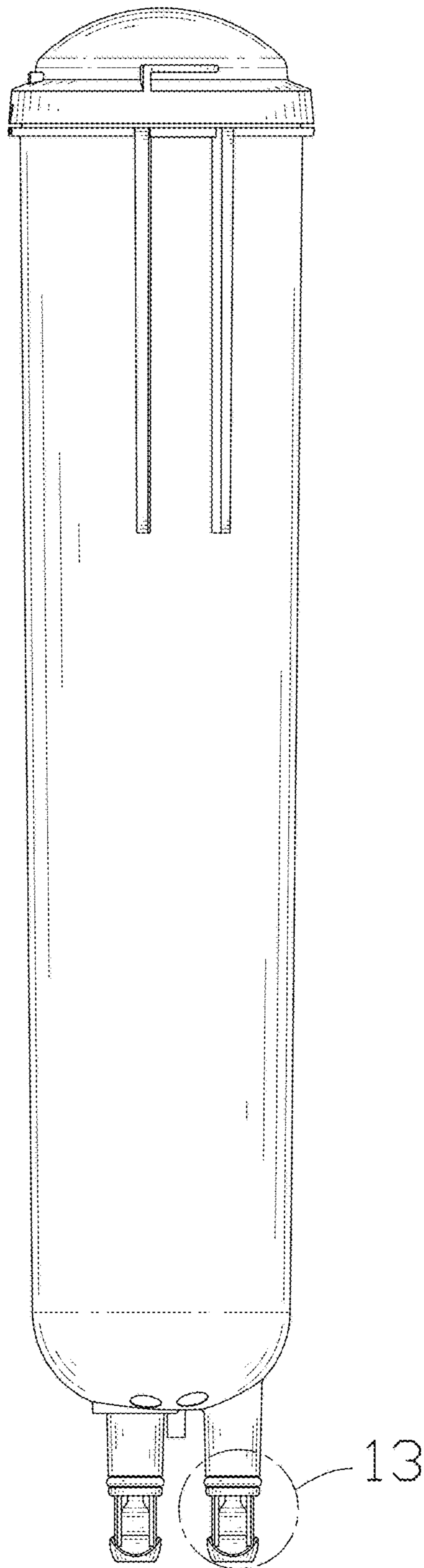


FIG. 8

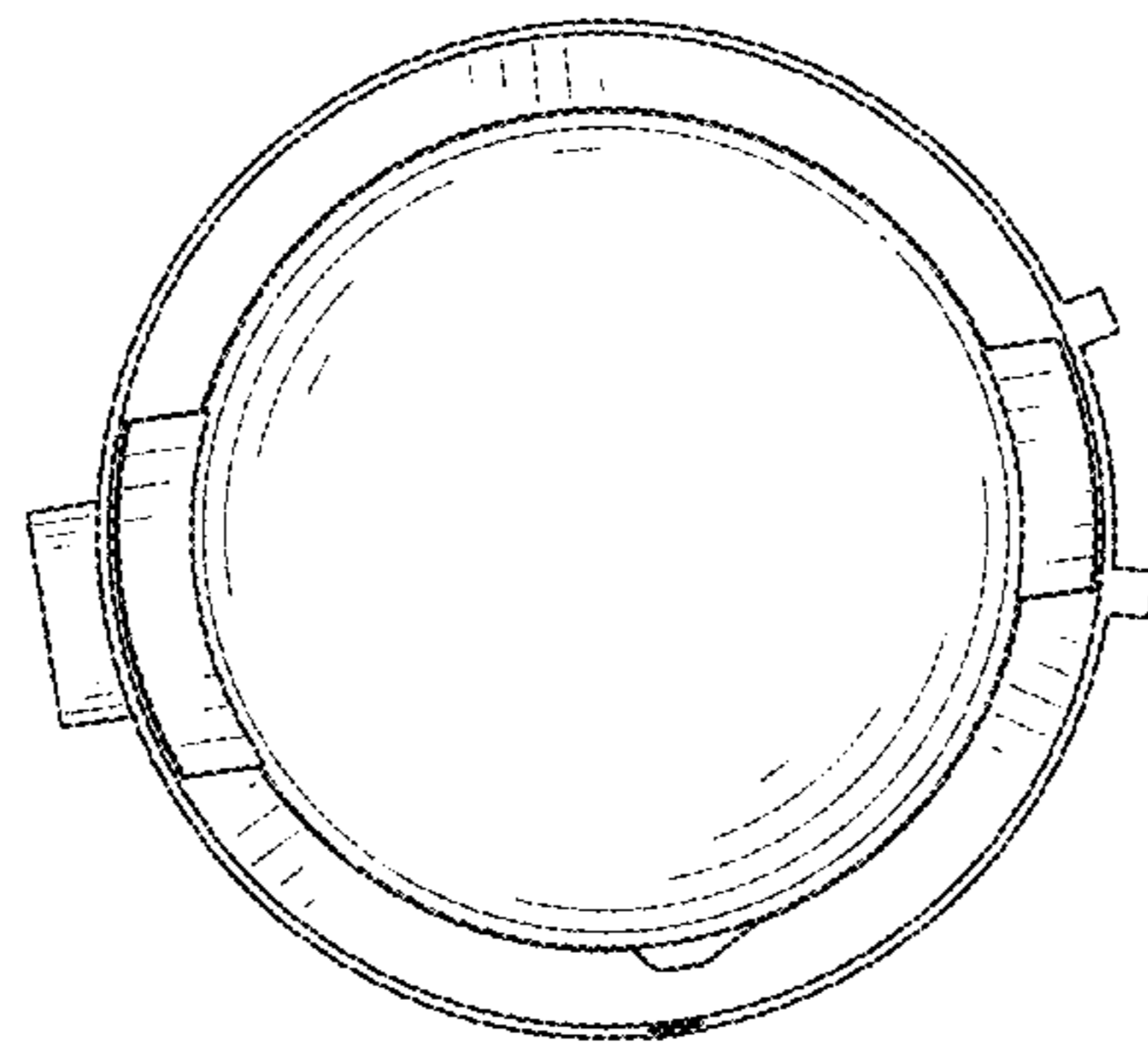


FIG. 9

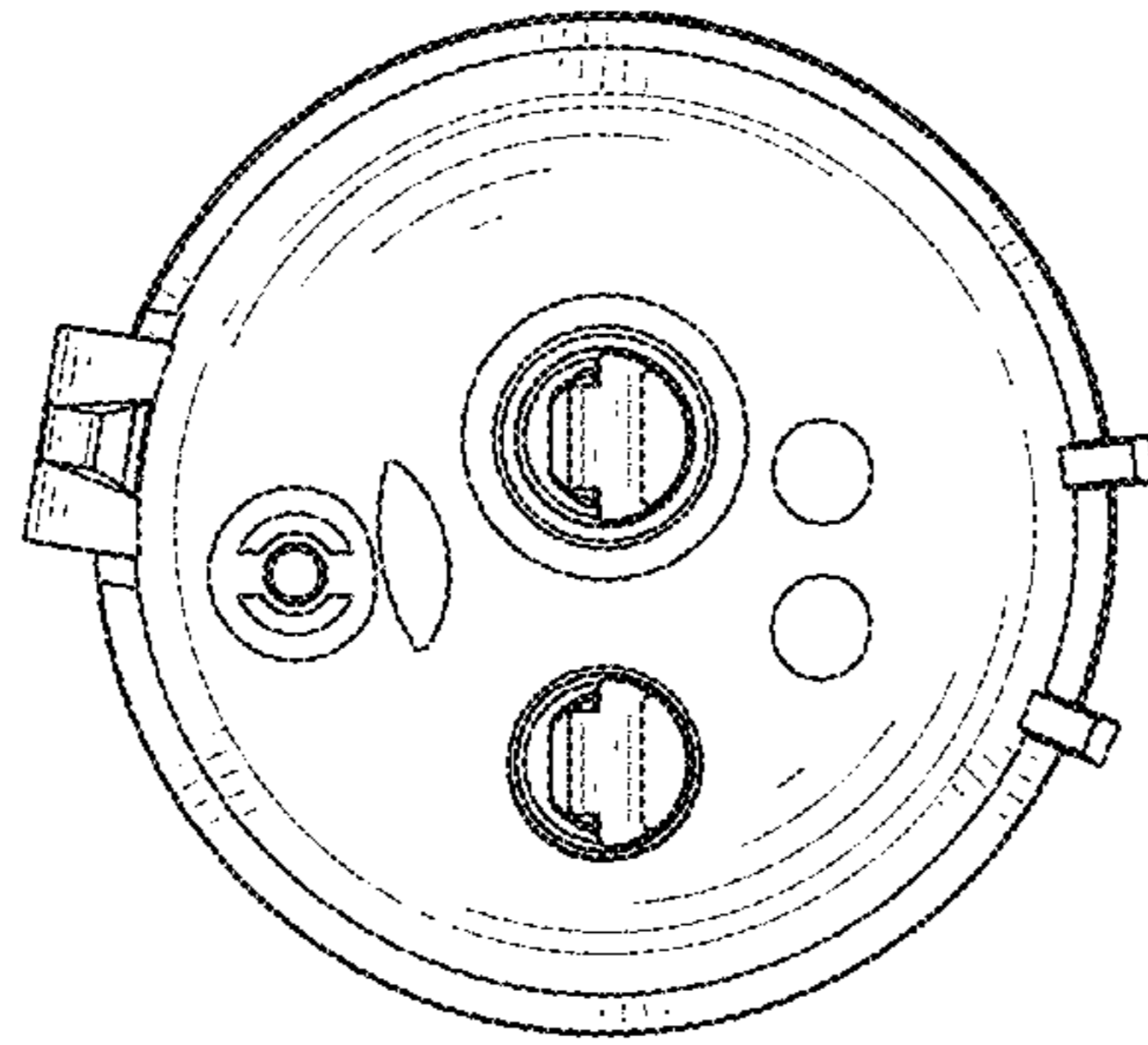


FIG. 10

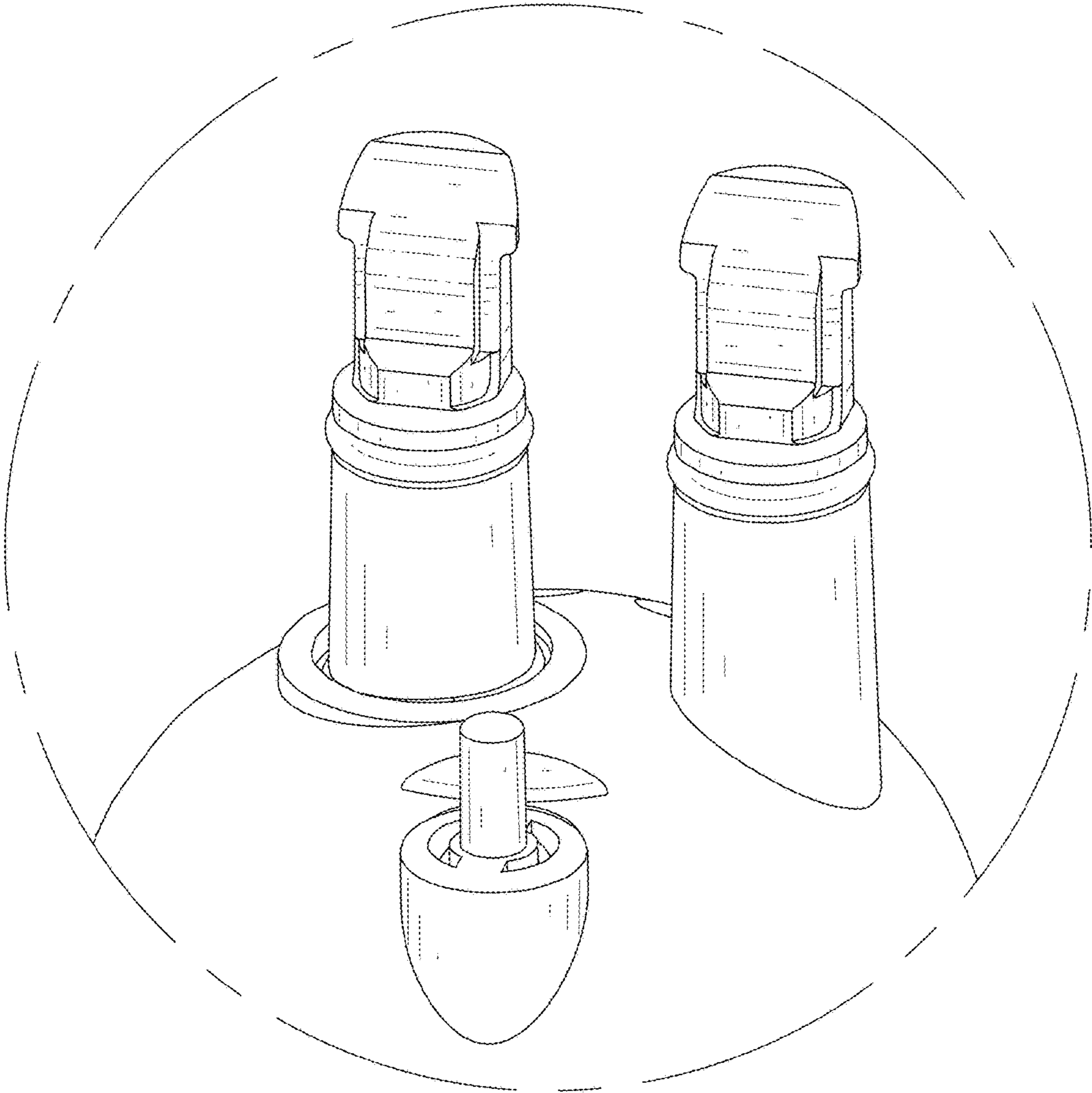


FIG. 11

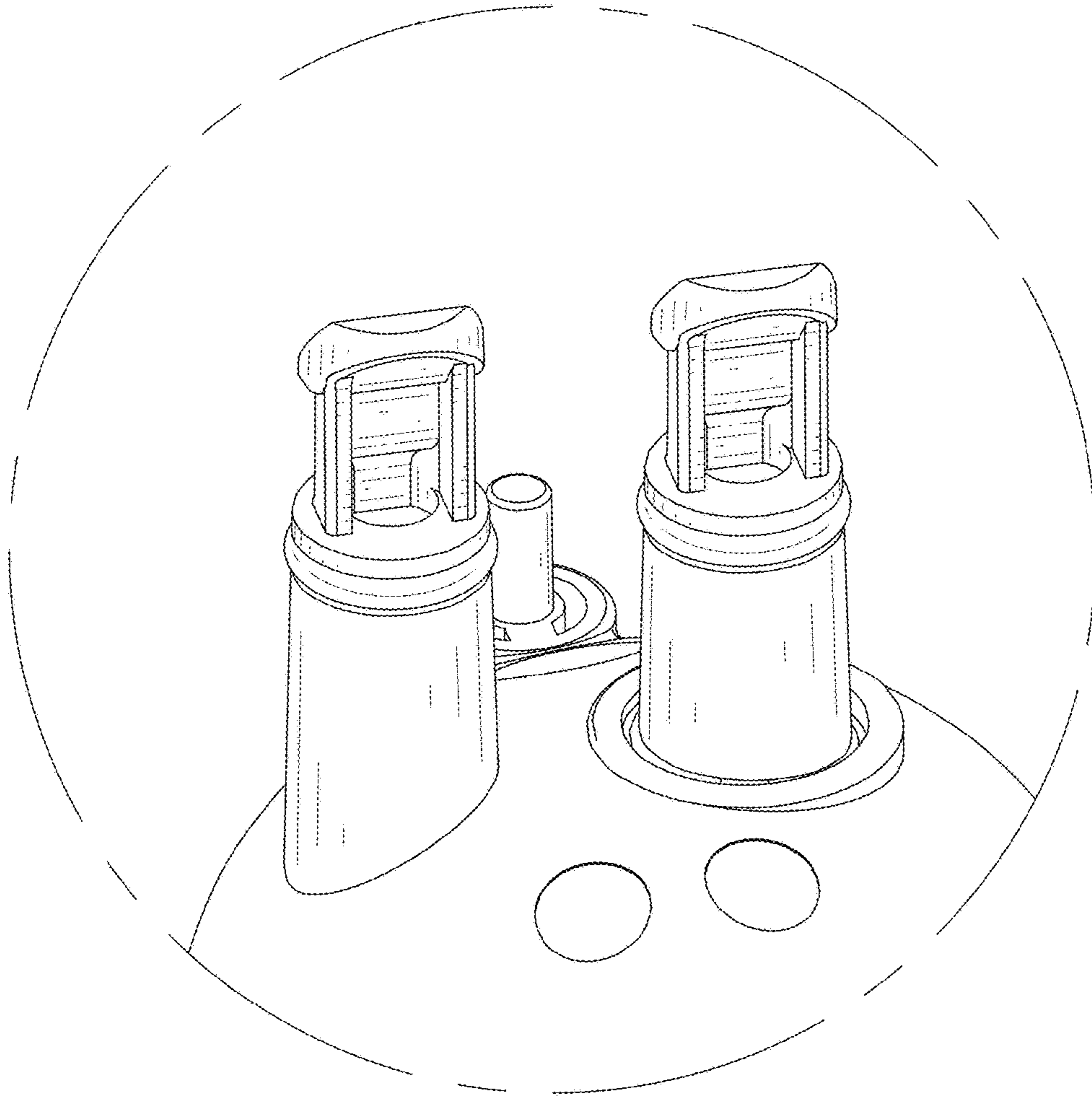


FIG. 12

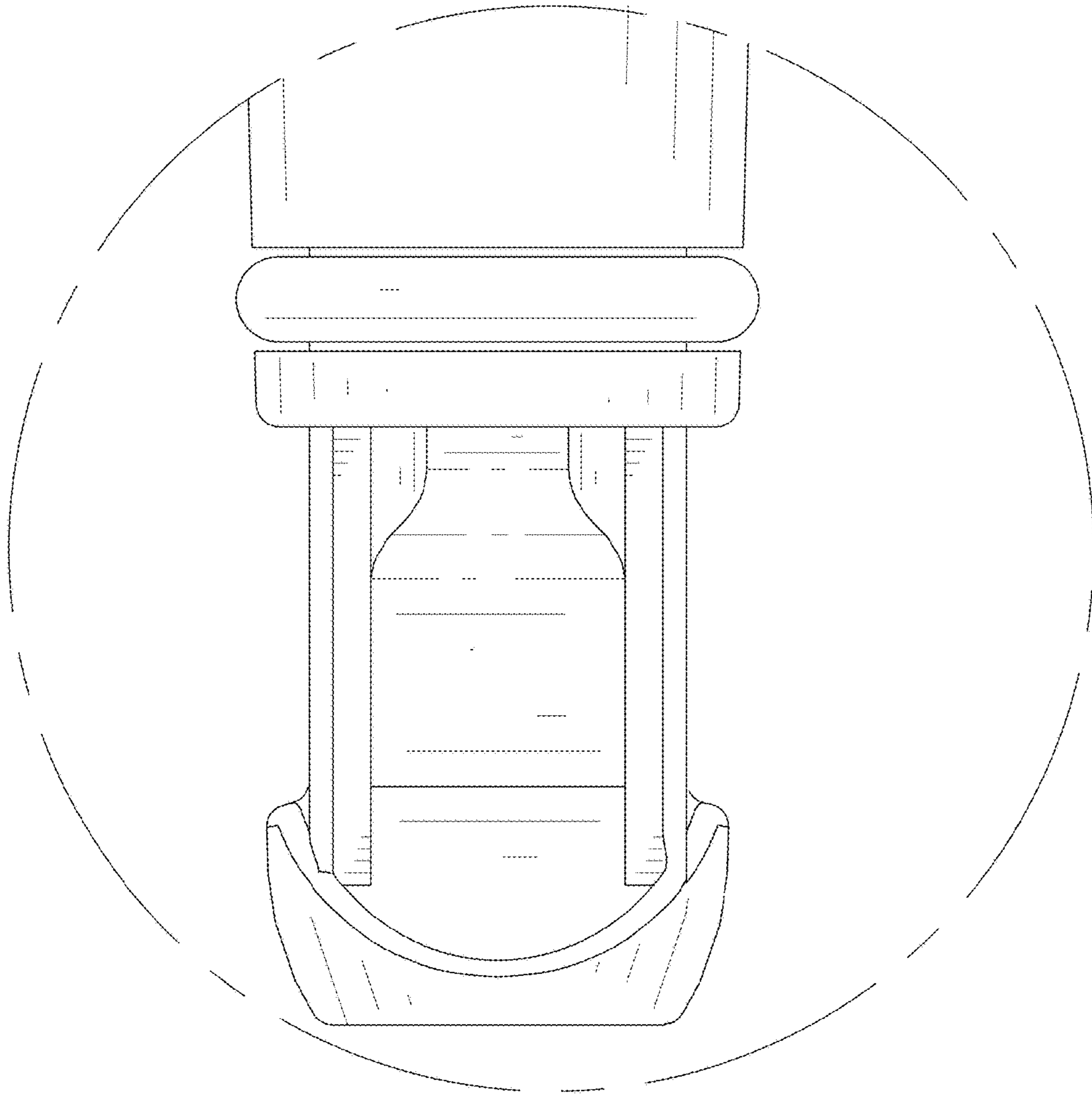


FIG. 13