



US00D827768S

(12) **United States Design Patent**  
**Brill**

(10) **Patent No.:** **US D827,768 S**

(45) **Date of Patent:** **\*\* Sep. 4, 2018**

(54) **FILTER CARTRIDGE WITH A FILTER HEAD**

(71) Applicant: **BRITA GMBH**, Taunusstein (DE)

(72) Inventor: **Anita Brill**, Wiesbaden (DE)

(73) Assignee: **BRITA GMBH**, Taunusstein (DE)

(\*\*) Term: **15 Years**

(21) Appl. No.: **29/605,918**

(22) Filed: **May 31, 2017**

(30) **Foreign Application Priority Data**

Dec. 7, 2016 (EM) ..... 003 504 679

(51) **LOC (11) Cl.** ..... **23-01**

(52) **U.S. Cl.**  
USPC ..... **D23/209**

(58) **Field of Classification Search**  
USPC ..... D23/207, 209; 210/232, 282, 493.2  
CPC .... B01D 35/30; B01D 35/153; B01D 29/111;  
C02F 1/003; B29C 47/682  
See application file for complete search history.

(56) **References Cited**

**U.S. PATENT DOCUMENTS**

D494,654 S \* 8/2004 Macaulay ..... D23/209  
D547,823 S \* 7/2007 Kennedy ..... D23/207  
D547,825 S \* 7/2007 Kennedy ..... D23/209

D548,306 S \* 8/2007 Kennedy ..... D23/209  
D731,616 S \* 6/2015 Zou ..... D23/209  
D760,868 S \* 7/2016 Lu ..... D23/209  
D772,379 S \* 11/2016 Tadlock ..... D23/209  
D776,237 S \* 1/2017 Dong ..... D23/207  
D782,609 S \* 3/2017 Hill ..... D23/207  
D782,610 S \* 3/2017 Hill ..... D23/207  
D788,879 S \* 6/2017 Zou ..... D23/209  
D788,880 S \* 6/2017 Zou ..... D23/209

\* cited by examiner

*Primary Examiner* — Robin V Webster

(74) *Attorney, Agent, or Firm* — Hudak, Shunk & Farine  
Co. LPA

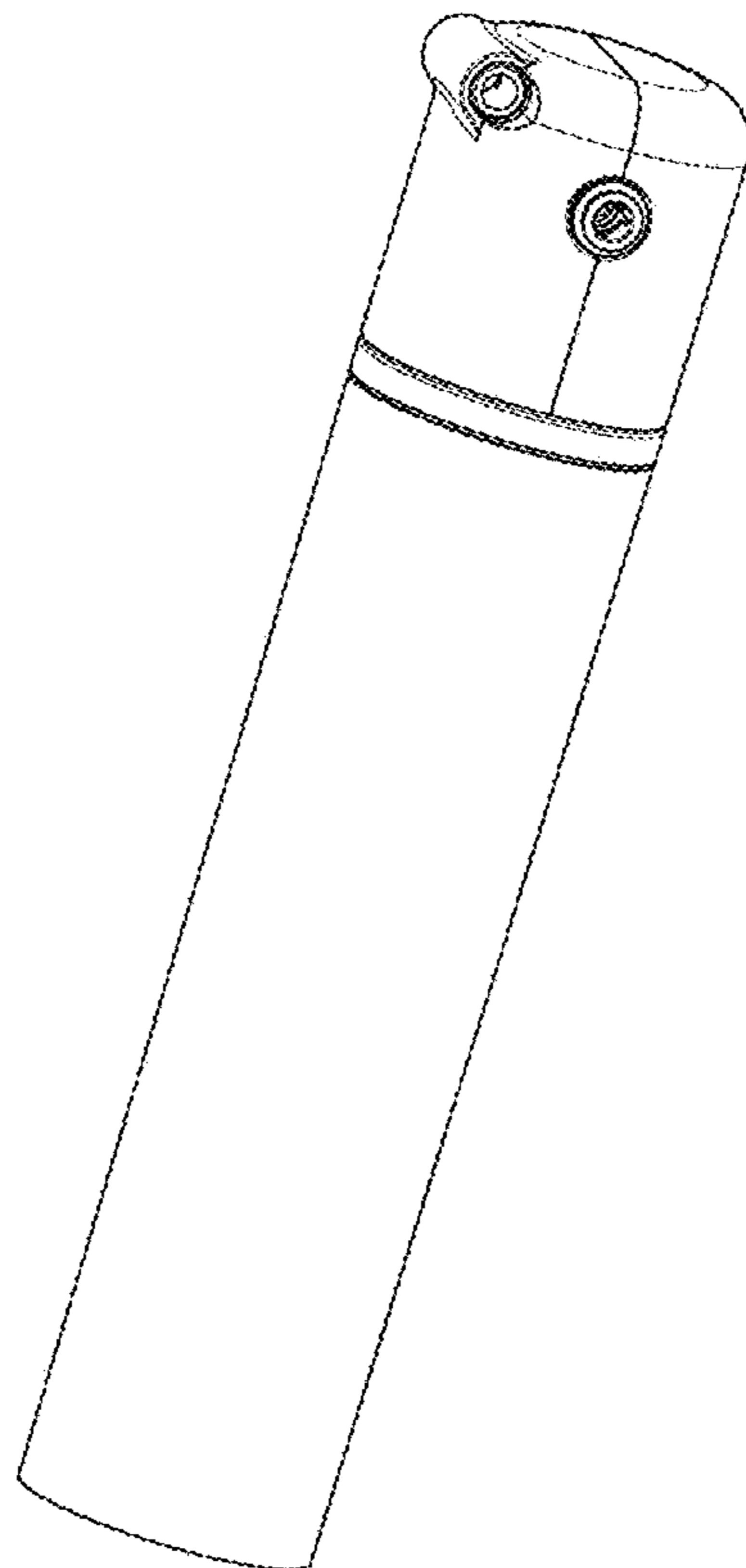
(57) **CLAIM**

The ornamental design for a “filter cartridge with a filter head”, as shown and described.

**DESCRIPTION**

FIG. 1 is a right rear perspective view of a filter cartridge with a filter head showing my new design;  
FIG. 2 is a right side view thereof;  
FIG. 3 is a left side view thereof;  
FIG. 4 is a rear view thereof;  
FIG. 5 is a front view thereof;  
FIG. 6 is an enlarged top view thereof; and,  
FIG. 7 is an enlarged bottom view thereof.  
The broken lines in the drawings depict portions of the filter cartridge with a filter head that form no part of the claim.

**1 Claim, 7 Drawing Sheets**



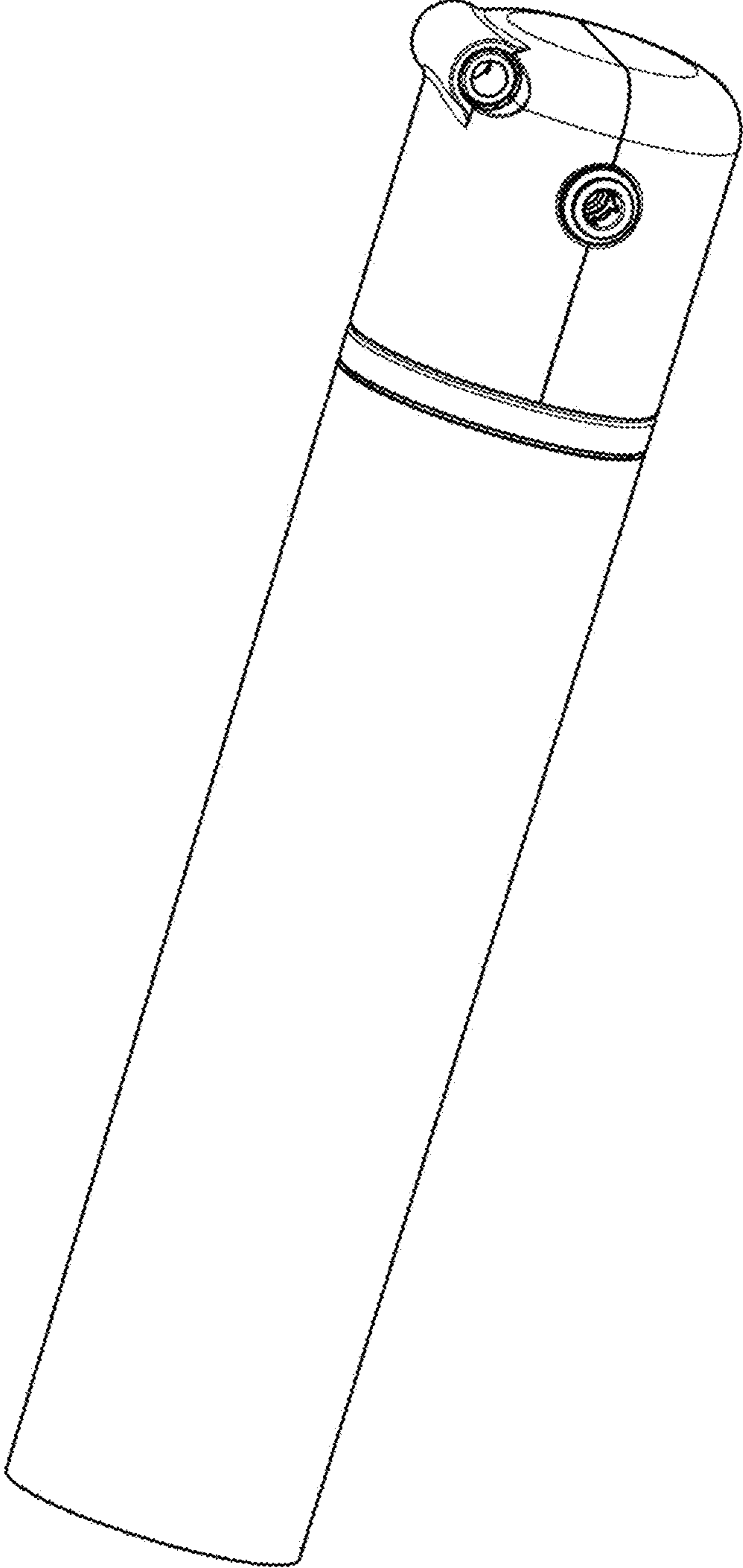


FIG. 1

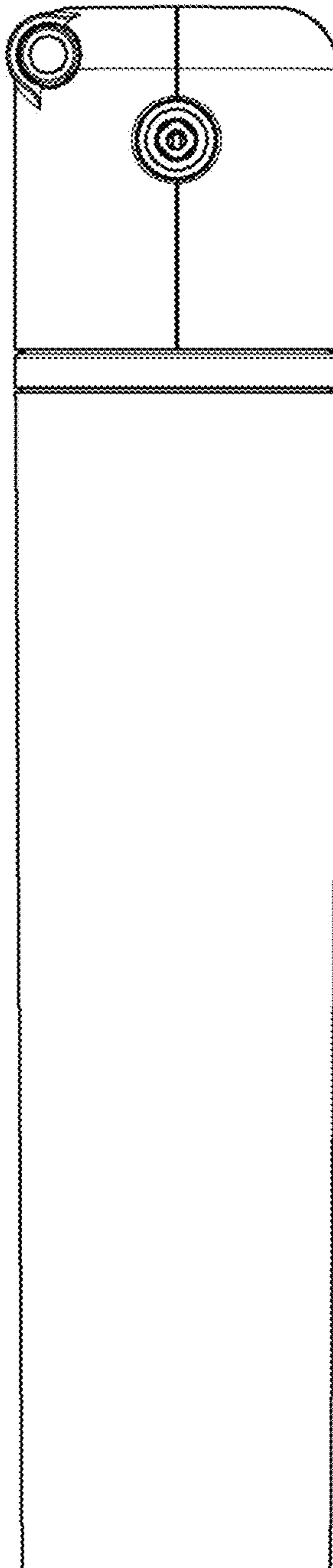


FIG. 2

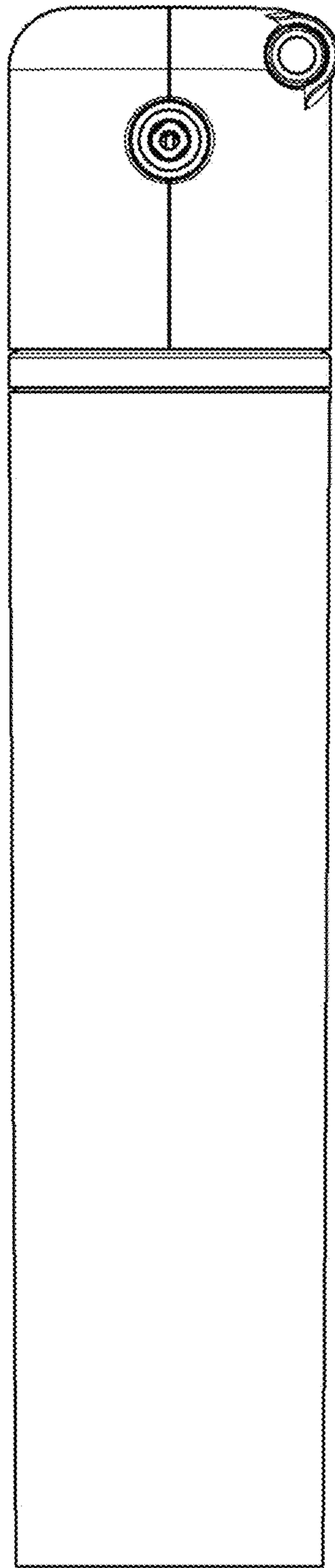


FIG. 3

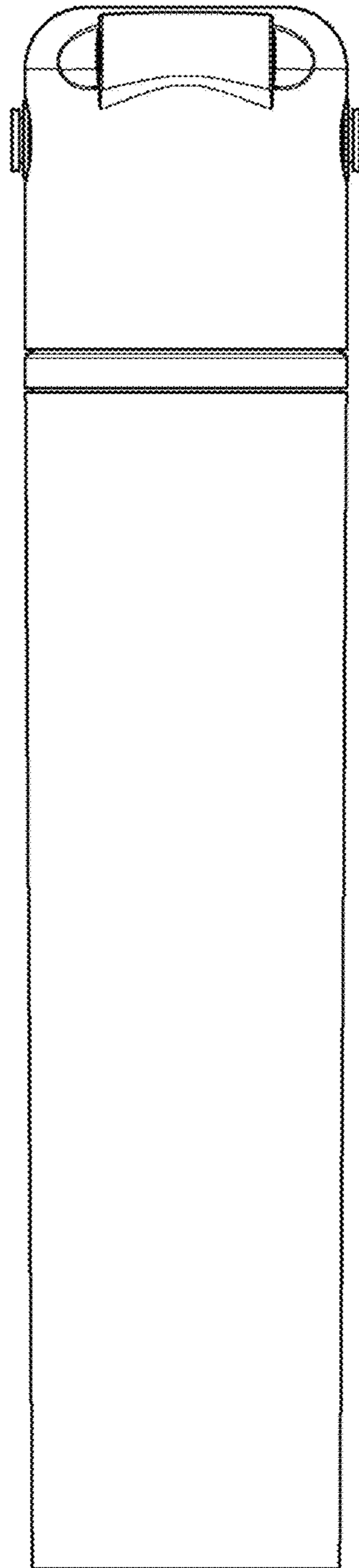


FIG. 4

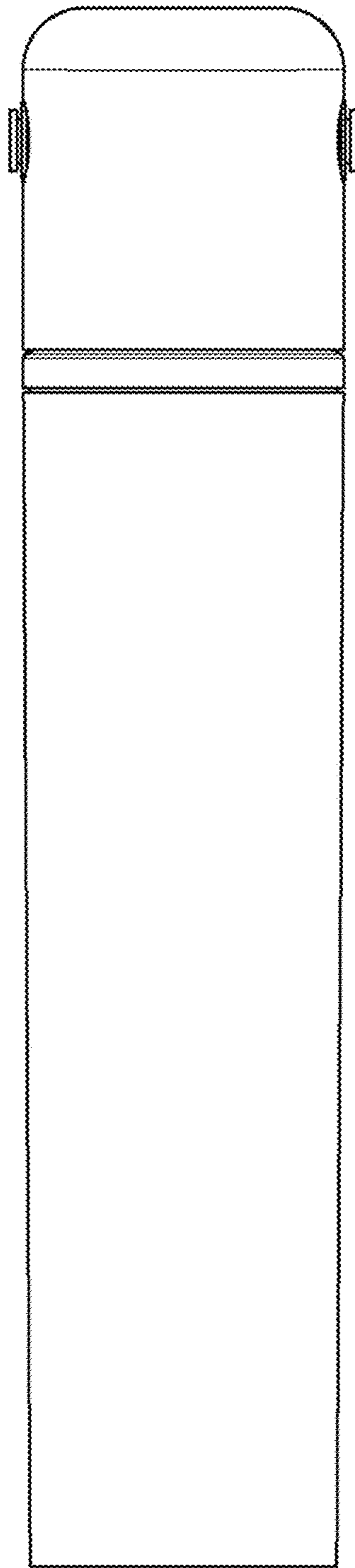


FIG. 5

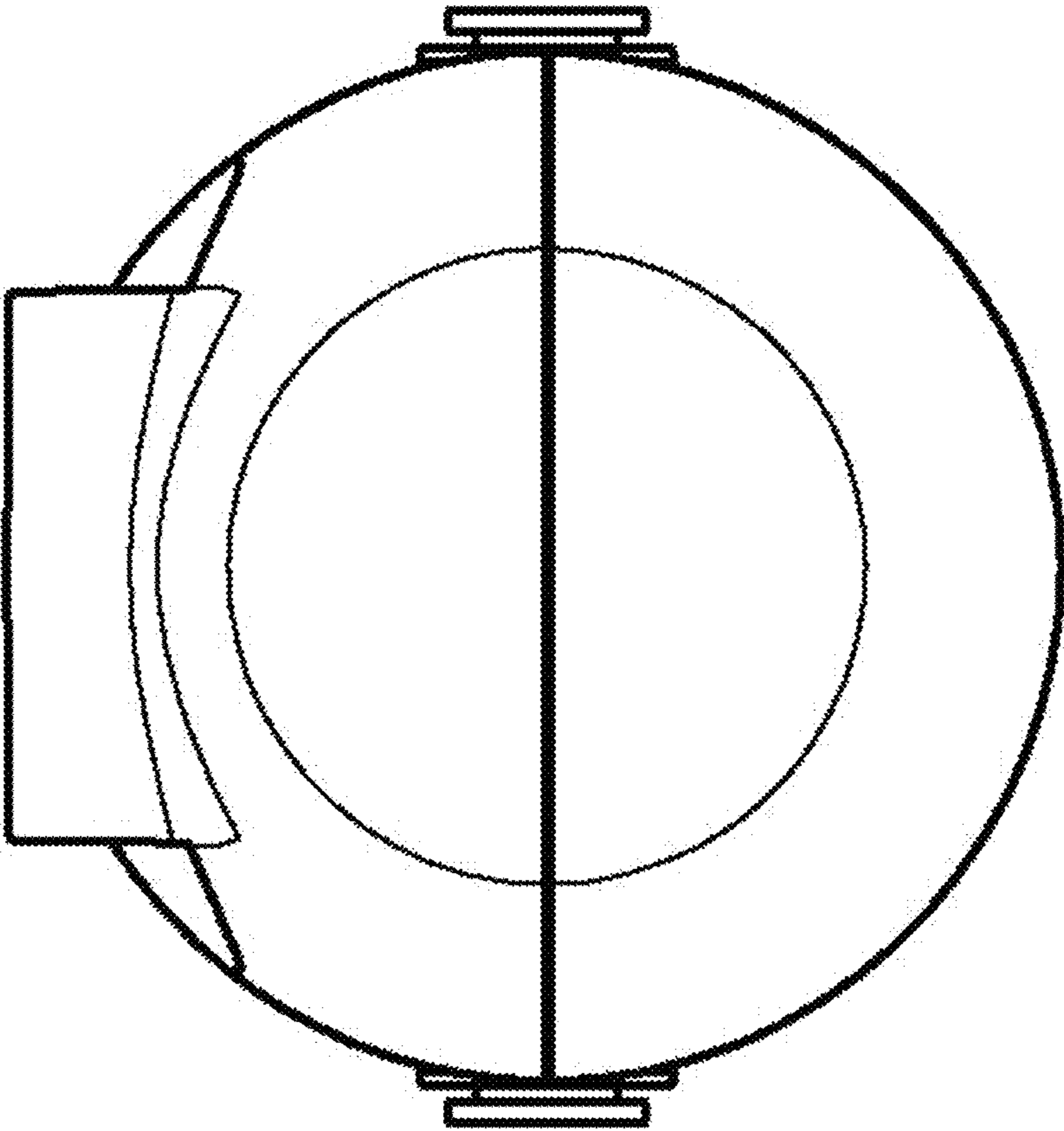


FIG. 6

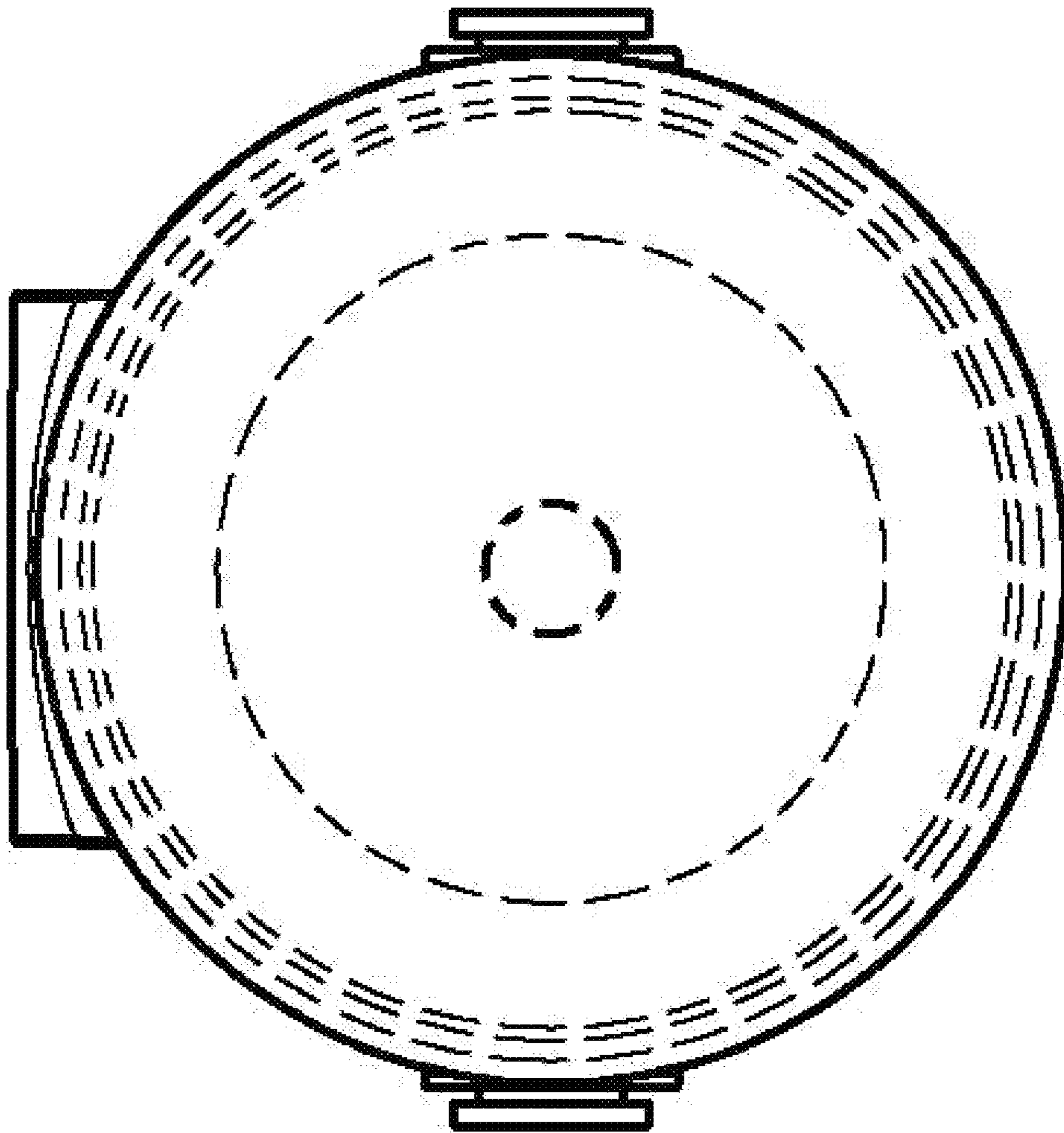


FIG. 7