



US00D827763S

(12) **United States Design Patent** (10) **Patent No.:** **US D827,763 S**  
**Bustamante** (45) **Date of Patent:** **\*\* Sep. 4, 2018**

- (54) **FISH LINE WORM THREADER**
- (71) Applicant: **Benjamin Carl Bustamante**, Greeley, CO (US)
- (72) Inventor: **Benjamin Carl Bustamante**, Greeley, CO (US)
- (\*\*) Term: **15 Years**
- (21) Appl. No.: **29/564,961**
- (22) Filed: **May 17, 2016**
- (51) **LOC (11) Cl.** ..... **22-05**
- (52) **U.S. Cl.**  
USPC ..... **D22/149**
- (58) **Field of Classification Search**  
USPC ..... D22/134, 147, 149, 199; D3/221;  
D8/396  
CPC ..... A01K 97/10; A01K 97/22  
See application file for complete search history.

(56) **References Cited**

**U.S. PATENT DOCUMENTS**

D156,013 S *	11/1949	Knaur	.....	D22/149
D232,234 S *	7/1974	Freed	.....	D22/147
4,658,534 A *	4/1987	McLean	.....	A01K 97/10 248/532
D298,699 S *	11/1988	Glawe	.....	D3/221
D346,424 S *	4/1994	Rusztowicz	.....	D22/149
D449,367 S *	10/2001	Cushman	.....	D22/117
D451,167 S *	11/2001	Metteer	.....	D22/149
D553,221 S *	10/2007	Rustowicz	.....	D22/149

D594,529 S *	6/2009	Rustowicz	.....	D22/149
D595,808 S *	7/2009	Baltes	.....	D22/147
D666,690 S *	9/2012	Leistner	.....	D22/149
2007/0240367 A1 *	10/2007	Brown	.....	A01K 97/10 52/155
2017/0325440 A1 *	11/2017	Montano	.....	A45F 5/02

\* cited by examiner

*Primary Examiner* — Karen S Acker

*Assistant Examiner* — Steven B Reinholdt, Jr.

(74) *Attorney, Agent, or Firm* — Patent Law Offices of Rick Martin, P.C.

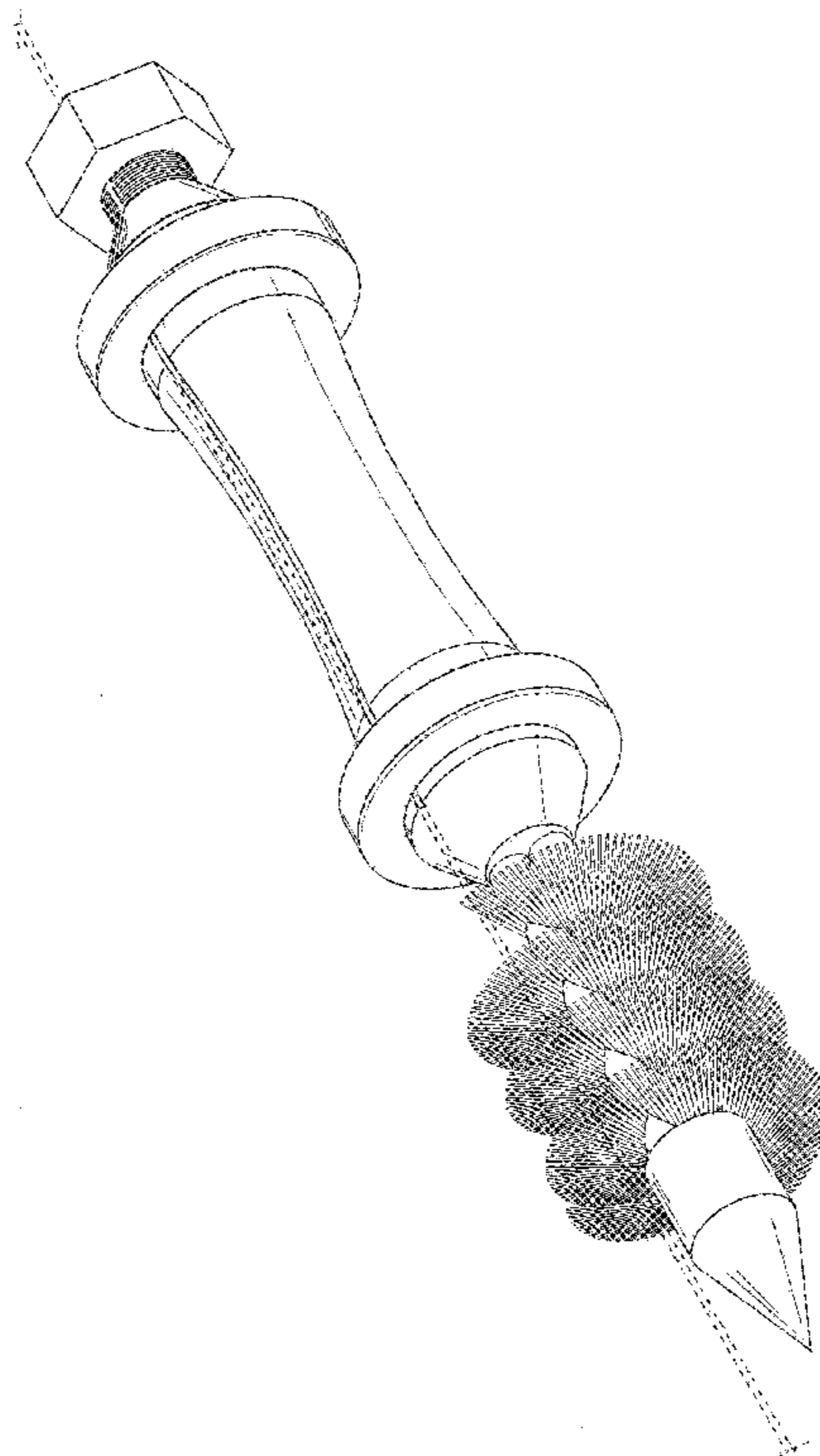
(57) **CLAIM**

The ornamental design for a fish line worm threader, as shown and describe.

**DESCRIPTION**

FIG. 1 is a top perspective view of my new design for a fish line worm threader.  
 FIG. 2 is a front elevation view thereof;  
 FIG. 3 is a back elevation view thereof;  
 FIG. 4 is a left side elevation view thereof;  
 FIG. 5 is a right side elevation view thereof;  
 FIG. 6 is an enlarged top plan view thereof;  
 FIG. 7 is an enlarged bottom plan view thereof;  
 FIG. 8 is an exploded, top perspective view thereof; and,  
 FIG. 9 is a top perspective view in use thereof.  
 The broken lines depicting a fishing line in FIG. 1, and a fishing line, worm and a hook in FIG. 9 illustrate environment that forms no part of the claimed design.

**1 Claim, 5 Drawing Sheets**



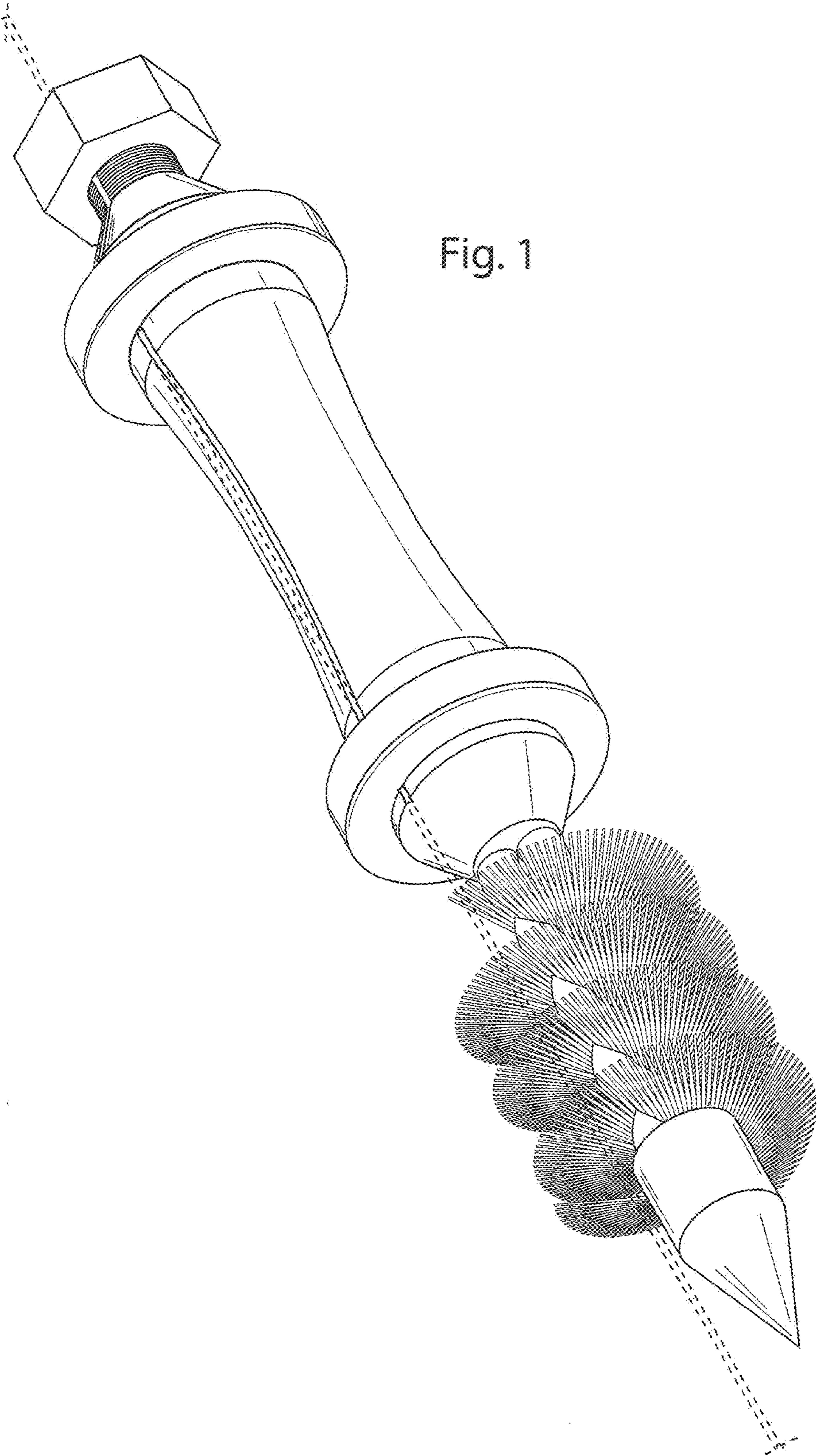


Fig. 2

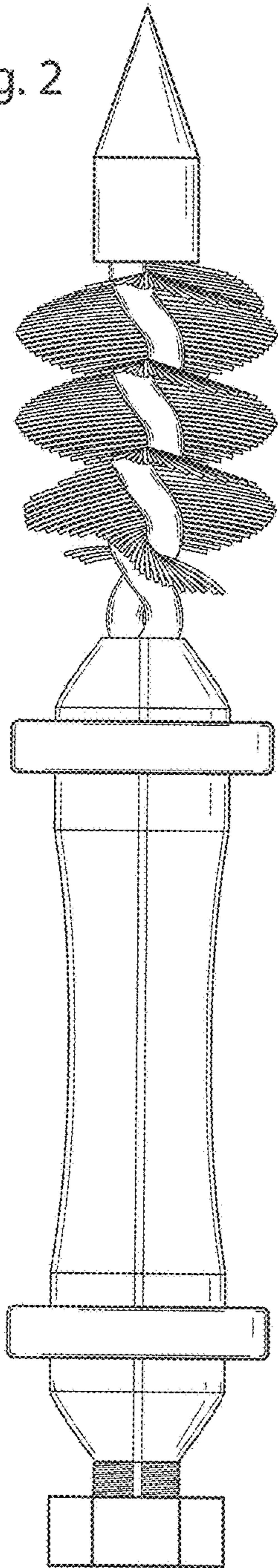


Fig. 3

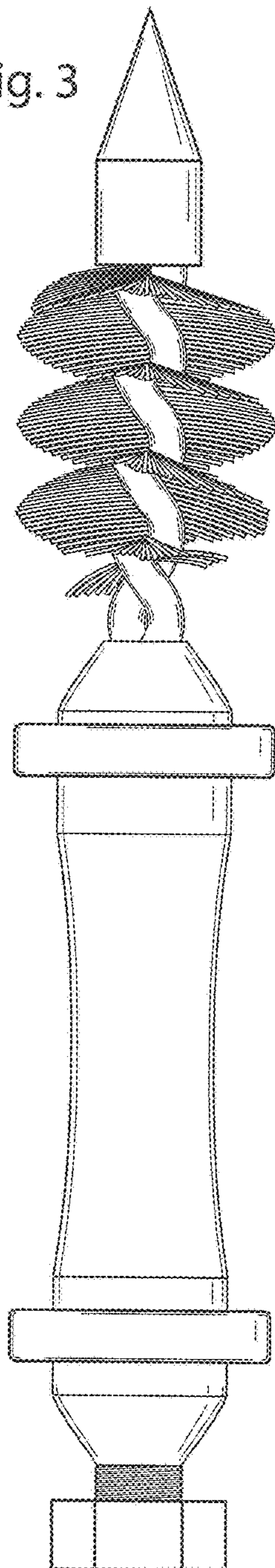
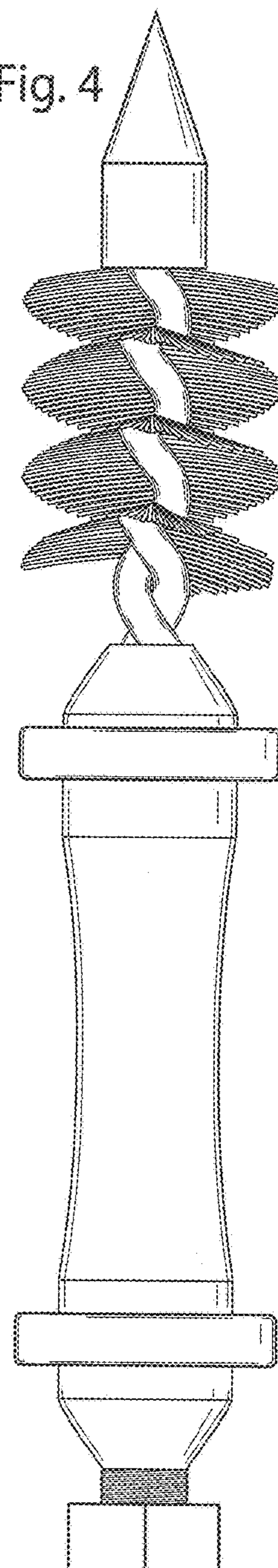


Fig. 4



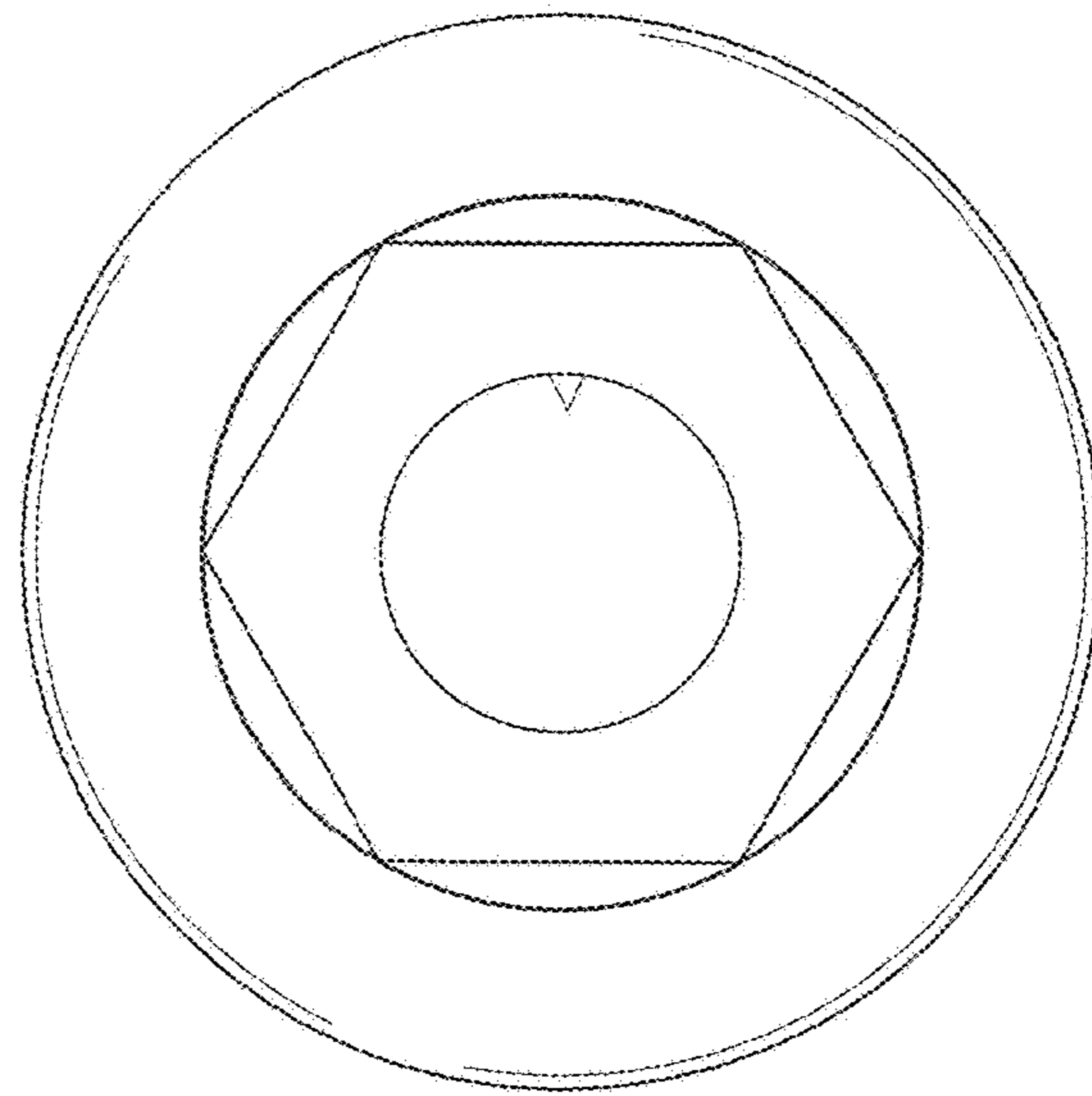
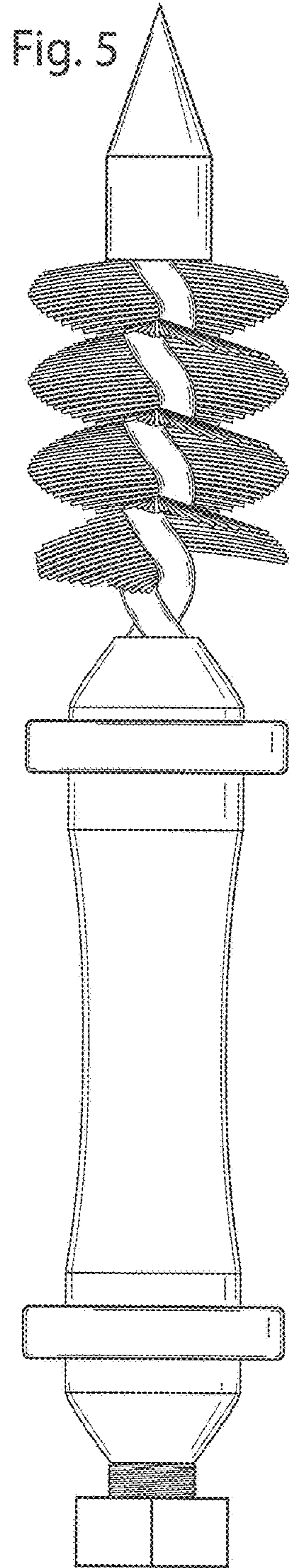


Fig. 6

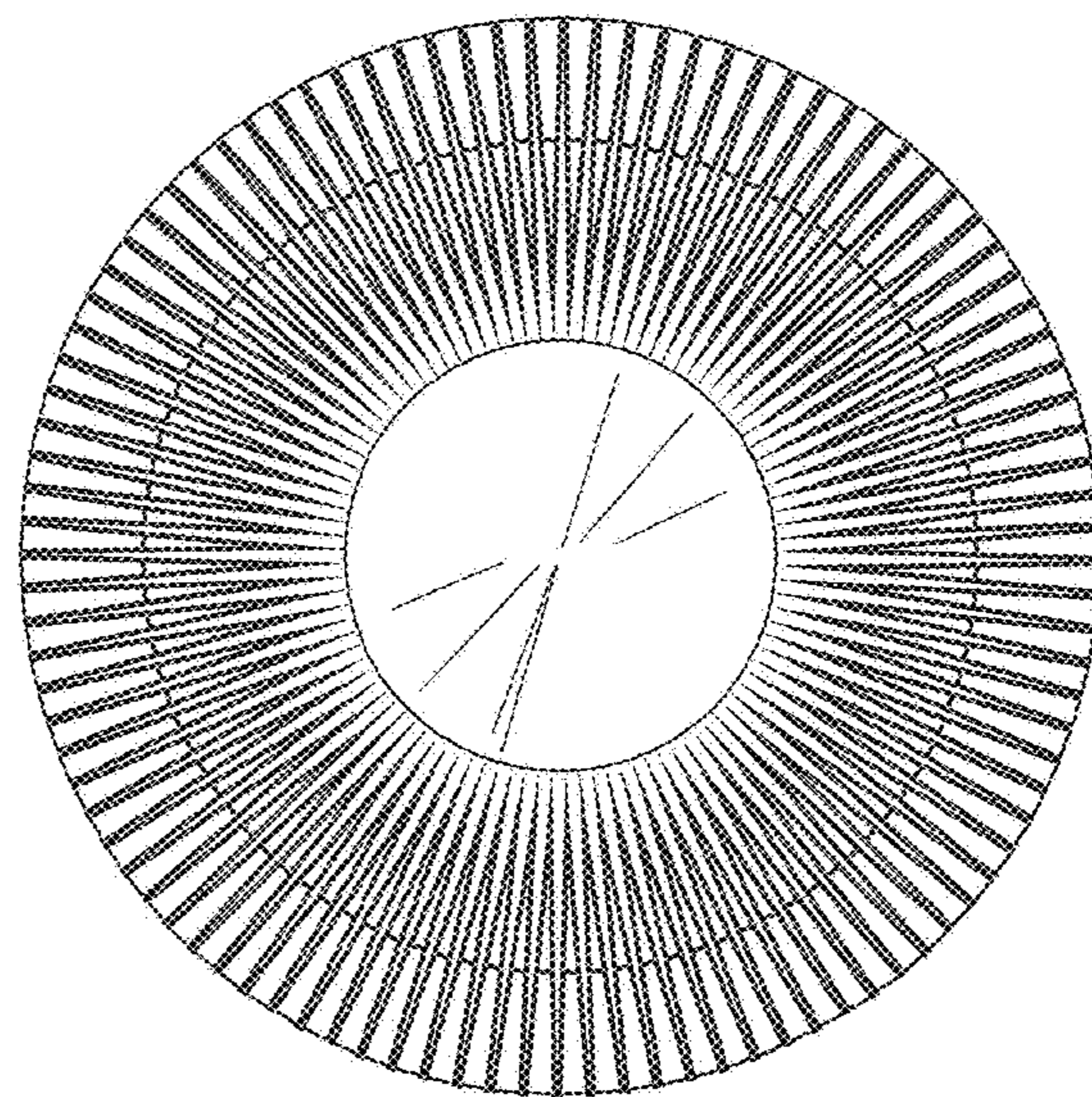


Fig. 7

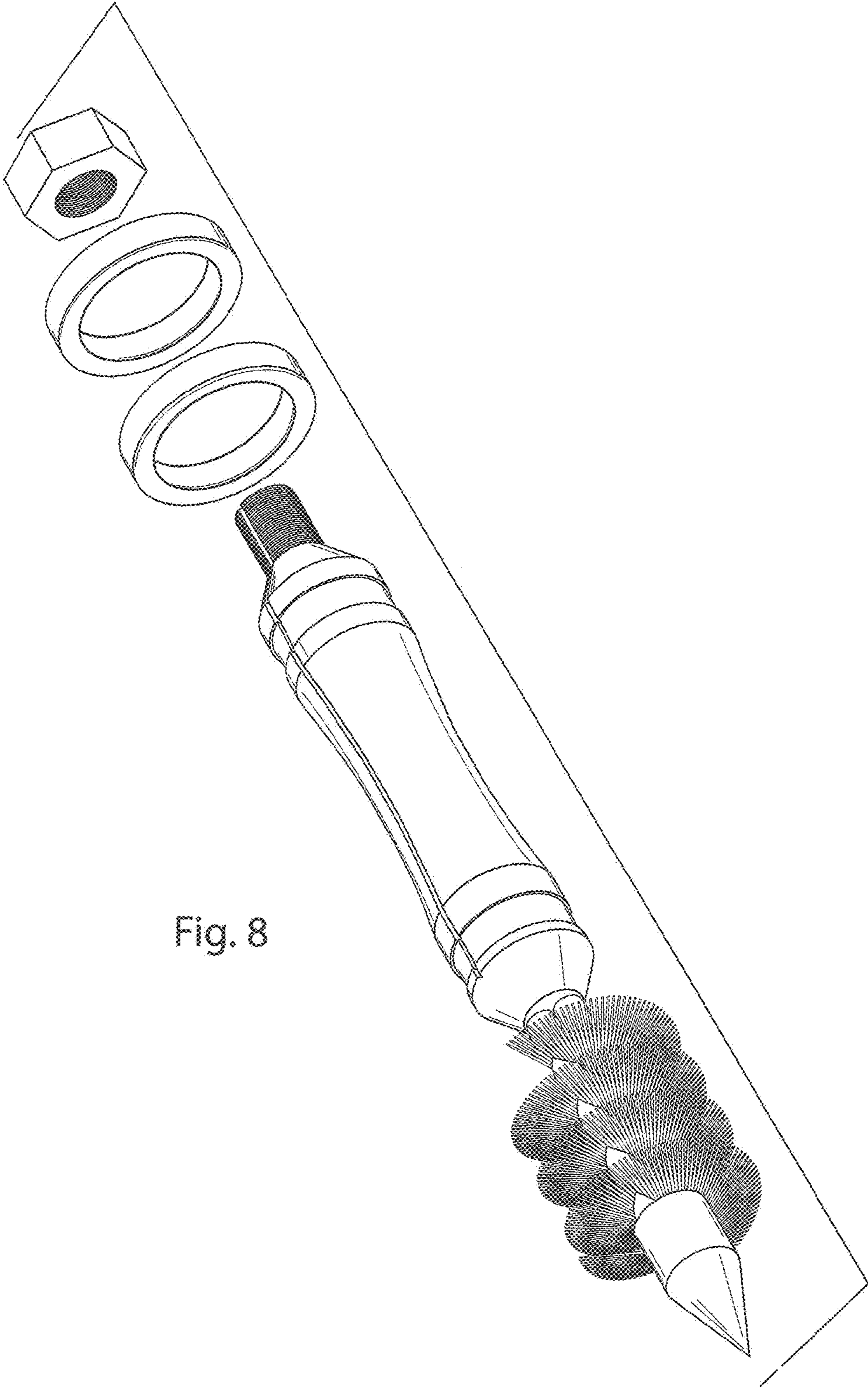


Fig. 8

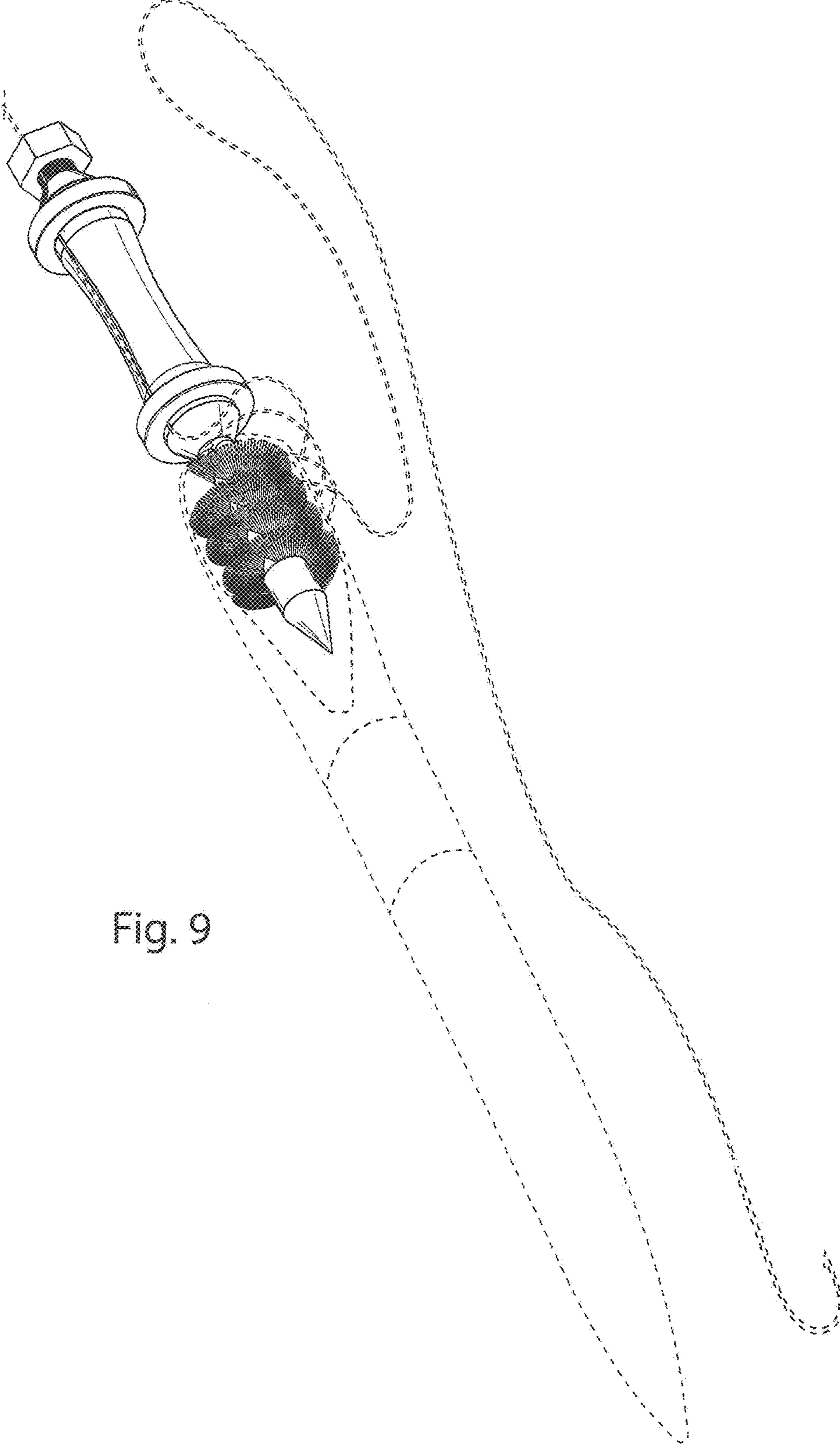


Fig. 9