



US00D827761S

(12) **United States Design Patent** (10) **Patent No.:** **US D827,761 S**
Rumpke (45) **Date of Patent:** **** Sep. 4, 2018**

(54) **CHAMBER FLAG**
(71) Applicant: **Joseph M Rumpke**, Hamilton, OH (US)
(72) Inventor: **Joseph M Rumpke**, Hamilton, OH (US)
(**) Term: **15 Years**
(21) Appl. No.: **29/614,239**
(22) Filed: **Aug. 17, 2017**
(51) **LOC (11) Cl.** **22-01**
(52) **U.S. Cl.**
USPC **D22/108**
(58) **Field of Classification Search**
USPC D20/10, 11, 22-29, 35, 40, 43, 99;
D21/574; D10/106.9, 109.1, 113.4;
D22/108
CPC G09F 1/00; G09F 1/02; G09F 2003/023;
G09F 2003/0261; G09F 2003/0264; G09F
7/00; G09F 3/206; G09F 13/00; G09F
2007/1807; G09F 13/04; G09F
2013/0427; G09F 2013/0495; G09D 3/00;
F41A 17/42; F41A 17/44
See application file for complete search history.

(56) **References Cited**
U.S. PATENT DOCUMENTS
D59,812 S * 11/1921 Brendel D10/109.1
2,997,802 A * 8/1961 Robbins F41A 17/44
42/70.01
4,196,533 A * 4/1980 Kamphausen G09F 3/206
40/645
4,965,952 A * 10/1990 Miller F41A 17/44
42/1.05
5,040,478 A * 8/1991 Hughes A63C 19/062
116/209
5,247,900 A * 9/1993 Sobczak G09F 17/00
116/173
5,311,691 A * 5/1994 Cacek F41A 17/42
42/1.01

D354,084 S * 1/1995 Leighton D20/17
D354,997 S * 1/1995 Arad D21/574
D367,512 S * 2/1996 Whelan, Jr. D21/794
D375,979 S * 11/1996 Adams D20/17
D407,988 S * 4/1999 Freeberg D10/109.1
D501,891 S * 2/2005 Kaplan D20/41
7,228,780 B1 * 6/2007 Thomele F41A 17/42
42/70.01
D557,343 S * 12/2007 Feibelman D20/22
D631,123 S * 1/2011 Byers D22/108
(Continued)

OTHER PUBLICATIONS

Muzlstik Safety Flags [online]. Youtube.com, Feb. 22, 2018 [retrieved on Jul. 5, 2018]. Retrieved from the Internet: <<https://www.youtube.com/watch?v=00RrOK62S1wL>> (Year: 2018).*

Primary Examiner — Mary Ann Calabrese
Assistant Examiner — Sloan Rozin
(74) *Attorney, Agent, or Firm* — Neal O. Willmann

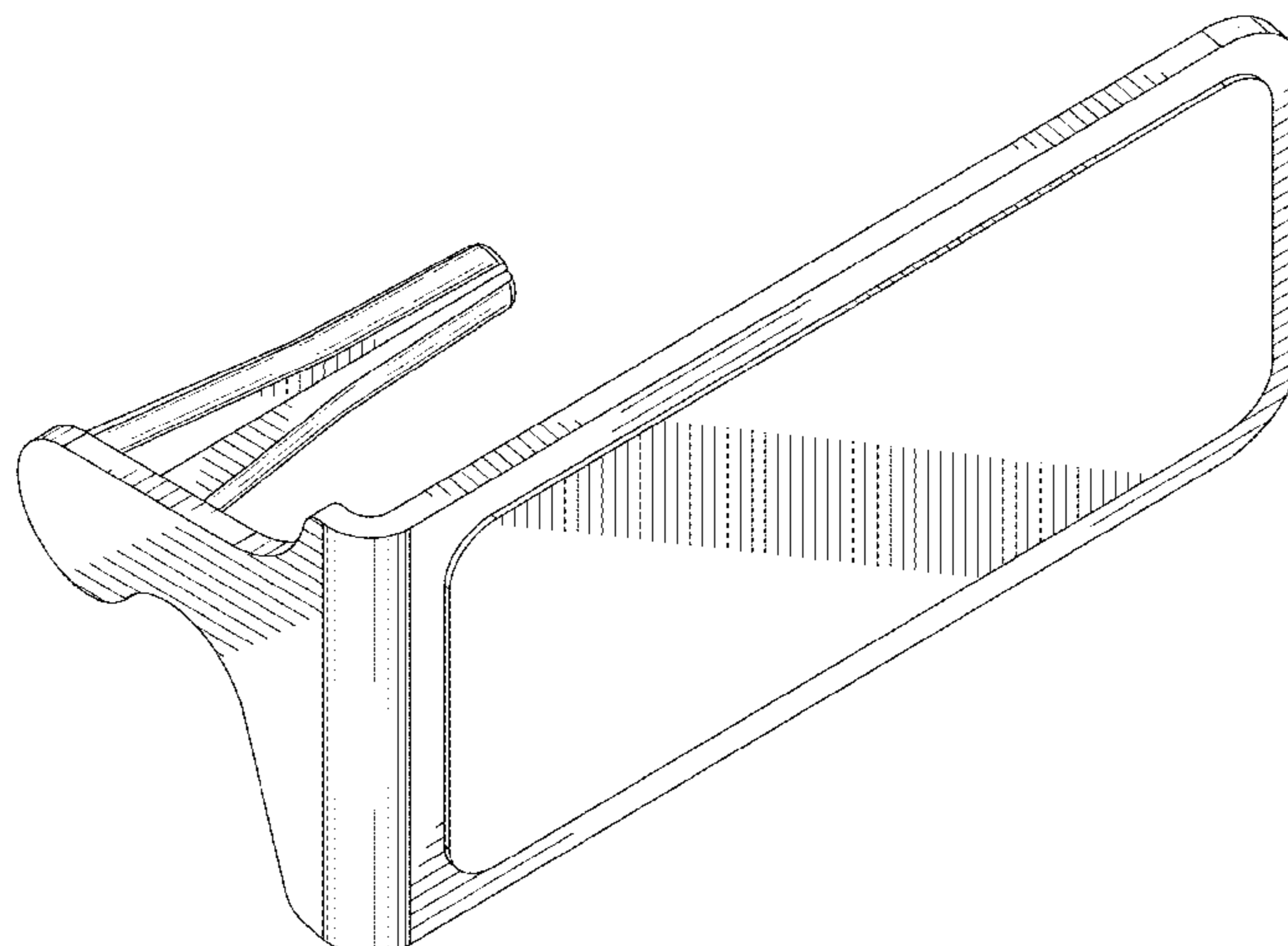
(57) **CLAIM**

The ornamental design for a chamber flag, as shown and described.

DESCRIPTION

FIG. 1 is an elevated perspective view of a chamber flag showing my new design;
FIG. 2 is an elevated perspective view thereof, in its environment;
FIG. 3 is an elevated right side view thereof;
FIG. 4 is an elevated left side view thereof;
FIG. 5 is an elevated back end view thereof;
FIG. 6 is an elevated front end view thereof; and,
FIG. 7 is a top plan view thereof, the bottom plan view being identical.
The broken lines in the drawing are used to illustrate the environment of the chamber flag and form no part of the claimed design.

1 Claim, 7 Drawing Sheets



(56)

References Cited

U.S. PATENT DOCUMENTS

D701,282 S * 3/2014 Ferguson, II D22/108
8,701,324 B1 * 4/2014 Viani F41A 17/42
42/16
D716,407 S * 10/2014 Ferguson, II D22/108
D776,225 S * 1/2017 Gianakos D22/108
D779,016 S * 2/2017 Rumpke D22/108
D781,390 S * 3/2017 Monahan D22/108
D783,759 S * 4/2017 Geissele D22/108
D787,006 S * 5/2017 Sapio D22/108
D787,626 S * 5/2017 Johnson D22/108
D788,871 S * 6/2017 Storch D22/108
D795,987 S * 8/2017 Geissele D22/108
D797,878 S * 9/2017 Wang D22/108
9,816,770 B2 * 11/2017 Sumoba F41A 9/53
D815,711 S * 4/2018 Holm D22/108
2002/0194763 A1 * 12/2002 Olsen F41A 17/44
42/70.11
2004/0159034 A1 * 8/2004 Riebling F41A 17/02
42/70.07
2005/0115131 A1 * 6/2005 Markbreit F41A 17/44
42/70.11
2006/0101692 A1 * 5/2006 Falenwolfe F41A 9/26
42/19
2006/0185658 A1 * 8/2006 Stevens F41A 17/44
124/80
2014/0338243 A1 * 11/2014 La Vigne F41A 35/06
42/16
2017/0322004 A1 * 11/2017 Kuchman F42C 19/083

* cited by examiner

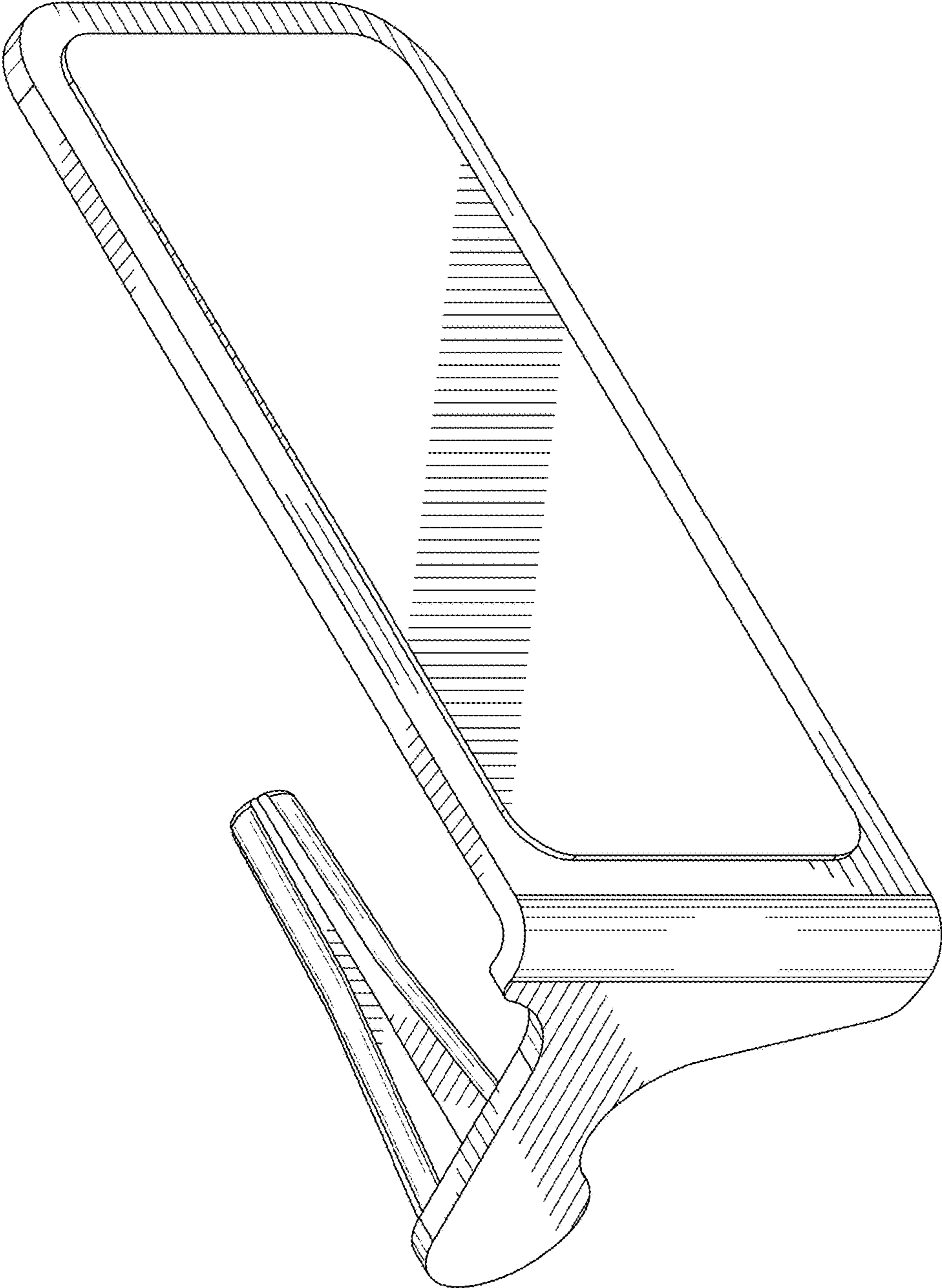


Fig. 1

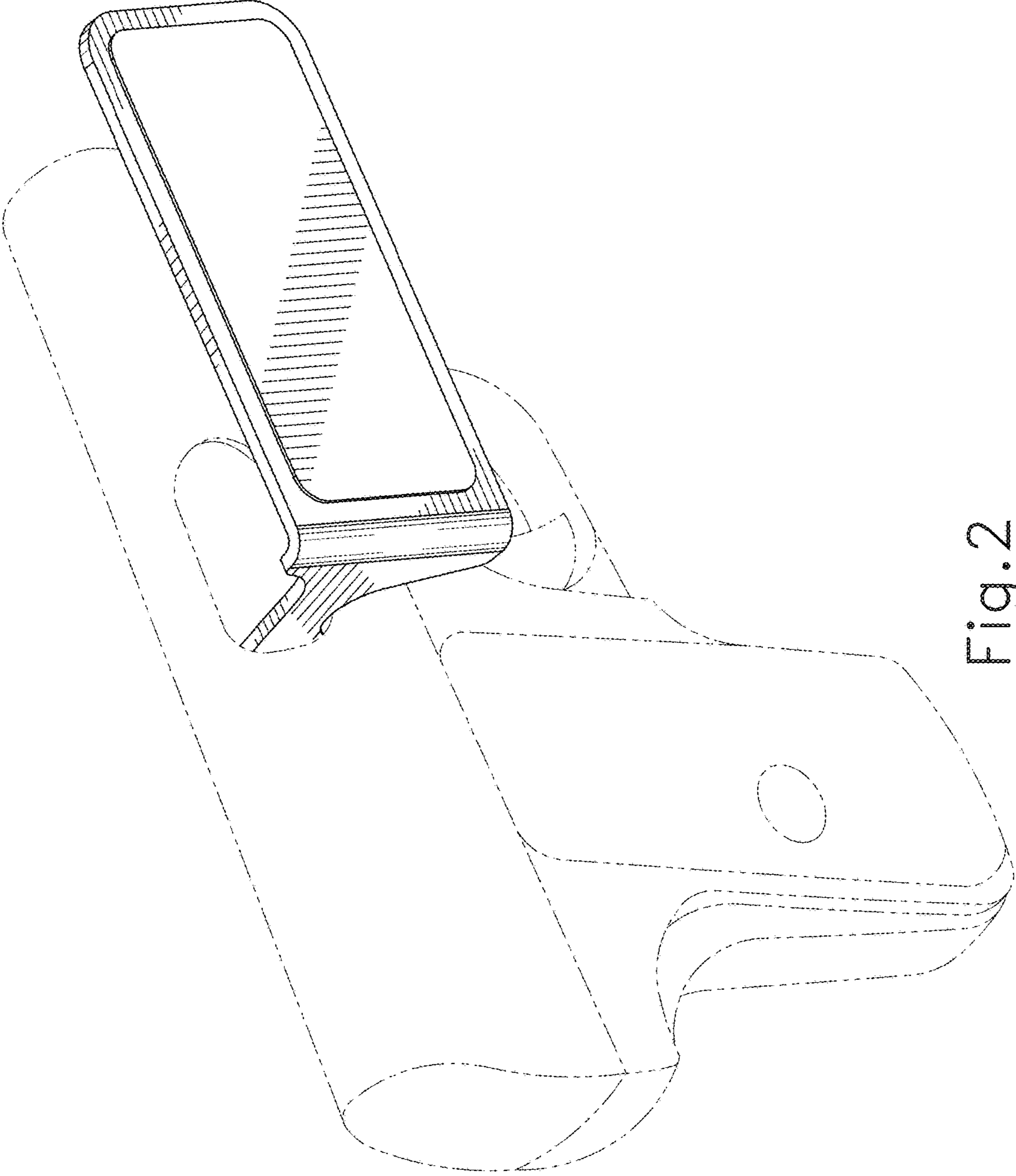


Fig. 2

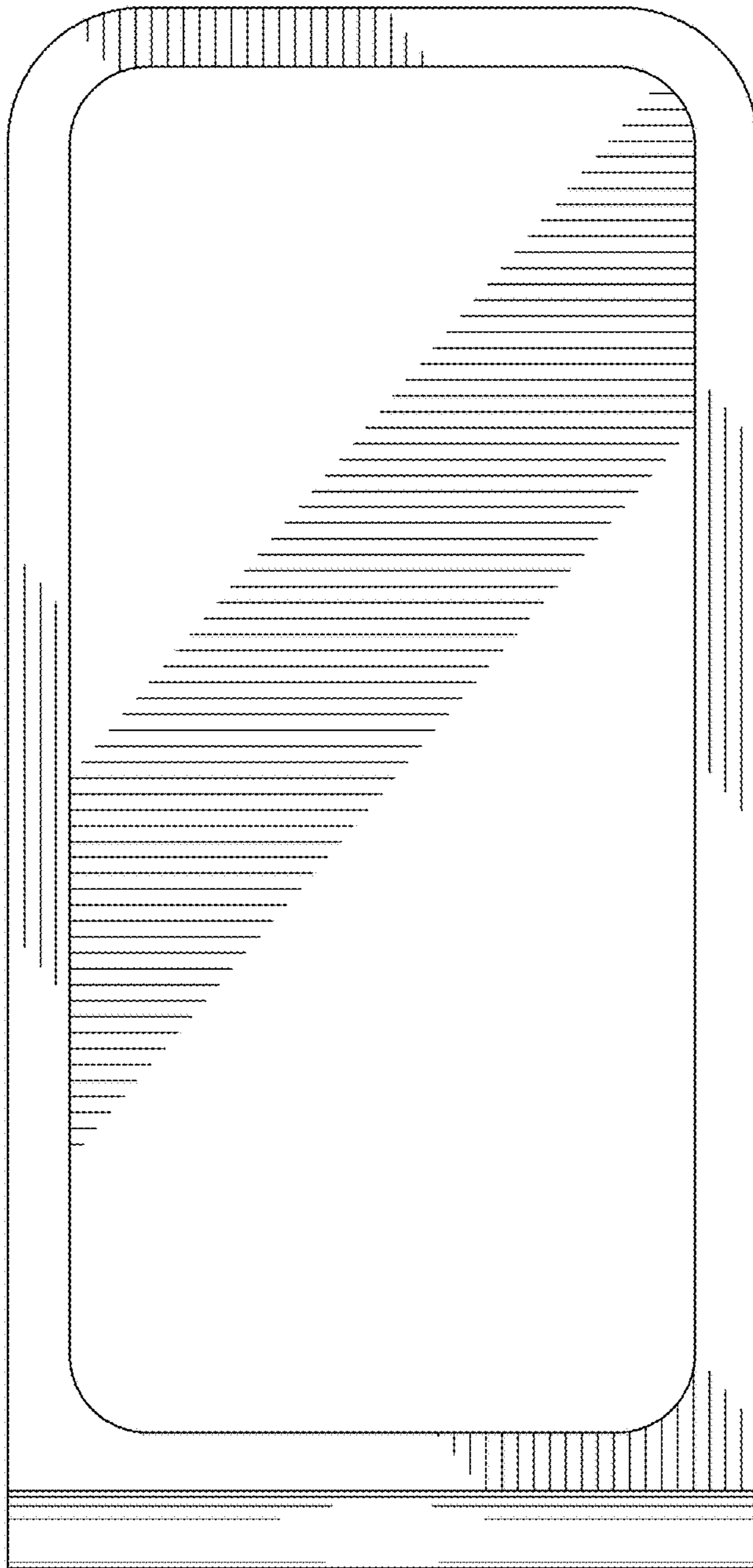


Fig. 3

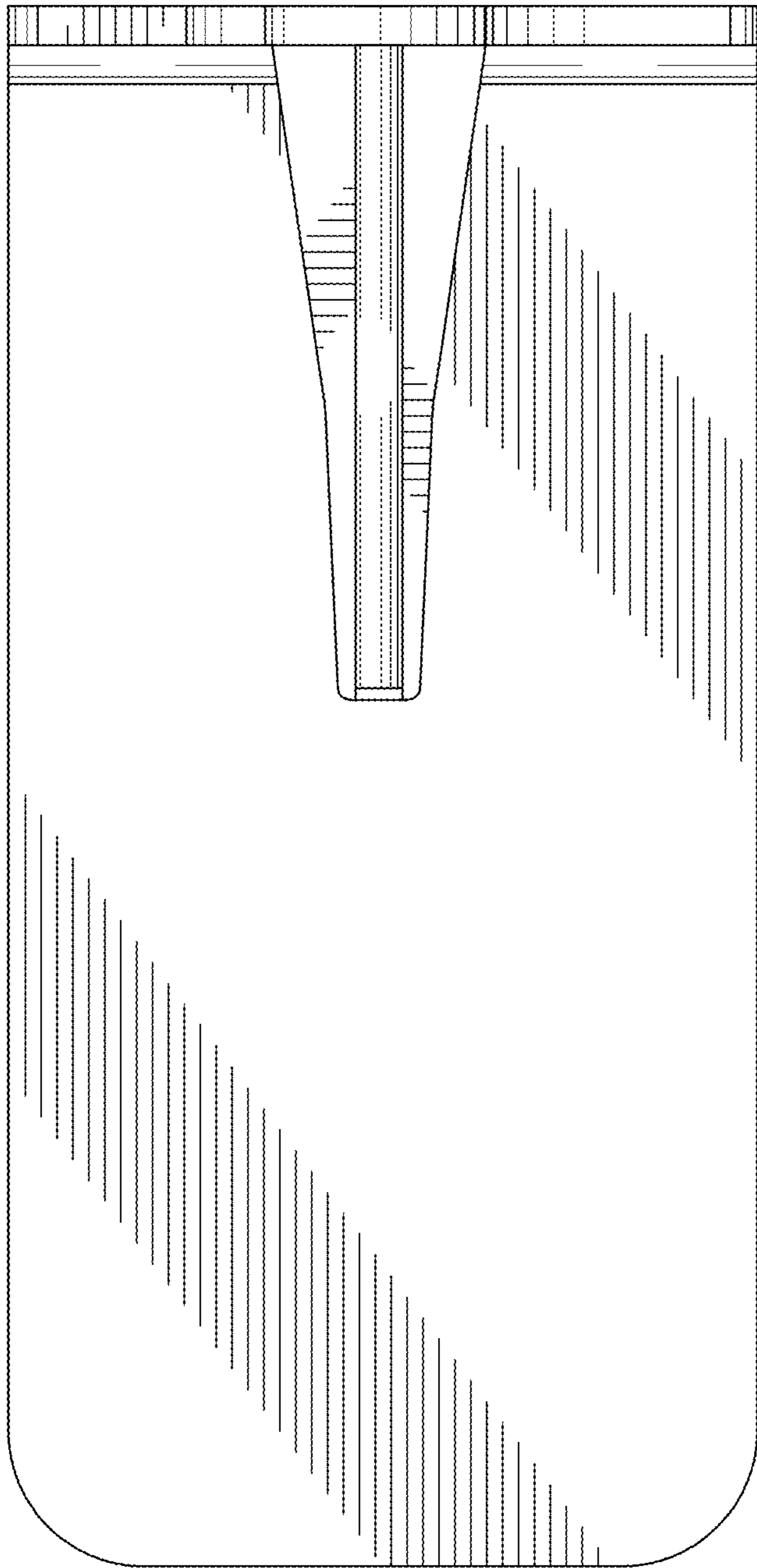


Fig. 4

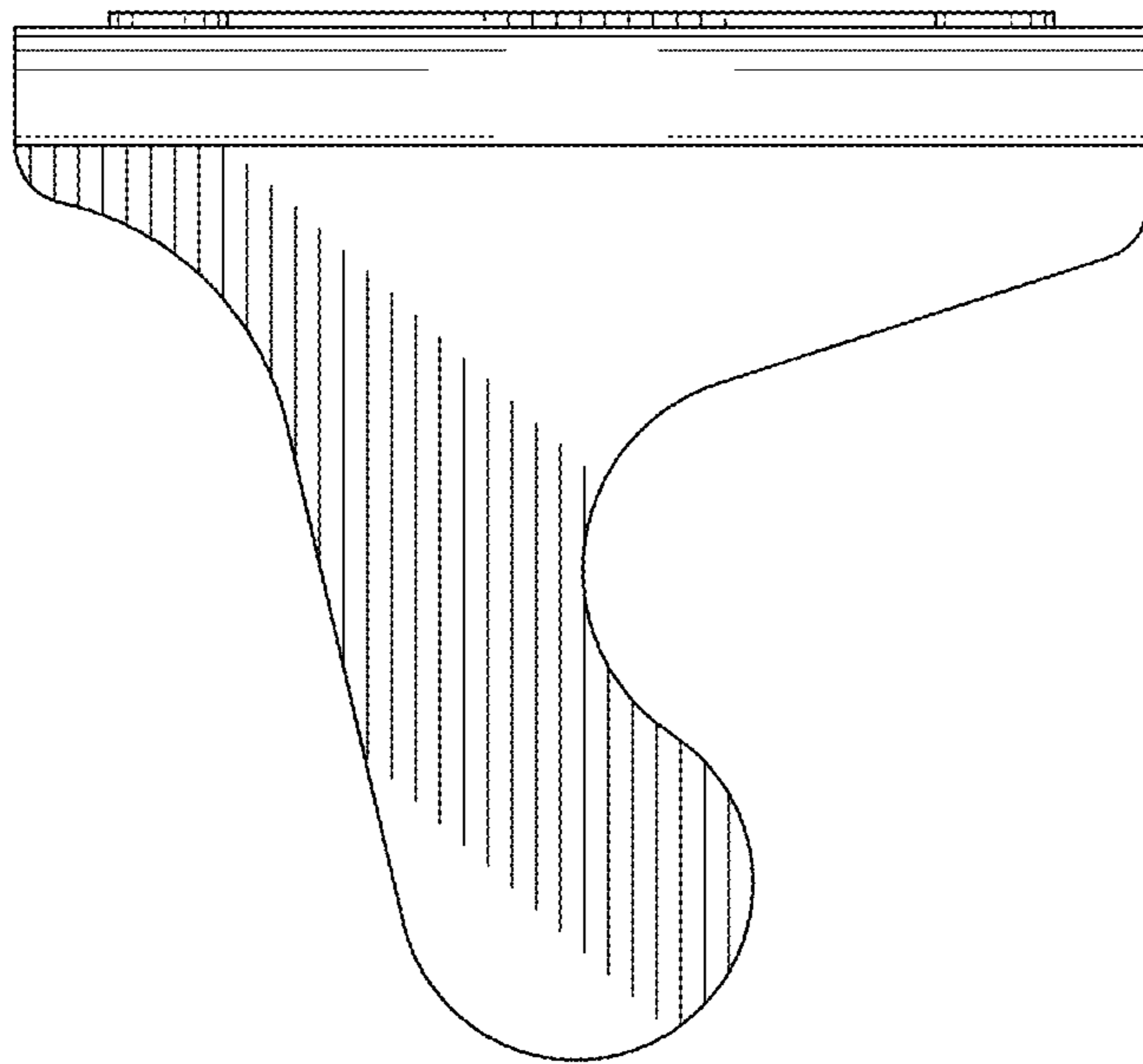


Fig. 5

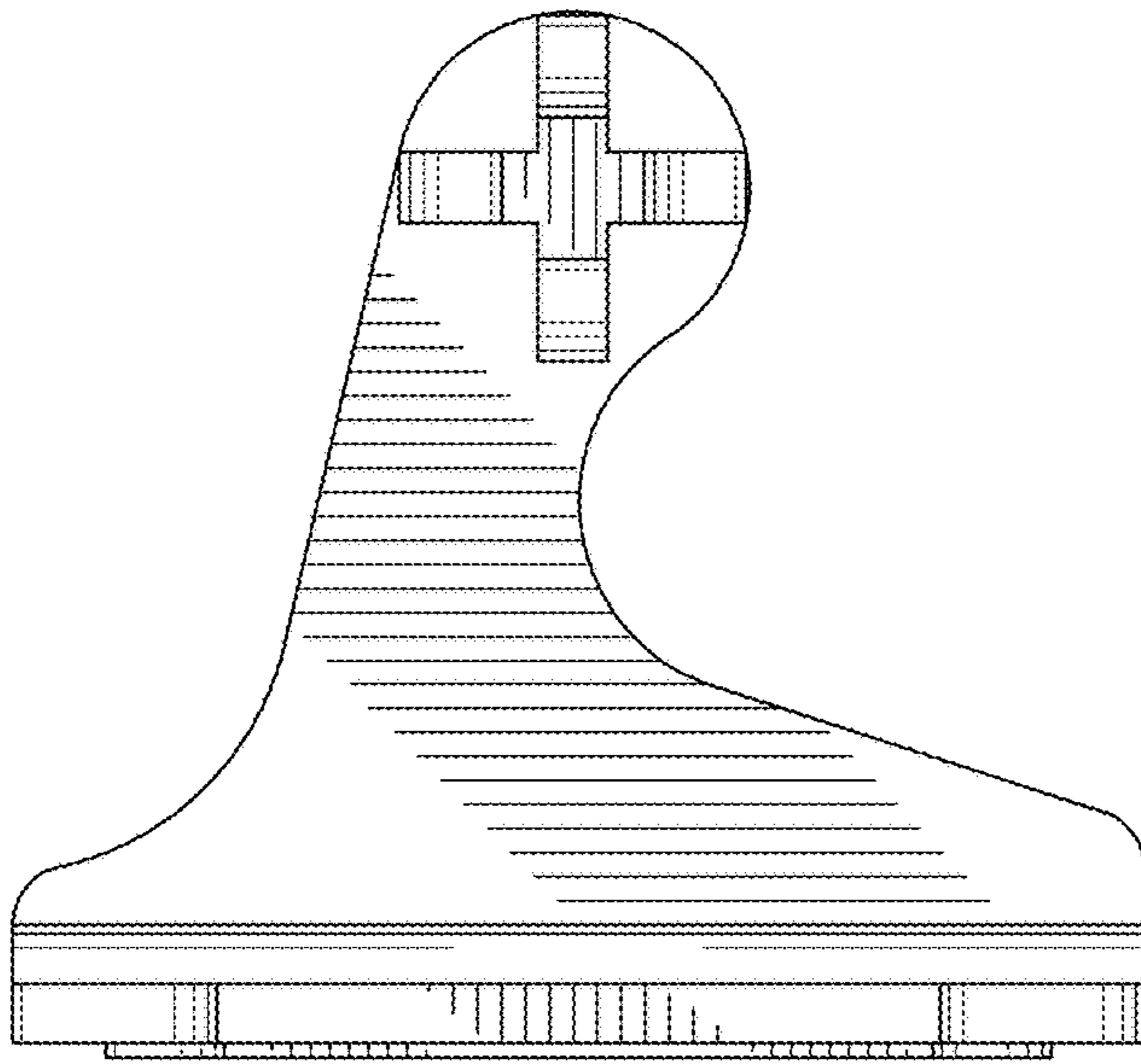


Fig. 6

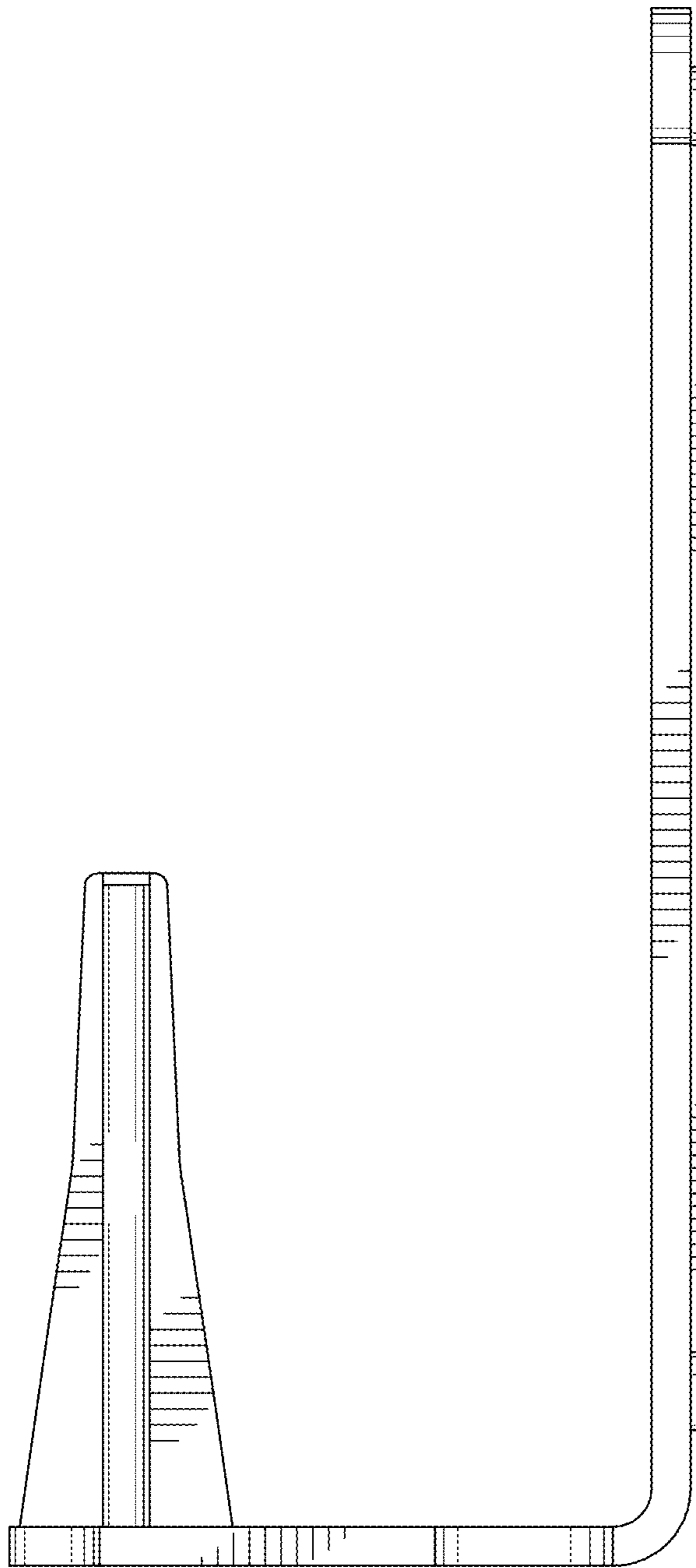


Fig. 7