



US00D827760S

(12) **United States Design Patent** (10) **Patent No.:** **US D827,760 S**
Hiler, Jr. et al. (45) **Date of Patent:** **** Sep. 4, 2018**

- (54) **FIREARM UPPER**
- (71) Applicant: **Spec Tool Company**, Sparta, MI (US)
- (72) Inventors: **Lee B. Hiler, Jr.**, Comstock Park, MI (US); **Tadd Richard Woodard**, Howard City, MI (US); **David McClaran Riser, II**, Ada, MI (US)
- (73) Assignee: **Spec Arms LLC**, Sparta, MI (US)
- (**) Term: **15 Years**
- (21) Appl. No.: **29/607,787**
- (22) Filed: **Jun. 16, 2017**
- (51) **LOC (11) Cl.** **22-01**
- (52) **U.S. Cl.**
USPC **D22/108**
- (58) **Field of Classification Search**
USPC D22/108, 100, 101, 103, 105, 109, 110;
D21/572-575; D14/418, 124, 125, 126,
D14/127, 128, 10, 83, 85, 86, 87, 90,
D14/113, 117, 141, 75.01, 75.02, 75.03,
D14/75.05, 50, 51, 71.01, 94, 106;
362/110
CPC F41C 7/00; F41C 7/11; F41C 7/12; F41C
23/10; F41C 23/14; F41C 23/16; F41C
23/18; F41C 23/00; F41C 27/00; F41C
27/06; F41A 5/18; F41A 5/24; F41A
21/28
See application file for complete search history.

- (56) **References Cited**
- U.S. PATENT DOCUMENTS
- | | | | | |
|--------------|---------|--------------------|-------|---------|
| D285,236 S * | 8/1986 | Brunton | | D22/108 |
| 5,519,954 A | 5/1996 | Garrett | | |
| D603,011 S | 10/2009 | Fitzpatrick et al. | | |
| D631,933 S * | 2/2011 | Thompson | | D22/108 |
| D636,832 S | 4/2011 | Mayberry et al. | | |
| D645,532 S | 9/2011 | Peterson et al. | | |

- | | | | | |
|--------------|---------|-------------|-------|---------|
| 8,087,194 B1 | 1/2012 | Vuksanovich | | |
| D689,974 S | 9/2013 | Sharps | | |
| D709,582 S | 7/2014 | Geissele | | |
| D713,483 S * | 9/2014 | Firpo, I | | D22/108 |
| D717,904 S * | 11/2014 | Oglesby | | D22/108 |
| D720,032 S * | 12/2014 | Boutin | | D22/108 |
- (Continued)

OTHER PUBLICATIONS

AR-15 Alpha-Hunter, SpecArmsllc.com, [online], [site visited Mar. 16, 2018]. <URL: <https://www.specarmsllc.com/product-page/ar-15-alpha-hunter-specials>> (Year: 2018).*

(Continued)

Primary Examiner — T Chase Nelson
Assistant Examiner — Jonathan J. Han
(74) *Attorney, Agent, or Firm* — Warner Norcross + Judd LLP

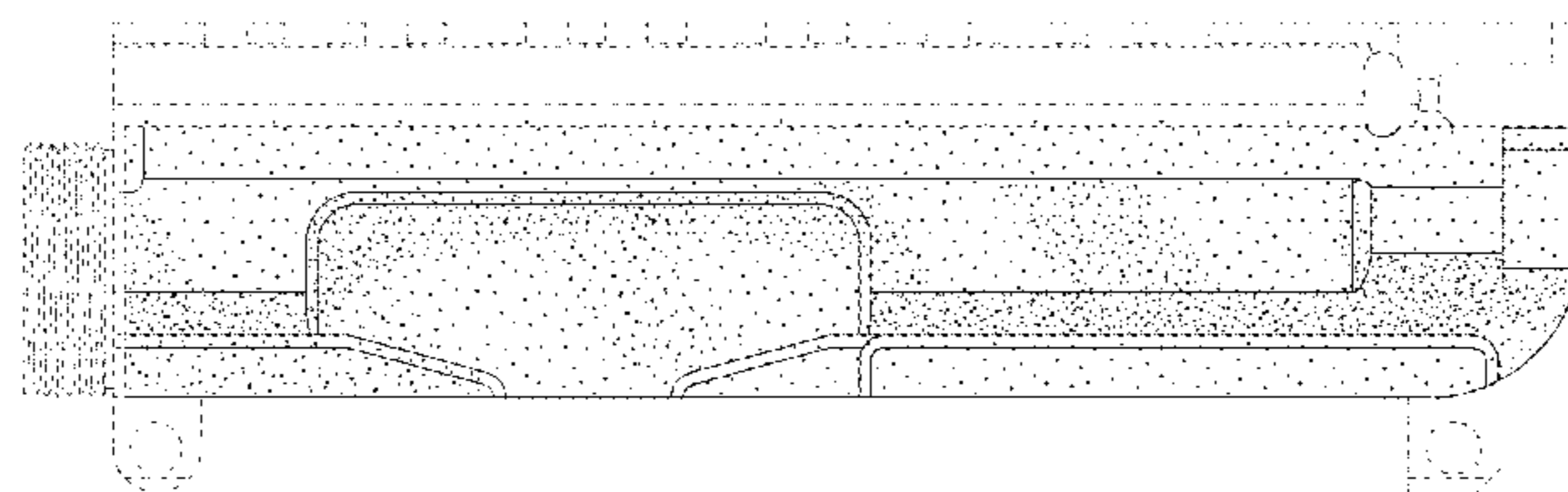
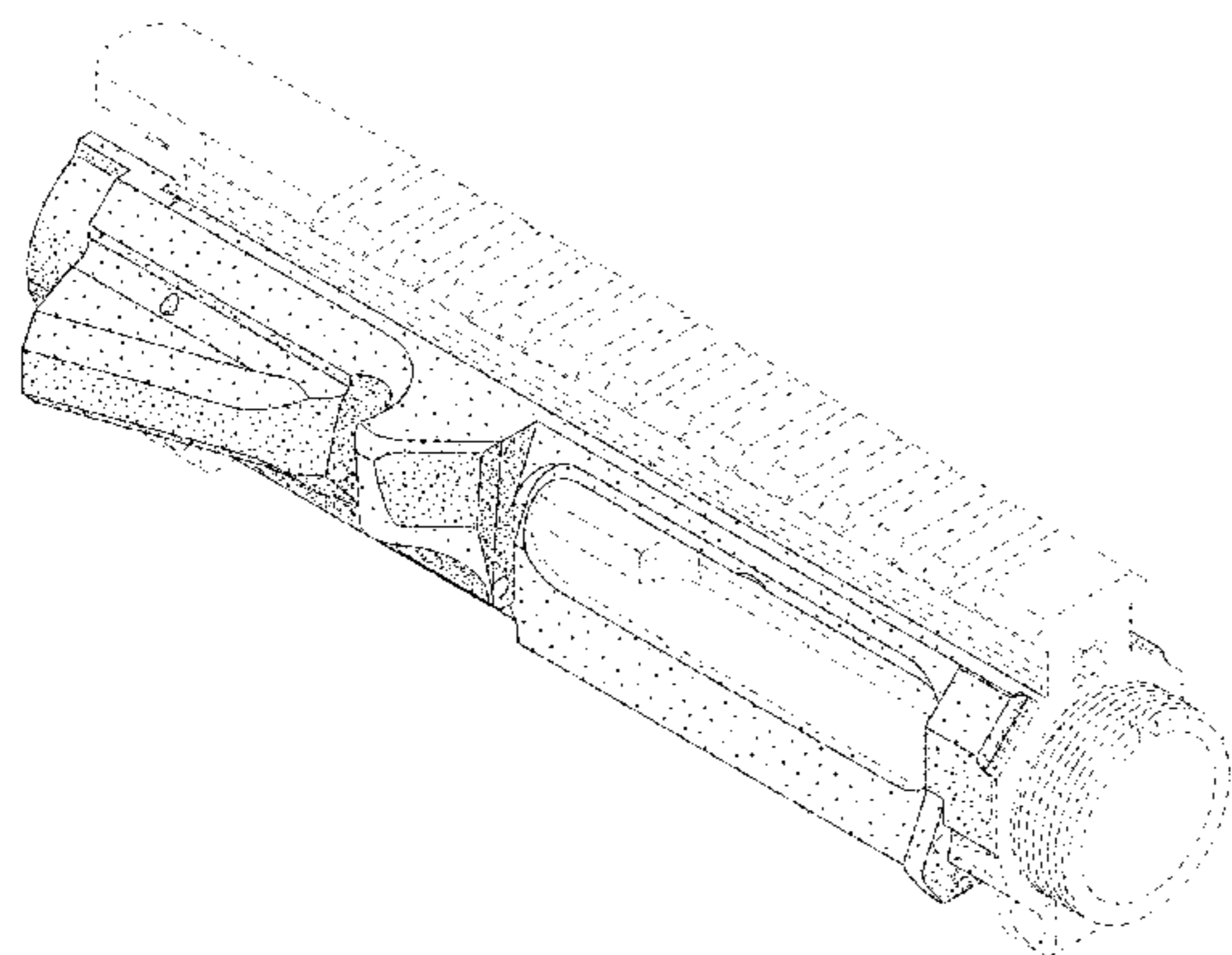
(57) **CLAIM**

The ornamental design for firearm upper, as shown and described.

DESCRIPTION

FIG. 1 is a perspective view of the firearm upper embodying the new design;
FIG. 2 is a left side view thereof;
FIG. 3 is a right side view thereof;
FIG. 4 is a top view thereof;
FIG. 5 is a bottom view thereof;
FIG. 6 is a front view thereof; and,
FIG. 7 is a rear view thereof.
FIGS. 1-7 show features of a firearm upper in broken lines. These features are shown for environmental purposes and do not form any part of the claimed design. The broken lines immediately adjacent the solid line portions of the design form the boundary of the design, with the broken lines forming no part of the claimed design.

1 Claim, 4 Drawing Sheets



(56)

References Cited

U.S. PATENT DOCUMENTS

D720,421 S 12/2014 Chen
 8,910,406 B1* 12/2014 Huang F41A 3/66
 42/16
 8,984,794 B1 3/2015 Saur
 D726,862 S 4/2015 Crume, Sr.
 D726,863 S 4/2015 Crume, Sr.
 D727,454 S 4/2015 Robinson et al.
 D733,827 S 7/2015 Serbu
 9,151,555 B1* 10/2015 Huang F16B 15/02
 9,194,638 B2 11/2015 Larson, Jr. et al.
 D745,621 S* 12/2015 Huang D22/108
 9,217,618 B1 12/2015 Miller, III
 D746,936 S 1/2016 Huang
 D747,428 S 1/2016 Chen
 D748,754 S 2/2016 Chastain
 D752,170 S* 3/2016 Koutn D22/108
 D752,171 S 3/2016 Chen
 9,303,949 B1* 4/2016 Oglesby F41A 3/66
 D755,338 S 5/2016 Slank
 D760,860 S* 7/2016 Vincent D22/108
 9,389,031 B2 7/2016 Gardner
 D763,397 S* 8/2016 Huang D22/108
 D765,211 S 8/2016 Huang
 D770,001 S 10/2016 Nicklos et al.
 D773,585 S 12/2016 Miller, III
 9,523,557 B2* 12/2016 Sharron F41G 11/003
 9,523,558 B2* 12/2016 Visinski F41C 27/00
 9,528,793 B1* 12/2016 Oglesby F41C 23/16
 9,534,859 B2 1/2017 Battaglia et al.
 9,574,852 B1 2/2017 McKillips et al.
 D782,596 S 3/2017 Angstadt et al.
 D782,597 S* 3/2017 Angstadt D22/108
 9,599,439 B1 3/2017 Sylvester
 D787,003 S 5/2017 Spector et al.
 D787,004 S 5/2017 Spector et al.
 D787,005 S* 5/2017 Capps D22/108
 9,658,020 B2 5/2017 Daniel et al.
 D790,029 S 6/2017 Geissele
 9,702,652 B1 7/2017 Jackson
 D795,379 S* 8/2017 Frederickson D22/108
 D795,983 S 8/2017 Cross
 D795,984 S 8/2017 Frederickson et al.
 D795,986 S 8/2017 Frederickson et al.
 9,733,030 B2 8/2017 Daniel et al.
 9,791,239 B1 10/2017 Kinzel et al.
 9,829,272 B2* 11/2017 Brown F41C 23/04
 D805,154 S 12/2017 Steele et al.
 9,851,083 B2 12/2017 Pinilla
 2005/0183317 A1 8/2005 Finn
 2010/0186582 A1 7/2010 Juarez
 2010/0281736 A1 11/2010 Mayberry et al.
 2010/0319231 A1 12/2010 Stone et al.
 2011/0173867 A1 7/2011 Young
 2012/0174451 A1* 7/2012 Overstreet F41A 3/12
 42/16
 2012/0216439 A1 8/2012 Barrett et al.
 2012/0260793 A1 10/2012 Gomez
 2013/0219763 A1* 8/2013 Nunes F41A 3/66
 42/16
 2013/0227871 A1 9/2013 Stone

2014/0075804 A1 3/2014 Langevin et al.
 2014/0115938 A1 5/2014 Jarboe
 2014/0115939 A1 5/2014 Troy et al.
 2014/0130390 A1 5/2014 Geissele
 2014/0165439 A1* 6/2014 Fernandez F41A 17/38
 42/6
 2014/0224235 A1 8/2014 Liao
 2014/0331535 A1 11/2014 Robinson et al.
 2014/0352191 A1* 12/2014 Fritz F41A 5/18
 42/75.03
 2015/0007476 A1 1/2015 Dextraze
 2015/0153125 A1 6/2015 Lutton et al.
 2015/0345879 A1* 12/2015 Jen F41A 3/66
 42/75.01
 2015/0354912 A1 12/2015 Miller, III
 2015/0362270 A1* 12/2015 Stewart F41A 3/72
 42/16
 2016/0084601 A1 3/2016 Alicea, Jr.
 2016/0273857 A1 9/2016 Pettit et al.
 2017/0160032 A1 6/2017 Overstreet et al.
 2017/0307321 A1 10/2017 DeSomma

OTHER PUBLICATIONS

AR-15 Alpha-Defender, SpecArmsllc.com, [online], [site visited Mar. 16, 2018]. <URL: <https://www.specarmsllc.com/product-page/ar-15-alpha-defender-specials>> (Year: 2018).*

Rainier Arms Forged Mil-Spec Upper Receiver, RainierArms.com, [online], [site visited Mar. 16, 2018]. <URL: <https://www.rainierarms.com/rainier-arms-forged-mil-spec-upper-receiver/>> (Year: 2018).*

AR15 Stripped Upper Receiver, No M4 Feedramps, AeroPrecisionUSA.com, [online], [site visited Mar. 16, 2018]. <URL: <https://aeroprecisionusa.com/ar15-stripped-upper-receiver-no-m4-feedramps.html>> (Year: 2018).*

AT3 Tactical article the 7 Things to Look for in an AR-15 Handguard downloaded from <https://www.at3tactical.com/blogs/news/9243847-the-7-things-to-look-for-in-an-ar-15-handguard> on Jun. 13, 2017.

Battle Arms Development AR-15 BAD556-LW Receiver Set, RainierArms.com, [online], [site visited Mar. 16, 2018]. <URL: <https://www.rainierarms.com/battle-arms-development-bad556-lw-receiver-set/>> (Year: 2018).

AR-15 Alpha-Hunter, SpecArmsllc.com, [online], [site visited Mar. 27, 2018]. <URL: <https://www.specarnnslc.com/product-page/ar-15-alpha-hunter-specials>> (Year: 2018).

AR-15 Alpha-Defender, SpecArmsllc.com, [online], [site visited Mar. 27, 2018]. <URL: <https://www.specarnnslc.com/product-page/ar-15-alpha-defender-specials>> (Year: 2018).

Midwest Industries AR-15 G3 M-Series Free Float Extended Handguard 17.5" Length M-LOK, AeroSpaceArms.com, [online], [site visited Mar. 27, 2018]. <URL: <https://aerospacearns.com/nnidwest-industries-ar-15-g3-m-series-free-float-extended-handguard-17-5-length-m-lok-aluminum-black/>> (Year: 2018).

UTG PRO AR-15 15" Flat Dark Earth Super Slim Free Float Handguard, LApoliceGear.com, [online], [site visited Mar. 27, 2018]. < URL: <https://www.lapolicygear.com/utg-nttu019ssd.html>> (Year: 2018).

* cited by examiner

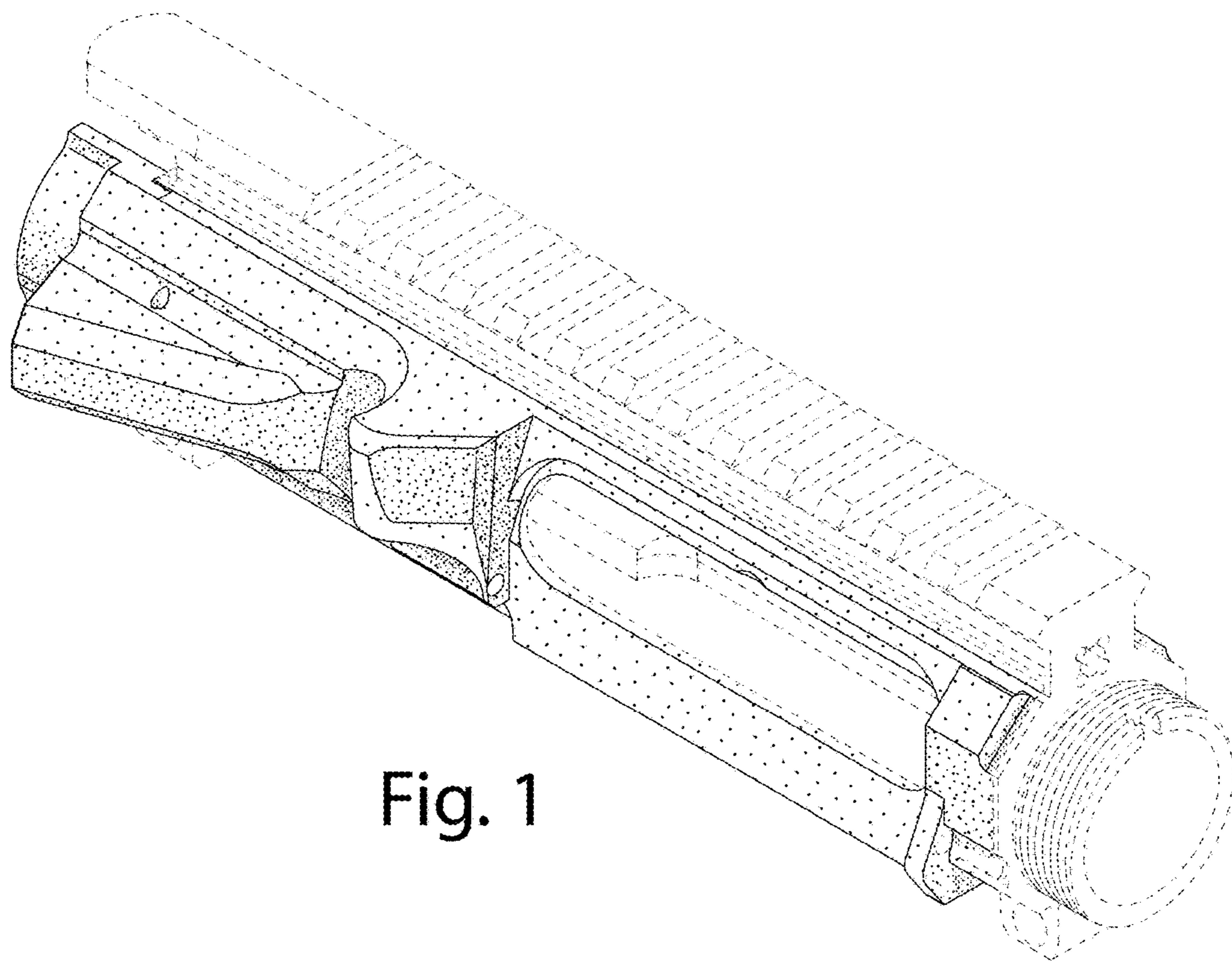


Fig. 1

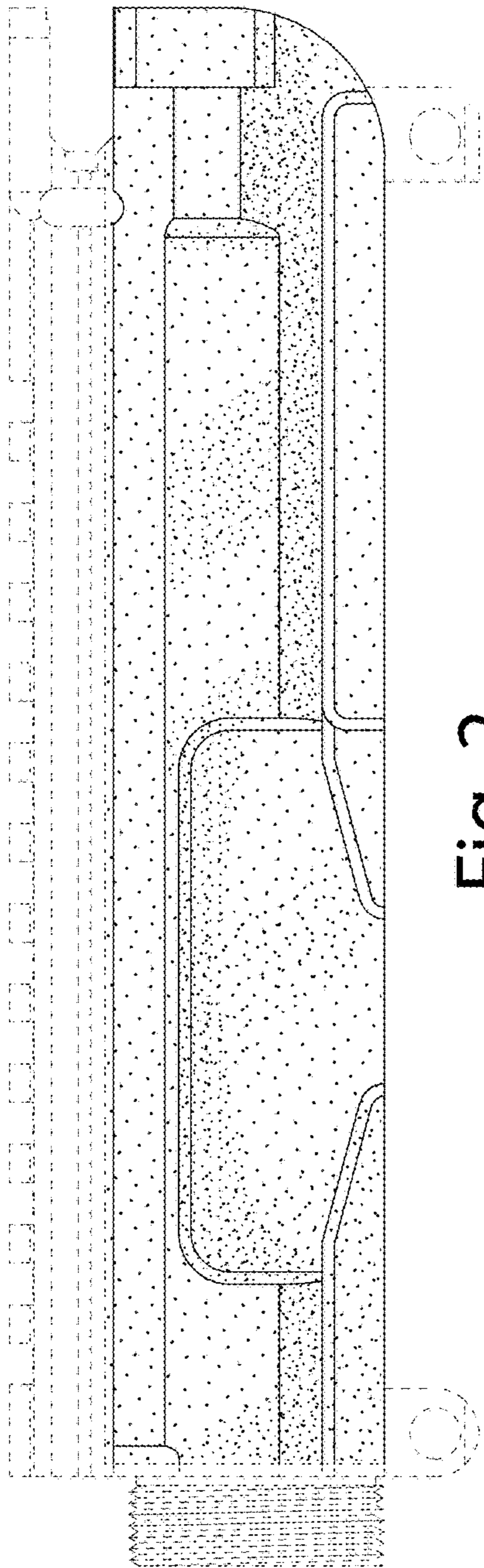


Fig. 2

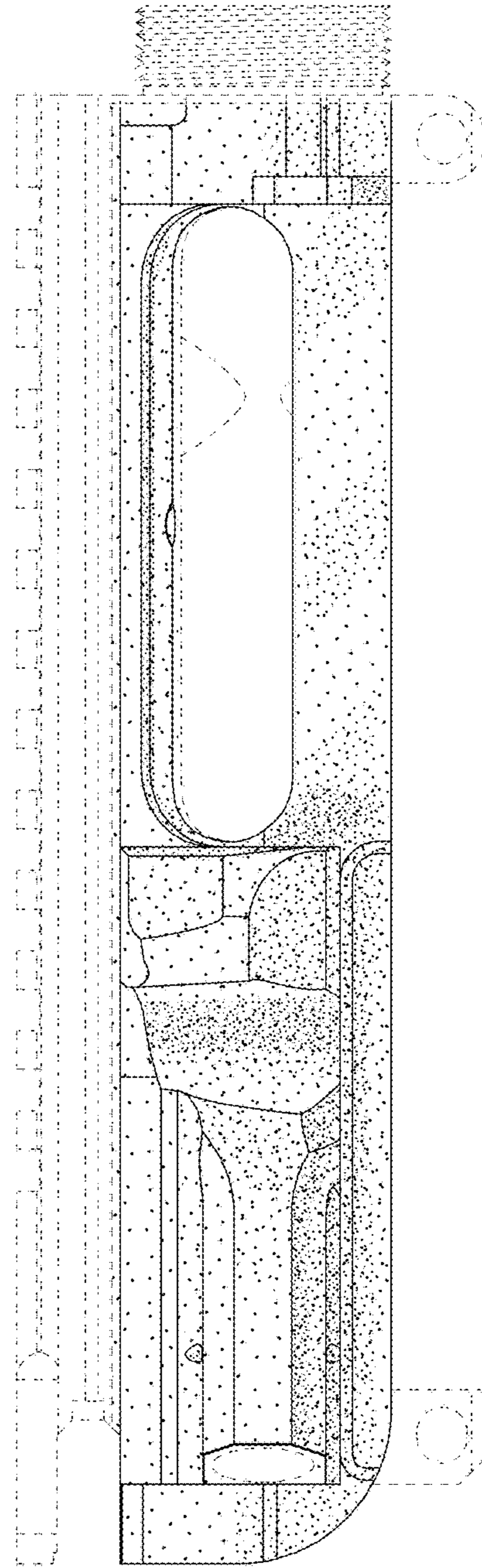


Fig. 3

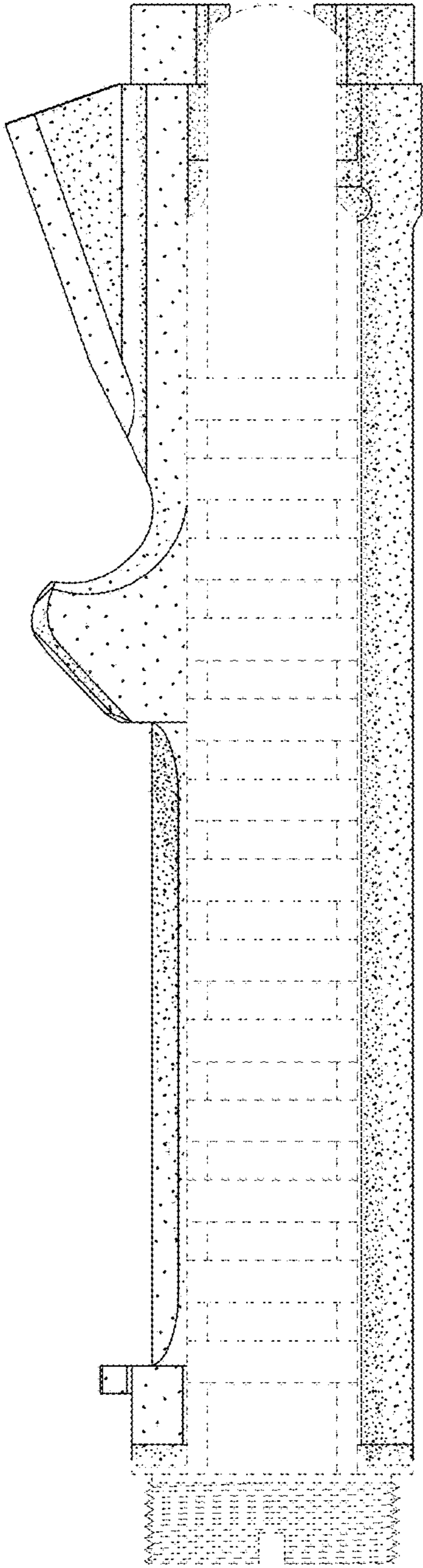


Fig. 4

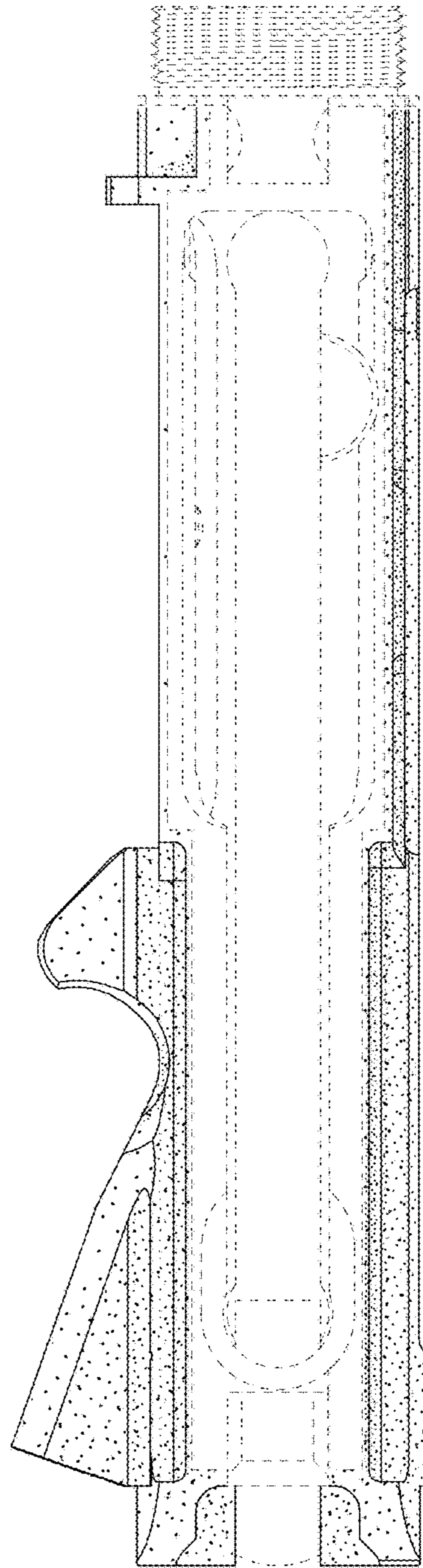


Fig. 5

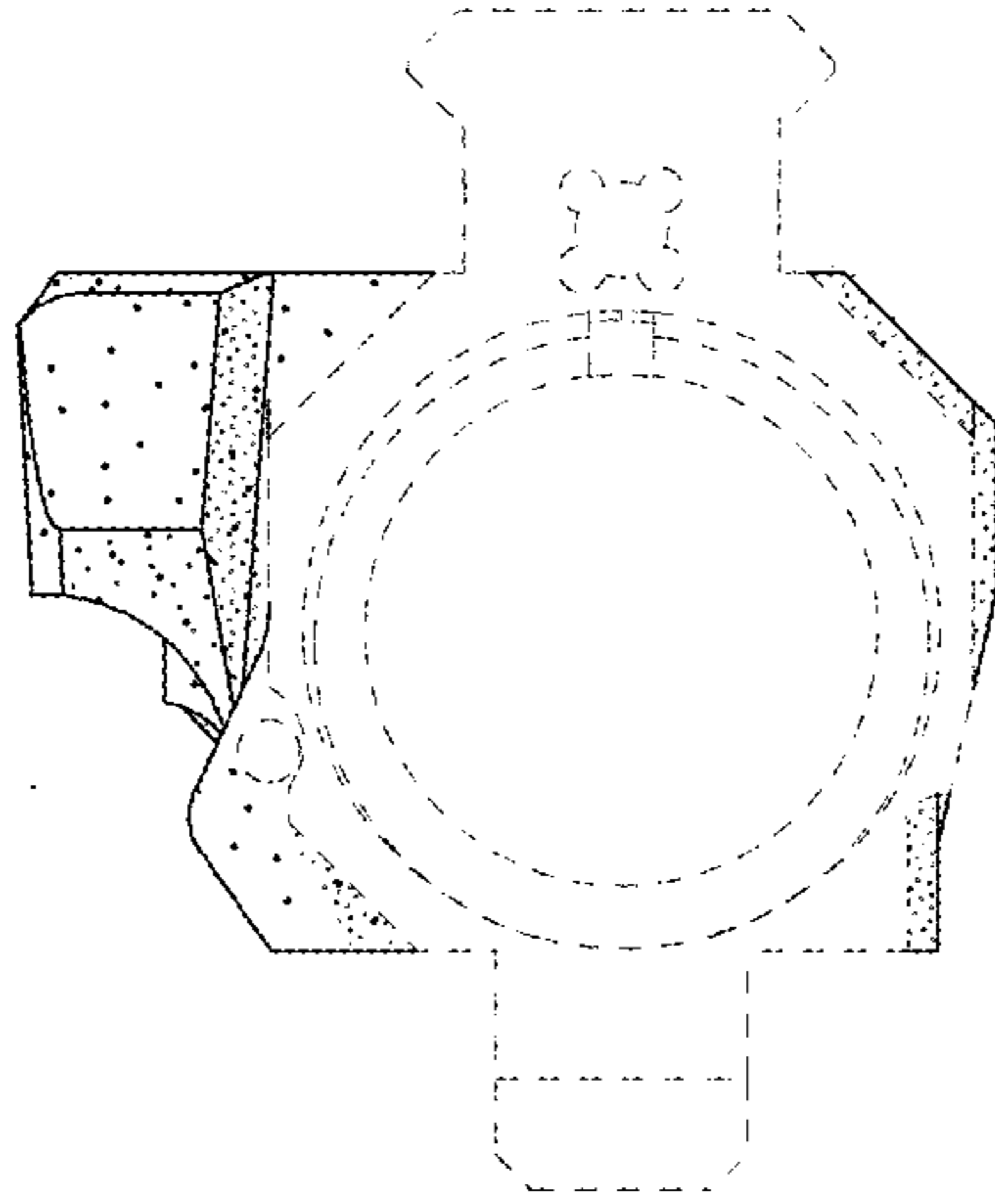


Fig. 6

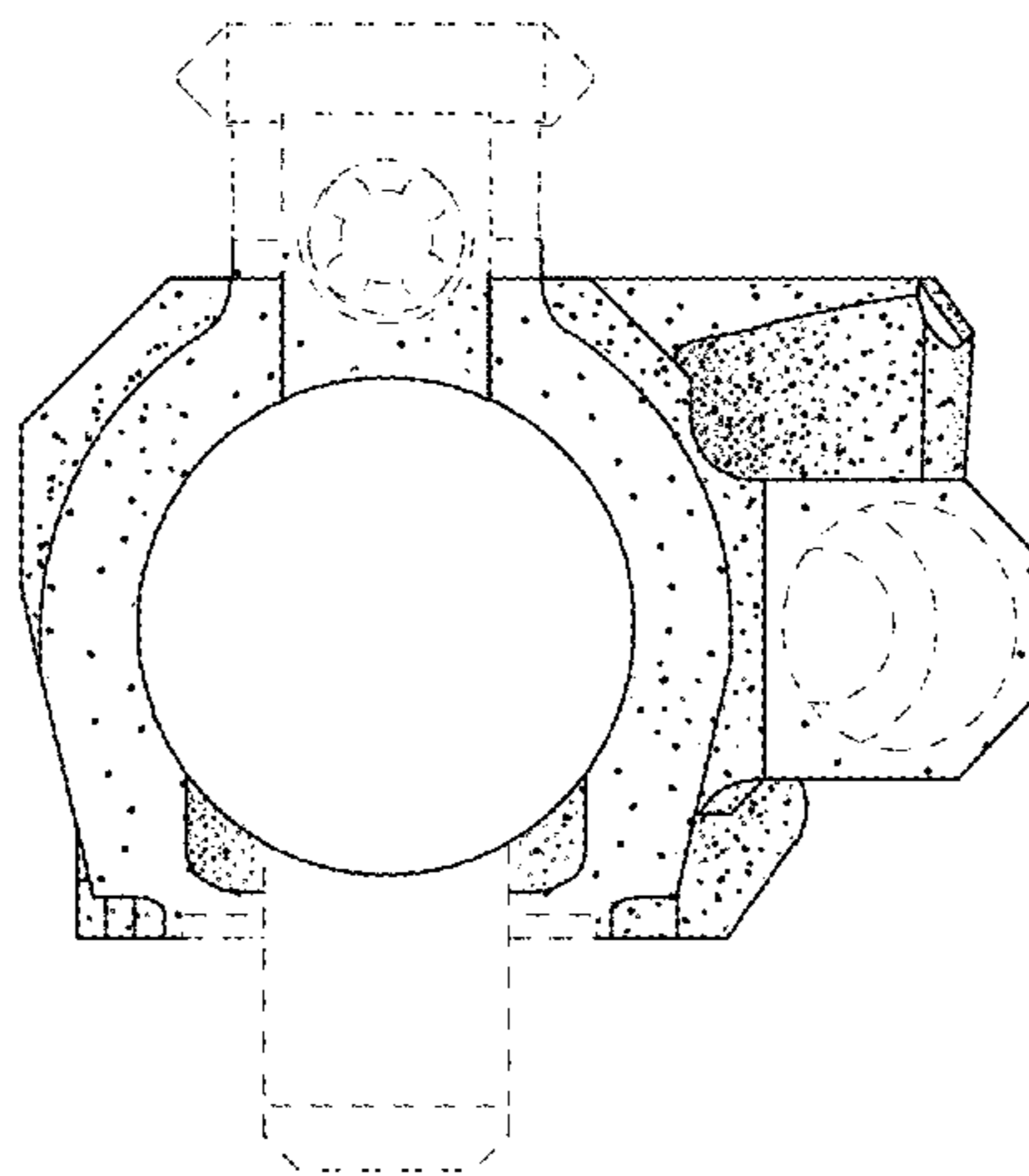


Fig. 7