



US00D827758S

(12) **United States Design Patent**
Grossman et al.

(10) **Patent No.:** **US D827,758 S**
(45) **Date of Patent:** **** Sep. 4, 2018**

(54) **OFF-TRIGGER LOCATOR ATTACHMENT**

(71) Applicants: **Jonathon D. Grossman**, Mascoutah, IL (US); **David A. Grossman**, Mascoutah, IL (US)

(72) Inventors: **Jonathon D. Grossman**, Mascoutah, IL (US); **David A. Grossman**, Mascoutah, IL (US)

(**) Term: **15 Years**

(21) Appl. No.: **29/579,276**

(22) Filed: **Sep. 29, 2016**

(51) **LOC (11) Cl.** **22-01**

(52) **U.S. Cl.**
USPC **D22/108**

(58) **Field of Classification Search**
USPC D22/103, 108
CPC F41C 23/10; F41C 23/14; F41C 23/16;
F41C 23/18

See application file for complete search history.

(56) **References Cited**

U.S. PATENT DOCUMENTS

3,031,786 A * 5/1962 Swan F41A 19/11
42/104
D697,996 S * 1/2014 Grossman D22/108
D701,280 S 3/2014 Siddle et al.

(Continued)

Primary Examiner — Michael A. Pratt

(74) *Attorney, Agent, or Firm* — Thompson Coburn LLP

(57) **CLAIM**

The ornamental design for an off-trigger locator attachment, as shown and described.

DESCRIPTION

FIG. 1 is a front view of the off-trigger locator attachment for a firearm;

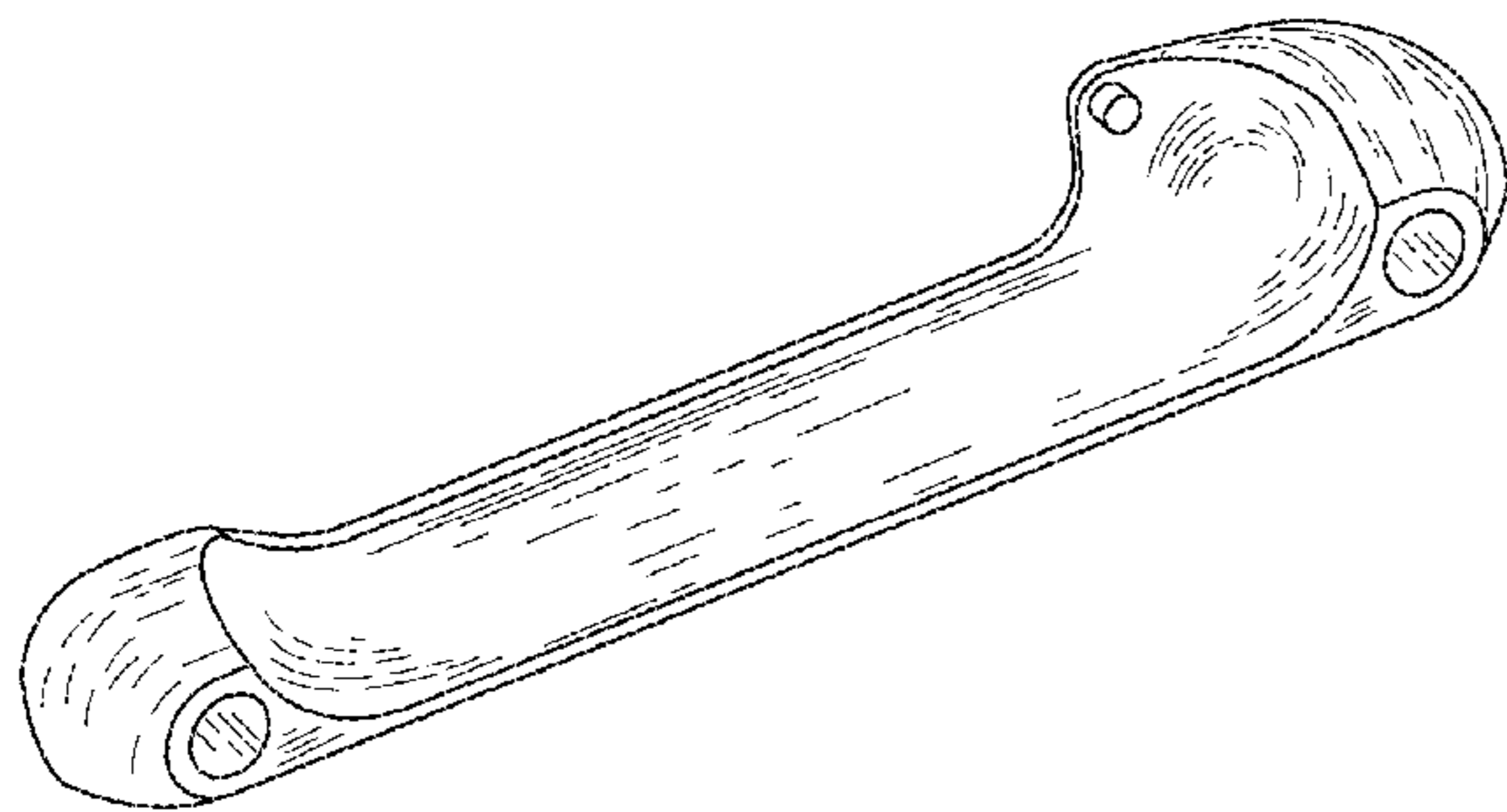


FIG. 2 is a top view of the off-trigger locator attachment of FIG. 1;

FIG. 3 is a left side view of the off-trigger locator attachment of FIG. 1;

FIG. 4 is a right side view of the off-trigger locator attachment of FIG. 1;

FIG. 5 is rear view of the off-trigger locator attachment of FIG. 1 (opposite the view of FIG. 1);

FIG. 6 is bottom view of the off-trigger locator attachment of FIG. 1 (opposite the view of FIG. 2);

FIG. 7 is a perspective view of the off-trigger locator attachment of FIG. 1;

FIG. 8 is an alternate perspective view of the off-trigger locator attachment of FIG. 1;

FIG. 9 is a front view of the off-trigger locator attachment of FIG. 1 shown mounted to an exemplary firearm (shown in phantom) to illustrate the environment in which the off-trigger locator attachment is used;

FIG. 10 is a front view of an alternate embodiment of the off-trigger locator attachment for a firearm;

FIG. 11 is a top view of the off-trigger locator attachment of FIG. 10;

FIG. 12 is a right side view of the off-trigger locator attachment of FIG. 10;

FIG. 13 is a left side view of the off-trigger locator attachment of FIG. 10;

FIG. 14 is rear view of the off-trigger locator attachment of FIG. 10 (opposite the view of FIG. 10);

FIG. 15 is bottom view of the off-trigger locator attachment of FIG. 10 (opposite the view of FIG. 11);

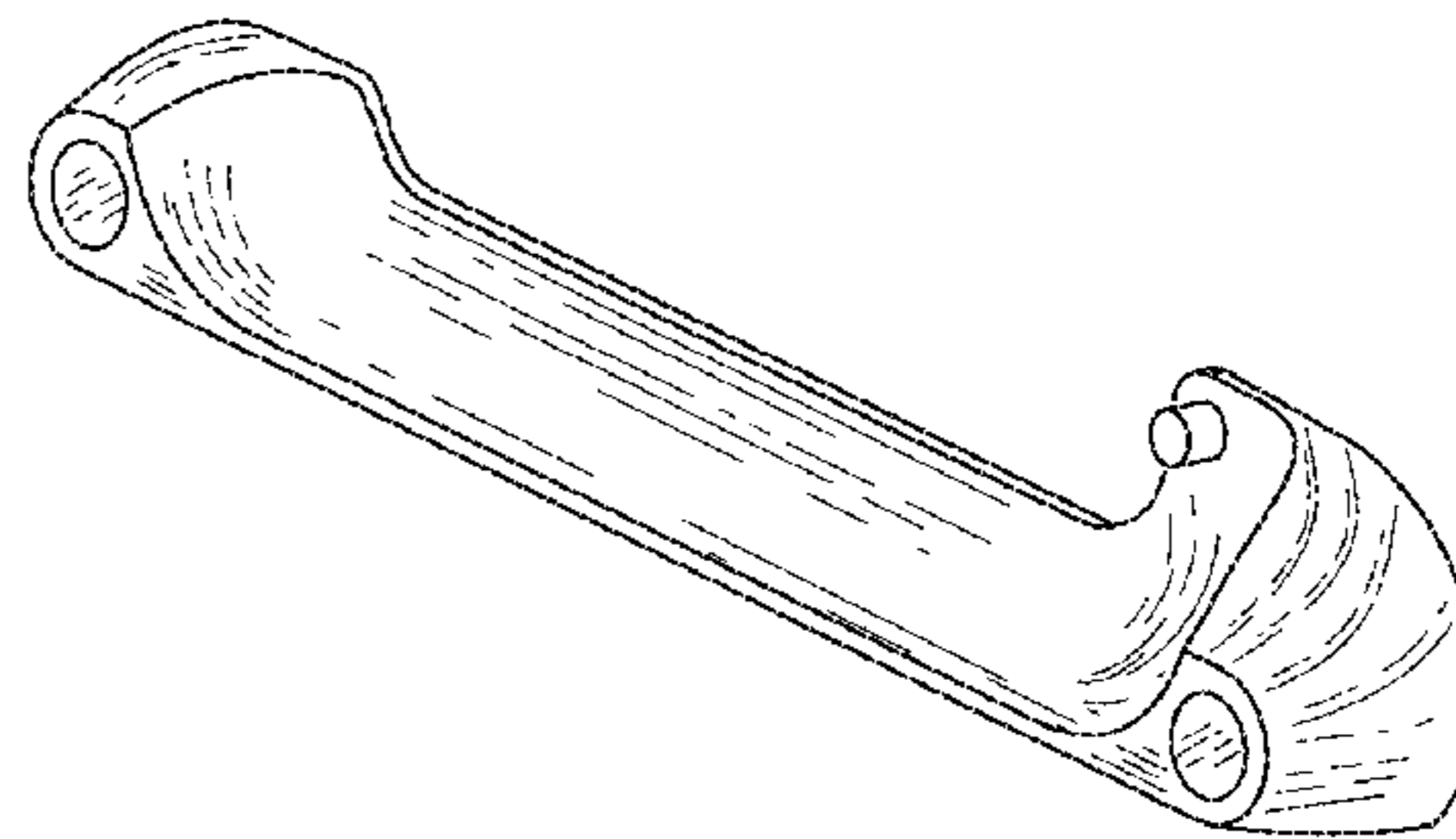
FIG. 16 is a perspective view of the off-trigger locator attachment of FIG. 10;

FIG. 17 is an alternate perspective view of the off-trigger locator attachment of FIG. 10; and,

FIG. 18 is a front view of the off-trigger locator attachment of FIG. 10 shown mounted to an exemplary firearm (shown in phantom) to illustrate the environment in which the off-trigger locator attachment is used.

The dashed lines form no part of the claimed design.

1 Claim, 9 Drawing Sheets



(56)

References Cited

U.S. PATENT DOCUMENTS

8,671,605 B2 *	3/2014	Siddle	F41C 27/00 42/1.01
8,713,831 B2 *	5/2014	Grossman	F41A 17/46 42/1.01
D713,485 S *	9/2014	Firpo I	D22/108
D738,983 S *	9/2015	Mayberry	D22/108
D755,326 S *	5/2016	Siddle	D22/108
D755,327 S *	5/2016	Siddle	D22/108
2014/0047749 A1 *	2/2014	Grossman	F41A 17/46 42/1.01
2014/0047750 A1 *	2/2014	Siddle	F41C 27/00 42/1.01

* cited by examiner



FIG. 1

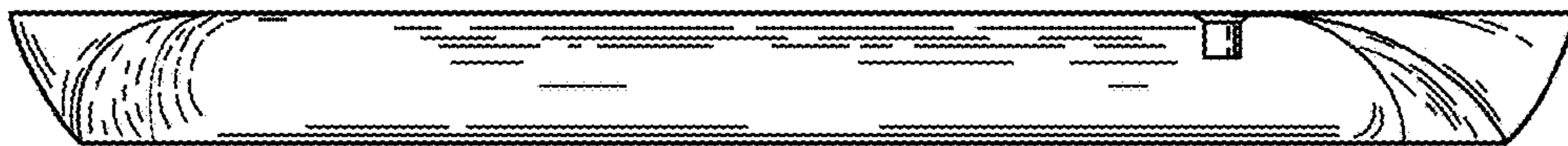


FIG. 2



FIG. 3

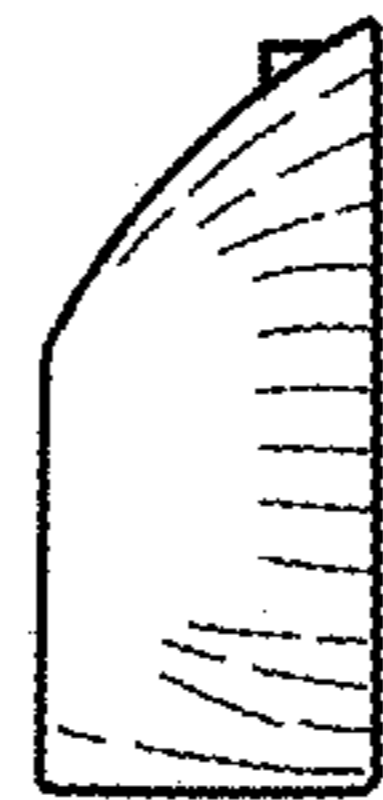


FIG. 4

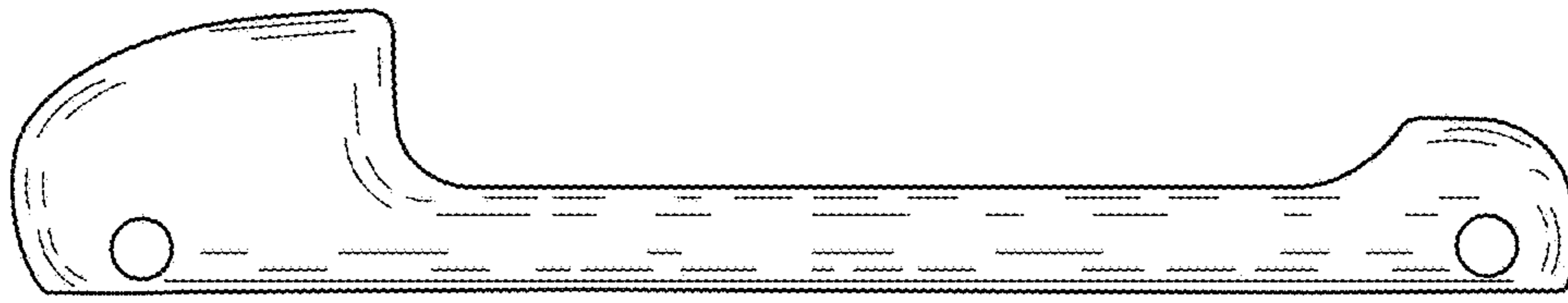


FIG. 5



FIG. 6

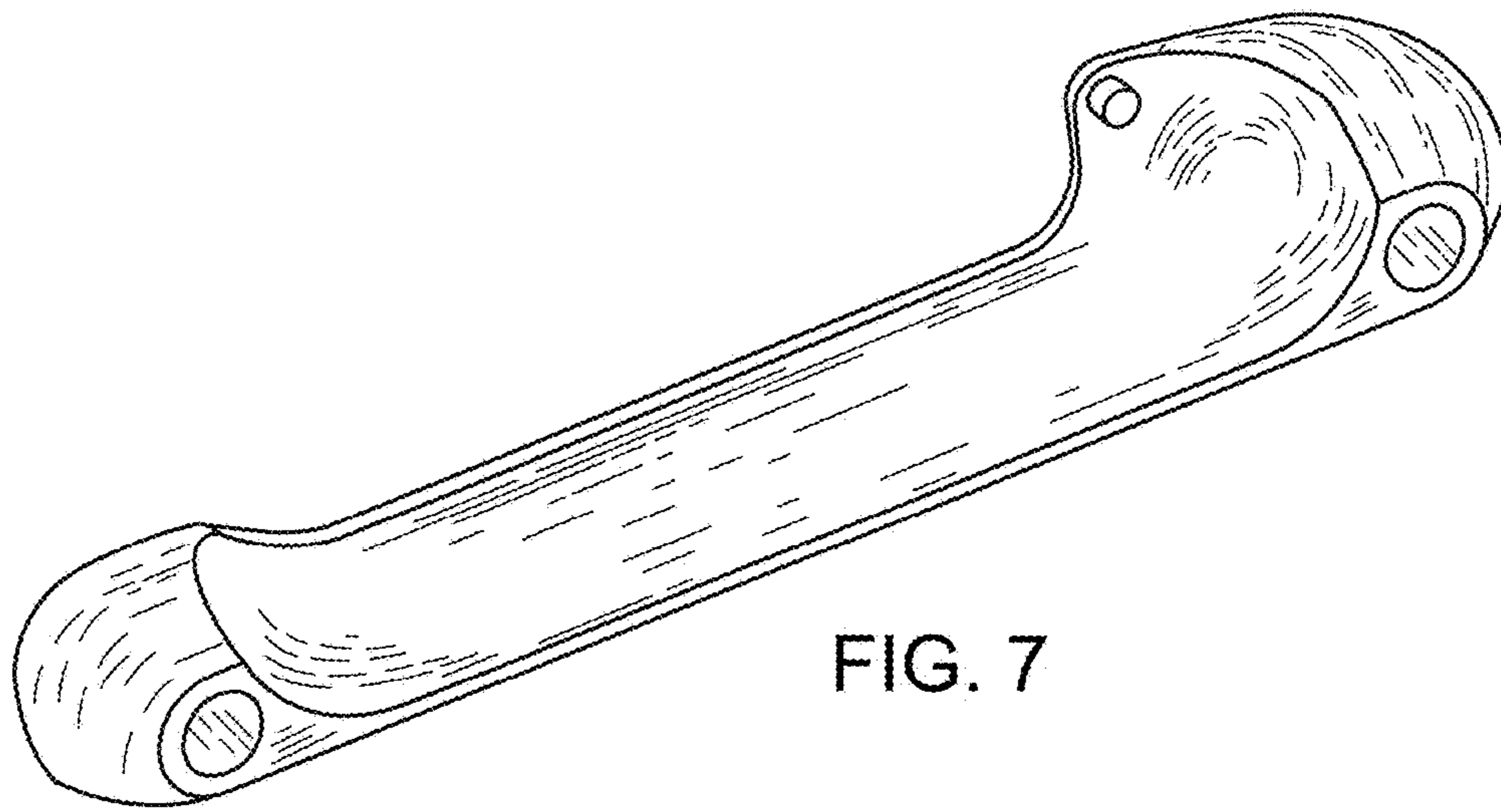


FIG. 7

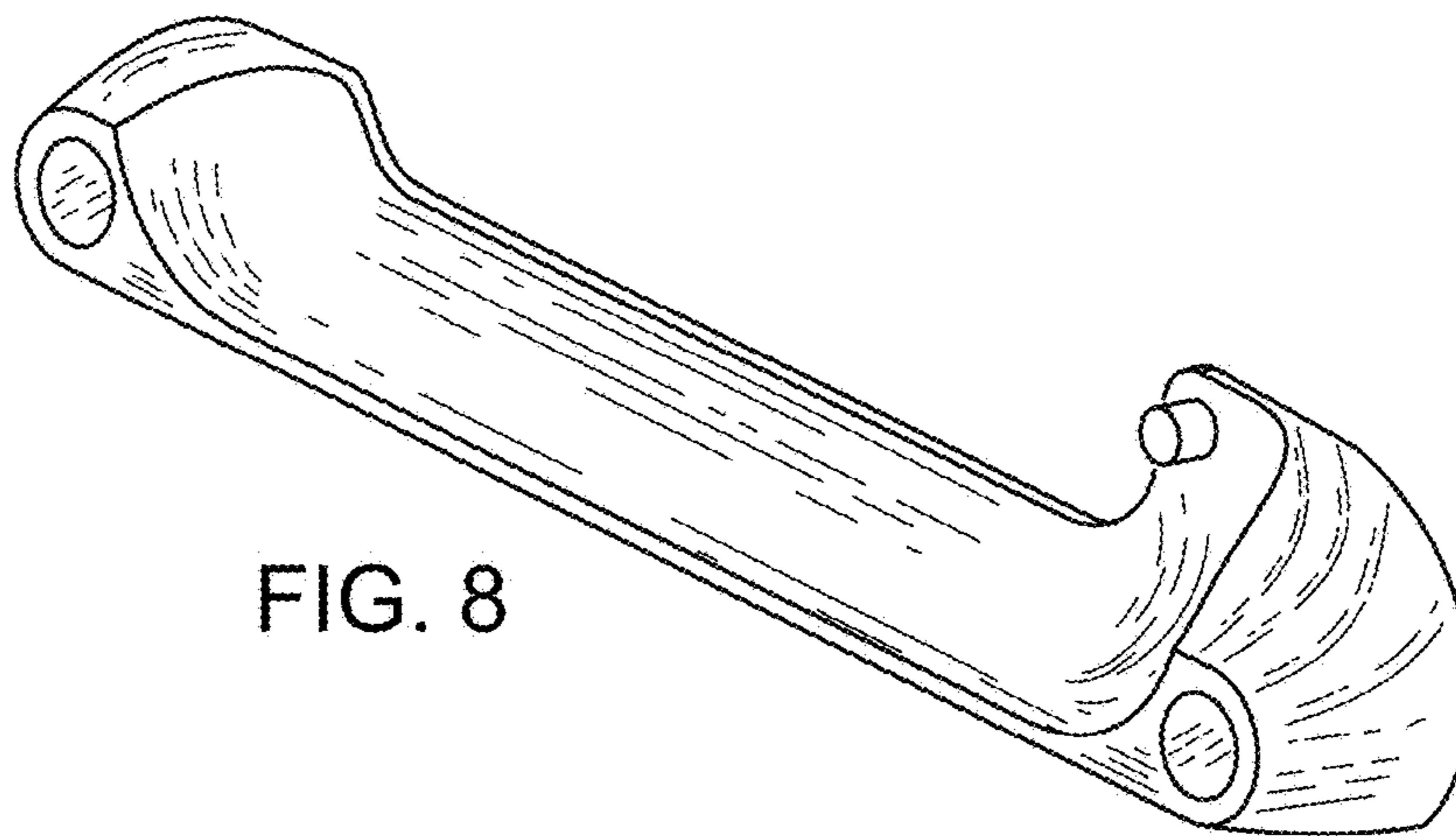


FIG. 8

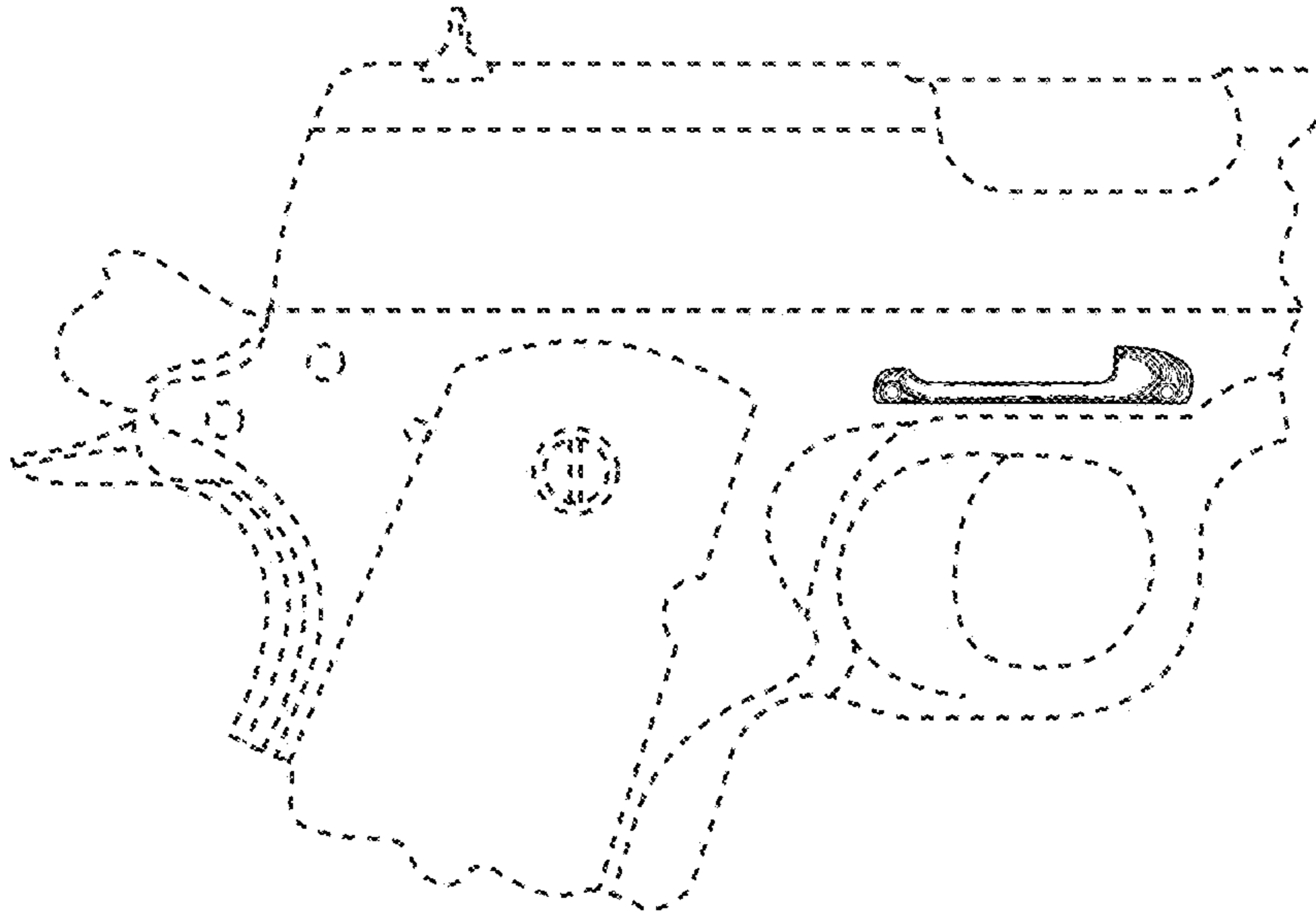


FIG. 9

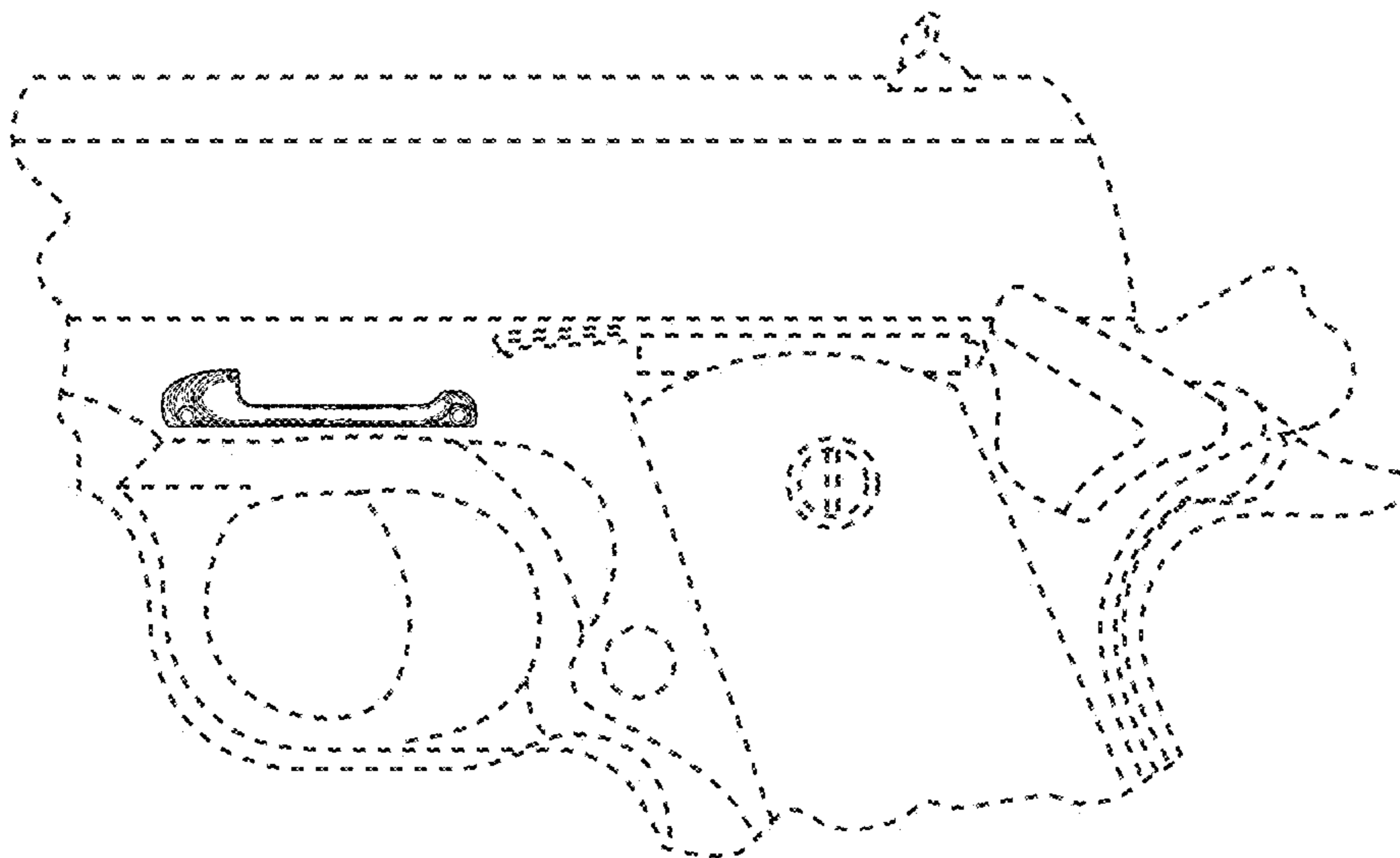


FIG. 18

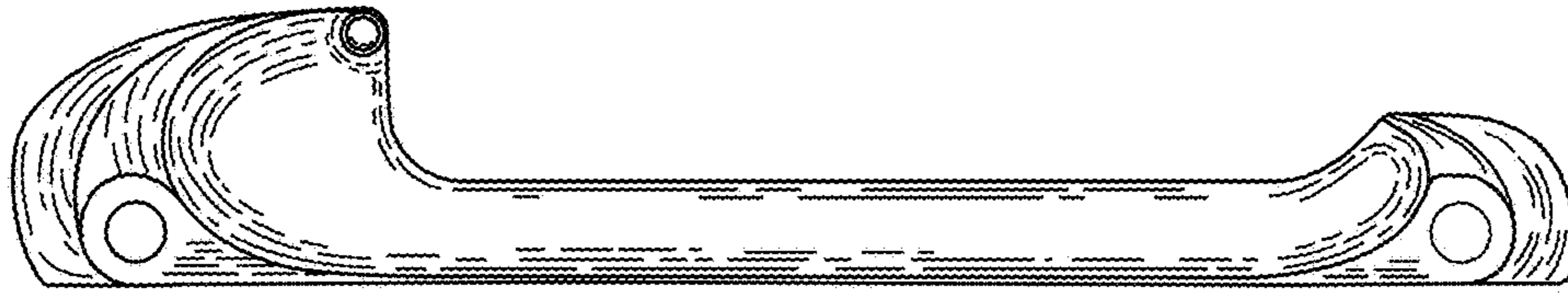


FIG. 10

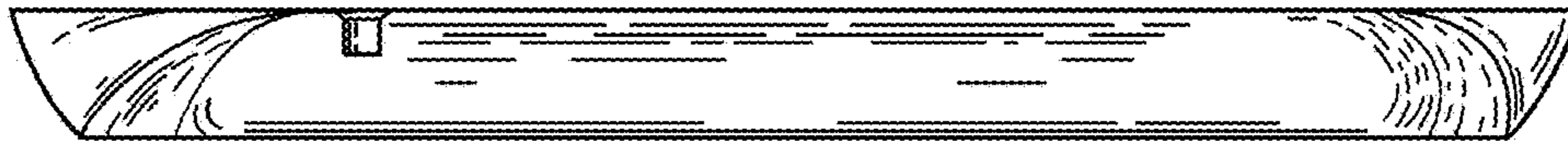


FIG. 11

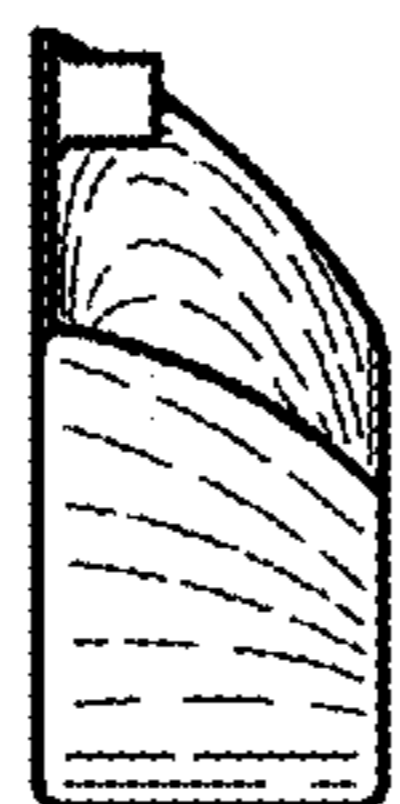


FIG. 12

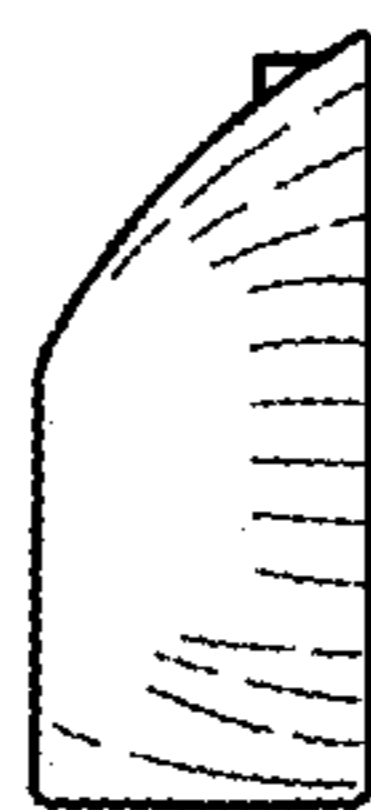


FIG. 13

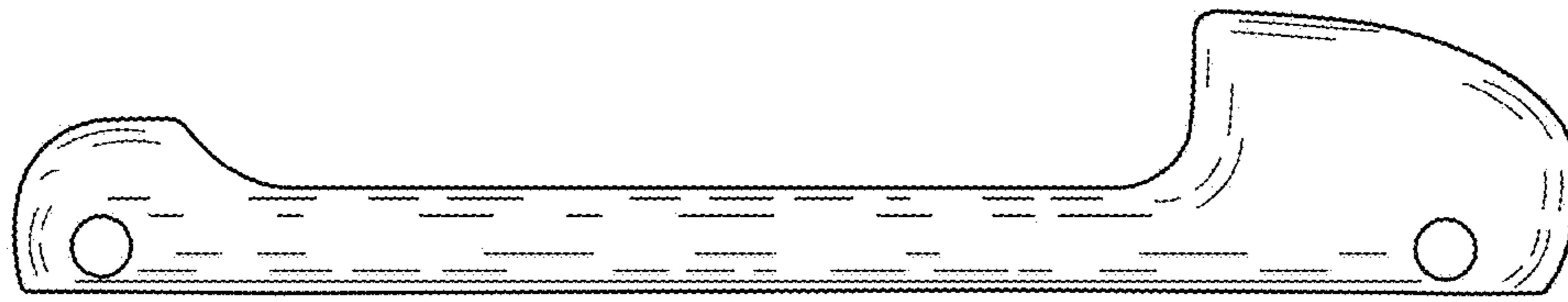


FIG. 14



FIG. 15

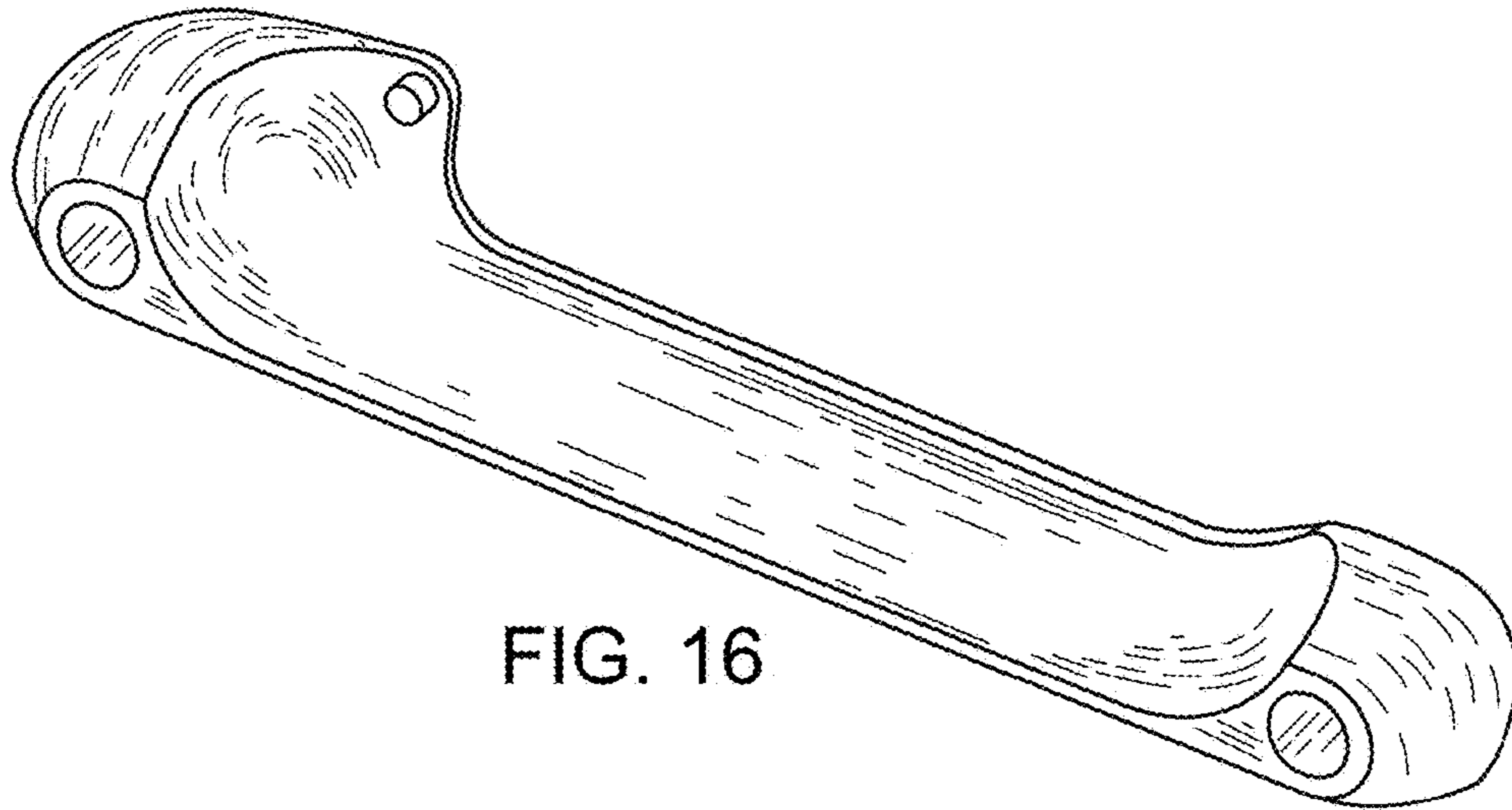


FIG. 16

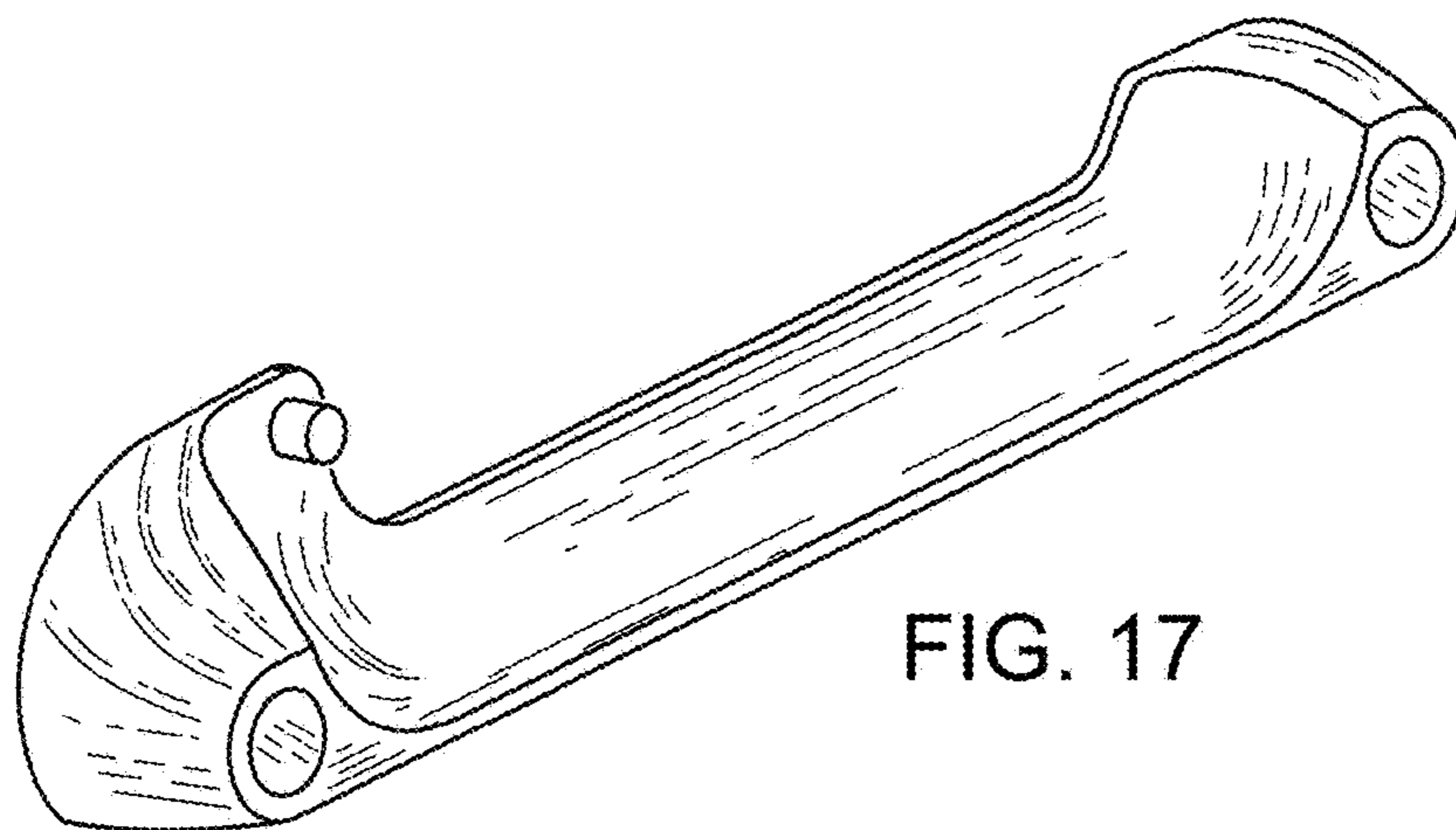


FIG. 17