



US00D827757S

(12) **United States Design Patent**
Hefer et al.

(10) **Patent No.:** **US D827,757 S**
(45) **Date of Patent:** **** Sep. 4, 2018**

(54) **DUAL WAY MAGAZINE LOADER PORTION**

(71) Applicant: **VISTA OUTDOOR OPERATIONS LLC**, Farmington, UT (US)

(72) Inventors: **Brandon Thomas Hefer**, St. Louis, MO (US); **Brandon Karl Trostrud**, St. Louis, MO (US)

(73) Assignee: **Vista Outdoor Operations LLC**, Farmington, UT (US)

(**) Term: **15 Years**

(21) Appl. No.: **29/578,173**

(22) Filed: **Sep. 19, 2016**

Related U.S. Application Data

(63) Continuation-in-part of application No. 29/571,879, filed on Jul. 22, 2016.

(51) **LOC (11) Cl.** **22-01**

(52) **U.S. Cl.**
USPC **D22/108**

(58) **Field of Classification Search**
USPC D22/108
CPC F41A 9/83; F41A 9/82
See application file for complete search history.

(56) **References Cited**

U.S. PATENT DOCUMENTS

1,085,125 A	1/1914	Hoagland
1,786,537 A	12/1930	Holek
1,840,477 A	1/1932	Frommer
2,014,177 A	9/1935	Herlach et al.
2,137,491 A	11/1938	Huff
2,191,130 A	2/1940	Ludwig
2,210,931 A	8/1940	Harris
2,345,593 A	4/1944	Garand

2,362,109 A	11/1944	Whitmore
2,394,033 A	2/1946	Wossum
2,403,012 A	7/1946	McPheters
2,451,521 A	10/1948	Uglum
2,452,600 A	11/1948	Pool et al.
2,462,836 A	3/1949	Barker et al.
2,466,017 A	4/1949	Farber
2,493,048 A	1/1950	Wangrow
2,514,277 A	7/1950	Donallan
2,531,387 A	11/1950	Bilodeau
2,659,173 A	11/1953	Capito
2,783,570 A	3/1957	Kunz
2,803,985 A	8/1957	Hull
2,830,498 A	4/1958	Maillard
2,834,137 A	5/1958	Kunz
2,856,720 A	10/1958	Kunz
2,862,324 A	12/1958	Ball
2,885,811 A	5/1959	Womble, Jr.
2,887,811 A	5/1959	Johnson, Jr.
3,045,525 A	7/1962	Stadelmann

(Continued)

Primary Examiner — Michael A. Pratt

(74) *Attorney, Agent, or Firm* — Christensen, Fonder, Dardi & Herbert PLLC

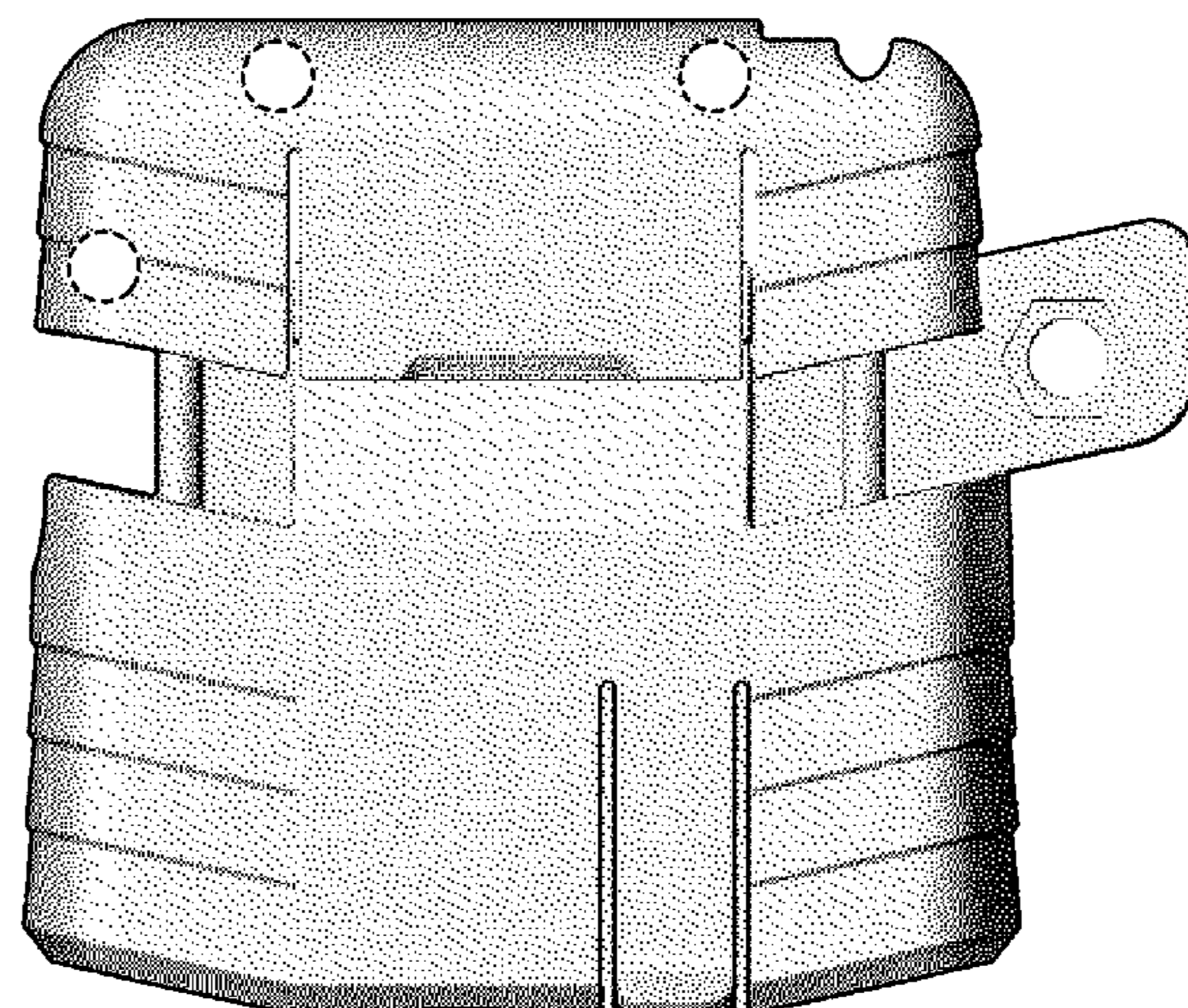
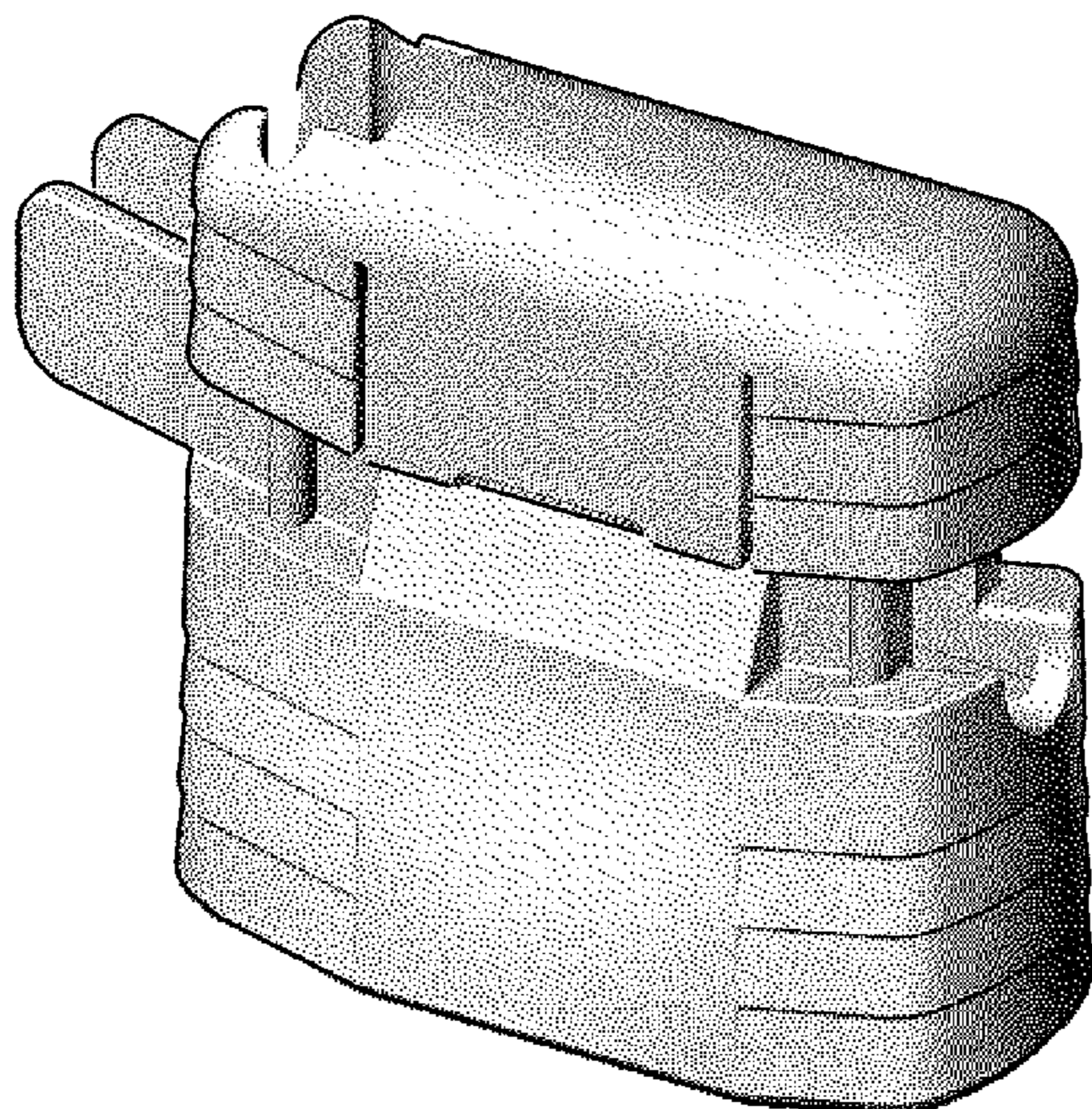
(57) **CLAIM**

We claim the ornamental design for a dual way magazine loader portion, as shown and described.

DESCRIPTION

FIG. 1 is a perspective view of a dual way magazine loader portion showing our new design; FIG. 2 is a front view thereof; FIG. 3 is a rear view thereof; FIG. 4 is a left side view thereof; FIG. 5 is a right side view thereof; FIG. 6 is a top view thereof; and, FIG. 7 is a bottom view thereof. Broken lines shown in the drawings illustrate structure or features which form no part of the claimed design.

1 Claim, 7 Drawing Sheets



(56)

References Cited

U.S. PATENT DOCUMENTS

3,263,664	A *	8/1966	Bauer	F41A 9/83	6,807,764	B1	10/2004	Phillips
						6,810,616	B2	11/2004	Tal et al.
						6,817,134	B2	11/2004	Newman
						7,059,077	B2	6/2006	Tal et al.
						7,257,919	B1	8/2007	Farley
						7,383,657	B2	6/2008	Pikielny
3,292,293	A *	12/1966	Chiasera	B65D 83/04	7,487,613	B2	2/2009	Taylor
						7,503,138	B2	3/2009	Tal et al.
						D604,792	S	11/2009	Stanley
3,509,655	A	5/1970	Wilhelm			7,637,048	B2	12/2009	Tal et al.
3,526,028	A	9/1970	Winch			7,805,874	B2	10/2010	Tal et al.
3,710,497	A	1/1973	Musgrave			8,065,830	B2	11/2011	Twardy
3,789,531	A	2/1974	Kersten			8,234,810	B2	8/2012	Lee, III
3,854,232	A	12/1974	Musgrave			8,356,441	B2	1/2013	Meinel
3,939,590	A	2/1976	Musgrave			8,453,366	B2	6/2013	Gray
3,991,501	A	11/1976	Larsson			8,484,874	B2	7/2013	Kim
4,152,857	A	5/1979	Ketterer			D697,999	S	1/2014	Firment
4,291,483	A	9/1981	Musgrave			D700,266	S	2/2014	Tal et al.
4,304,062	A	12/1981	Pepe et al.			8,650,792	B1	2/2014	Overmars
4,352,254	A	10/1982	Peter et al.			8,726,561	B1	5/2014	Hampton
4,392,321	A	7/1983	Bosworth			8,915,007	B1	12/2014	Williams
4,425,834	A	1/1984	Lohmann			8,931,199	B1	1/2015	Cauley, Jr. et al.
4,452,002	A	6/1984	Musgrave			D728,065	S	4/2015	Tal et al.
4,464,855	A	8/1984	Musgrave			9,003,687	B2	4/2015	Cauley, Jr. et al.
4,488,371	A	12/1984	Boyles			9,057,570	B1	6/2015	Tal et al.
4,538,371	A	9/1985	Howard			9,091,500	B1	7/2015	Kim
4,564,125	A *	1/1986	Esslinger	F42B 39/002	9,115,943	B1	8/2015	Jordan
						9,182,185	B2	11/2015	Hatch
						9,212,859	B1	12/2015	Tal et al.
D282,680	S	2/1986	Boyles			9,239,198	B2	1/2016	McPhee
4,570,371	A	2/1986	Mears			9,273,917	B1	3/2016	Buckner
4,574,511	A	3/1986	Csongor			D753,781	S	4/2016	Cauley, Jr. et al.
4,614,052	A	9/1986	Brown et al.			9,303,934	B1	4/2016	Kazsuk
4,688,344	A	8/1987	Kim			D755,325	S	5/2016	Cauley, Jr. et al.
4,689,909	A *	9/1987	Howard	F41A 9/83	9,347,722	B1	5/2016	Morris
						9,459,063	B1	10/2016	Gattorna
						D770,588	S	11/2016	Cauley, Jr. et al.
						D790,030	S	6/2017	Ulbrich et al.
						9,772,152	B1	9/2017	Niccum
						D799,632	S	10/2017	Ulbrich et al.
4,706,402	A	11/1987	Csongor			2003/0046854	A1	3/2003	Urchek
4,707,941	A	11/1987	Eastman			2003/0226306	A1	12/2003	Hines
4,719,715	A	1/1988	Howard			2004/0020096	A1	2/2004	Tal et al.
4,736,667	A	4/1988	Kochevar et al.			2004/0159035	A1	8/2004	Newman
4,739,572	A	4/1988	Brandenburg			2004/0159036	A1	8/2004	Newman
4,813,169	A	3/1989	Calliebe			2007/0017140	A1	1/2007	Pikielny
D300,549	S	4/1989	Crow			2007/0137086	A1	6/2007	Price
4,827,651	A	5/1989	Conkey			2008/0184608	A1	8/2008	Tal et al.
4,829,693	A	5/1989	Holmes			2010/0175294	A1	7/2010	Meinel
4,872,279	A	10/1989	Boat			2012/0152221	A1	6/2012	Meggs
4,879,829	A	11/1989	Miller et al.			2012/0192477	A1	8/2012	Kim
4,888,902	A	12/1989	Knowles			2012/0222343	A1	9/2012	Kim
4,939,862	A	7/1990	Brandenburg et al.			2013/0061505	A1	3/2013	Faifer
4,949,495	A	8/1990	Mari			2013/0232843	A1	9/2013	Bajuelo
4,967,723	A *	11/1990	Cutrell	F41B 11/51	2014/0033592	A1	2/2014	Fiorucci
						2014/0223792	A1	8/2014	Socivoi
						2014/0298704	A1	10/2014	Niccum
						2014/0311008	A1	10/2014	McPhee
4,970,820	A	11/1990	Miller et al.			2014/0317985	A1	10/2014	Cauley, Jr. et al.
4,993,180	A	2/1991	Upchurch			2015/0316341	A1	11/2015	Aguilar
5,074,070	A	12/1991	Kuykendall			2015/0377573	A1	12/2015	Niccum
5,129,173	A	7/1992	Kuykendall			2016/0025437	A1	1/2016	Slocum
5,249,386	A	10/1993	Switzer			2016/0102932	A1	4/2016	Cobb
5,301,449	A	4/1994	Jackson			2017/0051992	A1	2/2017	Cottrell et al.
5,355,606	A	10/1994	Orioni			2017/0211902	A1	7/2017	Mills
5,377,436	A	1/1995	Switzer			2017/0328658	A1	11/2017	Butler
5,402,594	A	4/1995	Switzer			2018/0058785	A1 *	3/2018	Hefer F41A 9/83
5,417,003	A	5/1995	Claveau			2018/0066907	A1	3/2018	Hefer et al.
D370,518	S	6/1996	Haywood						
5,669,171	A	9/1997	Sally						
D423,628	S	4/2000	Smart et al.						
6,178,683	B1	1/2001	Williams						
6,189,254	B1	2/2001	Steitz						
6,219,953	B1	4/2001	Bentley						
6,286,243	B1	9/2001	Hinton						
D477,047	S	7/2003	Springer						
6,678,985	B2	1/2004	Pikula						
6,754,987	B1	6/2004	Cheng et al.						

* cited by examiner

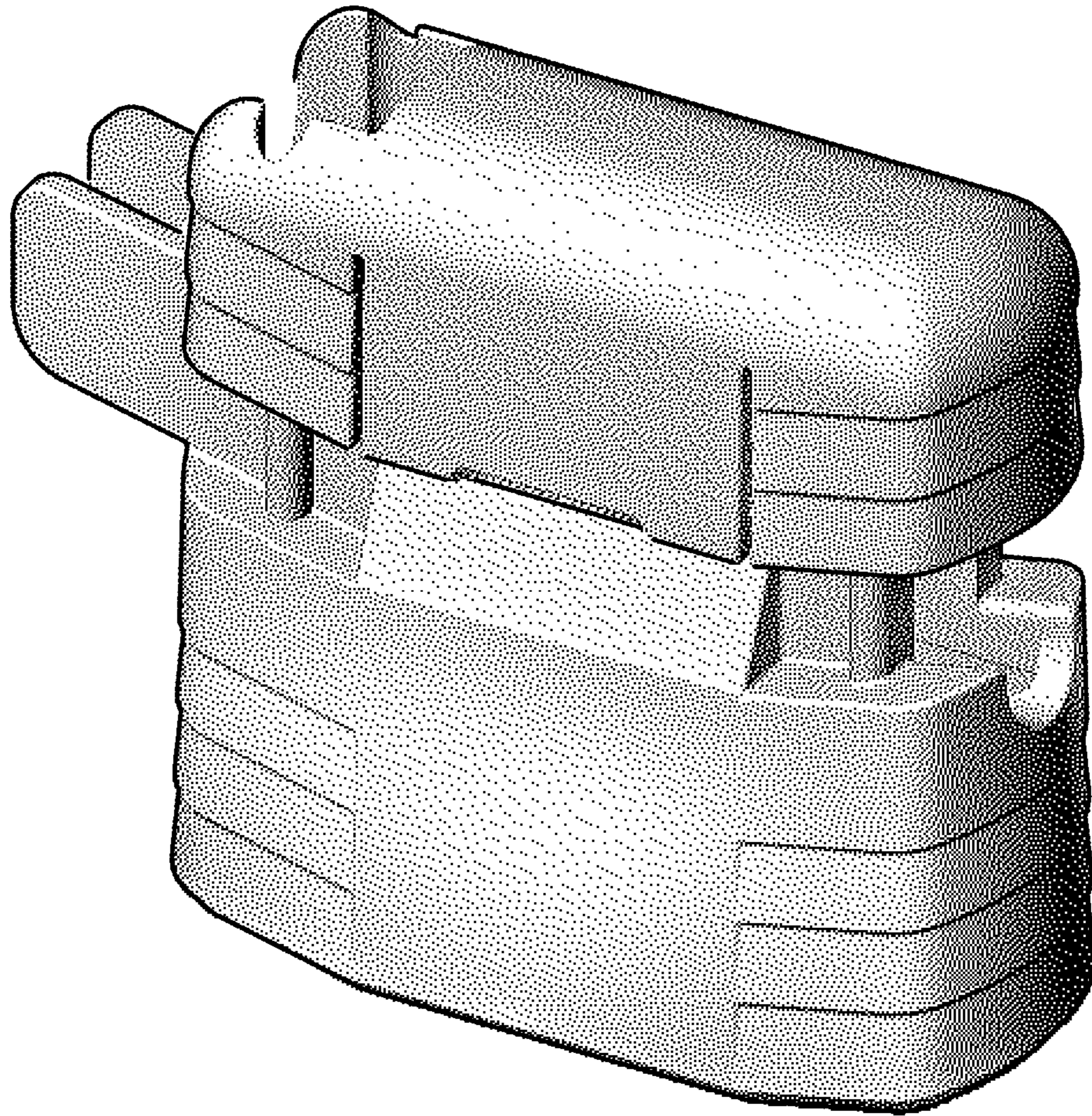


FIG. 1

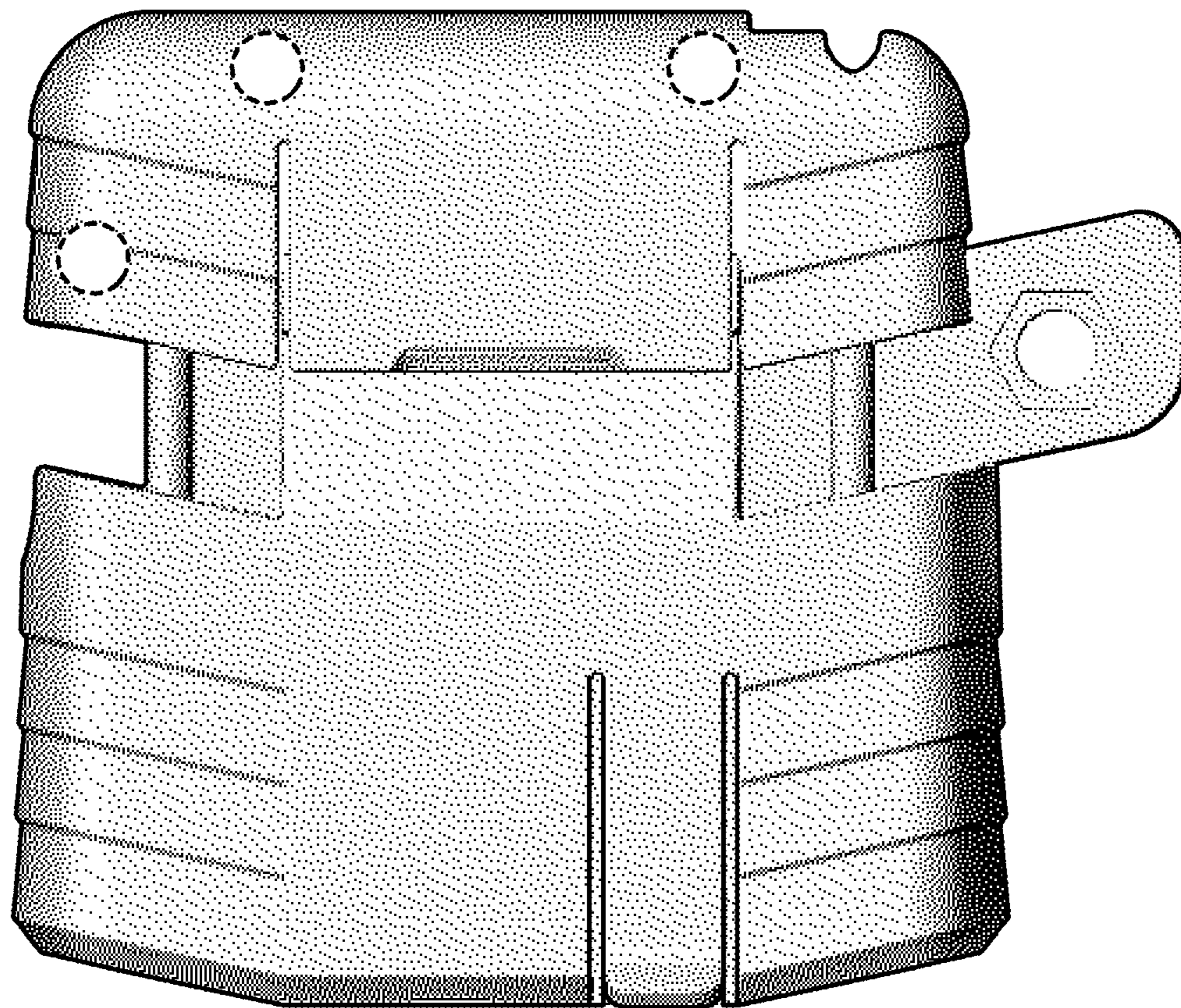


FIG. 2

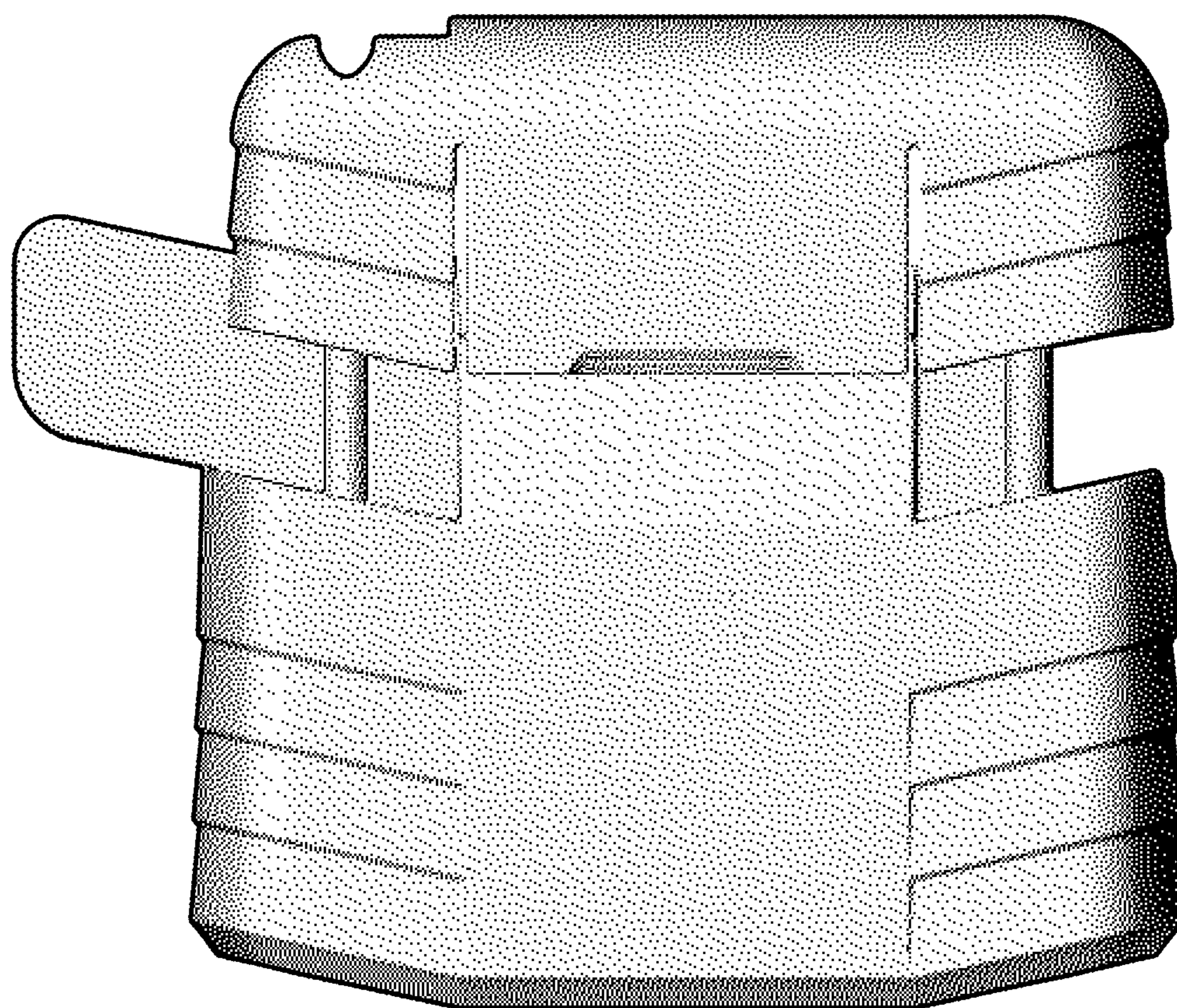


FIG. 3

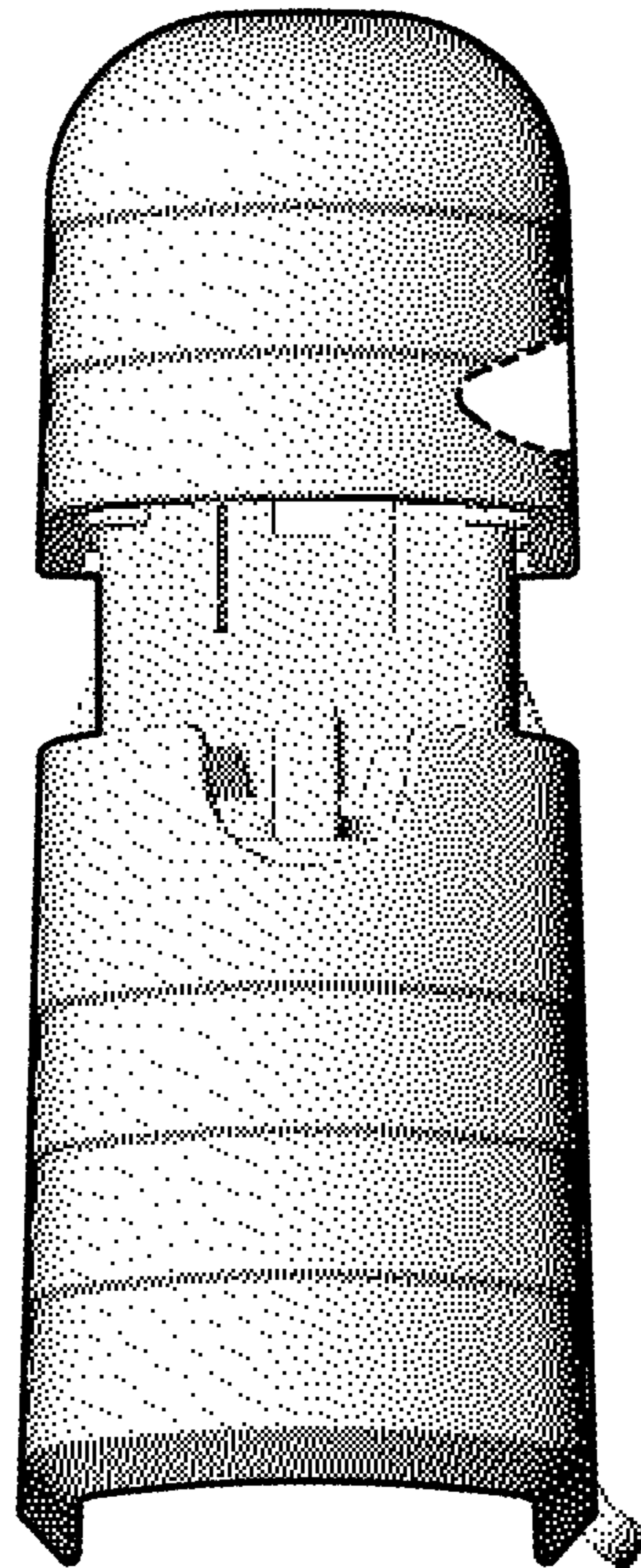


FIG. 4

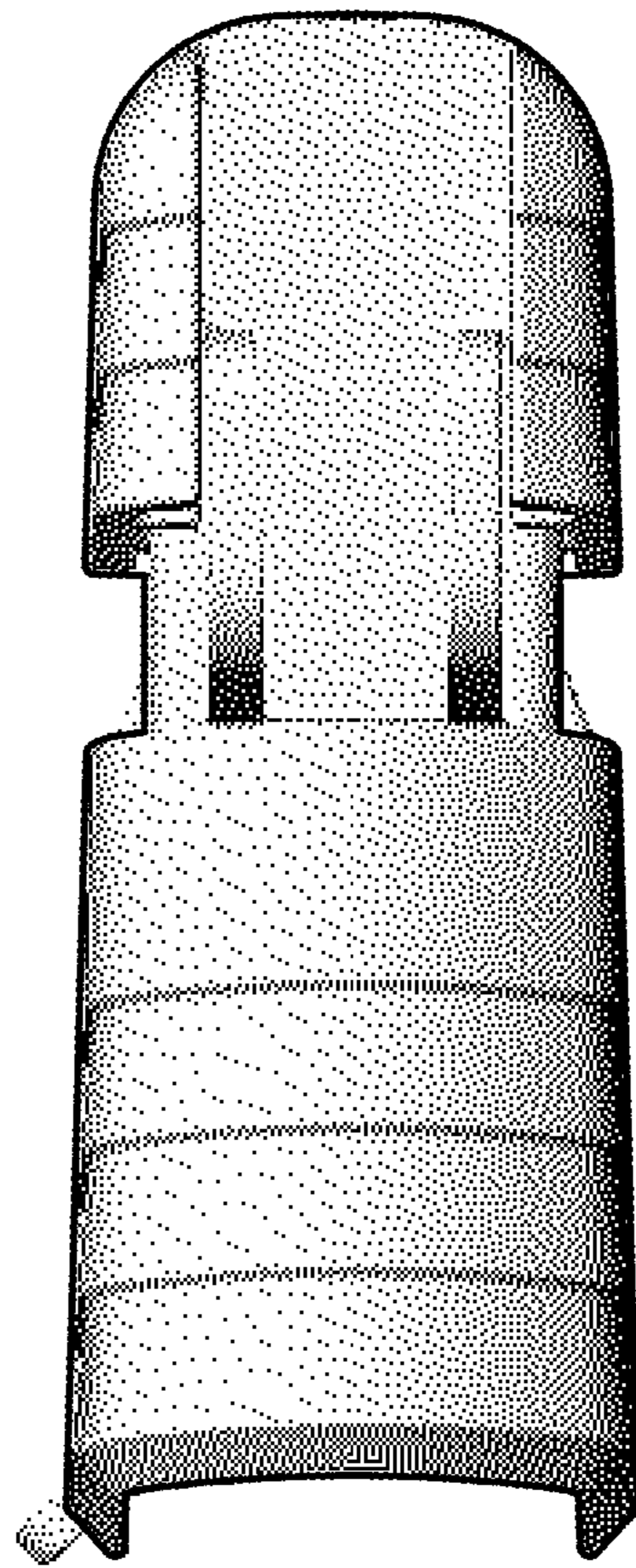


FIG. 5

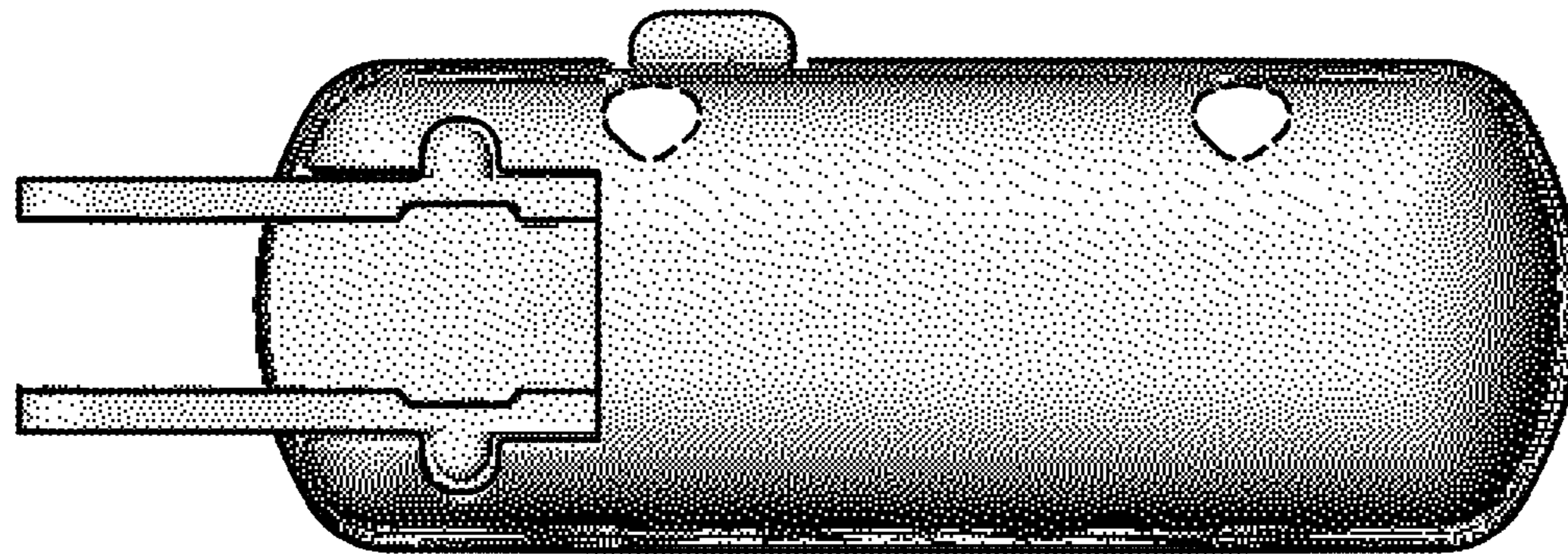


FIG. 6

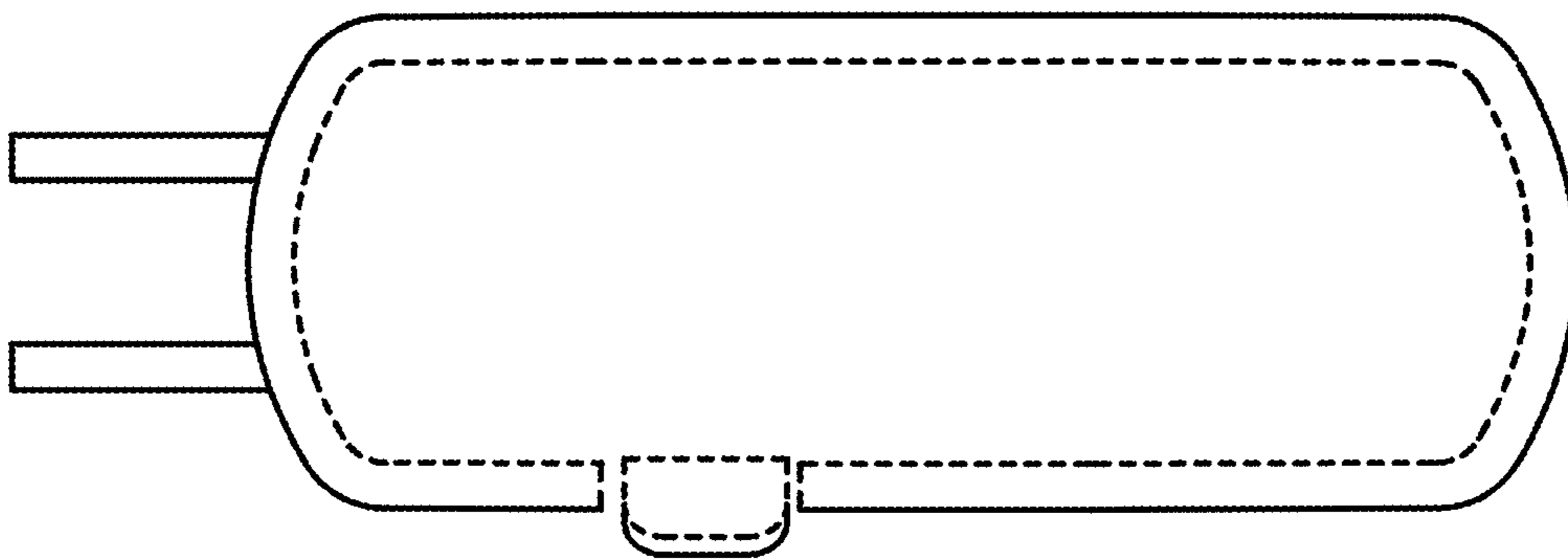


FIG. 7