



US00D827754S

(12) **United States Design Patent**  
**Tripp et al.**

(10) **Patent No.:** **US D827,754 S**

(45) **Date of Patent:** **\*\* \*Sep. 4, 2018**

(54) **DOUBLE BARREL PISTOL**

(71) Applicant: **Regina Vieweg**, Lloyd Harbor, NY  
(US)

(72) Inventors: **Virgil Tripp**, Bastrop, TX (US);  
**Thomas J. Vieweg**, Lloyd Harbor, NY  
(US)

(73) Assignee: **Regina Vieweg**, Lloyd Harbor, NY  
(US)

(\*) Notice: This patent is subject to a terminal disclaimer.

(\*\*) Term: **15 Years**

(21) Appl. No.: **29/588,184**

(22) Filed: **Dec. 19, 2016**

(51) **LOC (11) Cl.** ..... **22-01**

(52) **U.S. Cl.**  
USPC ..... **D22/104**

(58) **Field of Classification Search**  
USPC ..... D22/100, 104, 108, 109, 199;  
D21/572-575, 145, 146, 147, 567;  
D14/418; 124/16, 25.7, 27, 45, 82, 23.1,  
124/35.2, 37, 79; 446/401, 403, 400,  
446/473, 445, 182, 405, 407; 248/200;  
D8/354, 373, 380, 499; 42/4, 41, 42.01,  
42/42.02, 42.03, 43, 44, 45, 57, 69.01,  
42/71.02, 72, 100; 89/40.06, 41.19,  
89/37.04, 33.04, 191.01, 200-204;  
362/110, 113  
CPC .... F41C 3/005; F41C 3/02; F41C 3/04; F41C  
3/06; F41C 3/14; F41C 3/16; F41C 9/02;  
F41C 9/04; F41C 9/06; F41C 9/08  
See application file for complete search history.

(56) **References Cited**

**U.S. PATENT DOCUMENTS**

4,019,273 A \* 4/1977 Kibler ..... F41A 19/64  
42/106  
D251,913 S \* 5/1979 Romano ..... D22/104

D263,413 S \* 3/1982 Hillberg ..... D22/104  
D387,841 S \* 12/1997 Hochstrate ..... D22/100  
7,318,294 B2 \* 1/2008 Zimmermann ..... F41A 5/04  
42/50  
D570,925 S \* 6/2008 Wu ..... D21/574  
D583,896 S \* 12/2008 McGarry ..... D22/104  
D597,625 S \* 8/2009 Pflaumer ..... D22/104

(Continued)

**OTHER PUBLICATIONS**

Double Barrel 1911, YouTube.com, hickok45, Published on Dec. 6,  
2016, [online], [site visited Oct. 23, 2017]. <URL: https://www.  
youtube.com/watch?v=XCOQf12y3kw> (Year: 2016).\*

(Continued)

*Primary Examiner* — T. Chase Nelson

*Assistant Examiner* — Jonathan J. Han

(74) *Attorney, Agent, or Firm* — Abelman, Frayne &  
Schwab

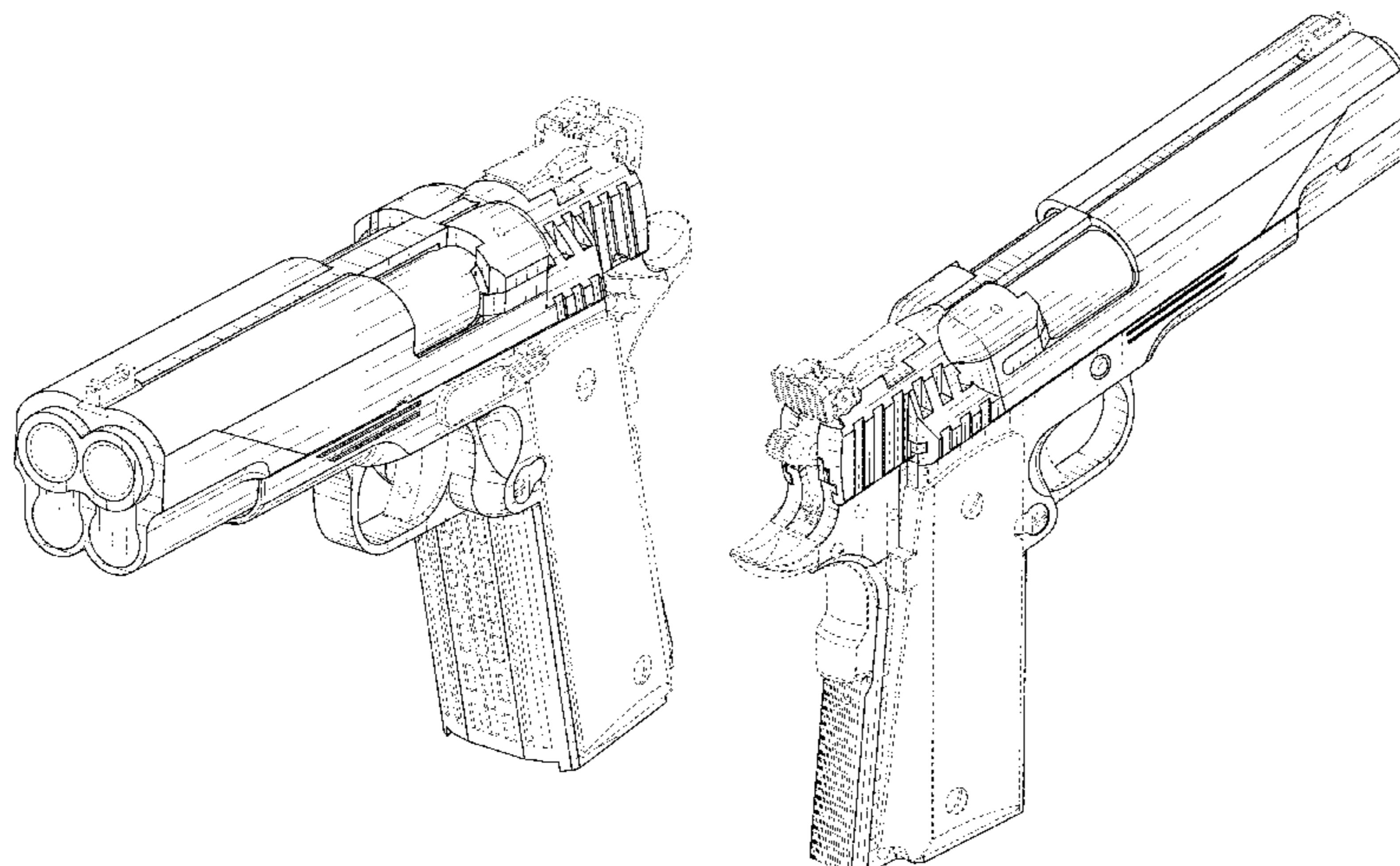
(57) **CLAIM**

The ornamental design for a double barrel pistol, as shown  
and described.

**DESCRIPTION**

FIG. 1 is a front, right side, and top perspective view of a  
double barrel pistol showing the new design;  
FIG. 2 is a front elevation thereof;  
FIG. 3 is a rear elevation thereof;  
FIG. 4 is a left side elevation thereof;  
FIG. 5 is a right side elevation thereof;  
FIG. 6 is a top plan thereof;  
FIG. 7 is a bottom plan thereof; and,  
FIG. 8 is a rear, left side, and top perspective view thereof.  
The broken lines are used for the purpose of illustrating  
unclaimed portions of the double barrel pistol and form no  
part of the claimed design.

**1 Claim, 6 Drawing Sheets**



(56)

References Cited

U.S. PATENT DOCUMENTS

D598,065 S \* 8/2009 Vukovic ..... D22/104  
 D654,978 S \* 2/2012 Karanian ..... D22/104  
 D662,153 S \* 6/2012 Dakan ..... D21/573  
 8,312,658 B2 \* 11/2012 Lippard ..... F41A 17/56  
 42/69.03  
 D678,454 S \* 3/2013 Emde ..... D22/104  
 D681,131 S \* 4/2013 Su ..... D21/574  
 D690,374 S \* 9/2013 Lee ..... D21/574  
 8,584,390 B1 \* 11/2013 Fraher ..... F41C 23/10  
 42/71.02  
 D707,780 S \* 6/2014 Heizer ..... D22/104  
 D716,396 S \* 10/2014 Rothmann ..... D22/104  
 D726,275 S \* 4/2015 Bandini ..... D22/103  
 D742,985 S \* 11/2015 Hudson, III ..... D22/104  
 D772,364 S \* 11/2016 Kedairy ..... D22/104  
 D785,121 S \* 4/2017 Bandini ..... D22/104  
 D791,262 S \* 7/2017 Brown ..... D22/104  
 2005/0156889 A1 \* 7/2005 Ma ..... A63F 13/06  
 345/163  
 2011/0072704 A1 \* 3/2011 Teach, Jr. .... F41A 3/58  
 42/8

2011/0120437 A1 \* 5/2011 Tippmann, Jr. .... F41B 11/55  
 124/74  
 2012/0291324 A1 \* 11/2012 Bandini ..... F41A 5/04  
 42/14  
 2017/0108310 A1 \* 4/2017 Zimmerman ..... F41C 23/22

OTHER PUBLICATIONS

Double Barrel 1911 Ifull Reviewi (AF2011s1), YouTube.com, GY6vids, Published on May 9, 2015, [online], [site visited Oct. 23, 2017]. <URL: <https://www.youtube.com/watch?v=BKoQRFwWkMY>> (Year: 2015).\*

Double Barrel Glock 18 / WE Double Barrel G18 / Airsoft, YouTube.com, Airsoft Mike, Published on Mar 14, 2017, [online], [site visited Oct. 23, 2017]. <URL: <https://www.youtube.com/watch?v=tU-PAU11Pdw>> (Year: 2017).\*

Arsenal Firearms Introduces Double Barrel Pistol, GunsAndAmmo.com, by Iain Harrison, Mar. 12, 2012, [online], [site visited Oct. 23, 2017]. <URL: <http://www.gunsandammo.com/blogs/for-the-love-of-competition/double-barrel-pistol/>> (Year: 2012).\*

Arsenal Firearms DBDC Tactical, All4Shooters.com, Jan. 21, 2016, [online], [site visited Oct. 23, 2017]. <URL: <https://www.all4shooters.com/en/Shooting/pistols/Arsenal-Firearms-DBDC-Tactical-double-barrel-pistol/>> (Year: 2016).\*

\* cited by examiner

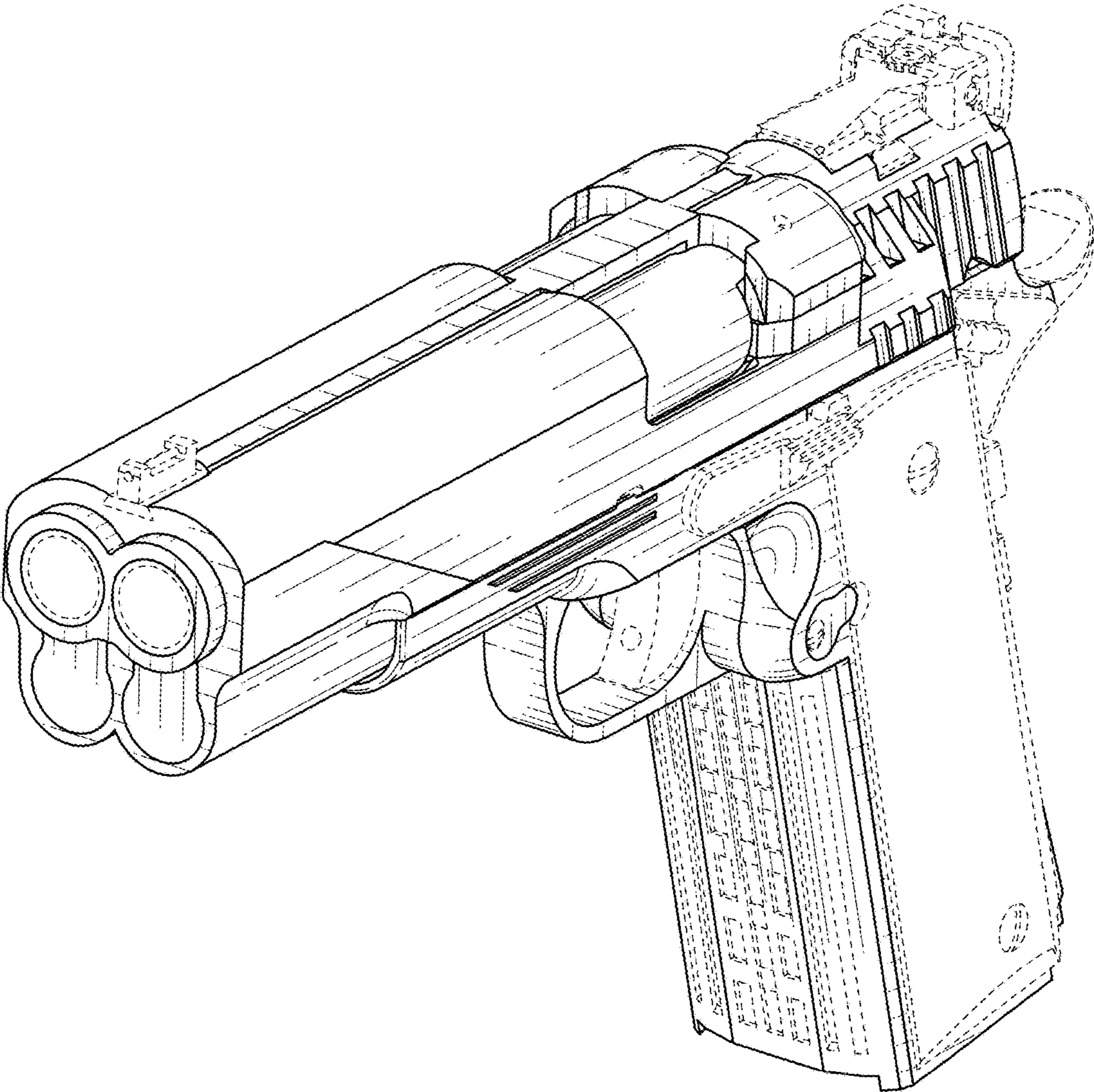


FIG. 1

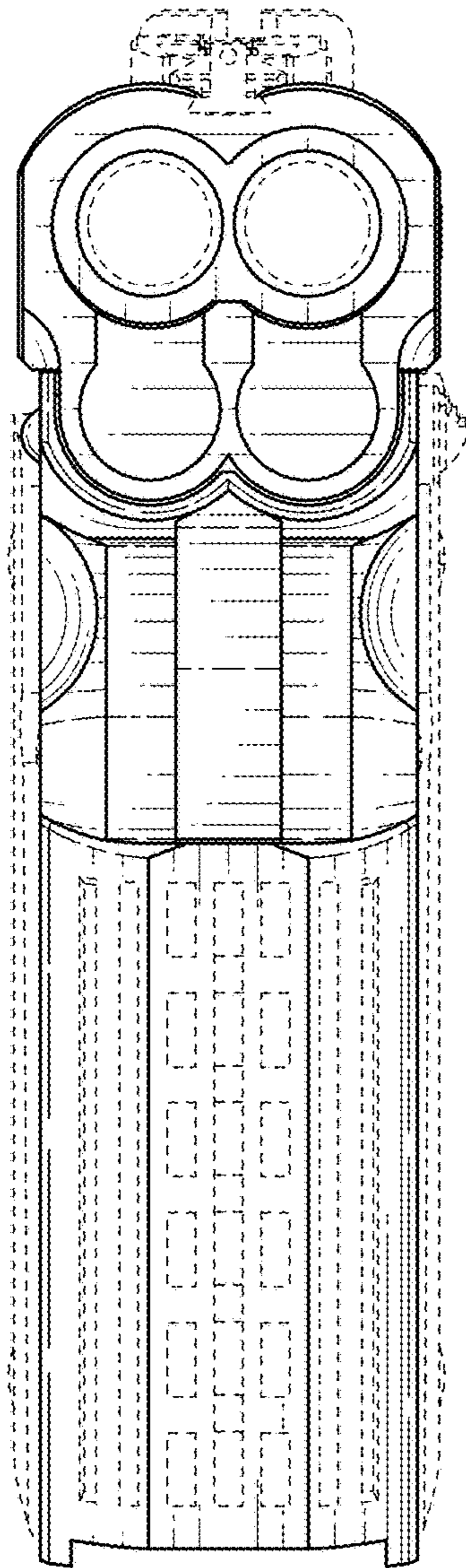


FIG. 2

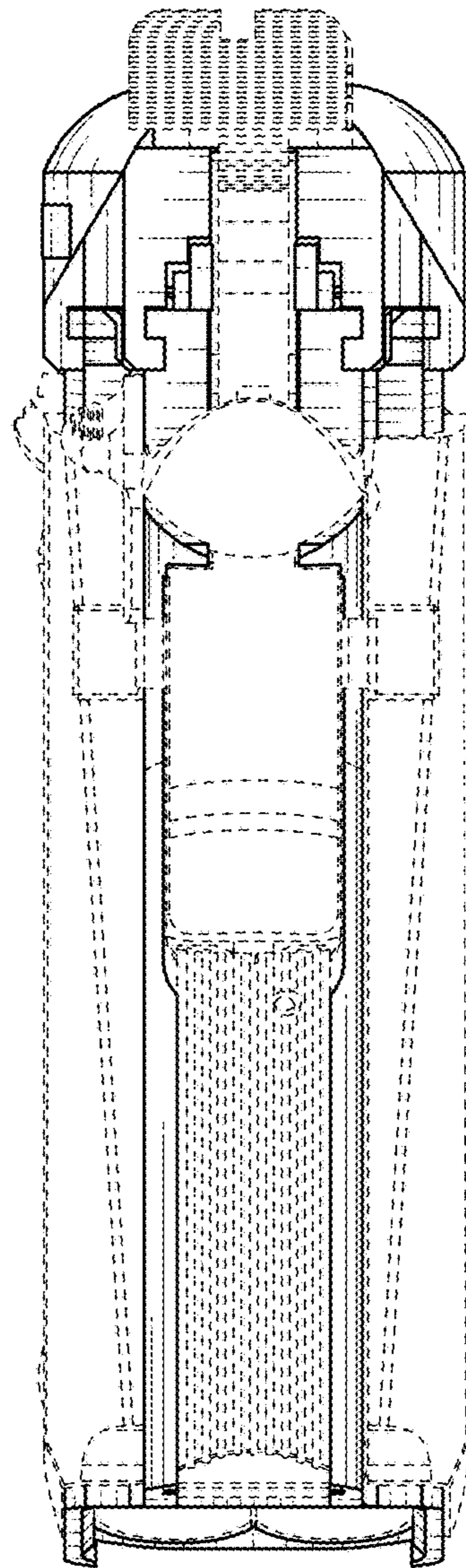


FIG. 3

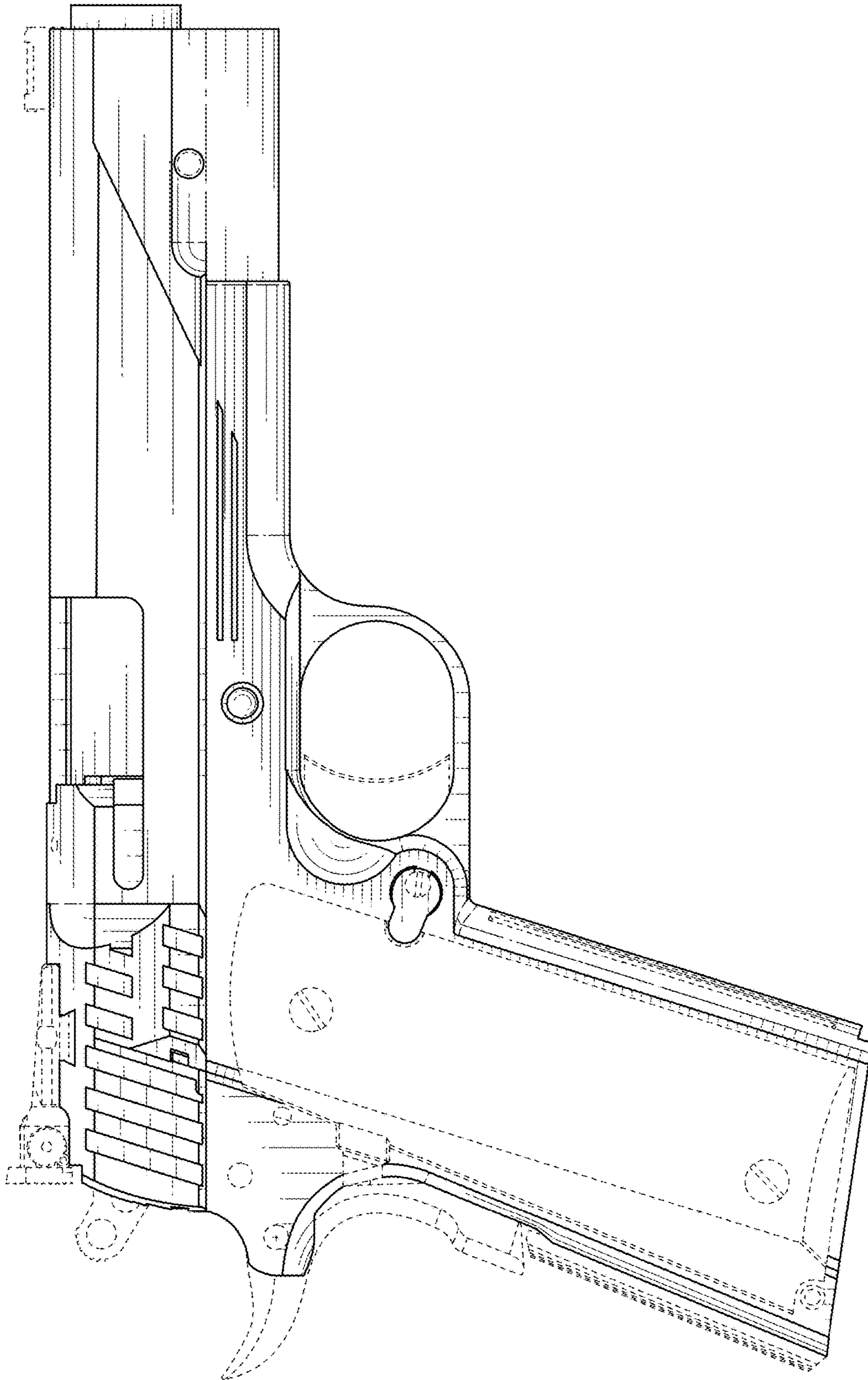


FIG. 4

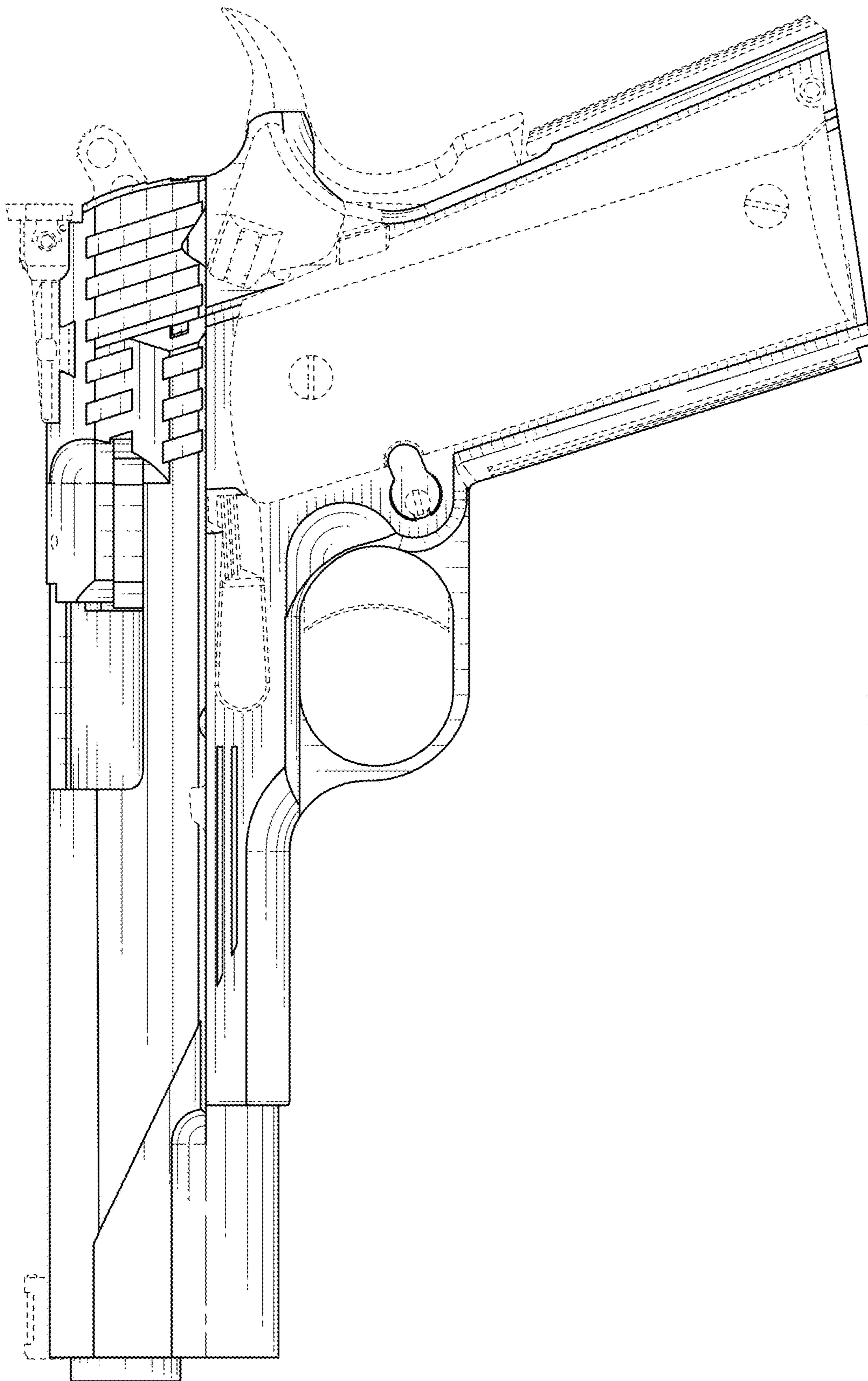


FIG. 5

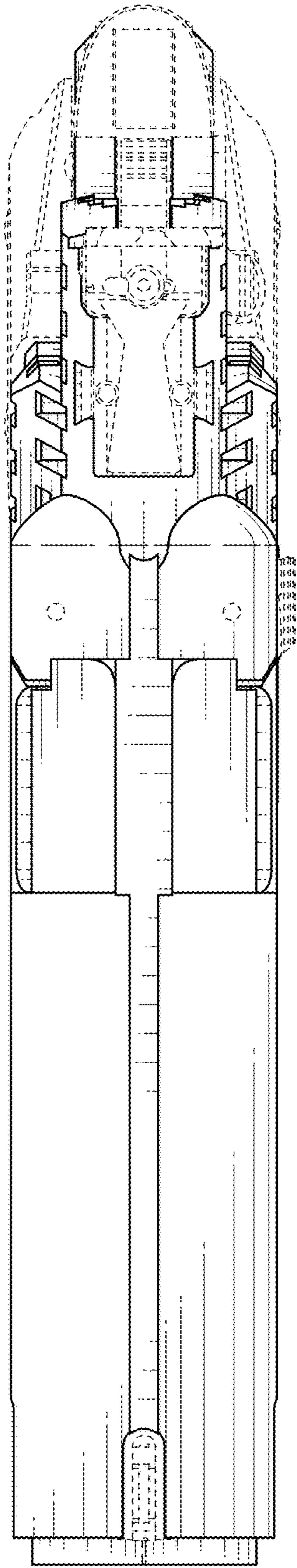


FIG. 6

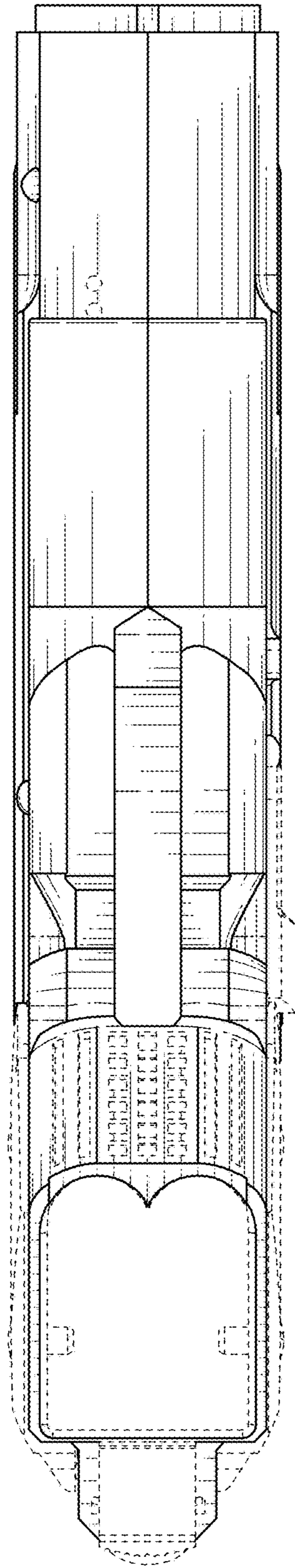


FIG. 7

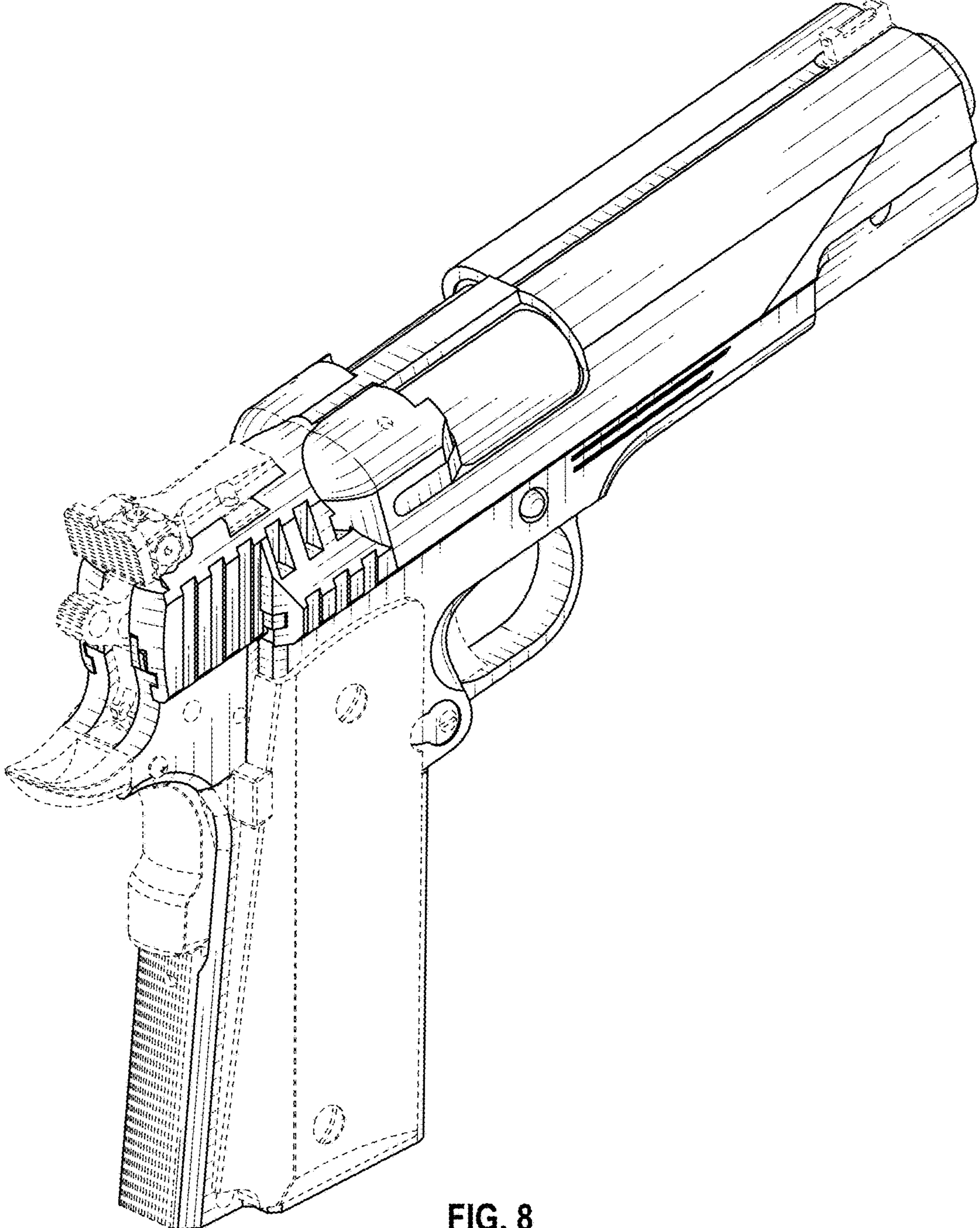


FIG. 8