



US00D827753S

(12) **United States Design Patent** (10) **Patent No.:** **US D827,753 S**
Lessard et al. (45) **Date of Patent:** **** Sep. 4, 2018**

(54) **FIREARM**

(71) Applicant: **Q, LLC**, Portsmouth, NH (US)

(72) Inventors: **Ethan Lessard**, East Kingston, NH (US); **Kevin Brittingham**, Portsmouth, NH (US); **Brian McDonald**, Portsmouth, NH (US); **Nicholas Schafer**, Portsmouth, NH (US); **Patrick Law**, Portsmouth, NH (US)

(73) Assignee: **Q, LLC**, Portsmouth, NH (US)

(**) Term: **15 Years**

(21) Appl. No.: **29/588,351**

(22) Filed: **Dec. 20, 2016**

(51) **LOC (11) Cl.** **22-01**

(52) **U.S. Cl.**
USPC **D22/103**

(58) **Field of Classification Search**
USPC D22/103, 104, 105, 108–110; D21/333, D21/401, 461, 567, 568, 570–575; D14/100, 101; D8/103, 108; 124/16, 26, 124/27, 28, 29, 54, 73–77; 222/78, 79; 42/54, 57, 58; 446/23, 182, 192, 401, 446/403, 405–407, 473, 475
CPC F41C 23/10; F41C 23/14; F41C 23/16; F41C 23/18; F41C 23/00; F41C 27/00; F41C 27/06; F41C 7/00; F41C 7/11; F41C 7/12; F41A 5/18; F41A 5/24; F41A 21/28; F41B 11/89; F41B 7/08
See application file for complete search history.

(56) **References Cited**

U.S. PATENT DOCUMENTS

7,798,045 B1 * 9/2010 Fitzpatrick F41A 21/481
42/69.02
D626,618 S * 11/2010 Peterson D22/103

D629,062 S * 12/2010 Peterson D22/103
D641,825 S * 7/2011 Gridelet D22/103
D645,532 S * 9/2011 Peterson D22/103
D709,581 S * 7/2014 Langevin D22/108

(Continued)

OTHER PUBLICATIONS

Honey Badger by Q, LiveQordie.com, [online], [site visited Nov. 3, 2017]. <URL: <https://liveqordie.com/product/rifles-by-q/honey-badger-by-q/>> (Year: 2017).*

(Continued)

Primary Examiner — T. Chase Nelson

Assistant Examiner — Jonathan J Han

(74) *Attorney, Agent, or Firm* — Fox Rothschild LLP

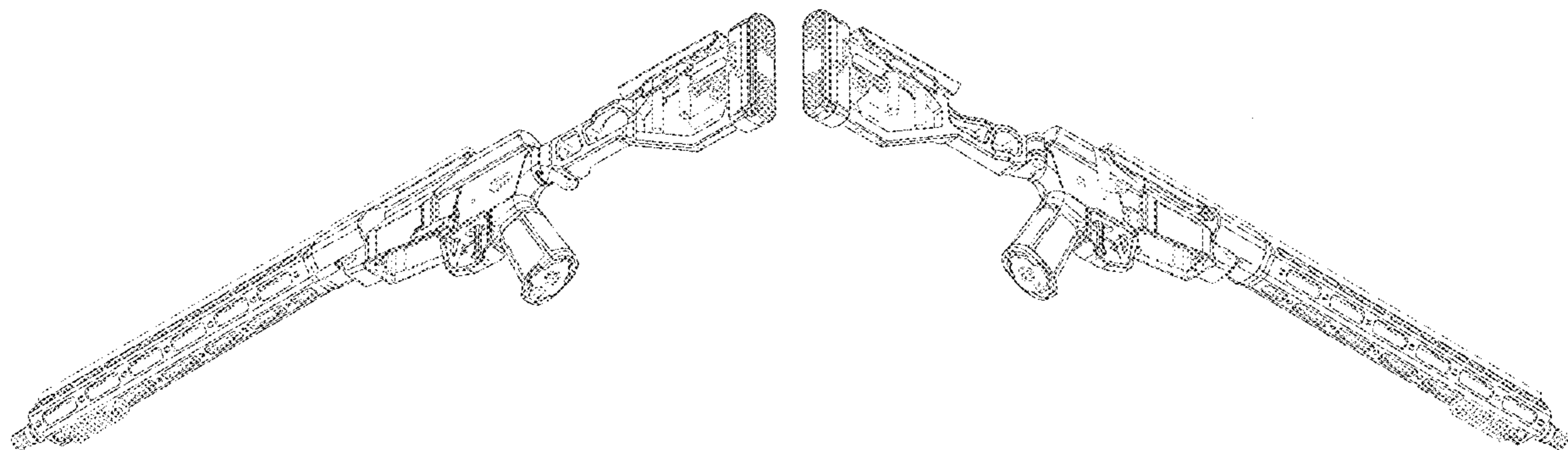
(57) **CLAIM**

The ornamental design for a firearm, as shown and described.

DESCRIPTION

FIG. 1 is bottom, rear, right side perspective view of a firearm in accordance with the present disclosure;
FIG. 2 is bottom, rear, left side perspective view of the firearm of FIG. 1;
FIG. 3 is a left side elevation view of the firearm of FIG. 1;
FIG. 4 is a right side elevation view of the firearm of FIG. 1;
FIG. 5 is a rear view of the firearm of FIG. 1;
FIG. 6 is a front view of the firearm of FIG. 1;
FIG. 7 is a top view of the firearm of FIG. 1; and,
FIG. 8 is a bottom view of the firearm of FIG. 1.
The broken lines in the Figures are used to illustrate unclaimed portions of the firearm and form no part of the claimed design. The claim is directed to only the solid line edges shown in the depiction of the firearm. The unshaded surfaces adjacent to the solid and broken lines are not claimed.

1 Claim, 4 Drawing Sheets



(56)

References Cited

U.S. PATENT DOCUMENTS

8,844,185 B2 * 9/2014 Jarboe F41C 23/04
42/73
D733,827 S * 7/2015 Serbu D22/103
9,097,478 B1 * 8/2015 Karagias F41A 15/12
9,482,478 B2 * 11/2016 Newman F41A 17/38
9,574,852 B1 * 2/2017 McKillips F41G 11/003
D785,122 S * 4/2017 Mather D22/104
9,658,020 B2 * 5/2017 Daniel F41A 21/485
9,664,476 B1 * 5/2017 Robinson F41C 23/04
9,664,478 B2 * 5/2017 Robinson F41C 23/14
D795,984 S * 8/2017 Frederickson D22/108
9,733,030 B2 * 8/2017 Daniel F41A 3/72
2010/0000139 A1 * 1/2010 Brown F41A 3/66
42/96
2011/0023699 A1 * 2/2011 Barrett F41A 5/28
89/193
2012/0131835 A1 * 5/2012 Barrett F41A 3/26
42/75.02
2012/0216439 A1 * 8/2012 Barrett F41A 3/26
42/75.02
2014/0013642 A1 * 1/2014 Larson, Jr. F41C 23/16
42/71.01
2014/0311004 A1 * 10/2014 Barrett F41A 17/42
42/16
2015/0007478 A1 * 1/2015 Barrett F41A 21/481
42/75.02
2015/0369555 A1 * 12/2015 Daniel F41A 21/485
42/75.02

2016/0018181 A1 * 1/2016 Swadener F41A 35/06
42/90
2016/0033218 A1 * 2/2016 Folkestad, II F41A 3/66
89/194
2016/0033219 A1 * 2/2016 Meier F41A 3/66
89/191.01
2016/0290761 A1 * 10/2016 Cook, Jr. F41C 23/16
2017/0059264 A1 * 3/2017 Geissele F41A 3/84
2017/0059273 A1 * 3/2017 Geissele F41C 23/16
2017/0146312 A1 * 5/2017 Groves F41A 21/30
2017/0153075 A1 * 6/2017 DeSomma F41A 3/66
2017/0241724 A1 * 8/2017 Lammers F41A 5/26
2017/0307321 A1 * 10/2017 DeSomma F41A 21/10

OTHER PUBLICATIONS

The Fix by Q, LiveQordie.com, [online], [site visited Nov. 3, 2017].
<URL: <https://liveqordie.com/product/rifles-by-q/the-fix-by-q/>>
(Year: 2017).*
We knew Q LLC was going to make Next-Gen ARs and Silencers, but we didn't expect The Fix, RecoilWeb.com, Rob Curtis, Jan. 16, 2017, [online], [site visited Nov. 3, 2017]. <URL: <http://www.recoilweb.com/we-knew-q-llc-was-going-to-make-next-gen-ars-and-silencers-but-we-didnt-expect-the-fix-122186.html>> (Year: 2017).*
Q's "The Fix" w/Kevin Brittingham (SHOT Show Range Day 2017), YouTube.com, Jeremy S., Published on Jan. 16, 2017, [online], [site visited Nov. 3, 2017]. <URL: <https://www.youtube.com/watch?v=lxemGbLZX8U>> (Year: 2017).*

* cited by examiner

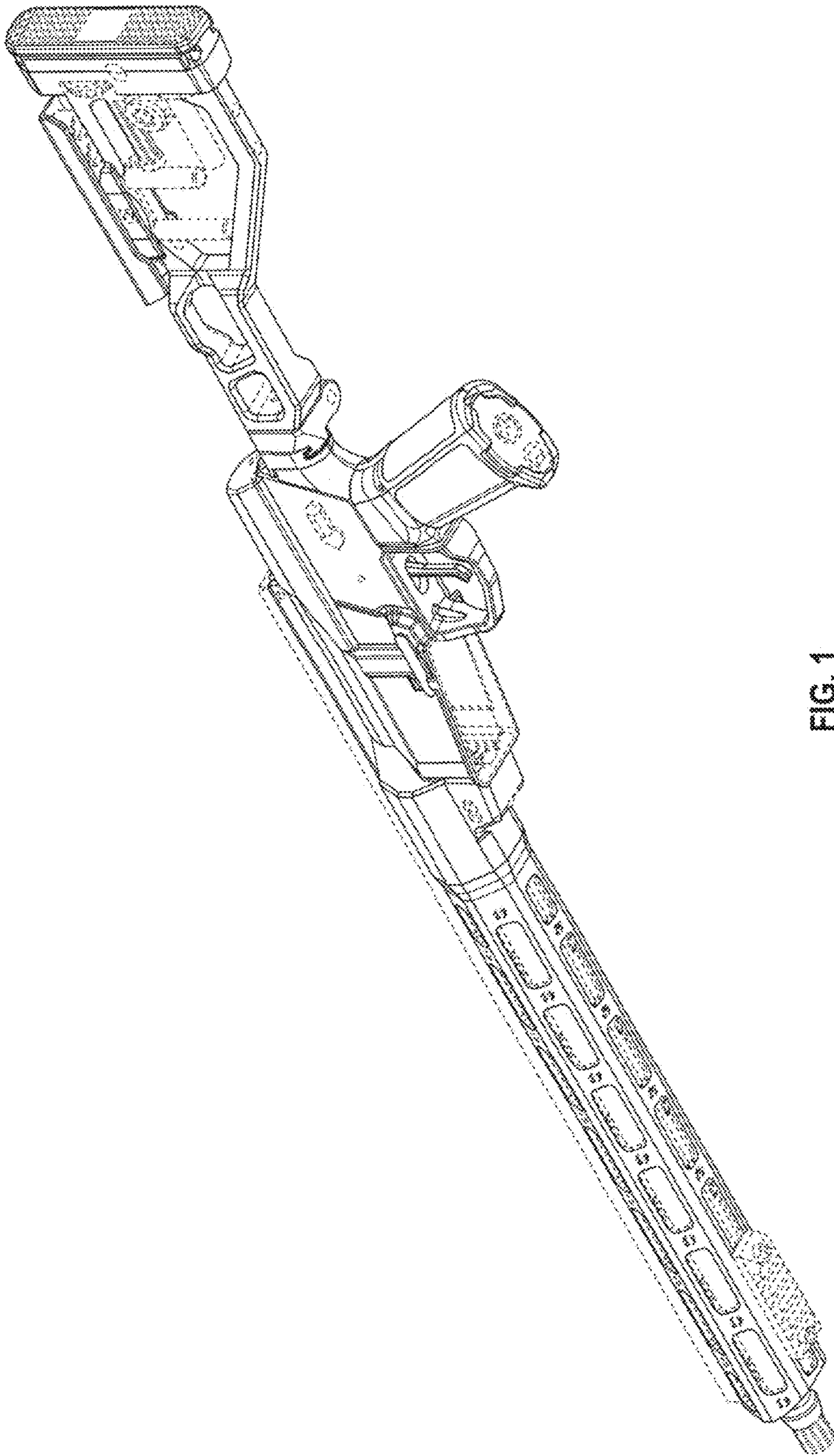


FIG. 1

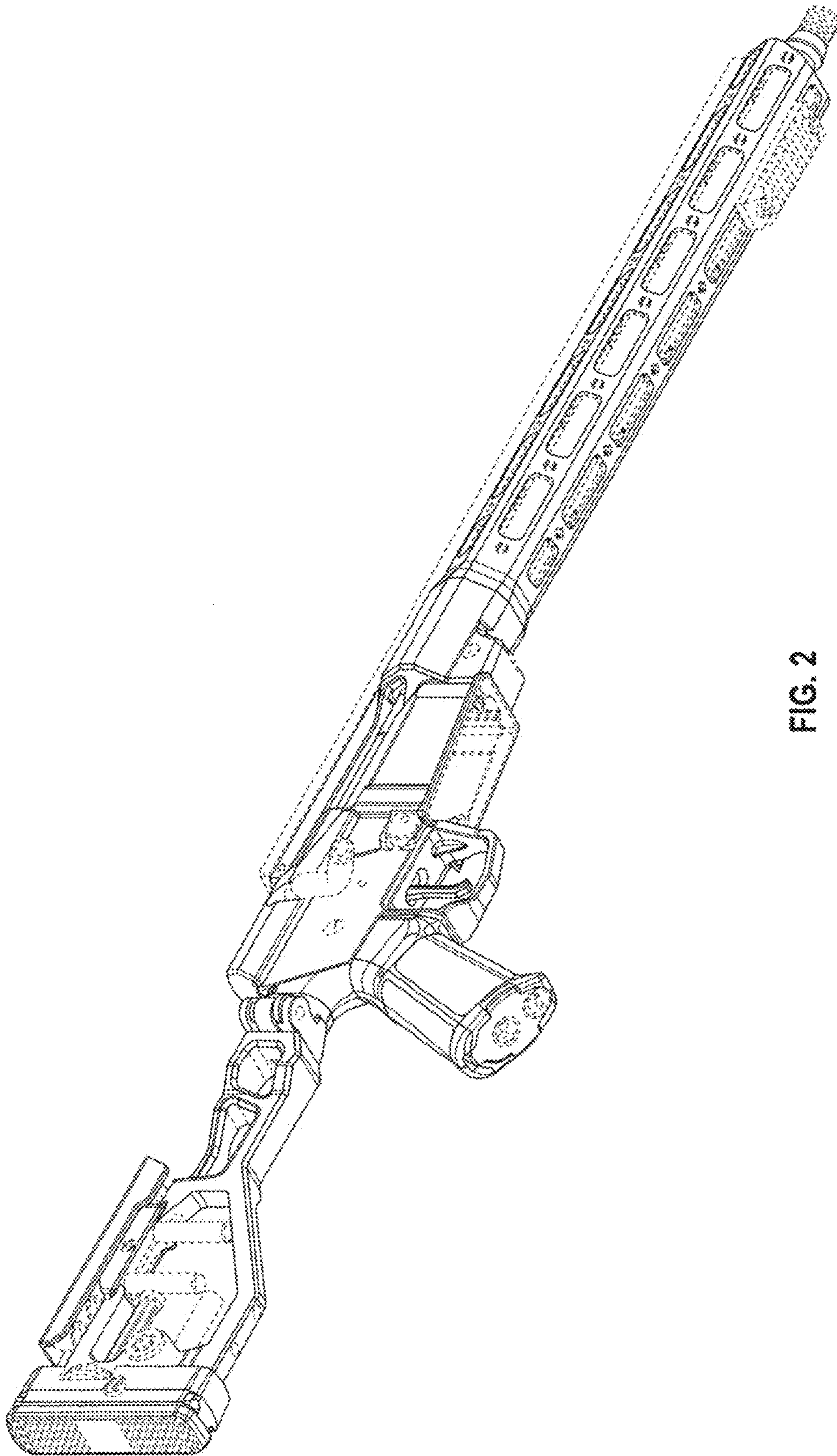


FIG. 2

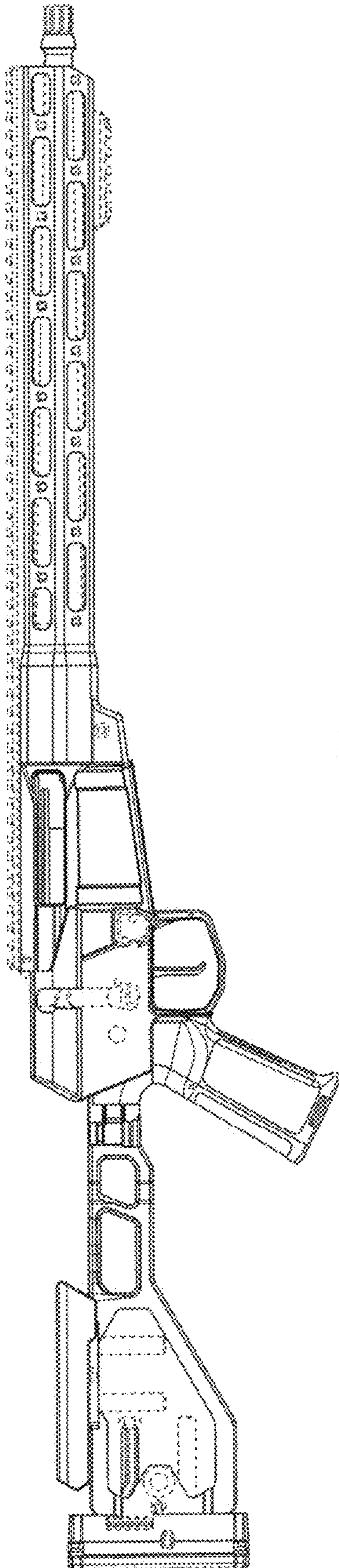


FIG. 3

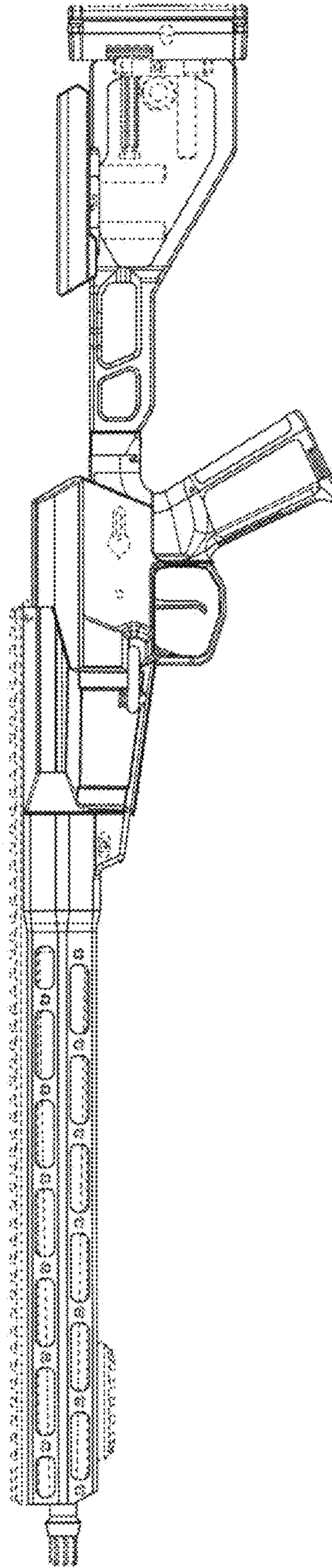


FIG. 4

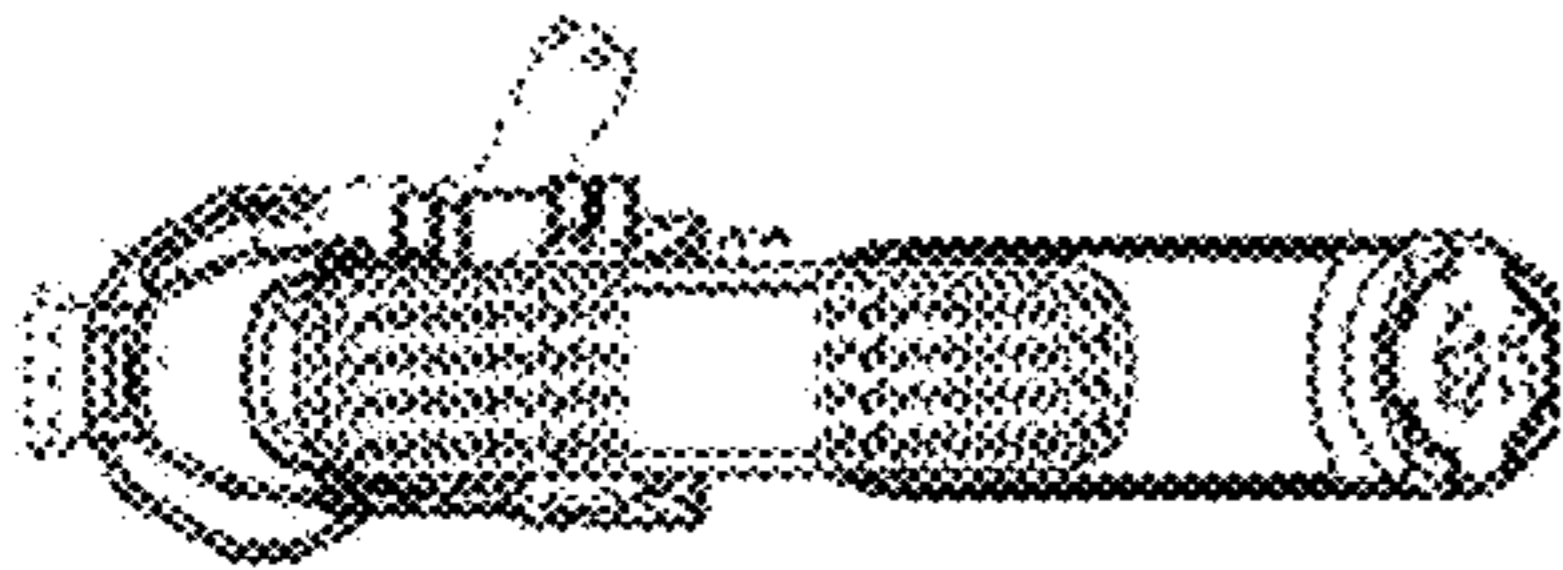


FIG. 5

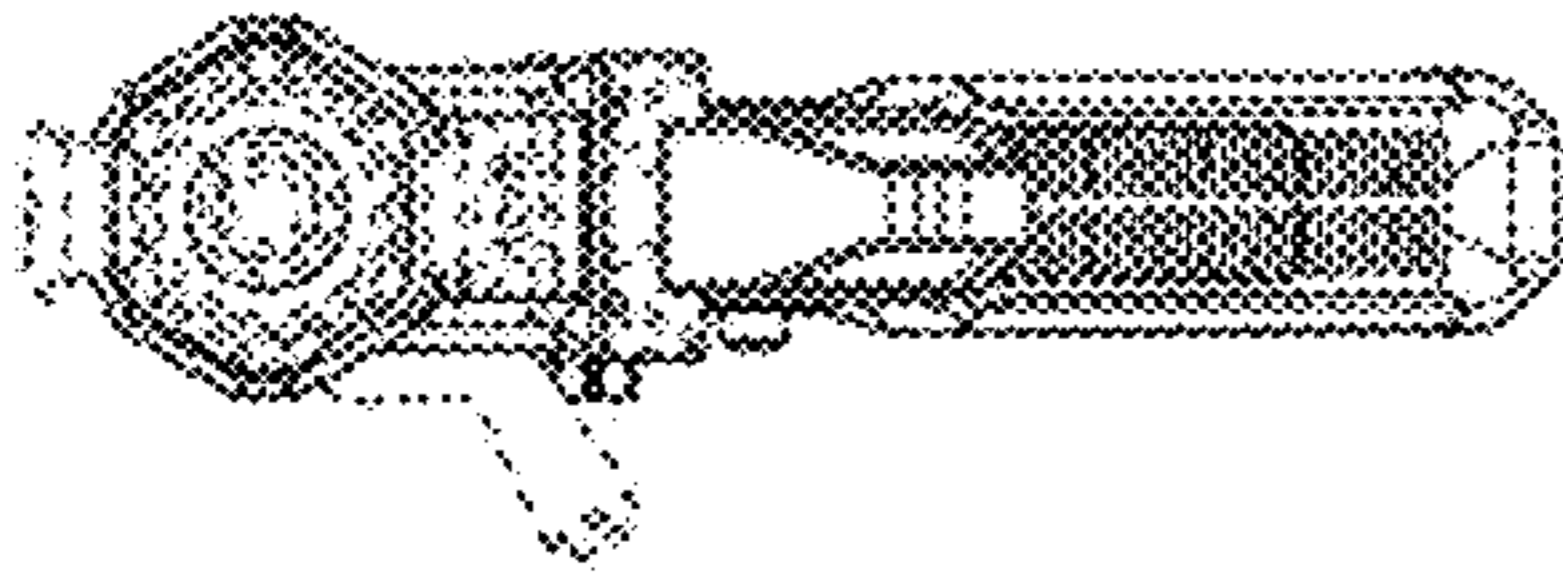


FIG. 6

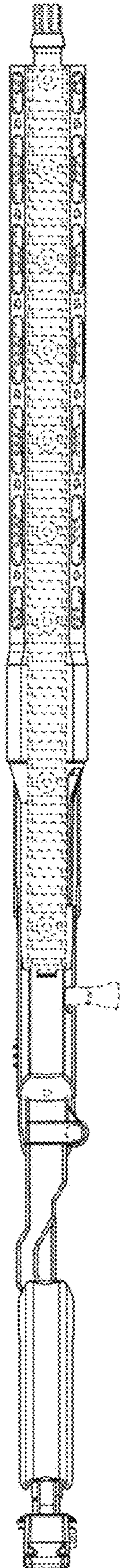


FIG. 7

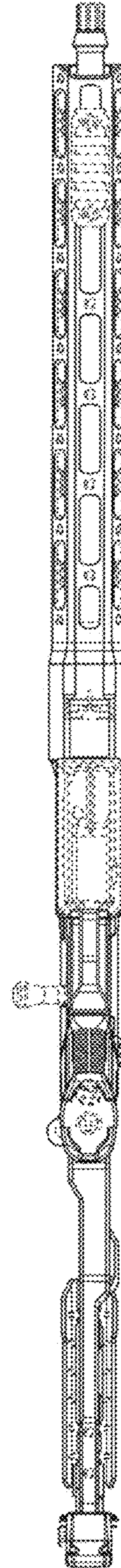


FIG. 8