



US00D827750S

(12) **United States Design Patent** (10) **Patent No.:** **US D827,750 S**
Huang et al. (45) **Date of Patent:** **** Sep. 4, 2018**

(54) **FLOATING DEVICE** 5,588,892 A * 12/1996 McMahon B63C 9/115
441/116
(71) Applicant: **BESTWAY INFLATABLES &** D379,397 S * 5/1997 McMahon D21/805
MATERIAL CORP., Shanghai (CN) D379,839 S * 6/1997 McMahon D21/805
D439,028 S * 3/2001 Shaffer D2/731
(72) Inventors: **Shuiyong Huang,** Shanghai (CN); 6,260,199 B1 7/2001 Grunstein et al.
Binbin Zhou, Shanghai (CN) 6,871,357 B2 3/2005 Herman et al.
D523,588 S * 6/2006 Henson D29/101.4
7,438,619 B2 10/2008 Staver et al.
(73) Assignee: **Bestway Inflatables & Material Corp.,** D623,714 S * 9/2010 Steger B63C 9/135
Shanghai (CN) D21/805

(Continued)

(**) Term: **15 Years**

FOREIGN PATENT DOCUMENTS

(21) Appl. No.: **29/604,249**

WO 2014177731 11/2014

(22) Filed: **May 16, 2017**

OTHER PUBLICATIONS

(30) **Foreign Application Priority Data**

Feb. 15, 2017 (CN) 2017 3 0039986

Fisher-Price Swim Pal : Announced 2017 [online], site visited Mar. 13, 2018. Available from Internet URL: <http://www.bestwaycorp.us/Product/ProductForm?productId=4572>.*

(51) **LOC (11) Cl.** **29-02**

(52) **U.S. Cl.**

USPC **D21/805**

(58) **Field of Classification Search**

USPC D21/803-805; D29/101.4

CPC B63C 9/115; B63C 9/135

See application file for complete search history.

Primary Examiner — Garth Rademaker

Assistant Examiner — Melvin L Davis

(74) *Attorney, Agent, or Firm* — McDermott Will & Emery LLP

(57) **CLAIM**

The ornamental design for a floating device, as shown.

(56) **References Cited**

U.S. PATENT DOCUMENTS

2,629,118 A * 2/1953 Frieder B63C 9/115

441/110

2,893,020 A * 7/1959 Miller B63C 9/115

441/116

D187,312 S * 2/1960 Githens D21/805

3,141,180 A 7/1964 Pursley et al.

D293,960 S * 2/1988 Berenson D2/731

D310,700 S * 9/1990 Jones D21/805

5,295,765 A * 3/1994 Choi B63C 11/08

405/186

5,413,485 A 5/1995 Adee

5,459,874 A 10/1995 Meredith

DESCRIPTION

FIG. 1 is an upper perspective view of a floating device;

FIG. 2 is a front view thereof;

FIG. 3 is a rear view thereof;

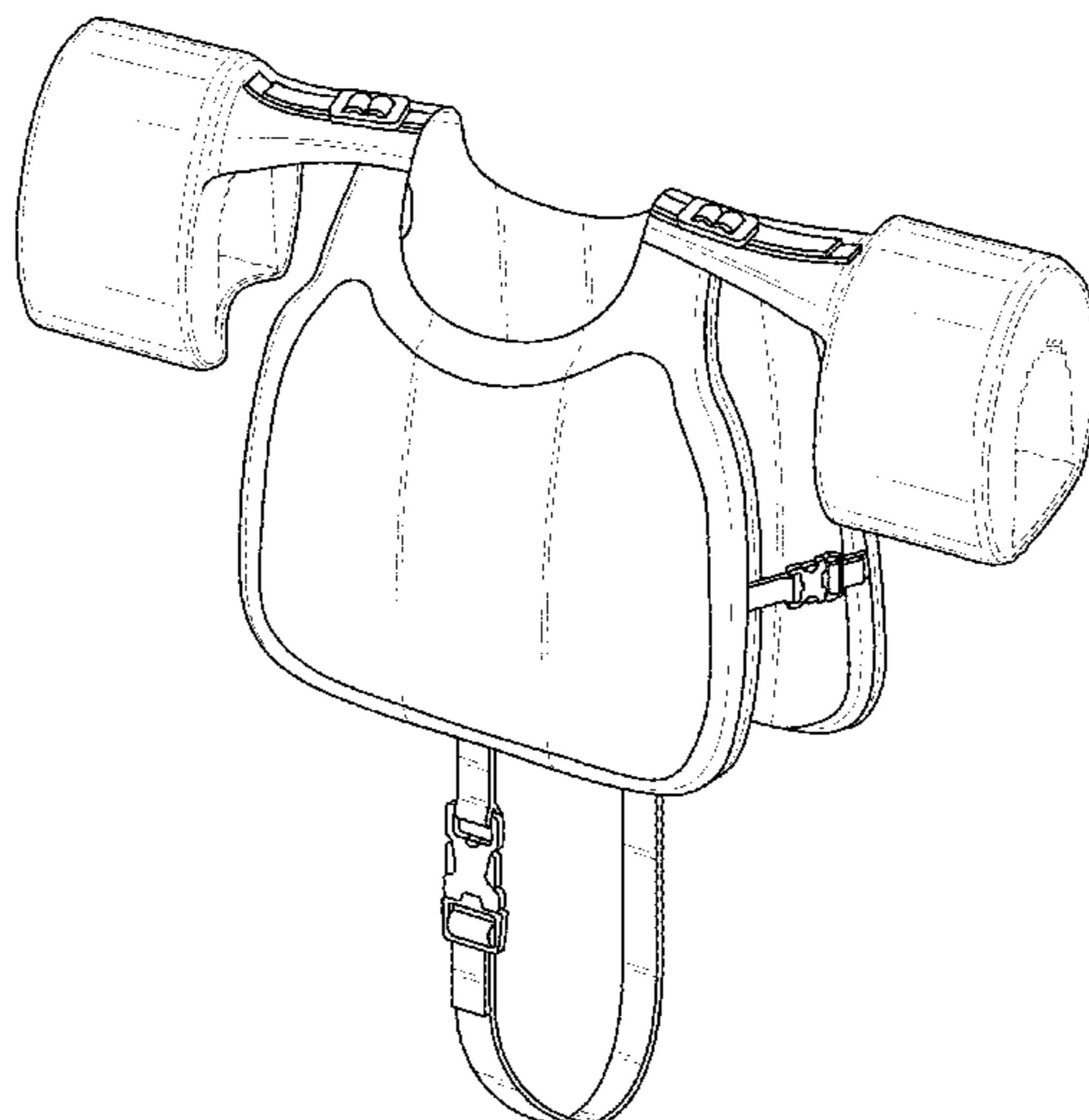
FIG. 4 is a left side view thereof;

FIG. 5 is a top view; and,

FIG. 6 is a bottom view thereof.

The showing of evenly broken lines is included for the purpose of illustrating portions of the floating device that form no part of the claimed design.

1 Claim, 6 Drawing Sheets



(56)

References Cited

U.S. PATENT DOCUMENTS

D679,355 S *	4/2013	Fireman	D21/805
8,591,275 B2	11/2013	Gonsalves et al.	
D812,307 S *	3/2018	Nieberding	D29/101.4
2015/0064999 A1 *	3/2015	Kazazian	B63C 9/115 441/107

* cited by examiner

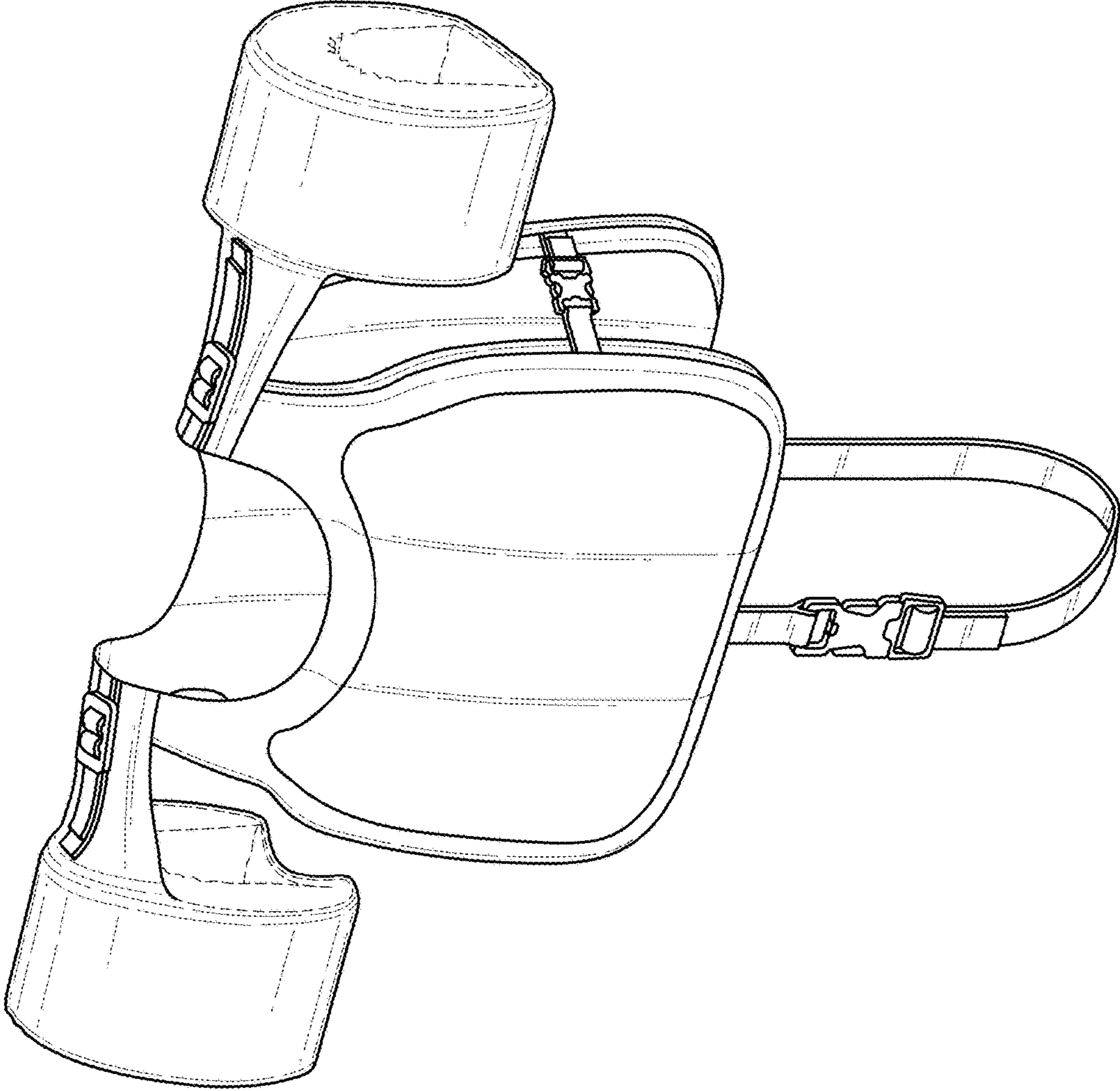


Fig. 1

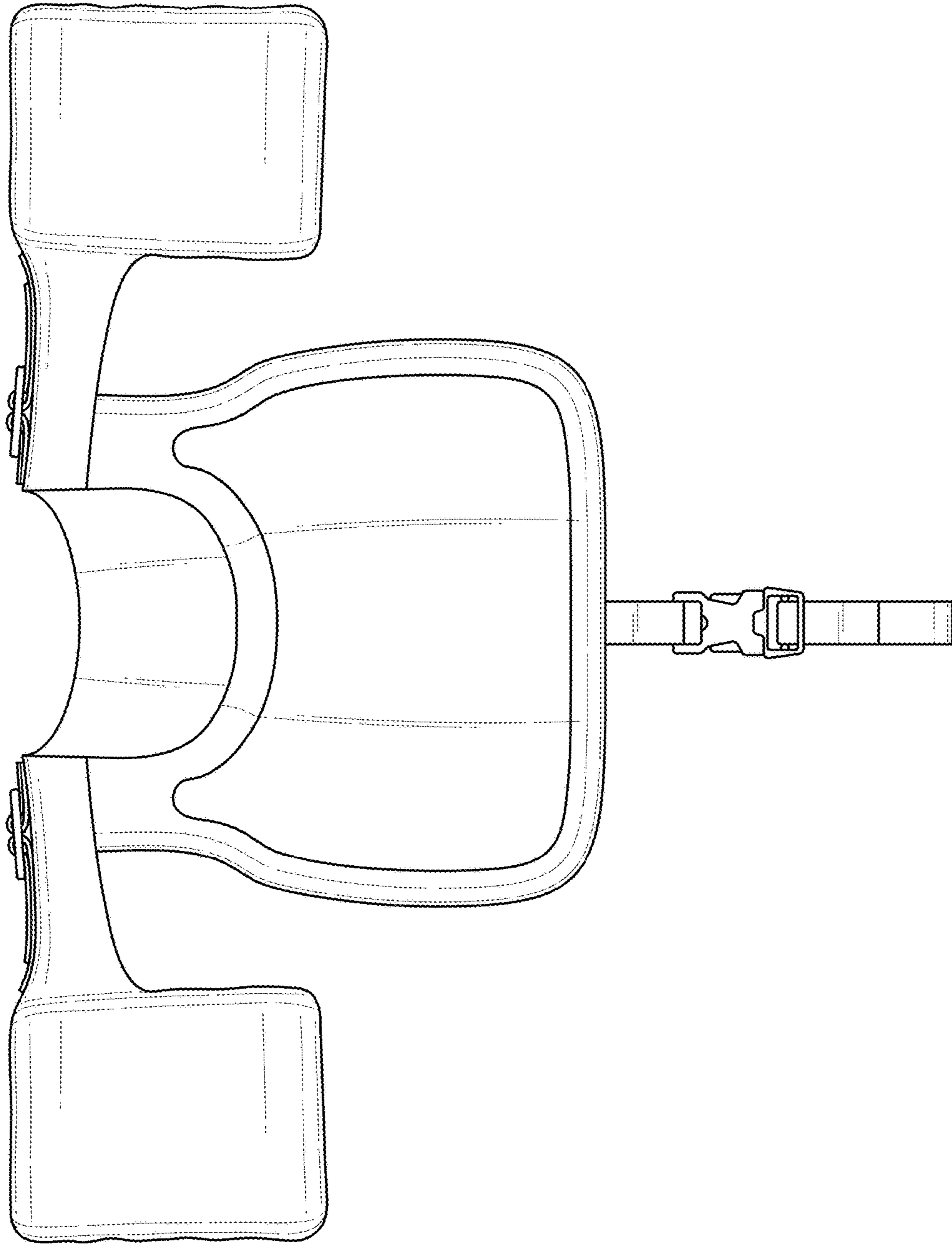


Fig. 2

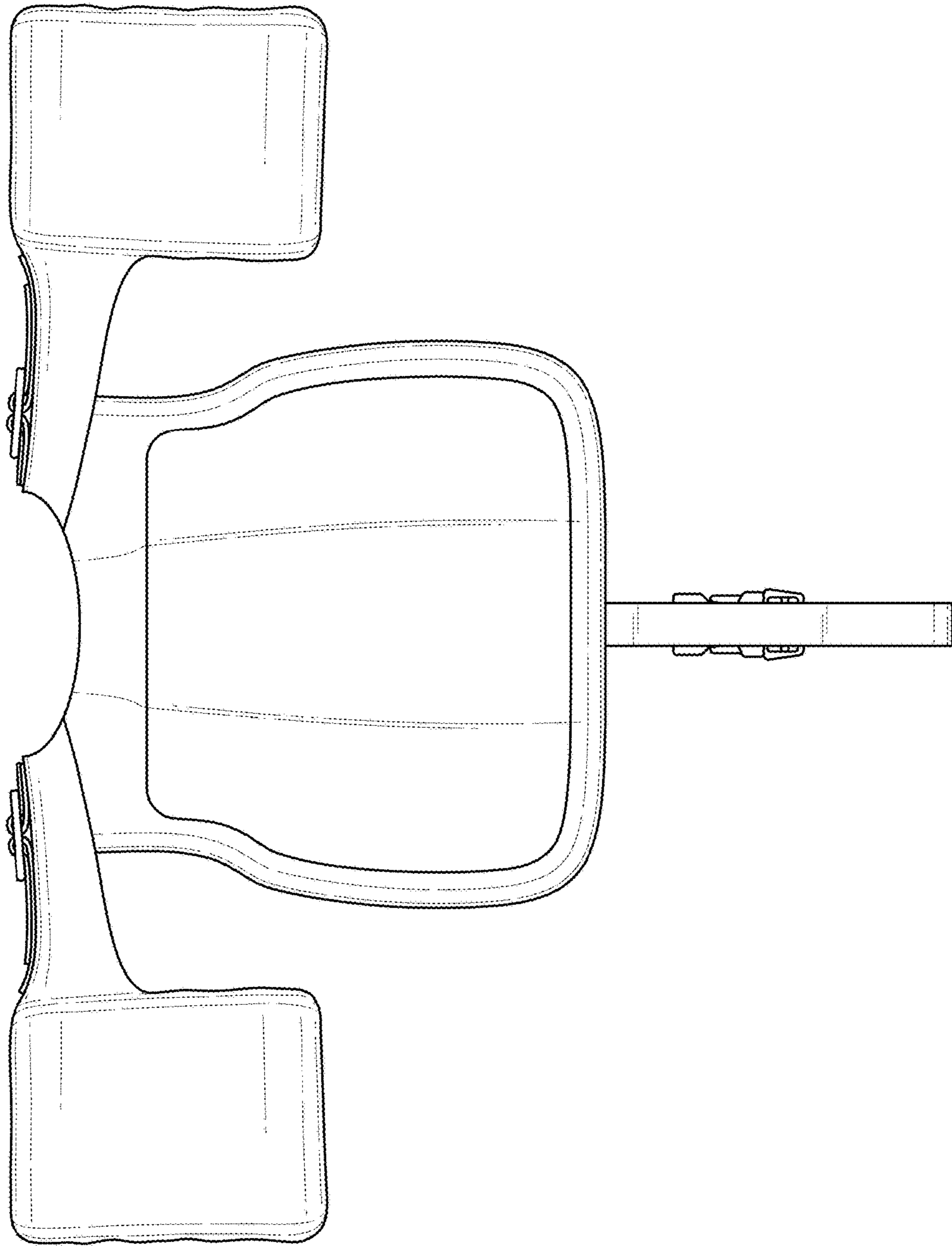


Fig. 3

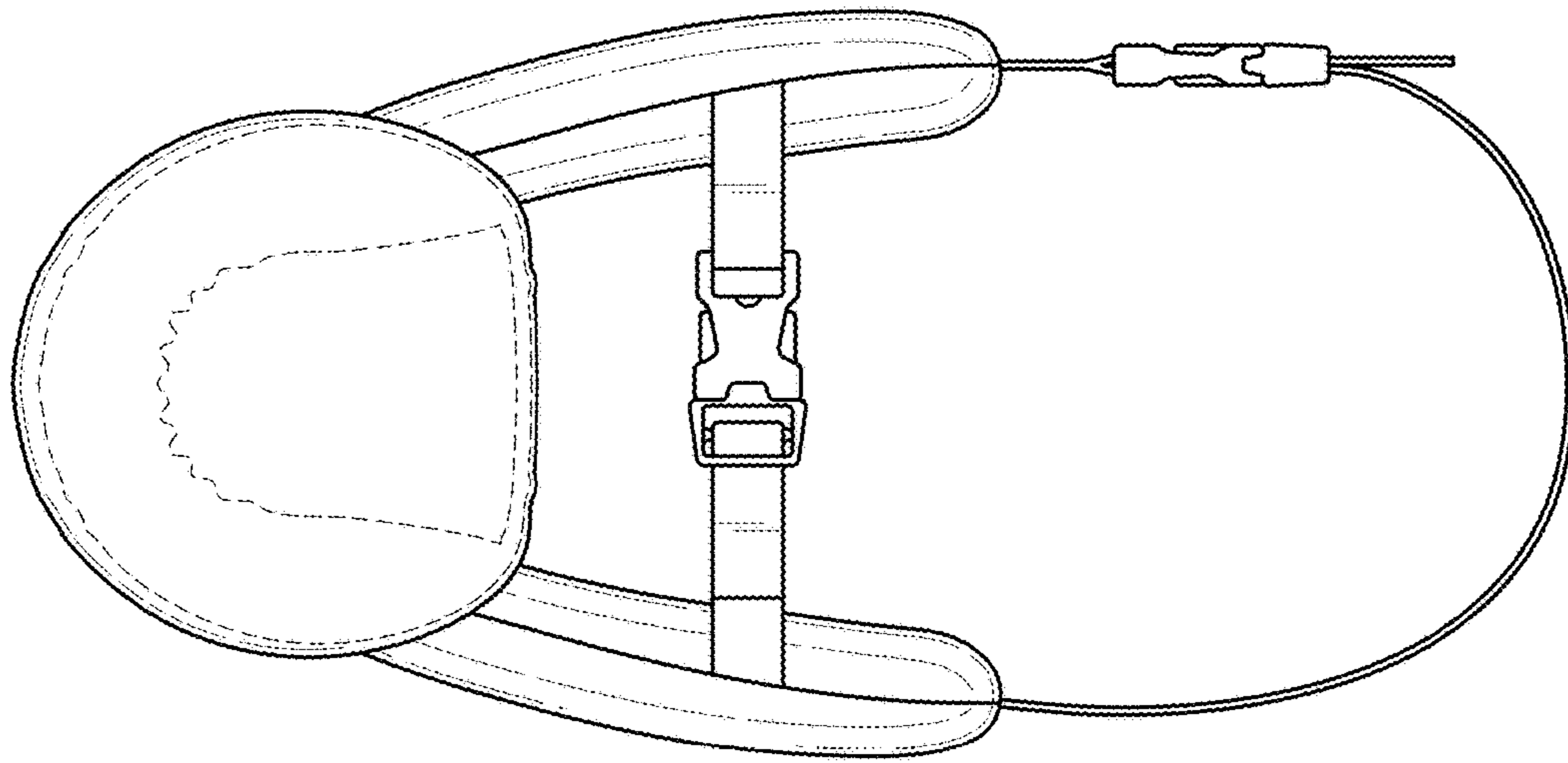


Fig. 4

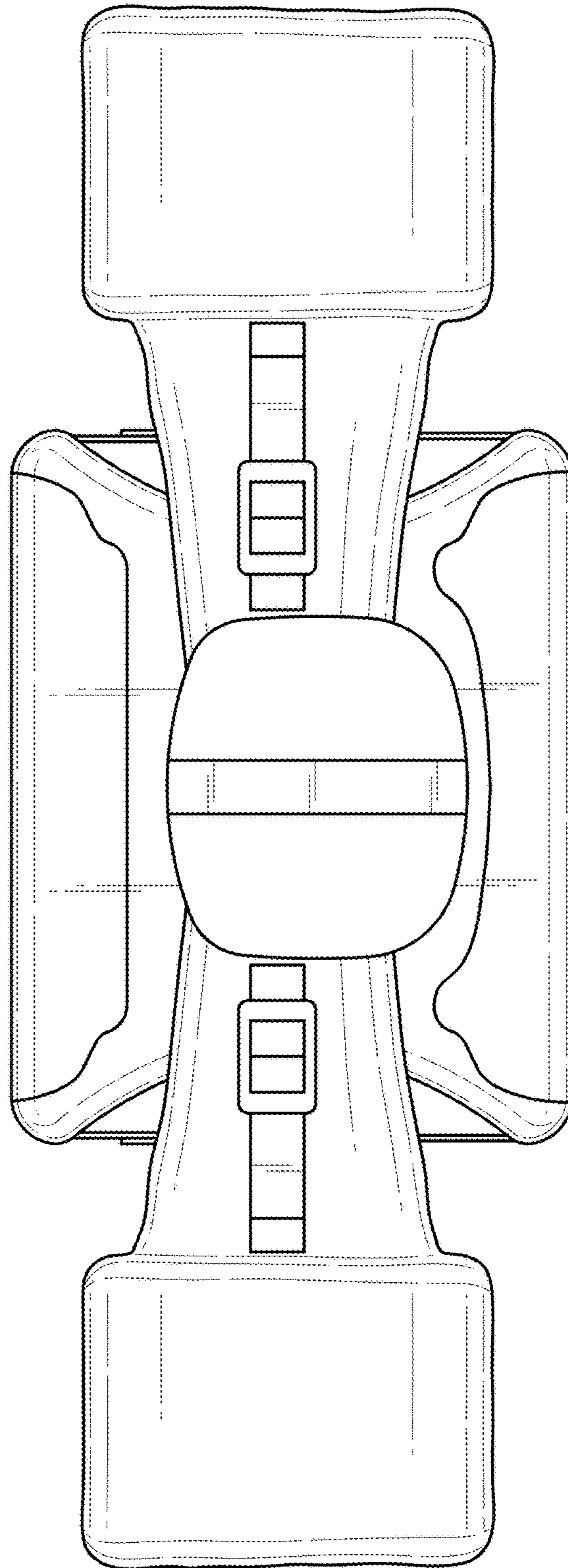


Fig. 5

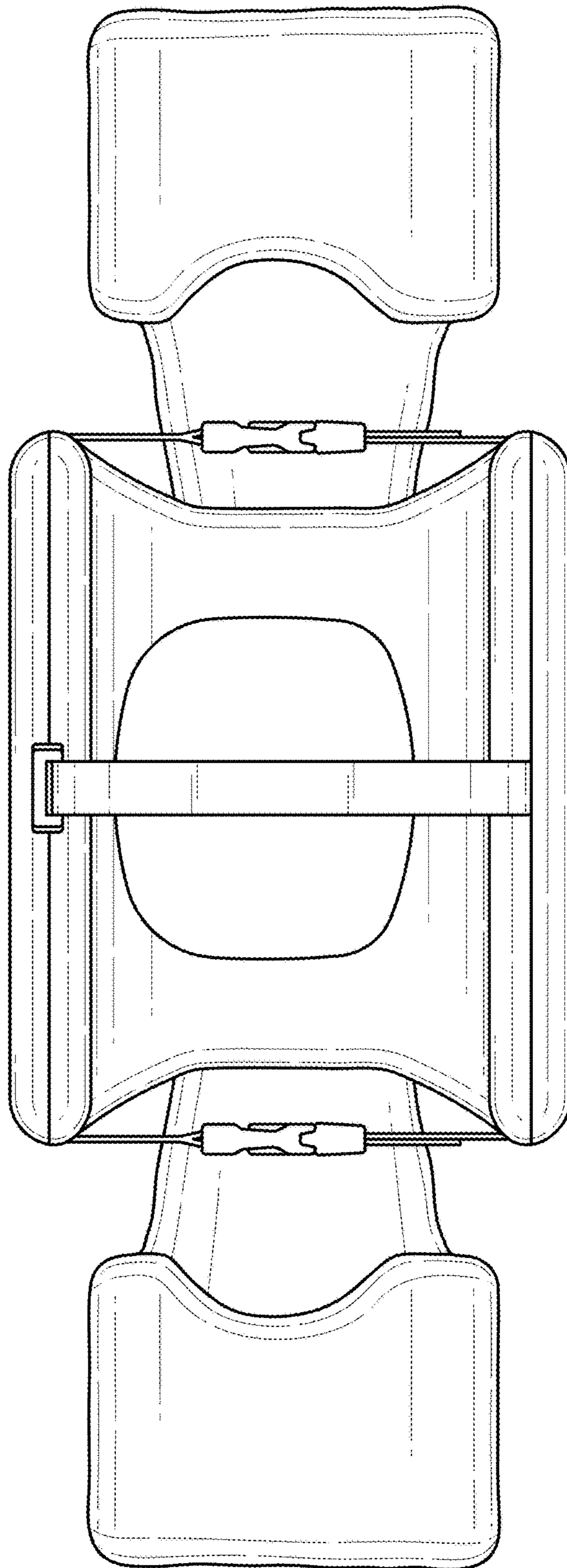


Fig. 6