

US00D827749S

(12) **United States Design Patent** (10) **Patent No.:** **US D827,749 S**  
**Camacho et al.** (45) **Date of Patent:** **\*\* Sep. 4, 2018**

(54) **SELF-RIGHTING TARGET**  
(71) Applicants: **Roberto Camacho**, Kansas City, MO (US); **Maxwell T. Hasselquist**, Paola, KS (US)  
(72) Inventors: **Roberto Camacho**, Kansas City, MO (US); **Maxwell T. Hasselquist**, Paola, KS (US)  
(\*\*) Term: **15 Years**  
(21) Appl. No.: **29/589,593**  
(22) Filed: **Jan. 3, 2017**  
(51) **LOC (11) Cl.** ..... **21-02**  
(52) **U.S. Cl.**  
USPC ..... **D21/787**  
(58) **Field of Classification Search**  
USPC ..... 273/390, 393, 407, 440-440.1, DIG. 4; 434/247, 256, 392; 446/268, 325, 333, 446/334, 336, 361, 390, 473, 487, 489; 473/422, 429, 441, 442, 443, 444; 482/83, 84, 85, 86, 87, 88, 89, 90; D20/32; D21/658, 662, 675, 694, 698, D21/787, 798; D29/116.1, 122  
CPC . A63B 69/20; A63B 2071/026; A63B 69/004; A63B 69/201  
See application file for complete search history.

3,307,848 A 3/1967 Sumner et al.  
3,558,135 A \* 1/1971 Rees ..... A63B 69/345 273/DIG. 4  
3,585,374 A 6/1971 Pollard  
3,651,328 A 3/1972 Hutto et al.  
3,730,528 A 5/1973 Corrado  
3,782,726 A 1/1974 Huffman et al.  
3,847,394 A 11/1974 Logemann et al.  
3,907,290 A 9/1975 Fischer et al.  
4,140,314 A 2/1979 Kaenel  
4,148,480 A 4/1979 Smith-Vaniz et al.  
4,181,481 A 1/1980 Jordan  
4,872,679 A 10/1989 Bohaski et al.  
5,335,906 A \* 8/1994 Delker ..... A63B 69/345 473/444  
D377,201 S \* 1/1997 Howard ..... D21/787  
5,624,358 A \* 4/1997 Hestilow ..... A63B 69/208 482/83

(Continued)

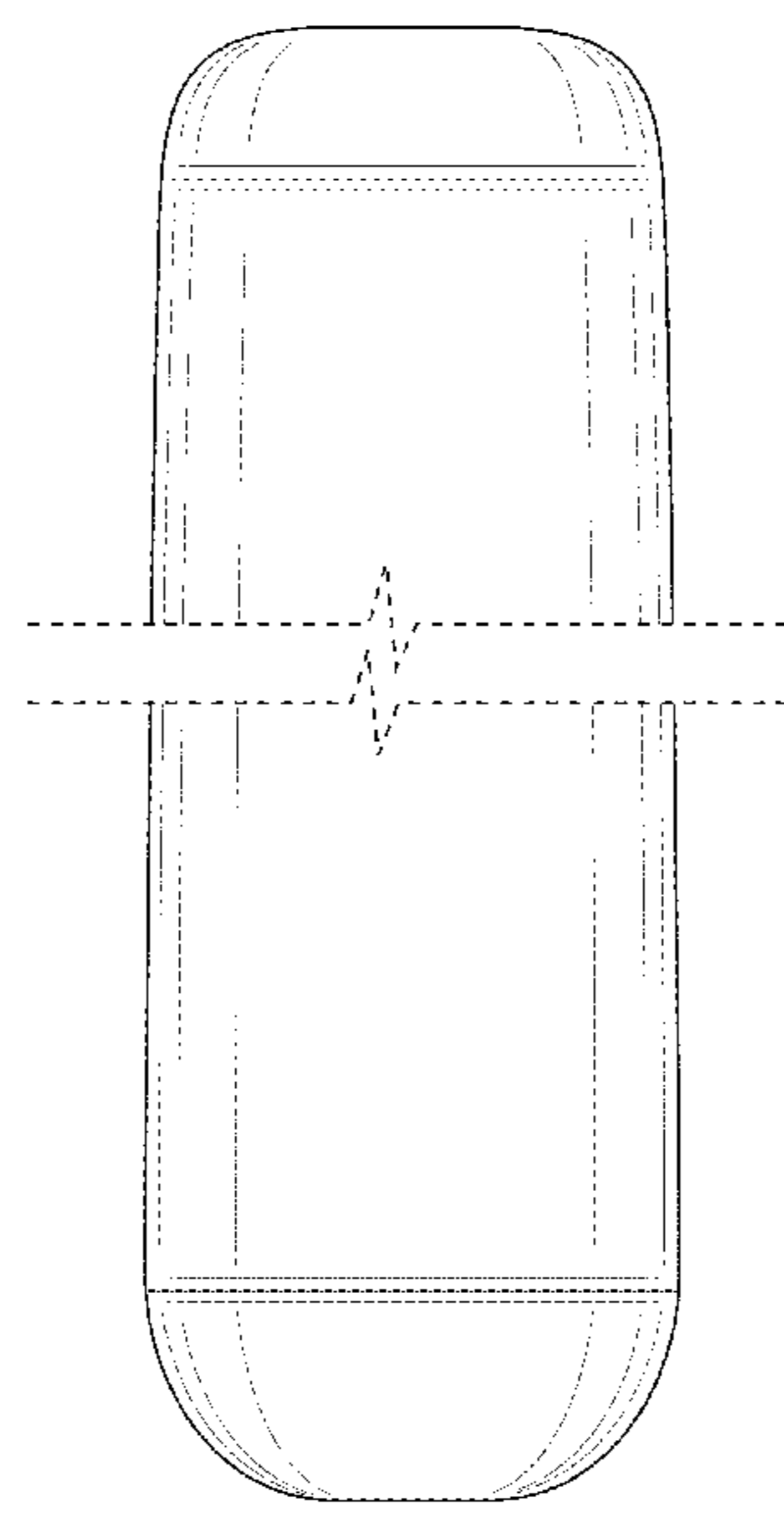
*Primary Examiner* — Cynthia Ramirez  
*Assistant Examiner* — Michael A Maharajh  
(74) *Attorney, Agent, or Firm* — Lathrop Gage L.L.P.

(57) **CLAIM**  
The ornamental design for a self-righting target, as shown and described.

**DESCRIPTION**

FIG. 1 is a front view of a self-righting target in accordance with the new design, the back view being a mirror image of the front view.  
FIG. 2 is a right side view of the self-righting target of FIG. 1, the left side view being a mirror image of the right side view.  
FIG. 3 is a top view of the self-righting target of FIG. 1; and, FIG. 4 is a bottom view of the self-righting target of FIG. 1. The self righting target is shown with a symbolic break in its length. The appearance of any portion of the article between the break lines forms no part of the claimed design.

**1 Claim, 3 Drawing Sheets**



(56)

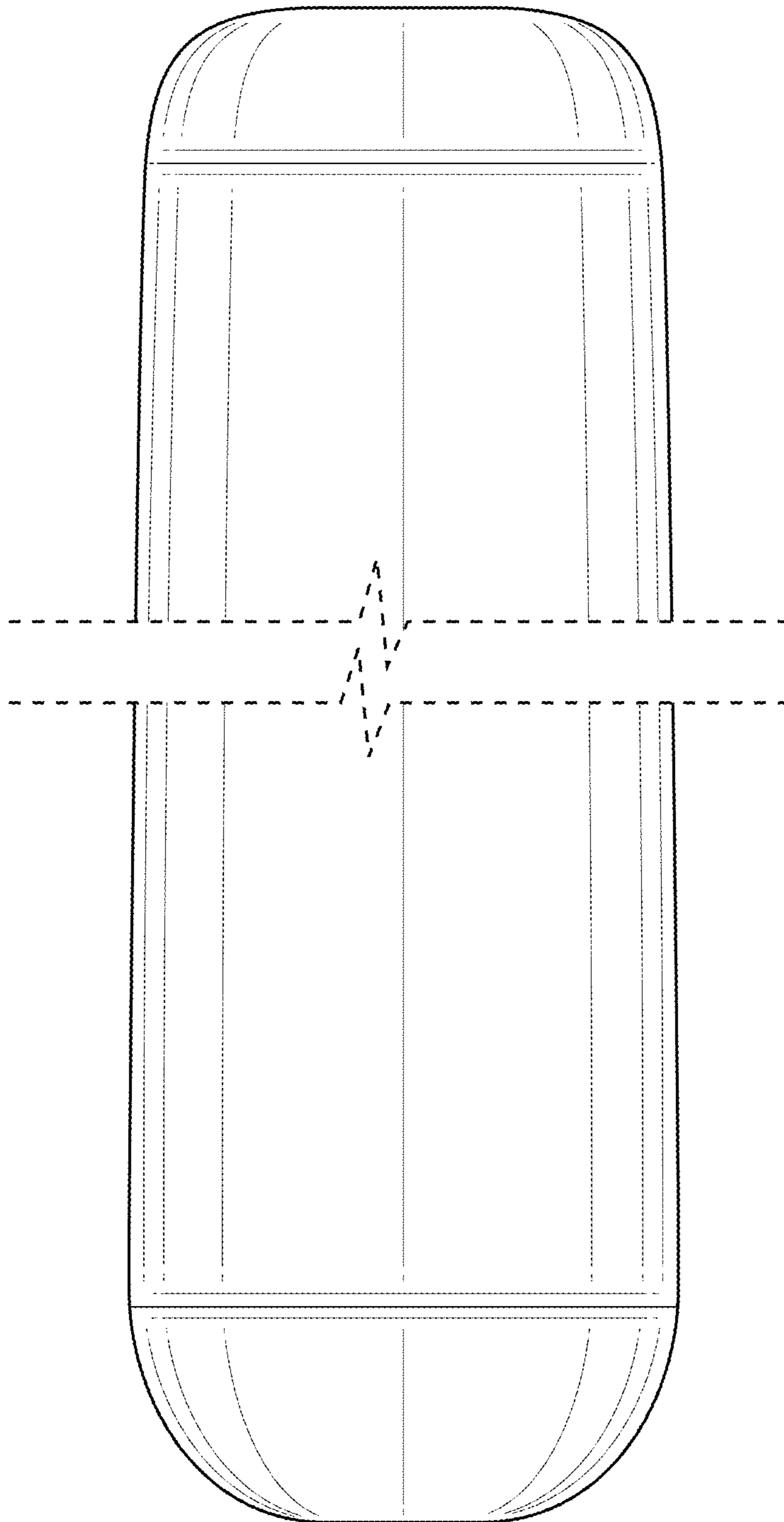
References Cited

U.S. PATENT DOCUMENTS

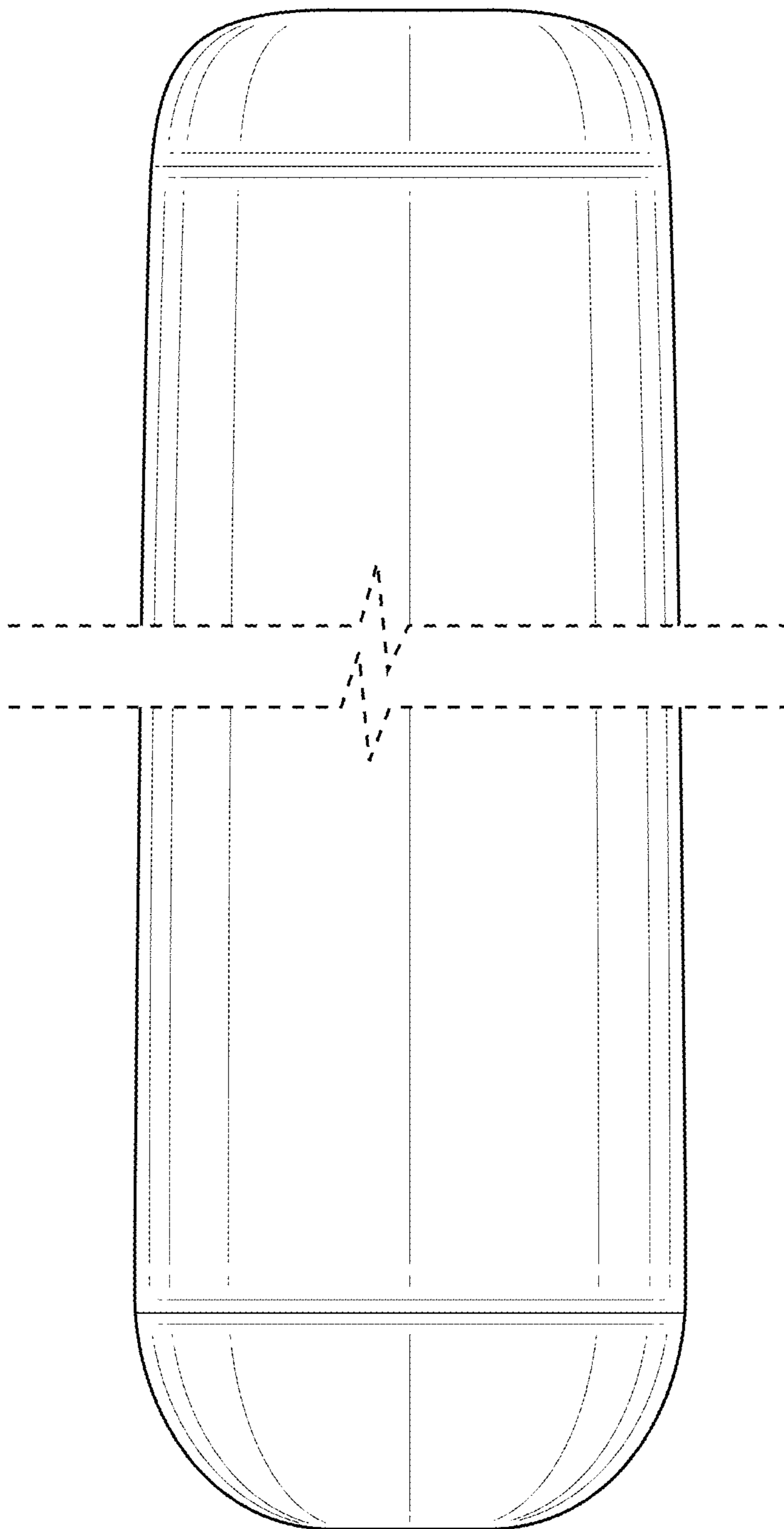
5,679,079 A 10/1997 Crosby et al.  
 5,709,607 A 1/1998 Mowers et al.  
 6,230,065 B1 5/2001 Tsujita  
 D483,828 S \* 12/2003 Perez ..... D21/787  
 6,899,331 B1 5/2005 Beyazbayrak  
 7,030,736 B2 4/2006 Bouchard et al.  
 RE39,372 E \* 11/2006 Kuo ..... D21/787  
 7,357,760 B1 \* 4/2008 Rios ..... A63B 69/004  
 473/444  
 7,435,184 B1 10/2008 Tsujita  
 8,342,475 B2 \* 1/2013 Tsakiris ..... A63B 69/201  
 482/86  
 D697,157 S \* 1/2014 Siklosi ..... A63B 69/004  
 D21/787  
 D709,976 S \* 7/2014 Clauder ..... D21/787  
 D731,012 S \* 6/2015 Gilman ..... D21/635  
 D762,797 S \* 8/2016 Pajonk-Taylor ..... D21/787  
 D792,933 S \* 7/2017 Warner ..... D21/787  
 D806,440 S \* 1/2018 Pulver ..... 6/601  
 2002/0010057 A1 \* 1/2002 Bouvier ..... A63B 69/201  
 482/86  
 2002/0086776 A1 \* 7/2002 Fields ..... A63B 69/201  
 482/83  
 2002/0115538 A1 \* 8/2002 Wen ..... A63B 69/34  
 482/83  
 2004/0097348 A1 \* 5/2004 Laudenslager ..... A63B 69/201  
 482/86

2006/0025285 A1 \* 2/2006 Giusti ..... A63B 69/201  
 482/83  
 2006/0058164 A1 \* 3/2006 Miller ..... A63B 69/201  
 482/87  
 2006/0100067 A1 \* 5/2006 Washburn ..... A63B 69/201  
 482/83  
 2007/0099771 A1 \* 5/2007 Fu ..... A63B 69/004  
 482/83  
 2007/0099772 A1 \* 5/2007 Fu ..... A63B 69/004  
 482/83  
 2008/0096733 A1 \* 4/2008 Epstein ..... A63B 69/201  
 482/83  
 2009/0051111 A1 2/2009 Andersen  
 2010/0093503 A1 \* 4/2010 Commeau ..... A63B 69/201  
 482/87  
 2010/0261584 A1 \* 10/2010 Tsakiris ..... A63B 69/201  
 482/86  
 2011/0251024 A1 \* 10/2011 Hu ..... A63B 69/201  
 482/86  
 2013/0324369 A1 \* 12/2013 Jackson ..... A63B 69/004  
 482/83  
 2013/0331235 A1 \* 12/2013 Fields ..... A63B 69/208  
 482/83  
 2014/0066268 A1 \* 3/2014 Hafeken, Sr. .... A63B 69/20  
 482/85  
 2015/0273306 A1 \* 10/2015 Fu ..... A63B 69/201  
 482/87

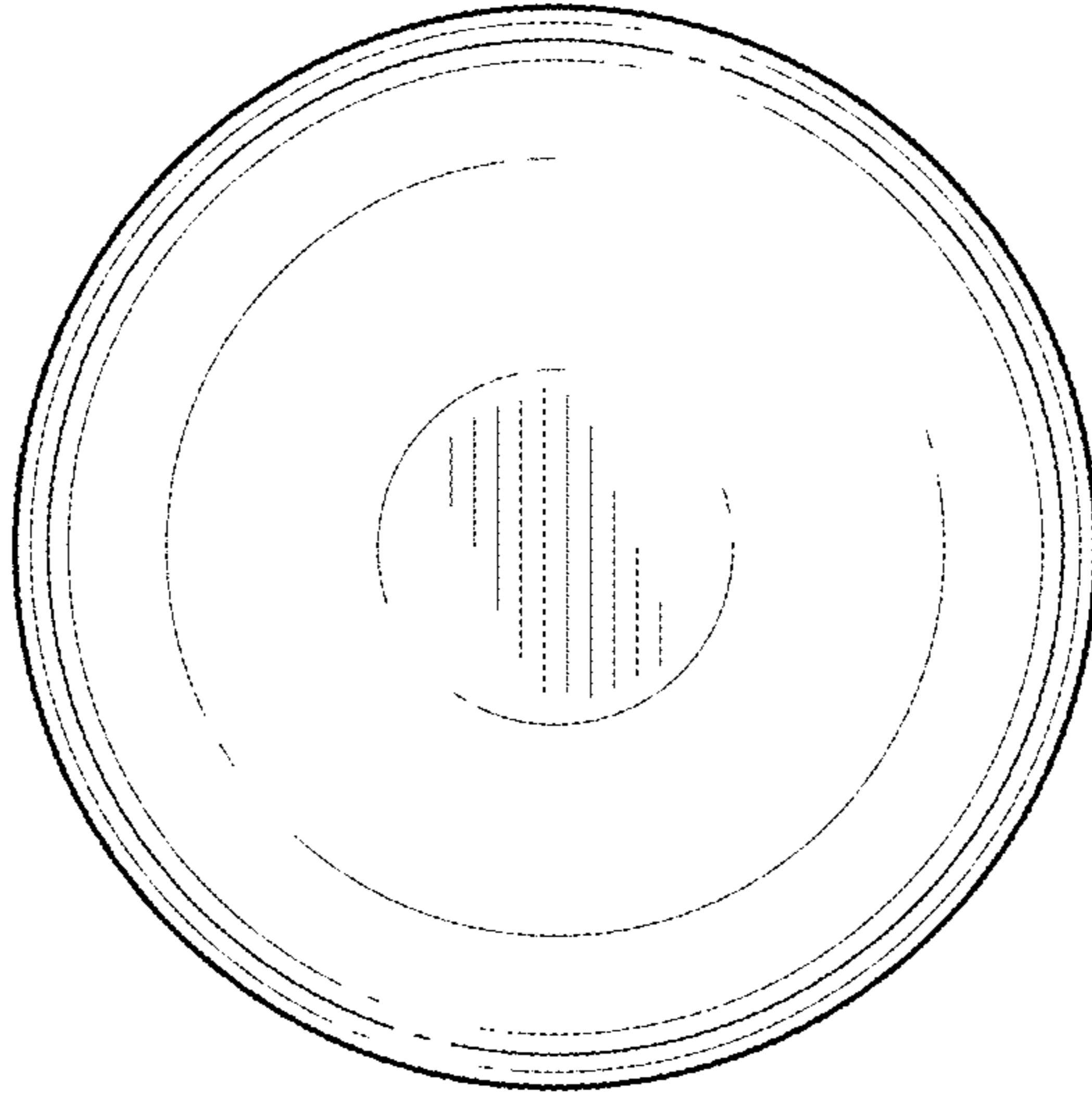
\* cited by examiner



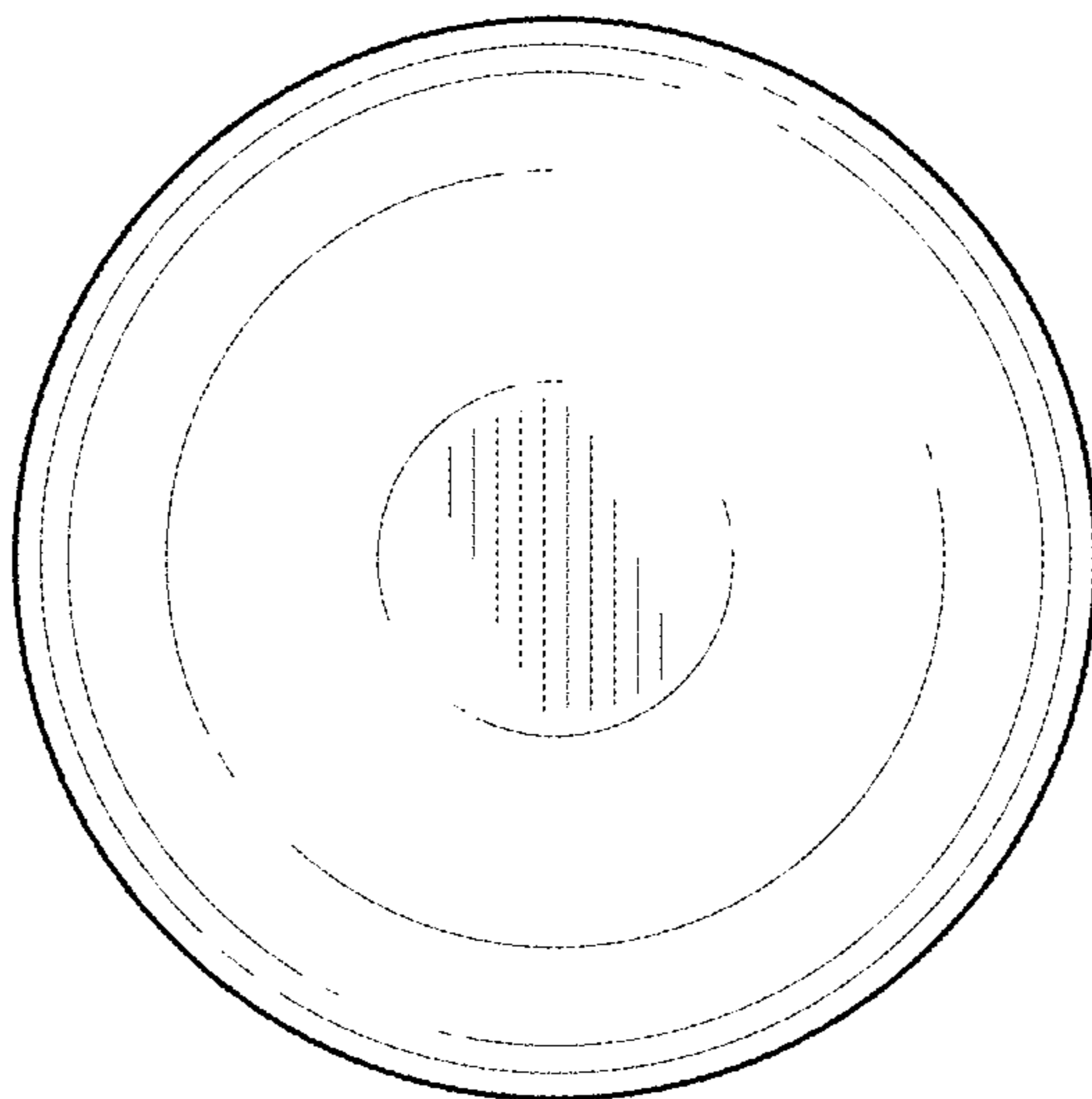
**FIG. 1**



**FIG. 2**



**FIG. 3**



**FIG. 4**