



US00D827746S

(12) **United States Design Patent**  
**Dolezel**

(10) **Patent No.:** **US D827,746 S**

(45) **Date of Patent:** **\*\* Sep. 4, 2018**

(54) **GOLF CLUB HEAD**

(71) Applicant: **DUNLOP SPORTS CO. LTD.**,  
Kobe-shi, Hyogo (JP)

(72) Inventor: **Keith F. Dolezel**, Covina, CA (US)

(73) Assignee: **DUNLOP SPORTS CO. LTD.**, Kobe  
(JP)

(\*\*) Term: **15 Years**

(21) Appl. No.: **29/607,002**

(22) Filed: **Jun. 9, 2017**

(51) **LOC (11) Cl.** ..... **21-02**

(52) **U.S. Cl.**  
USPC ..... **D21/759**

(58) **Field of Classification Search**  
USPC ..... D21/736-746, 759  
CPC ..... A63B 53/00; A63B 53/04; A63B 53/007;  
A63B 53/065; A63B 53/0487; A63B  
60/00; A63B 60/46

See application file for complete search history.

(56) **References Cited**

**U.S. PATENT DOCUMENTS**

|            |   |         |         |         |
|------------|---|---------|---------|---------|
| D228,930 S | * | 10/1973 | Leigh   | 473/255 |
| D291,343 S | * | 8/1987  | Shearer | D21/744 |
| D297,445 S | * | 8/1988  | Shearer | D21/743 |
| D297,446 S | * | 8/1988  | Shearer | D21/743 |

|             |   |         |           |                         |
|-------------|---|---------|-----------|-------------------------|
| D297,964 S  | * | 10/1988 | Shearer   | D21/743                 |
| D322,829 S  | * | 12/1991 | Antonious | D21/742                 |
| D325,950 S  | * | 5/1992  | Duran     | D21/744                 |
| 5,417,429 A | * | 5/1995  | Strand    | A63B 69/3685<br>473/251 |
| D360,669 S  | * | 7/1995  | Buscemi   | D21/743                 |
| D777,268 S  | * | 1/2017  | Becktor   | D21/742                 |
| D779,606 S  | * | 2/2017  | Becktor   | D21/742                 |
| D799,616 S  | * | 10/2017 | Becktor   | D21/742                 |
| D799,617 S  | * | 10/2017 | Becktor   | D21/742                 |
| D799,618 S  | * | 10/2017 | Becktor   | D21/759                 |
| D803,334 S  | * | 11/2017 | Becktor   | D21/742                 |

\* cited by examiner

*Primary Examiner* — Mitchell I. Siegel

(74) *Attorney, Agent, or Firm* — Oliff PLC

(57) **CLAIM**

The ornamental design for a golf club head, as shown and described.

**DESCRIPTION**

FIG. 1 is a top, heel-side, rear perspective view of the golf club head;

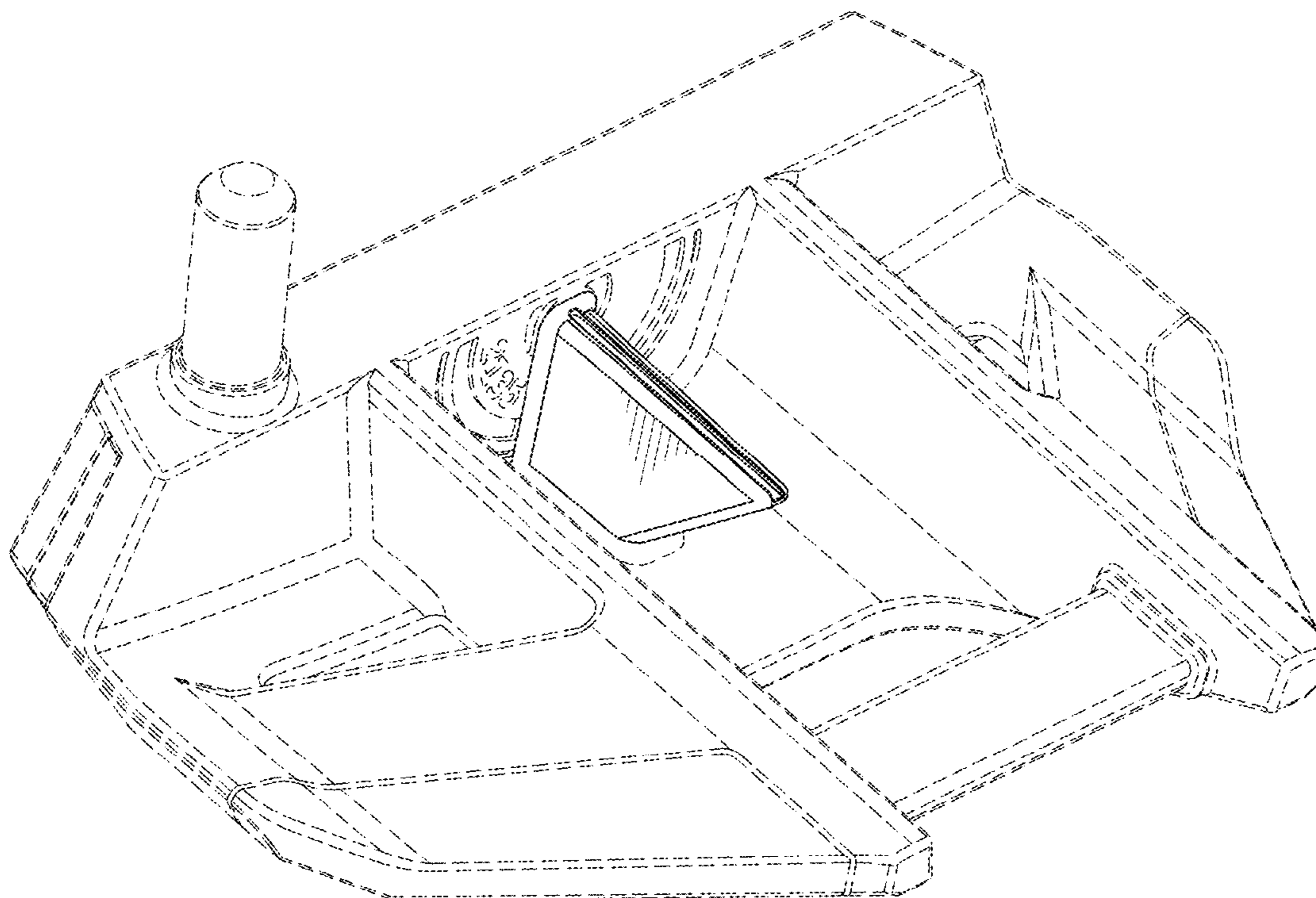
FIG. 2 is a top plan view thereof;

FIG. 3 is a rear elevational view thereof; and,

FIG. 4 is a top, heel-side, front perspective view thereof.

The broken lines depict unclaimed parts of the golf club head, and thus form no part of the claimed design.

**1 Claim, 3 Drawing Sheets**



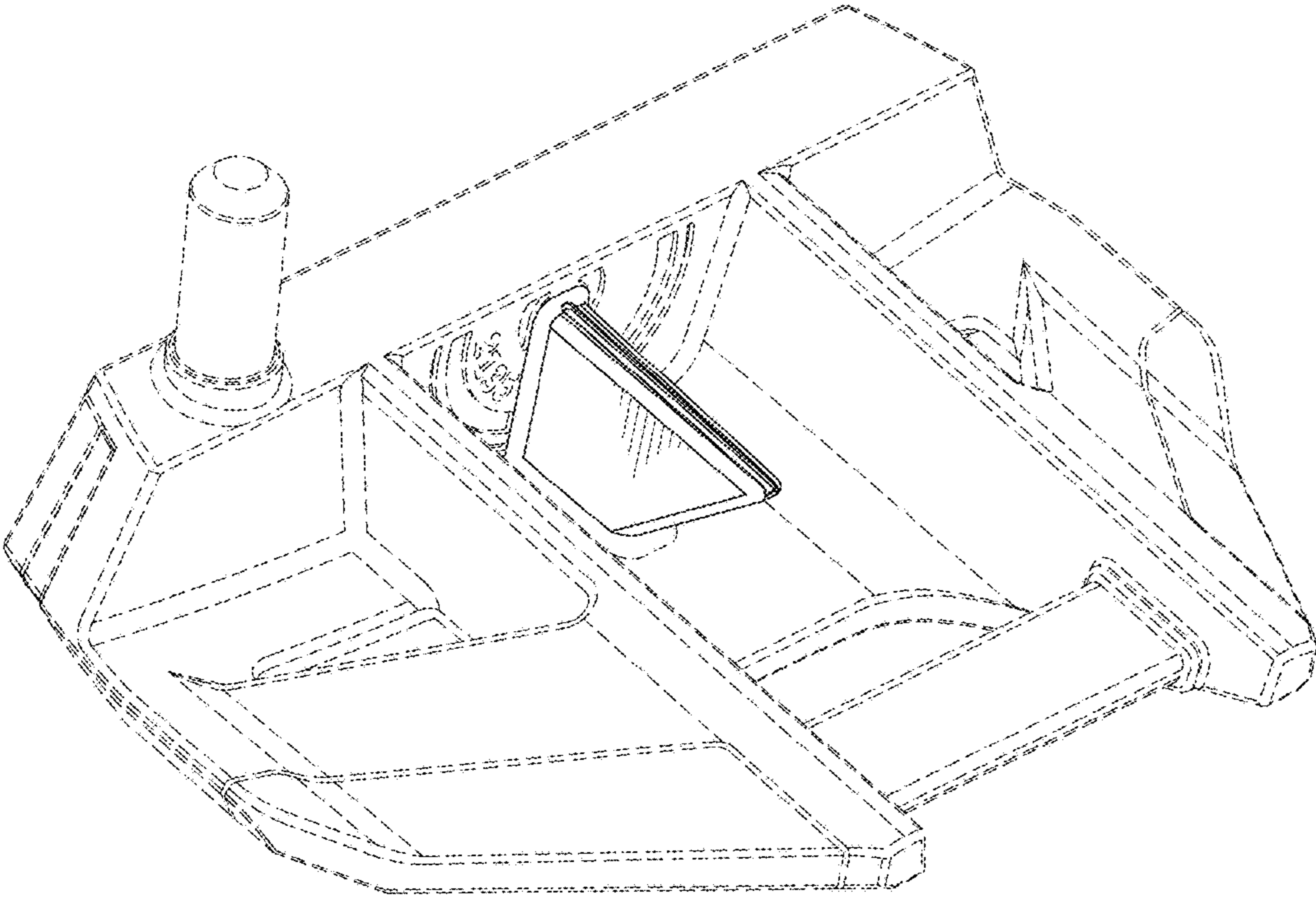


FIG. 1

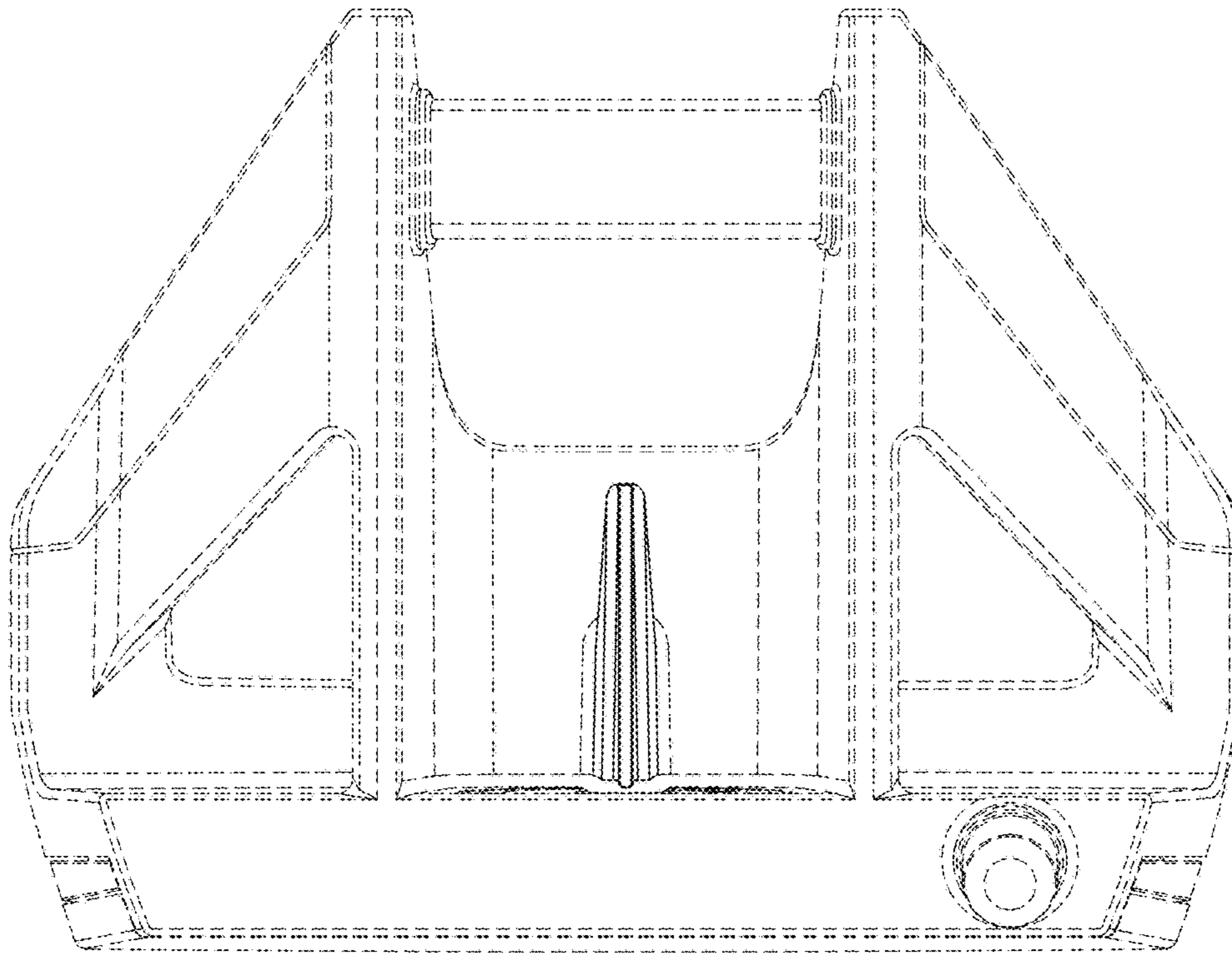


FIG. 2

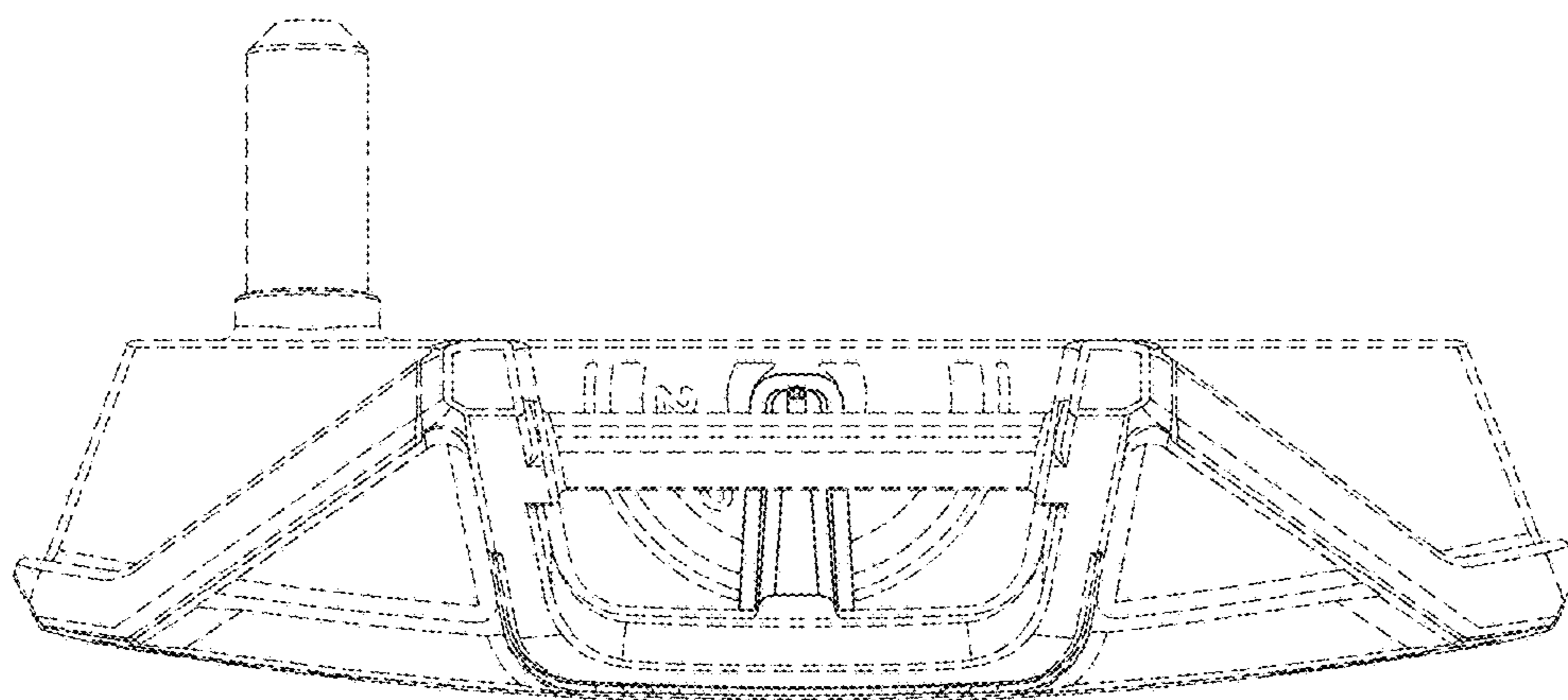


FIG. 3

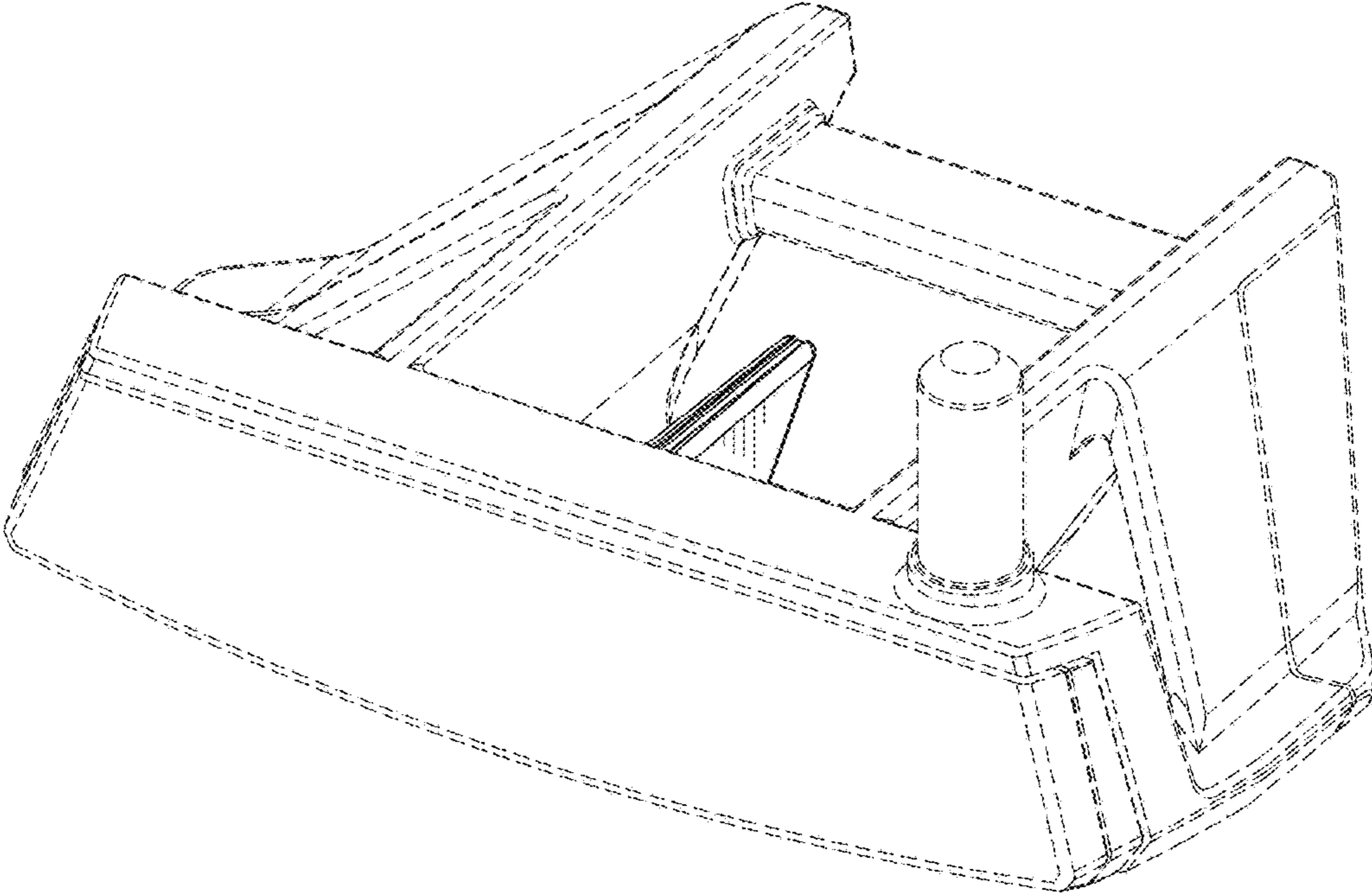


FIG. 4